

HONDA

GL 1200 A '84 ASPENCADE

GL 1200 I '84,'85 INTERSTATE

GL 1200 L '85 LIMITED EDITION

PARTS MANUAL

BEST VIEW 1024 BY 768 PIXELS

CDS ORDER

Catalog Title:

GL1200 '84 GL1200A '84,'85 GL1200I '84,'85 GL1200L '85

SERIAL NUMBERS

Models and applicable serial numbers

Models and applicable serial Nos. given in this parts catalog can be identified as follows
 Parts with types are exclusive for models destined for countries designated
 If no types are listed, parts are for common use

Model	Type	Unique Area	Applicable Engine Serial No.	Applicable Frame Serial No.	Applicable Carburetor Identification No.
GL1200'84	A	EXCEPT CALIFORNIA	SC14E-2400107 ~ 2416951	SC140*EA000101 ~ EA022728	VD53A(A)
	AC	CALIFORNIA	SC14E-2400107 ~ 2425411	SC143*EA010373 ~ EA022588	VD55A(A)
GL1200A'84	A	EXCEPT CALIFORNIA	SC14E-2400107 ~ 2436841	SC142*EA002273 ~ EA034452	VD53A(A)
	AC	CALIFORNIA	SC14E-2400107 ~ 2435673	SC145*EA010883 ~ EA033837	VD55A(A)
GL1200A'85	A	EXCEPT CALIFORNIA	SC14E-2500008 ~ 2527164	SC142*FA102502 ~ FA126301	VD53B(A)
	AC	CALIFORNIA	SC14E-2500207 ~ 2514354	SC145*FA100116 ~ FA114611	VD55B(A)
GL1200I'84	A	EXCEPT CALIFORNIA	SC14E-2400107 ~ 2436591	SC141*EA000118 ~ EA034654	VD53A(A)
	AC	CALIFORNIA	SC14E-2400107 ~ 2435133	SC144*EA010761 ~ EA032091	VD55A(A)
GL1200I'85	A	EXCEPT CALIFORNIA	SC14E-2500006 ~ 2525763	SC141*FA101553 ~ FA126181	VD53B(A)
	AC	CALIFORNIA	SC14E-2500025 ~ 2514675	SC144*FA100101 ~ FA101790	VD55B(A)
GL1200L'85	A	EXCEPT CALIFORNIA	SC14E-2500015 ~ 2526989	SC146*FA101976 ~ FA126016	
	AC	CALIFORNIA	SC14E-2503877 ~ 2518759	SC147*FA109309 ~ FA118618	

CONSTRUCTION OF VEHICLE IDENTIFICATION NUMBER (V.I.N.)

	<u>W M I</u>	<u>V D S</u>	.	<u>B</u>	<u>M</u>	<u>V I S</u>	<u>W M I</u>	<u>V D S</u>	<u>V I S</u>	
(Example)	J H 2	R C 0 4 0				2 0 0 0 0 1				
										World manufacturer identifier Vehicle descriptor section Vehicle indicator section

Sequential Production number

Plant representation

A	OHIO factory in U S A
B	AALST factory in BELGIUM
C	SAITAMA factory in JAPAN
D	GUADALAJARA factory in MEXICO
E	MONTESA factory in SPAIN
F	ATESSA factory in ITALY
K	KUMAMOTO factory in JAPAN
M	HAMAMATSU factory in JAPAN
R	MANAUS factory in BRAZIL
S	SUZUKA factory in JAPAN
T	TOCHIGI factory in JAPAN

Model year

(Example)

B 1981 C 1982 D 1983 X 1999

<Except I O Q U>

Check digit

This code is used to detect errors in the V I N and consists of a single-digit number (0-9) or a letter "X" It has no direct bearing upon the V D S and V I S

Vehicle description code

(Example) RC040 CB750F NC030 CB400T
Refer to SERIAL NUMBERS

Make and Type of vehicle

JH2	HONDA, Motorcycle (Manufactured in JAPAN)
1HF	HONDA, Motorcycle (Manufactured in U S A)
YC1	HONDA, Motorcycle (Manufactured in BELGIUM)
9C2	HONDA, Motorcycle (Manufactured in BRAZIL)
3H1	HONDA, Motorcycle (Manufactured in MEXICO)
VTM	HONDA, Motorcycle (Manufactured in SPAIN)
ZDC	HONDA, Motorcycle (Manufactured in ITALY)
JH3	HONDA, All terrain vehicle (Manufactured in JAPAN)
478	HONDA, All terrain vehicle (Manufactured in U S A)

Any change or modification of parts is directly related to the V D S and V I S

A V I S number will appear in the "Serial No " column of the Parts Catalog if a part is changed or modified

COMMENT

This example is generic and applies to 1981 and newer vehicles 1980 models and prior are referred to as "FRAME NUMBERS" and the construction is designed by using the model designation or code followed by a sequential number

COLOR TABLES

Color chart

- (WL) = Stripes and labels other than caution labels are included in parts whose part name end in (WL)
- (WOL) = Stripes and labels are not included in parts whose part name end in (WOL)

COLOR CODE TABLE (Color descriptions omitted from the main text of the catalog)

MODEL	GL1200 _e '84	
	COLOR	Black-Z
COLOR CODE	R-144C-U	NH-1-Z
BODY COMP., FRAME	NH-1	NH-1
COVER, R SIDE	R-114C-U	NH-1-Z
COVER, L SIDE	R-114C-U	NH-1-Z
FENDER, A, RR	R-114C-U	NH-1-Z
FENDER, FR	R-114C-U	NH-1-Z
FORK ASSY, RR	NH-1	NH-1
LID, SHELTER	R-114C-U	NH-1-Z
MARK, DRIVE CAUTION	A-73	A-73
SHELTER ASSY	R-114C-U	NH-1-Z
SHELTER, TOP	R-114C-U	NH-1-Z
STRIPE, R FR FENDER	TYPE 1	TYPE 3
STRIPE, L FR FENDER	TYPE 1	TYPE 3
STRIPE, R RR FENDER	TYPE 1	TYPE 3
STRIPE, L RR FENDER	TYPE 1	TYPE 3
STRIPE, SHELTER LID	TYPE 1	TYPE 3
STRIPE, R SIDE COVER	TYPE 1	TYPE 3
STRIPE, L SIDE COVER	TYPE 1	TYPE 3
STRIPE, R SIDE SHELTER	TYPE 1	TYPE 3
STRIPE, L SIDE SHELTER	TYPE 1	TYPE 3
STRIPE, TOP SHELTER	TYPE 1	TYPE 3
SUB FRAME COMP	NH-1	NH-1

Note: When applicable 'From' and 'To' followed by a Serial Number in the Description column indicates the application range when present, 'A/C' followed by a code indicates the Area Code

COLOR TABLES

MODEL	GL1200 _E '84		
		Pearl Siren Blue-A	Senior Gray Metallic Senior Gray Metallic
COLOR CODE	R-144C-U	PB-123P-A	NH-136M-U
BAR, UNDER COWL CROSS	R-114C-U	PB-123P-A	NH-136M-U
BODY COMP FRAME	NH-1	NH-1	NH-1
COVER R SIDE	R-114C-U	PB-123P-A	NH-136M-U
COVER L SIDE	R-114C-U	PB-123P-A	NH-136M-U
COVER TRUNK LOWER	R-114C-U	PB-123P-A	NH-136M-U
COWL COMP R UNDER	R-114C-U	PB-123P-A	NH-136M-U
COWL COMP L UNDER	R-114C-U	PB-123P-A	NH-136M-U
FAIRING COMP	R-114C-U	PB-123P-A	NH-136M-U
FENDER A MIDDLE	R-114C-U	PB-123P-A	NH-136M-U
FENDER A RR	R-114C-U	PB-123P-A	NH-136M-U
FENDER FR	R-114C-U	PB-123P-A	NH-136M-U
FORK ASSY, RR	NH-1	NH-1	NH-1
GRILLE FR	R-114C-U	PB-123P-A	NH-136M-U
GUIDE, R UNDER COWL AIR	R-114C-U	PB-123P-A	NH-136M-U
GUIDE L UNDER COWL AIR	R-114C-U	PB-123P-A	NH-136M-U
LID SHELTER	R-114C-U	PB-123P-A	NH-136M-U
MARK DRIVE CAUTION	A-73	A-73	A-73
MOULDING R COWL TRIM	R-114C-U	PB-123P-A	NH-136M-J
MOULDING L COWL TRIM	R-114C-U	PB-123P-A	NH-136M-J
SADDLEBAG ASSY R LOWER	R-114C-U	PB-123P-A	NH-136M-J
SADDLEBAG ASSY L LOWER	R-114C-U	PB-123P-A	NH-136M-J
SADDLEBAG ASSY R UPPER	R-114C-U	PB-123P-A	NH-136M-J
SADDLEBAG ASSY L UPPER	R-114C-U	PB-123P-A	NH-136M-U
SADDLEBAG COMP P LOWER	R-114C-U	PB-123P-A	NH-136M-J
SADDLEBAG COMP L LOWER	R-114C-U	PB-123P-A	NH-136M-U
SEAT COMP BACK	TYPE 1	TYPE 2	TYPE 2

(Continued)

Catalog Title:

GL1200 '84 GL1200A '84,'85 GL1200I '84,'85 GL1200L '85

COLOR TABLES

MODEL	GL1200I, '85		
	R-114	NH-144	PB-142
COLOR LABEL	Candy Wineberry Red-U	Starshine Silver Metallic	Telstar Blue Metallic Telstar Blue Metallic
COLOR			
COLOR CODE	R-114C-U	NH-144M	PB-142M
SEAT COMP., DOUBLE	TYPE 1	TYPE 3	TYPE 3
SHELTER ASSY	R-114C-U	NH-114M	PB-142M
SHELTER COMP. TOP	R-114C-U	NH-114M	PB-142M
SHELTER, R. SIDE	R-114C-U	NH-114M	PB-142M
SHELTER, L. SIDE	R-114C-U	NH-114M	PB-142M
STRIPE, R. FAIRING OUTER	TYPE 1	TYPE 2	TYPE 3
STRIPE, L. FAIRING OUTER	TYPE 1	TYPE 2	TYPE 3
STRIPE, R. FR. FENDER	TYPE 1	TYPE 2	TYPE 3
STRIPE, L. FR. FENDER	TYPE 1	TYPE 2	TYPE 3
STRIPE, RR. TRUNK	TYPE 1	TYPE 2	TYPE 3
STRIPE, R. SADDLEBAG	TYPE 1	TYPE 2	TYPE 3
STRIPE, L. SADDLEBAG	TYPE 1	TYPE 2	TYPE 3
STRIPE, SHELTER LID	TYPE 1	TYPE 2	TYPE 3
STRIPE, R. SIDE COVER	TYPE 1	TYPE 2	TYPE 3
STRIPE, L. SIDE COVER	TYPE 1	TYPE 2	TYPE 3
STRIPE, TOP SHELTER	TYPE 1	TYPE 2	TYPE 3
TRUNK ASSY., LOWER	R-114C-U	NH-114M	PB-142M
TRUNK ASSY., UPPER	R-114C-U	NH-114M	PB-142M
TRUNK, UPPER	R-114C-U	NH-114M	PB-142M

Note: When applicable, "From" and "To" followed by a Serial Number in the Description column indicates the application range when present, "A/C" followed by a code indicates the Area Code.

COLOR TABLES

MODEL	GL1200A _E '84		
	Pearl Saturn Red	Premium Beige Metallic	Pearl Siren Blue-A Pearl Siren Blue-A
COLOR			
COLOR CODE	R-128P-A	YR-123M-U	PB-123P-A
ARMREST ASSY R	TYPE 1	TYPE 2	TYPE 3
ARMREST ASSY L	TYPE 1	TYPE 2	TYPE 3
BAR, UNDER COWL CROSS	R-128P-A	YR-123M-U	PB123P-A
BODY COMP FRAME	NH-1	NH-1	NH-1
COVER, R. SIDE	R-128P-A	YR-123M-U	PB123P-A
COVER, L. SIDE	R-128P-A	YR-123M-U	PB123P-A
COVER, TRUNK LOWER	R-128P-A	YR-123M-U	PB123P-A
COWL COMP., R UNDER	R-128P-A	YR-123M-U	PB123P-A
COWL COMP., L UNDER	R-128P-A	YR-123M-U	PB123P-A
FAIRING COMP	R-128P-A	YR-123M-U	PB123P-A
FENDER A MIDDLE	R-128P-A	YR-123M-U	PB123P-A
FENDER A RR	R-128P-A	YR-123M-U	PB123P-A
FENDER, FR	R-128P-A	YR-123M-U	PB123P-A
FORK ASSY RR	NH-1	NH-1	NH-1
GRILLE, FR	R-128P-A	YR-123M-U	PB123P-A
GUIDE, R UNDER COWL AIR	R-128P-A	YR-123M-U	PB123P-A
GUIDE, L UNDER COWL AIR	R-128P-A	YR-123M-U	PB123P-A
LID SHELTER	R-128P-A	YR-123M-U	PB123P-A
MARK DRIVE CAUTION	A-73	A-73	A-73
MOULDING R COWL TRIM	R-128P-A	YR-123M-U	PB123P-A
MOULDING L COWL TRIM	R-128P-A	YR-123M-U	PB123P-A
SADDLEBAG ASSY R LOWER	R-128P-A	YR-123M-U	PB123P-A
SADDLEBAG ASSY L LOWER	R-128P-A	YR-123M-U	PB123P-A
SADDLEBAG ASSY R UPPER	R-128P-A	YR-123M-U	PB123P-A
SADDLEBAG ASSY L UPPER	R-128P-A	YR-123M-U	PB123P-A
SADDLEBAG COMP R LOWER	R-128P-A	YR-123M-U	PB123P-A

(Continued)

Catalog Title:

GL1200 '84 GL1200A '84,'85 GL1200I '84,'85 GL1200L '85

COLOR TABLES

MODEL	GL1200A, '85		
	R-137K	PB-140H	YR-125N
COLOR LABEL			
COLOR	Pearl Vintage Red	Satellite Blue Metallic	Sandy Beige Metallic Sandy Beige Metallic
COLOR CODE	R-137P-A	PB-140M	YR-125M
SADDLEBAG ASSY, L UPPER	R-114C-U	NH-114M	PB-142M
SADDLEBAG COMP, R LOWER	R-114C-U	NH-114M	PB-142M
SADDLEBAG COMP, L LOWER	R-114C-U	NH-114M	PB-142M
SEAT COMP BACK	TYPE 1	TYPE 3	TYPE 3
SEAT COMP, DOUBLE	TYPE 1	TYPE 3	TYPE 3
SHELTER ASSY	R-114C-U	NH-114M	PB-142M
SHELTER COMP TOP	R-114C-U	NH-114M	PB-142M
SHELTER, R SIDE	R-114C-U	NH-114M	PB-142M
SHELTER, L SIDE	R-114C-U	NH-114M	PB-142M
STRIPE R FAIRING OUTER	TYPE 1	TYPE 2	TYPE 3
STRIPE, L FAIRING OUTER	TYPE 1	TYPE 2	TYPE 3
STRIPE, R FR FENDER	TYPE 1	TYPE 2	TYPE 3
STRIPE, RR TRUNK	TYPE 1	TYPE 2	TYPE 3
STRIPE, R SADDLEBAG	TYPE 1	TYPE 2	TYPE 3
STRIPE L SADDLEBAG	TYPE 1	TYPE 2	TYPE 3
STRIPE SHELTER I/D	TYPE 1	TYPE 2	TYPE 3
STRIPE R SIDE COVER	TYPE 1	TYPE 2	TYPE 3
STRIPE L SIDE COVER	TYPE 1	TYPE 2	TYPE 3
STRIPE, TOP SHELTER	TYPE 1	TYPE 2	TYPE 3
TRUNK ASSY, LOWER	R-114C-U	NH-114M	PB-142M
TRUNK COMP UPPER	R-114C-U	NH-114M	PB-142M
TRUNK UPPER	R-114C-U	NH-114M	PB-142M

Note When applicable, "From" and "To" followed by a Serial Number in the Description column indicates the application range when present, "A/C" followed by a code indicates the Area Code

COLOR TABLES

MODEL	GL1200I, '85		
	R-114	NH-144	PB-142
COLOR LABEL	Candy Wineberry Red-U	Starshine Silver Metallic	Telstar Blue Metallic Telstar Blue Metallic
COLOR CODE	R-114C-U	NH-144M	PB-142M
BAR, UNDER COWL CROSS	R-114C-U	NH-114M	PB-142M
COVER, R SIDE	R-114C-U	NH-114M	PB-142M
COVER, L SIDE	R-114C-U	NH-114M	PB-142M
COVER, TRUNK LOWER	R-114C-U	NH-114M	PB-142M
COWL COMP, R UNDER	R-114C-U	NH-114M	PB-142M
COWL COMP, L UNDER	R-114C-U	NH-114M	PB-142M
FAIRING COMP	R-114C-U	NH-114M	PB-142M
FENDER A, MIDDLE	R-114C-U	NH-114M	PB-142M
FENDER A, RR	R-114C-U	NH-114M	PB-142M
FENDER, FR	R-114C-U	NH-114M	PB-142M
FORK ASSY, RR	NH-1	NH-1	NH-1
GRILLE, FR	R-114C-U	NH-114M	PB-142M
GUIDE, R UNDER COWL AIR	R-114C-U	NH-114M	PB-142M
GUIDE, L UNDER COWL AIR	R-114C-U	NH-114M	PB-142M
LID, SHELTER	R-114C-U	NH-114M	PB-142M
MARK, DRIVE CAUTION	A-73	A-73	A-73
MOULDING, R COWL TRIM	R-114C-U	NH-114M	PB-142M
MOULDING, L COWL TRIM	R-114C-U	NH-114M	PB-142M
SADDLEBAG ASSY, R LOWER	R-114C-U	NH-114M	PB-142M
SADDLEBAG ASSY, L LOWER	R-114C-U	NH-114M	PB-142M
SADDLEBAG ASSY, R UPPER	R-114C-U	NH-114M	PB-142M
SADDLEBAG ASSY, L UPPER	R-114C-U	NH-114M	PB-142M
SADDLEBAG COMP, R LOWER	R-114C-U	NH-114M	PB-142M
SADDLEBAG COMP, L LOWER	R-114C-U	NH-114M	PB-142M
SEAT COMP, BACK	TYPE 1	TYPE 3	TYPE 3

(Continued)

Catalog Title:

GL1200 '84 GL1200A '84,'85 GL1200I '84,'85 GL1200L '85

COLOR TABLES

MODEL	GL1200I '84		
		Pearl Siren Blue-A	Senior Gray Metallic Senior Gray Metallic
COLOR			
COLOR CODE	R-144C-U	PB-123P-A	NH-136M-U
SEAT COMP. DOUBLE	TYPE 1	TYPE 2	TYPE 2
SHELTER ASSY	R-114C-U	PB-123P-A	NH-136M-U
SHELTER, R. SIDE	R-114C-U	PB-123P-A	NH-136M-U
SHELTER, L. SIDE	R-114C-U	PB-123P-A	NH-136M-U
SHELTER, TOP	R-114C-U	PB-123P-A	NH-136M-U
STRIPE, R. FAIRING	TYPE 1	TYPE 2	TYPE 4
STRIPE, L. FAIRING	TYPE 1	TYPE 2	TYPE 4
STRIPE, R. FR. FENDER	TYPE 1	TYPE 2	TYPE 4
STRIPE, L. FR. FENDER	TYPE 1	TYPE 2	TYPE 4
STRIPE, RR. TRUNK	TYPE 1	TYPE 2	TYPE 4
STRIPE, R. SADDLEBAG	TYPE 1	TYPE 2	TYPE 4
STRIPE, L. SADDLEBAG	TYPE 1	TYPE 2	TYPE 4
STRIPE, SHELTER LID	TYPE 1	TYPE 2	TYPE 4
STRIPE, R. SIDE COVER	TYPE 1	TYPE 2	TYPE 4
STRIPE, L. SIDE COVER	TYPE 1	TYPE 2	TYPE 4
STRIPE, TOP SHELTER	TYPE 1	TYPE 2	TYPE 4
SUB FRAME COMP	NH-1	NH-1	NH-1
TRUNK ASSY, LOWER	R-114C-U	PB-123P-A	NH-136M-U
TRUNK ASSY, UPPER	R-114C-U	PB-123P-A	NH-136M-U
TRUNK UPPER	R-114C-U	PB-123P-A	NH-136M-L

Note: When applicable, "From" and "To" followed by a Serial Number in the Description column indicates the application range when present. "A/C" followed by a code indicates the Area Code.

COLOR TABLES

MODEL	GL1200A, '85		
COLOR LABEL	R-137K	PB-140H	YR-125N
COLOR	Pearl Vintage Red	Satellite Blue Metallic	Sandy Beige Metallic Sandy Beige Metallic
COLOR CODE	R-137P-A	PB-140M	YR-125M
ARMREST ASSY, R	TYPE 1	TYPE 3	TYPE 2
ARMREST ASSY, L	TYPE 1	TYPE 3	TYPE 2
BAG, SADDLEBAG INNER	TYPE 1	TYPE 2	TYPE 1
BAG, TRUNK INNER	TYPE 1	TYPE 2	TYPE 1
BAR UNDER COWL CROSS	R-114C-L	NH-114M	PB-142M
COVER, R SIDE	R-114C-L	NH-114M	PB-142M
COVER, L SIDE	R-114C-L	NH-114M	PB-142M
COVER, TRUNK LOWER	R-114C-U	NH-114M	PB-142M
COWL COMP, R UNDER	R-114C-U	NH-114M	PB-142M
COWL COMP, L UNDER	R-114C-U	NH-114M	PB-142M
FAIRING COMP	R-114C-U	NH-114M	PB-142M
FENDER A, MIDDLE	R-114C-U	NH-114M	PB-142M
FENDER A, RR	R-114C-U	NH-114M	PB-142M
FENDER, FR	R-114C-U	NH-114M	PB-142M
FORK ASSY, RR	NH-1	NH-1	NH-1
GRILLE, FR	R-114C-U	NH-114M	PB-142M
GUIDE, R UNDER COWL AIR	R-114C-U	NH-114M	PB-142M
GUIDE, L UNDER COWL AIR	R-114C-U	NH-114M	PB-142M
LID, SHELTER	R-114C-L	NH-114M	PB-142M
MARK, DRIVE CAUTION	A-73	A-73	A-73
MOULDING, R COWL TRIM	R-114C-U	NH-114M	PB-142M
MOULDING, L COWL TRIM	R-114C-U	NH-114M	PB-142M
SADDLEBAG ASSY, R LOWER	R-114C-U	NH-114M	PB-142M
SADDLEBAG ASSY, L LOWER	R-114C-U	NH-114M	PB-142M
SADDLEBAG ASSY, R UPPER	R-114C-U	NH-114M	PB-142M

(Continued)

Catalog Title:

GL1200 '84 GL1200A '84,'85 GL1200I '84,'85 GL1200L '85

COLOR TABLES

MODEL	GL1200A _E '84		
	Pearl Saturn Red	Premium Beige Metallic	Pearl Siren Blue-A Pearl Siren Blue-A
COLOR CODE	R-128P-A	YR-123M-U	PB-123P-A
SADDLEBAG COMP., L. LOWER	R-128P-A	YR-123M-U	PB123P-A
SEAT COMP., BACK	TYPE 1	TYPE 1	TYPE 2
SEAT COMP., DOUBLE	TYPE 1	TYPE 1	TYPE 2
SHELTER ASSY	R-128P-A	YR-123M-U	PB123P-A
SHELTER, R. SIDE	R-128P-A	YR-123M-U	PB123P-A
SHELTER, L. SIDE	R-128P-A	YR-123M-U	PB123P-A
SHELTER, TOP	R-128P-A	YR-123M-U	PB123P-A
STRIPE, R. FAIRING	TYPE 1	TYPE 2	TYPE 3
STRIPE, L. FAIRING	TYPE 1	TYPE 2	TYPE 3
STRIPE, FR. FENDER	TYPE 1	TYPE 2	TYPE 3
STRIPE, RR. TRUNK	TYPE 1	TYPE 2	TYPE 3
STRIPE, R. SADDLEBAG	TYPE 1	TYPE 2	TYPE 3
STRIPE, L. SADDLEBAG	TYPE 1	TYPE 2	TYPE 3
STRIPE, SHELTER LID	TYPE 1	TYPE 2	TYPE 3
STRIPE, R. SIDE COVER	TYPE 1	TYPE 2	TYPE 3
STRIPE, L. SIDE COVER	TYPE 1	TYPE 2	TYPE 3
STRIPE, TOP SHELTER	TYPE 1	TYPE 2	TYPE 3
SUB FRAME COMP	NH-1	NH-1	NH-1
TRUNK ASSY., LOWER	R-128P-A	YR-123M-U	PB123P-A
TRUNK ASSY., UPPER	R-128P-A	YR-123M-U	PB123P-A
TRUNK UPPER	R-128P-A	YR-123M-U	PB123P-A

Note: When applicable, 'From' and 'To' followed by a Serial Number in the Description column indicates the application range when present; 'A/C' followed by a code indicates the Area Code.

Catalog Title:

GL1200 '84 GL1200A '84,'85 GL1200I '84,'85 GL1200L '85

COLOR TABLES

MODEL	GL1200L '85
COLOR LABEL	YR-126N
COLOR	Sun Flash Gold Metallic
COLOR CODE	YR-126M
BAR UNDER COWL CROSS	YR-126M
COVER INNER UNDER COWL	YR-126M
COVER R SIDE	YR-126M
COVER L SIDE	YR-126M
COVER TRUNK LOWER	YR-126M
COWL R UNDER	YR-126M
COWL L UNDER	YR-126M
FAIRING COMP	YR-126M
FENDER A LOWER	YR-126M
FENDER A MIDDLE	YR-126M
FENDER A RR	YR-126M
FENDER FR	YR-126M
GRILLE FR	YR-126M
GUARD SADDLEBAG MOULDING	YR-126M
LID SHELTER	YR-126M
MARK DRIVE CAUTION	NH-1
MOULDING R COWL TRIM	YR-126M
MOULDING L COWL TRIM	YR-126M
SADDLEBAG ASSY R UPPER	YR-126M
SADDLEBAG ASSY L UPPER	YR-126M
SADDLEBAG COMP R LOWER	YR-126M
SADDLEBAG COMP L LOWER	YR-126M
SADDLEBAG SET R LOWER	YR-126M
SADDLEBAG SET L LOWER	YR-126M
SHELTER ASSY	YR-126M

(Continued)

Catalog Title:

GL1200 '84 GL1200A '84,'85 GL1200I '84,'85 GL1200L '85

COLOR TABLES

MODEL	GL1200L, '85
COLOR LABEL	YR-126N
COLOR	Sun Flash Gold Metallic
COLOR CODE	YR-126M
SHELTER, R SIDE	YR-126M
SHELTER, L SIDE	YR-126M
STRIPE, R FAIRING OUTER	TYPE 1
STRIPE, L FAIRING OUTER	TYPE 1
STRIPE, FR FENDER	TYPE 1
STRIPE, RR TRUNK	TYPE 1
STRIPE, R, RR TRUNK SIDE	TYPE 1
STRIPE, L, RR TRUNK SIDE	TYPE 1
STRIPE, R SADDIEBAG	TYPE 1
STRIPE, L SADDIEBAG	TYPE 1
STRIPE, SHELTER LID	TYPE 1
STRIPE, R SIDE COVER	TYPE 1
STRIPE, L SIDE COVER	TYPE 1
STRIPE, R SIDE SHELTER	TYPE 1
STRIPE, L SIDE SHELTER	TYPE 1
TRUNK ASSY, LOWER	YR-126M
TRUNK SET, UPPER	YR-126M
TRUNK, UPPER	YR-126M

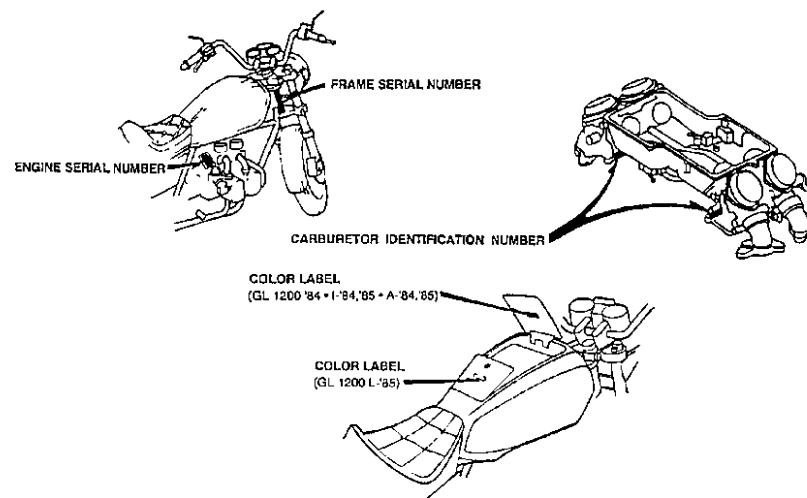
Note: When applicable, From and To, followed by a Serial Number in the Description column, indicates the application range when present. A/C, followed by a code indicates the Area Code.

Catalog Title:

GL1200 '84 GL1200A '84,'85 GL1200I '84,'85 GL1200L '85

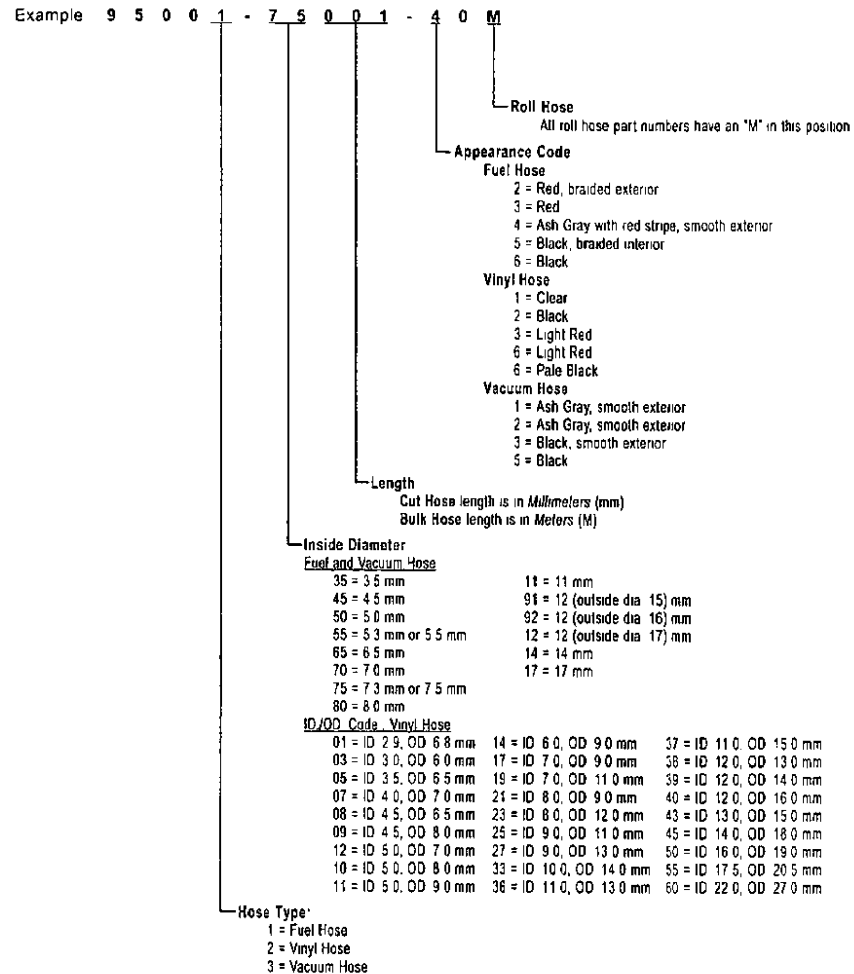
MANUALS

DESCRIPTION	PART NUMBER	H/C
GL1200'84 GOLD WING, GL1200L'85 LIMITED MICROFICHE	14MG9EM	4419172

Location of stamped serial number

BULK HOSE

Construction of Fuel and Vacuum Hose Part Number



CAUTION: Never use vacuum / or vinyl hose in place of fuel hose or vice versa

Catalog Title:

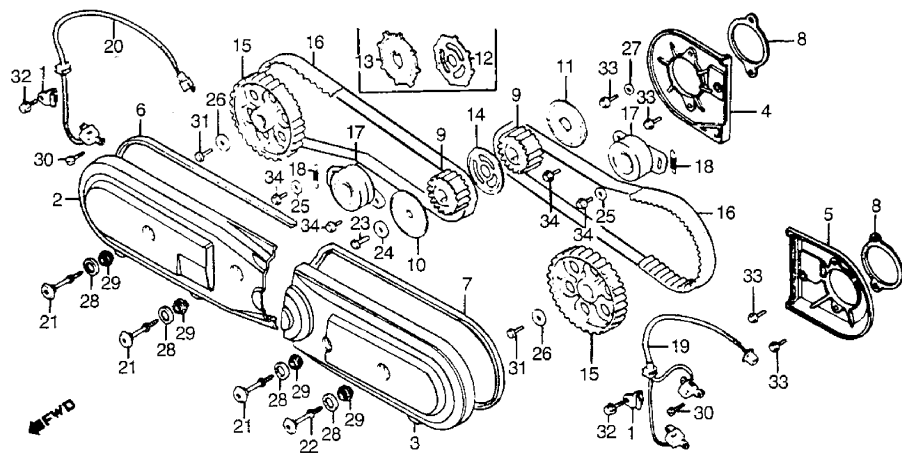
GL1200 '84 GL1200A '84,'85 GL1200I '84,'85 GL1200L '85

Block No.

E 01

Block Title:

FRONT COVER / TIMING BELT



Ref. No.	Part No.	Description
1	11141-MG9-680	CLAMP '85 ALL MODELS
2	11511-MG9-000	COVER, R. FR. '84 ALL MODELS
2	11511-MG9-680	COVER, R. FR. '85 ALL MODELS
3	11521-MG9-000	COVER, L. FR. '84 ALL MODELS
3	11521-MG9-680	COVER, L. FR. '85 ALL MODELS
4	11541-MG9-000	COVER, R.'85 ALL
5	11542-MG9-000	COVER, L. '84 ALL
5	11542-MG9-680	COVER COMP., L.'85 ALL
6	11831-MG9-000	GASKET, R. FR. COVER '84 ALL
6	11831-MG9-680	GASKET, R. FR. COVER '85 ALL
7	11832-MG9-000	GASKET, L. FR. COVER '84 ALL
7	11832-MG9-680	GASKET, L. FR. COVER '85 ALL
8	12391-MG9-000	GASKET, SEALED COVER
8	12391-MG9-306	GASKET, SEALED COVER
9	13621-657-000	PULLEY
10	13622-463-000	PLATE
11	13622-657-000	PLATE A
12	13623-MG9-680	PLATE B '85 A,I
13	13623-MG9-950	PLATE B '85L
14	13623-371-000	PLATE B '84 ALL
15	14211-PC1-000	PULLEY
16	14400-MG9-004	BELT, TIMING
17	14510-MG9-008	ADJ, TIMING BELT
18	14516-371-000	SPRING
19	30300-MG9-681	ALTERNATOR, PULSE '85 A,I

Catalog Title:

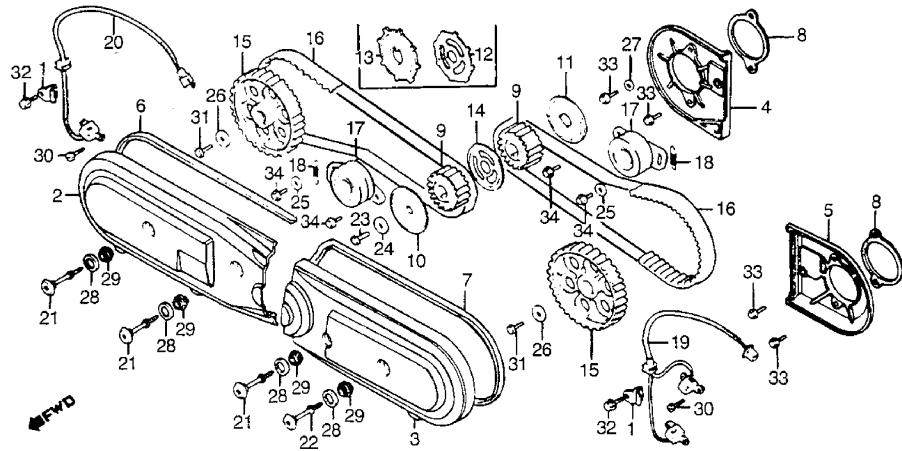
GL1200 '84 GL1200A '84,'85 GL1200I '84,'85 GL1200L '85

Block No.

E 01

Block Title:

FRONT COVER / TIMING BELT



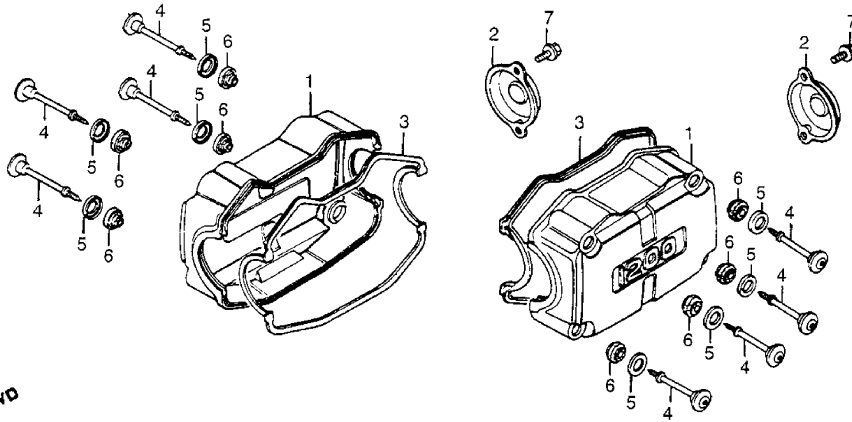
Ref. No.	Part No.	Description
19	30300-ML8-680	ALTERNATOR, PULSE '85 A,I
20	30300-MG9-951	ALTERNATOR, PULSE '85L
21	90016-MG9-000	BOLT, SPECIAL (6X45)
22	90019-MG9-000	BOLT, SPECIAL (6X58)
23	90021-463-000	BOLT, PULLEY (12X28)
24	90401-371-000	WASHER (12.2X33X3.2)
25	90406-371-000	WASHER (8MM)
26	90435-611-000	WASHER (28X8.5X4.0)
27	90442-397-000	WASHER (6MM) '84 ALL MODELS
28	90541-MB0-000	WASHER
29	90542-MB0-000	RUBBER, SETTING
30	92000-05014-0A	BOLT, HEX. (5X14) '85 ALL MODELS
30	92101-05014-0A	BOLT, HEX. (5X14) '85 ALL MODELS
31	92000-08022-0A	BOLT, HEX. (8X22)
31	92101-08022-0A	BOLT, HEX. (8X22)
32	95700-06012-00	BOLT, FLANGE (6X12) '85 ALL MODELS
32	95701-06012-00	BOLT, FLANGE (6X12) '85 ALL
33	95700-06018-00	BOLT, FLANGE (6X18)
34	95700-08022-00	BOLT, FLANGE (8X22)
34	95701-08022-00	BOLT, FLANGE (8X22)

Catalog Title:
GL1200 '84 GL1200A '84,'85 GL1200I '84,'85 GL1200L '85

Block No.
E 02

Block Title:
CYLINDER HEAD COVER

Ref. No.	Part No.	Description
1	12311-MG9-000	COVER, CYLINDER HEAD
2	12317-MG9-000	COVER, RR. CYL HD
3	12328-MG9-000	GASKET, HEAD COVER
4	90018-MG9-000	BOLT (6X67.5)
5	90541-MB0-000	WASHER
6	90542-MB0-000	RUBBER, SETTING
7	96000-06010-02	BOLT, FLANGE (6X10)
7	96001-06010-02	BOLT, FLANGE (6X10)



Catalog Title:

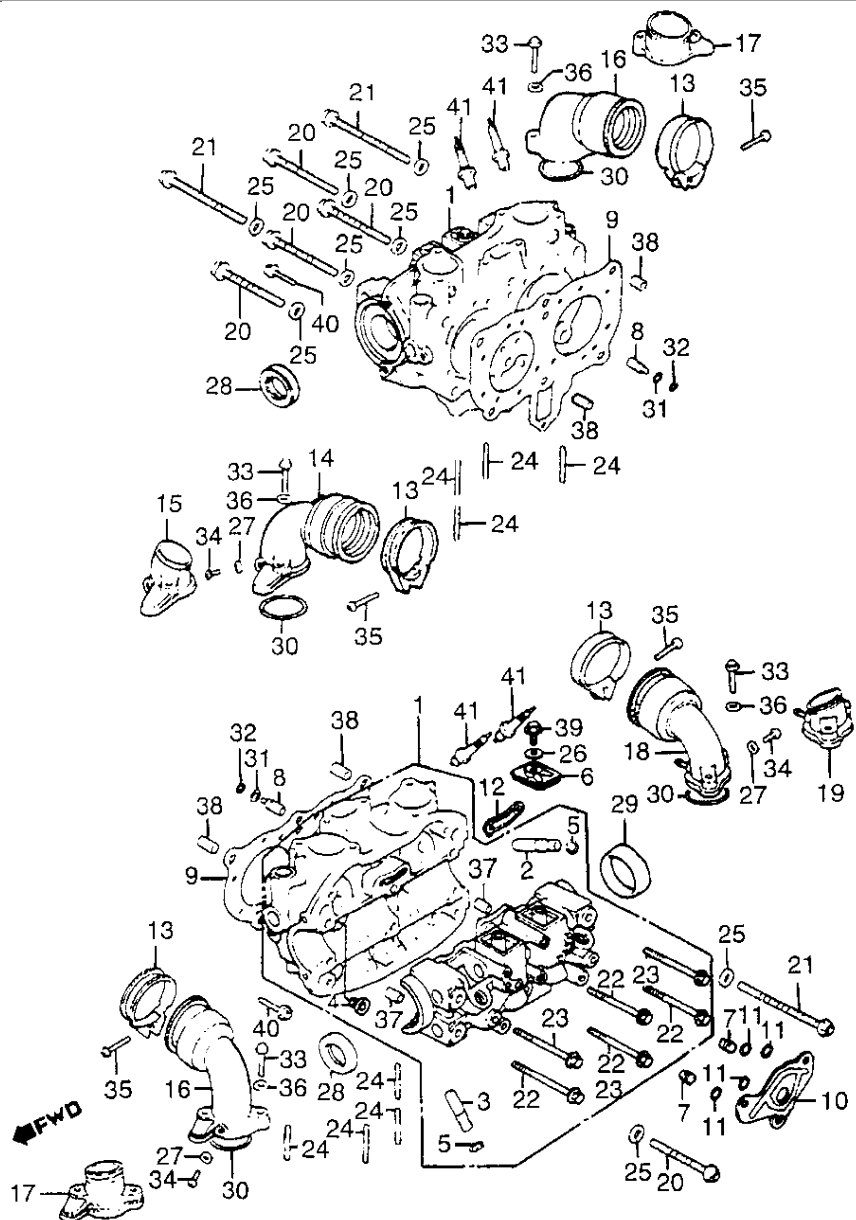
GL1200 '84 GL1200A '84,'85 GL1200I '84,'85 GL1200L '85

Block No.

E 03

Block Title:

CYLINDER HEAD

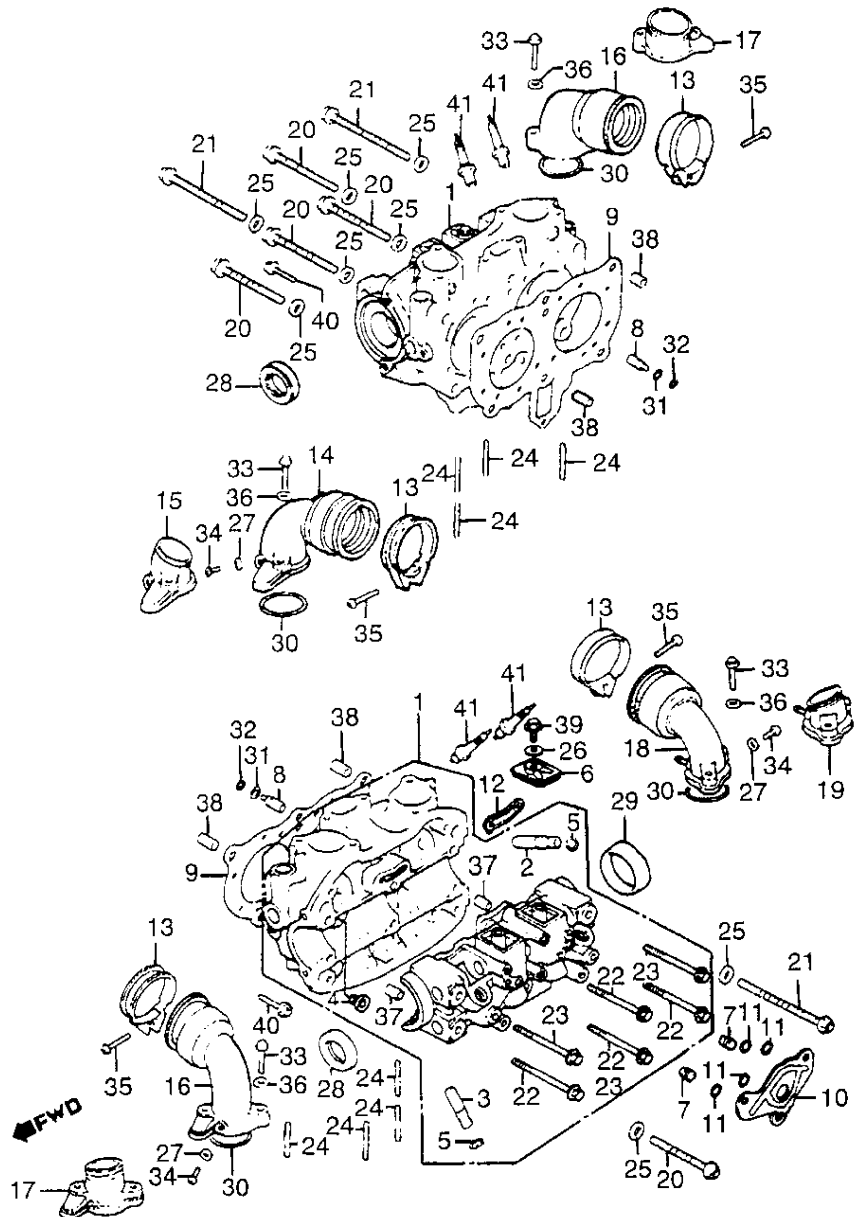


Ref. No.	Part No.	Description
1	12200-MG9-000	CYLINDER HEAD ASSY.
1	12200-MG9-010	CYLINDER HEAD ASSY.
3	12204-371-305	GUIDE, IN. VALVE
3	12205-371-305	GUIDE, IN. VALVE
4	12206-371-305	BOLT, SEALING (18MM)
5	12211-250-310	CLIP, VALVE GUIDE
6	12223-MG9-000	PLATE, OIL CHAMBER
7	12224-MG9-000	PLUG, OIL CHAMBER
8	12238-MG9-000	ORIFICE, OIL CONTROL
9	12251-MG9-000	GASKET, CYL HD
9	12251-MG9-306	GASKET, CYL HD
10	12260-MG9-010	PLATE
11	12261-MG9-000	RING, OIL SEAL
12	12262-MG9-000	PLATE, ORIFICE
13	16219-MB0-770	BAND, INSULATOR
13	16223-KS5-000	BAND, INSULATOR
14	17110-MG9-000	MANIFOLD A, IN. '84 ALL MODELS '85 A,I
15	17110-MG9-950	MANIFOLD A, IN. '85 L
16	17120-MG9-000	MANIFOLD B, IN. '84 ALL '85 A,I

Catalog Title:
GL1200 '84 GL1200A '84,'85 GL1200I '84,'85 GL1200L '85

Block No.
E 03

Block Title:
CYLINDER HEAD



Ref. No.	Part No.	Description
17	17120-MG9-950	MANIFOLD B, IN. '85 L
18	17160-MG9-000	MANIFOLD C, IN. '84 ALL MODELS '85 A,I
19	17160-MG9-950	MANIFOLD C, IN. '85L
20	90001-371-013	BOLT, FLANGE (10X90)
21	90002-371-013	BOLT, FLG (10X115)
22	90003-MG9-000	BOLT, FLANGE (8X75)
23	90011-MG9-000	BOLT, FLANGE (8X75)
24	90035-371-000	BOLT, STUD (8X43)
25	90438-634-000	WASHER (21X11X2.3)
26	90442-397-000	WASHER (6MM)
27	90452-323-000	WASHER (5MM)
28	91209-371-003	OIL SEAL (27X43X9)
29	91209-463-013	CAP, SEAL (43X9)
30	91301-MG9-003	O-RING (35.5X2.6)
30	91301-MG9-005	O-RING (35.5X2.6)
31	91305-371-003	O-RING (6.5X1.5)
32	91308-371-003	O-RING (4.1X1.5)
33	92500-06032-0B	BOLT, CAP (6X32) '84 ALL '85 A,I
33	96000-06022-02	BOLT, FLANGE (6X22) '85L
34	93500-05008-0A	SCREW, PAN (5X8)

Catalog Title:

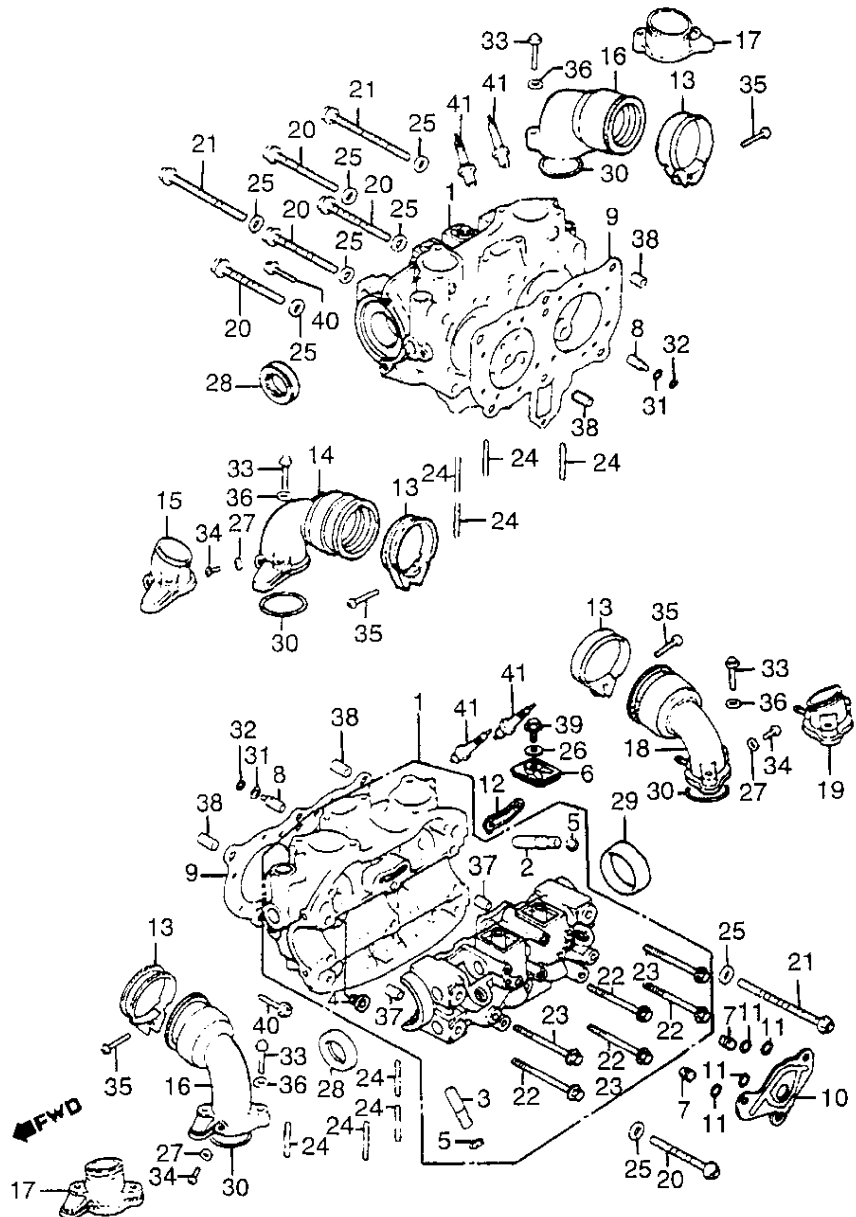
GL1200 '84 GL1200A '84,'85 GL1200I '84,'85 GL1200L '85

Block No.

E 03

Block Title:

CYLINDER HEAD



Ref. No.	Part No.	Description
35	93500-05020-0G	SCREW, PAN (5X20) '84 ALL MODELS '85 A,I
36	94101-06000	WASHER, PLAIN (6MM)'84 ALL MODELS '85 A,I
36	94101-06080	WASHER, PLAIN (6MM) '84 ALL MODELS '85 A,I
36	94101-06800	WASHER, PLAIN (6MM)'84 ALL MODELS '85 A,I
37	94301-10160	PIN, DOWEL (10X16)
38	94301-12200	PIN, DOWEL (12X20)
39	95700-06012-00	BOLT, FLANGE (6X12)
39	95701-06012-00	BOLT, FLANGE (6X12)
40	95700-06028-00	BOLT, FLANGE (6X28)
40	95701-06028-00	BOLT, FLANGE (6X28)
41	98069-57916	S/PLG (DPR7EA-9)
41	98069-57926	S/PLG (X22EPR-U9)
41	98069-58916	S/PLG (DPR8EA-9)
41	98069-58926	S/PLG (X24EPR-U9)
41	98069-59916	S/PLG (DPR9EA-9)
41	98069-59926	S/PLG (X27EPR-U9)

Catalog Title:

GL1200 '84 GL1200A '84,'85 GL1200I '84,'85 GL1200L '85

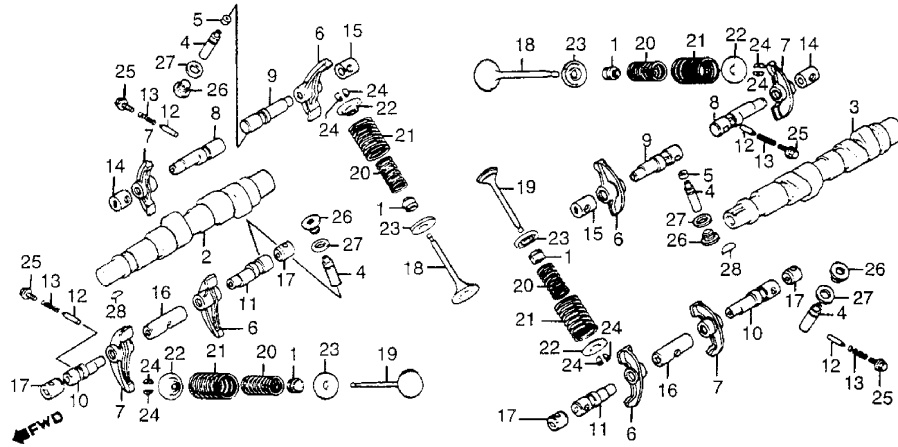
Block No.

E 04

Block Title:

CAMSHAFT / VALVE

Ref. No.	Part No.	Description
1	12209-MB9-003	SEAL, VALVE STEM
2	14111-MG9-000	CAMSHAFT, R. '84 ALL MODELS '85 A,I
2	14111-MG9-951	CAMSHAFT COMP., R. '85L
3	14211-MG9-000	CAMSHAFT, L.
4	14450-MG9-004	ADJUSTER
5	14454-MG9-004	CAP
6	14611-MG9-000	ARM A, VALVE ROCKER
7	14621-MG9-000	ARM B, VALVE ROCKER
8	14631-MG9-010	SHAFT
9	14632-MG9-010	SHAFT
10	14633-MG9-010	SHAFT
11	14634-MG9-010	SHAFT
12	14643-MG9-000	SHAFT
13	14644-MG9-000	SPRING
14	14651-MG9-000	COLLAR
15	14652-MG9-000	COLLAR
16	14653-MG9-010	COLLAR
17	14654-MG9-000	PLUG



Catalog Title:

GL1200 '84 GL1200A '84,'85 GL1200I '84,'85 GL1200L '85

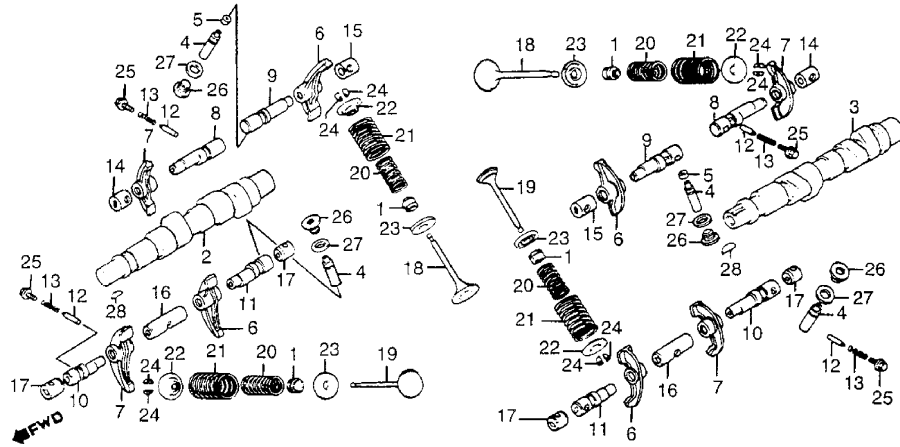
Block No.

E 04

Block Title:

CAMSHAFT / VALVE

Ref. No.	Part No.	Description
18	14711-MG9-000	VALVE, IN.
19	14721-MG9-405	VALVE, EX.
20	14751-611-003	SPRING, VALVE
20	14751-611-004	SPRING, VALVE
21	14761-611-003	SPRING, VALVE
21	14761-611-004	SPRING, VALVE
22	14771-410-010	RETAINER
22	14771-679-000	RETAINER
23	14775-679-000	SEAT, VALVE SPRING
24	14781-MB9-000	COTTER, VALVE
25	90015-MG9-000	BOLT
26	90032-MG9-000	BOLT
27	90491-MG9-000	SHIM (1.0)
28	94401-25140	KEY (25X14)



Catalog Title:

GL1200 '84 GL1200A '84,'85 GL1200I '84,'85 GL1200L '85

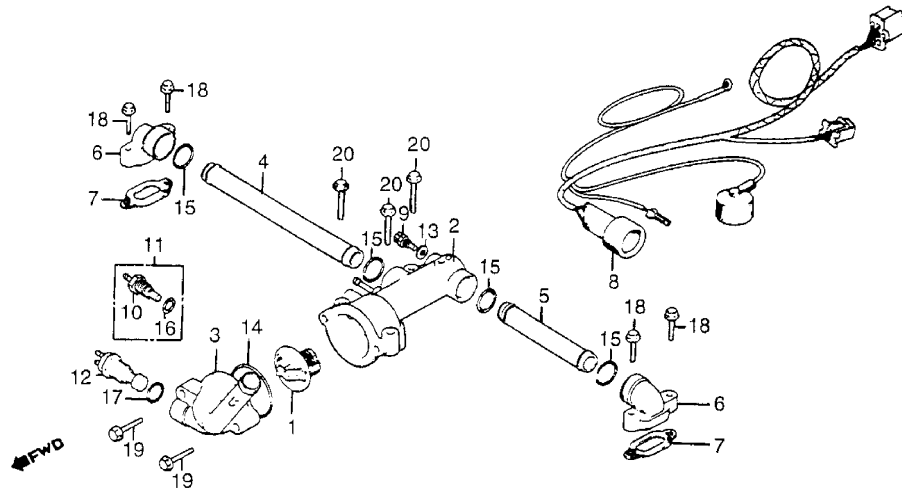
Block No.

E 05

Block Title:

THERMOSTAT

Ref. No.	Part No.	Description
1	19300-MG9-000	THERMOSTAT
2	19311-MG9-000	CASE, THERMOSTAT '84 ALL MODELS, '85 A,I
2	19310-MG9-950	CASE, THERMOSTAT '85 L
3	19315-371-000	COVER, THERMOSTAT
4	19411-MG9-000	PIPE, R. CONNECTING
5	19412-MG9-000	PIPE, L. CONNECTING
6	19421-371-000	JOINT, WATER
7	19429-371-000	GASKET, WATER JOINT
7	19429-371-306	GASKET, WATER JOINT
8	32104-MG9-670	SUB-WIRE HARNESS D '84, '84I, '85I
8	32104-MG9-770	SUB-WIRE HARNESS D '84A, '85A
8	32104-MG9-950	SUB-HARNESS, ENGINE '85L
9	36151-MC7-003	SENSOR, TEMPERATURE '85L
10	37510-371-008	SENDING UNIT '84, '84I, '85I
10	37750-611-154	SENDING UNIT '84, '84I, '85I
10	37510-MB9-871	THERMOSTAT UNIT '84A, '85A, '85L
11	37750-611-154	SENDING UNIT '84 ALL '85 A,I
12	37760-MB9-000	SWITCH, THERMOSTAT
13	90454-MC7-000	WASHER (12MM) '85L
14	91302-317-700	O-RING (54X2)
14	91307-MB0-000	O-RING (54X2)
14	91307-MB0-003	O-RING (54X2)
15	91301-MB6-003	O-RING (21.9X2.3)
15	91302-371-013	O-RING (21.9X2.3)
15	91302-371-023	O-RING (21.9X2.3)



Catalog Title:

GL1200 '84 GL1200A '84,'85 GL1200I '84,'85 GL1200L '85

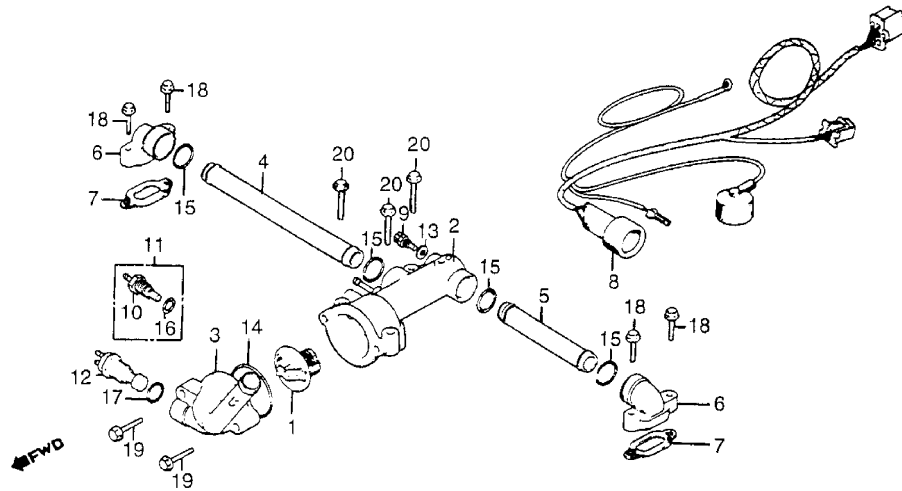
Block No.

E 05

Block Title:

THERMOSTAT

Ref. No.	Part No.	Description
16	91307-PH7-660	O-RING (13.5X1.4)
16	91307-611-000	O-RING (13.5X1.4)
17	91307-PH9-000	O-RING (15.5X1.4)
17	91310-611-000	O-RING (15.5X1.4)
18	96000-06025-02	BOLT, FLANGE (6X25)
18	96001-06025-02	BOLT, FLANGE (6X25)
19	96000-06032-00	BOLT, FLANGE (6X32)
19	96001-06032-00	BOLT, FLANGE (6X32)
20	96000-06040-02	BOLT, FLANGE (6X40)



Catalog Title:

GL1200 '84 GL1200A '84,'85 GL1200I '84,'85 GL1200L '85

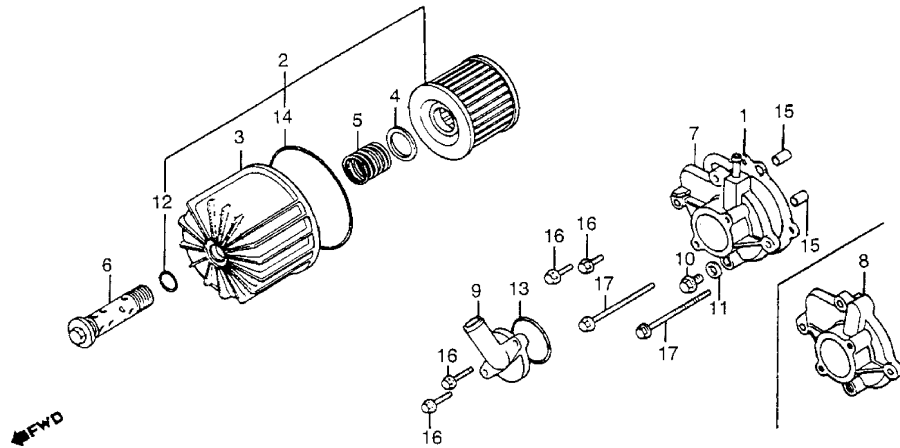
Block No.

E 06

Block Title:

OIL FILTER / WATER PUMP COVER

Ref. No.	Part No.	Description
1	11396-371-000	GASKET, WATER PUMP
1	11396-371-306	GASKET, WATER PUMP
2	15410-426-010	ELEMENT, OIL FILTER
3	15411-371-000	CASE, OIL FILTER
4	15414-300-000	SEAT
5	15415-300-000	SPRING
6	15420-300-020	BOLT
7	19220-MG9-950	COVER, WATER PUMP '85L
8	19221-MG9-000	COVER, WATER PUMP '84 ALL '85 A,I
9	19225-371-000	CAP, WATER PUMP
10	90007-371-004	BOLT, FLANGE (10X12)
11	90481-463-000	WASHER (10.2MM)
12	91302-377-000	O-RING (15X2.5)
13	91305-216-000	O-RING (46X2)
13	91305-426-003	O-RING (46X2)
14	91316-300-005	O-RING (89X4.5)
14	91316-425-003	O-RING (89X4.5)
15	94301-08140	PIN, DOWEL (8X14)
16	96000-06022-00	BOLT, FLANGE (6X22)
16	96001-06022-00	BOLT, FLANGE (6X22)
17	96000-06080-02	BOLT, FLANGE (6X80)



Catalog Title:

GL1200 '84 GL1200A '84,'85 GL1200I '84,'85 GL1200L '85

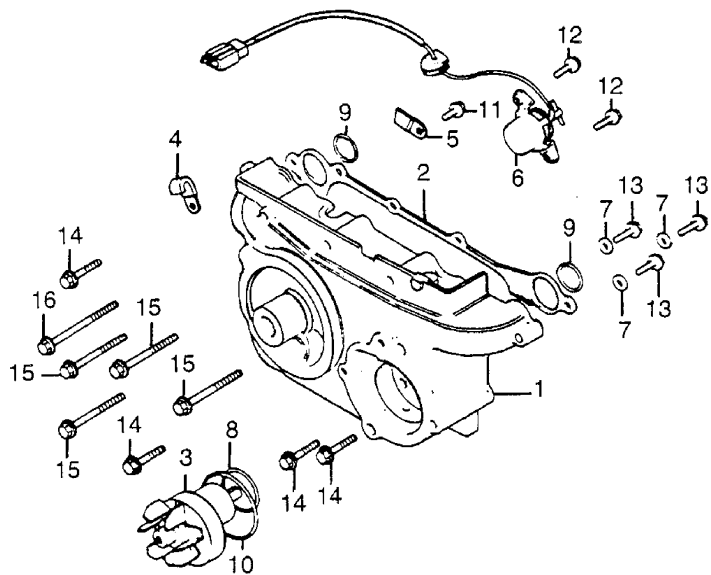
Block No.

E 07

Block Title:

TRANSMISSION COVER / WATER PUMP

Ref. No.	Part No.	Description
1	11360-MG9-000	COVER, TRANSMISSION '84 ALL MODELS, '85 A,I
1	11360-MG9-010	COVER, TRANSMISSION '84 ALL MODELS, '85 A,I
1	11360-MG9-950	COVER, TRANSMISSION '85L
1	11360-MG9-951	COVER, TRANSMISSION '85L
2	11391-MG9-000	GASKET, TRANS CVR
2	11391-MG9-010	GASKET, TRANS CVR
2	11391-MG9-020	GASKET, TRANS CVR
2	11391-MG9-306	GASKET, TRANS CVR
3	19200-MG9-680	WATER PUMP COMP. '84, ALL MODELS
3	19200-371-020	WATER PUMP COMP. '84 ALL MODELS
3	19200-MG9-681	WATER PUMP COMP.
4	32111-323-000	CLAMP, CABLE
5	32976-107-000	CLAMP, WIRE HARNESS
5	32976-107-010	CLAMP, WIRE HARNESS
6	35759-MG9-670	SWITCH, CHANGE '84, '84A, '85I
6	35759-MG9-671	SWITCH, CHANGE '85I
6	35759-MG9-770	SWITCH, CHANGE '84A '85A
6	35759-MG9-771	SWITCH, CHANGE '84A, '85A
6	35759-MG9-950	SWITCH ASSY., CHANGE '85L
7	90442-397-000	WASHER (6MM)
8	91303-283-000	O-RING
8	91305-KT7-003	O-RING
9	91312-371-003	O-RING (23X2.1)



Catalog Title:

GL1200 '84 GL1200A '84,'85 GL1200I '84,'85 GL1200L '85

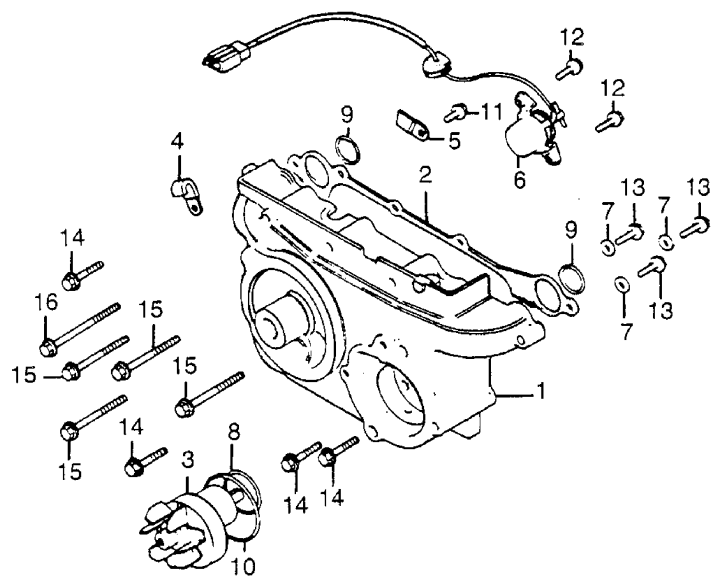
Block No.

E 07

Block Title:

TRANSMISSION COVER / WATER PUMP

Ref. No.	Part No.	Description
9	91312-371-013	O-RING (23X2.1)
10	91356-706-000	O-RING (56X2.4)
11	95700-06012-00	BOLT, FLANGE (6X12)
11	95701-06012-00	BOLT, FLANGE (6X12)
12	95700-06016-00	BOLT, FLANGE (6X16)
12	95701-06016-00	BOLT, FLANGE (6X16)
13	95700-06018-00	BOLT, FLANGE (6X18)
14	96000-06035-02	BOLT, FLANGE (6X35)
14	96001-06035-02	BOLT, FLANGE (6X35)
15	96000-06055-02	BOLT, FLANGE (6X55)
16	96000-06070-02	BOLT, FLANGE (6X70)
16	96001-06070-02	BOLT, FLANGE (6X70)



← FWD

Catalog Title:

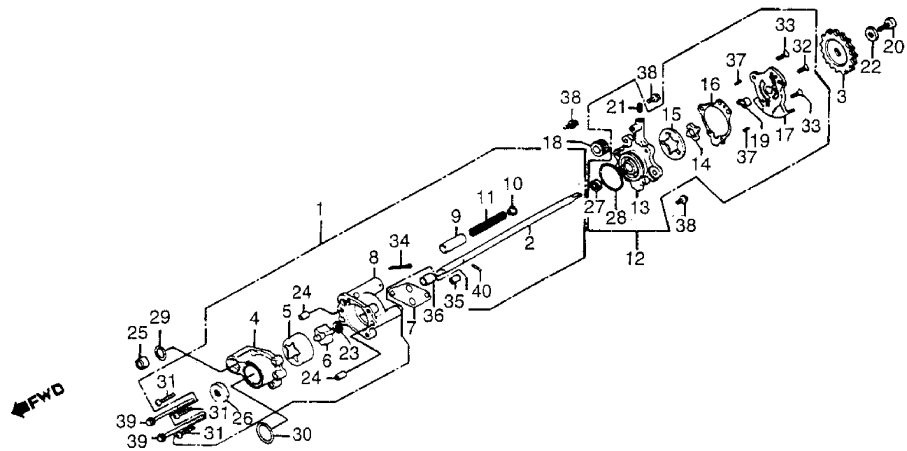
GL1200 '84 GL1200A '84,'85 GL1200I '84,'85 GL1200L '85

Block No.

E 08

Block Title:

OIL PUMP



Ref. No.	Part No.	Description
1	15110-MG9-000	PUMP ASSY., OIL
2	15111-MG9-000	SHAFT, OIL PUMP
3	15116-MG9-003	SPROCKET
4	15121-MG9-000	BODY, OIL PUMP
5	15121-426-003	ROTOR (OUTER)
6	15125-MG9-000	ROTOR, OIL PUMP
7	15128-MG9-000	GASKET, OIL PUMP
8	15131-MG9-000	BASE, OIL PUMP
9	15141-371-000	VALVE, RELIEF
10	15142-371-000	SEAT, RELIEF VALVE
11	15145-371-000	SPRING, RELIEF VALVE
12	15220-371-000	PUMP, CLUTCH OIL
13	15221-371-000	BODY
14	15225-371-000	ROTOR B (INNER)
15	15226-371-000	ROTOR B (OUTER)
16	15229-371-000	GASKET
17	15231-371-000	CVR, CLUTCH OIL PUMP
18	15239-463-000	GROMMET, OIL PUMP
19	15256-371-005	COLLAR, OIL PUMP
20	90011-463-000	BOLT, SOCKET (6X12)
21	90025-371-000	SCREW, SEALING
22	90417-041-000	WASHER
23	90456-333-000	WASHER (11MM)
24	24261-283-000	PIN, '84 ALL MODELS
24	90702-MJ0-000	PIN '84 ALL MODELS

Catalog Title:

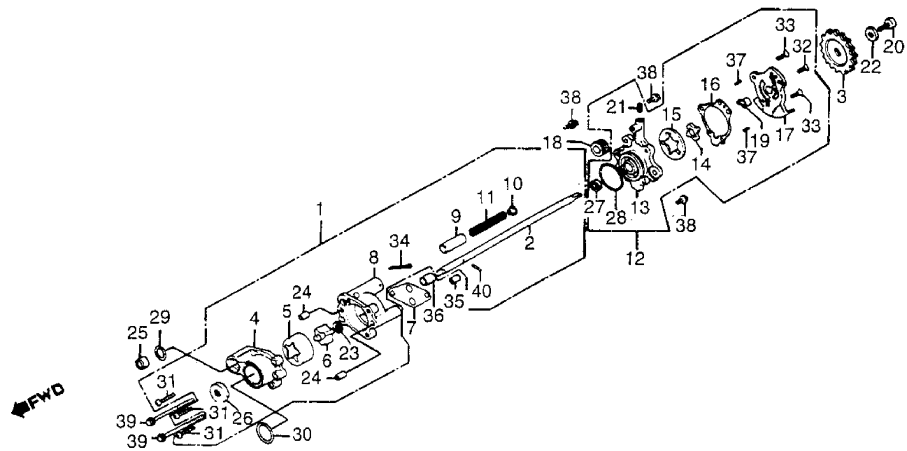
GL1200 '84 GL1200A '84,'85 GL1200I '84,'85 GL1200L '85

Block No.

E 08

Block Title:

OIL PUMP



Ref. No.	Part No.	Description
24	94301-08100	PIN, DOWEL (8X10) '85, ALL MODELS
25	90703-371-000	COLLAR (17X10)
26	91207-580-003	OIL SEAL (10X25X7)
26	91207-580-015	OIL SEAL (10X25X7)
27	91208-MN1-771	OIL SEAL (11X15X3)
27	91208-300-003	OIL SEAL (11X15X3)
28	91302-200-000	O-RING (33.5X3)
28	91302-943-003	O-RING (33.5X3)
28	91304-HB3-003	O-RING (33.5X3.0)
29	91333-KE5-003	O-RING (17.0X2.5)
29	91333-567-010	O-RING (17.0X2.5)
30	91345-580-000	O-RING (29X2.2)
31	93500-06028	SCREW, PAN (6X28)
31	93500-06028-0A	SCREW, PAN (6X28)
32	93600-05012-0H	SCREW, FLAT (5X12)
33	93600-05014-0A	SCREW, FLAT (5X14)
34	94201-30250	PIN, SPLIT (3.0X45)
34	94201-30300	PIN, SPLIT (3.0X45)
34	94201-30400	PIN, SPLIT (3.0X45)
34	94201-30450	PIN, SPLIT (3.0X45)
35	94301-08140	PIN, DOWEL (8X14)
36	94301-14200	PIN, DOWEL (14X20)
37	94303-04065	PIN C, DOWEL (4X6.5)
38	95700-06018-00	BOLT, FLANGE (6X18)
39	95700-06080-00	BOLT, FLANGE (6X80)

Catalog Title:

GL1200 '84 GL1200A '84,'85 GL1200I '84,'85 GL1200L '85

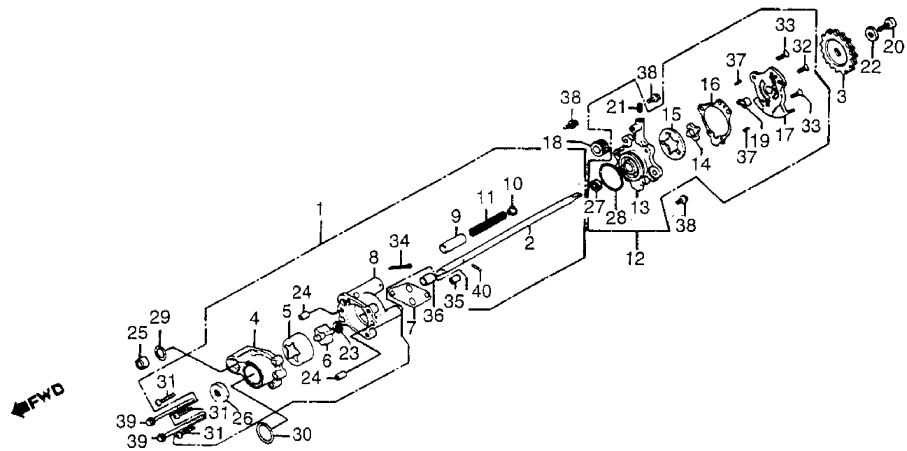
Block No.

E 08

Block Title:

OIL PUMP

Ref. No.	Part No.	Description
39	95701-06080-00	BOLT, FLANGE (6X80)
40	96220-40158	ROLLER (4X15.8)



Catalog Title:

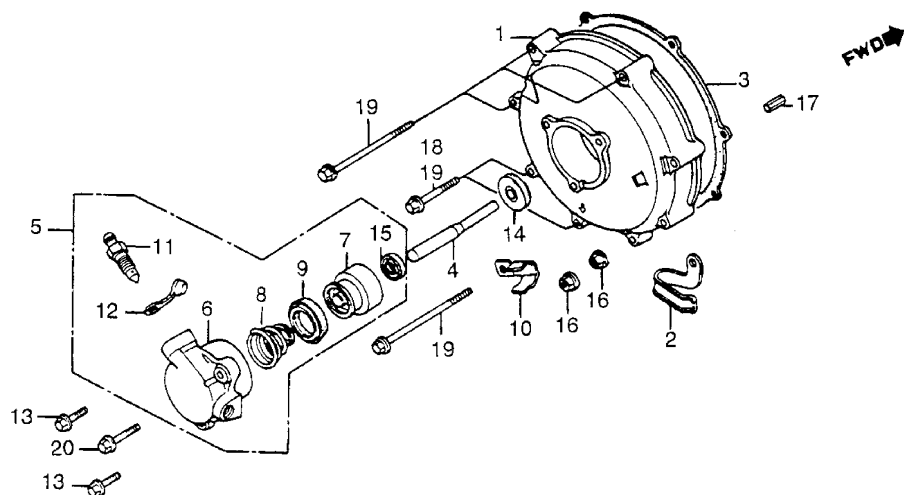
GL1200 '84 GL1200A '84,'85 GL1200I '84,'85 GL1200L '85

Block No.

E 09

Block Title:

CLUTCH COVER



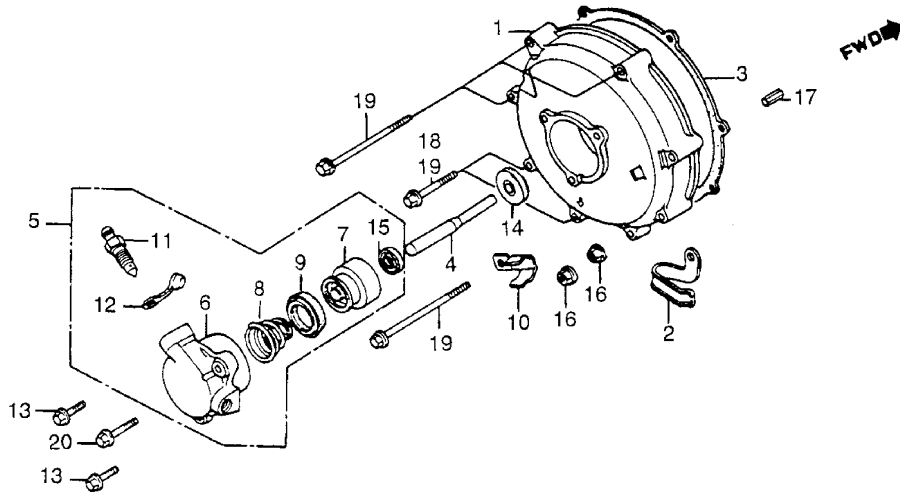
Ref. No.	Part No.	Description
1	11340-MG9-000	COVER, CLUTCH '84 ALL MODELS
1	11340-MG9-680	COVER, CLUTCH '85 ALL MODELS
2	11345-MG9-000	GUIDE, DRAIN TUBE '84 ALL MODELS
2	11345-MG9-010	GUIDE, DRAIN TUBE '84 ALL MODELS
3	11393-MG9-000	GASKET, CLUTCH COVER '84 ALL MODELS
3	11393-MG9-306	GASKET, CLUTCH COVER '84 ALL MODELS
3	11393-MG9-307	GASKET '85 ALL MODELS
3	11393-MG9-680	GASKET '85 ALL MODELS
4	22850-MG9-000	ROD, CLUTCH LIFTER
5	22860-MG9-000	CYLINDER ASSY.
6	22861-MG9-000	CYLINDER
7	22863-MG9-003	PISTON
8	22864-MB0-003	SPRING
9	22865-MG9-003	CUP
10	22871-MG9-000	CLAMP, CLUTCH HOSE
11	43352-568-003	SCREW, BLEEDER
12	43353-461-771	CAP, BLEEDER
13	90006-MG9-000	BOLT, FLANGE (6X25)
14	91204-MB0-003	OIL SEAL (8X25X8)
14	91204-MB0-013	OIL SEAL (8X25X8)
15	91209-MB0-003	OIL SEAL (8X18X5)
16	94050-06000	NUT, FLANGE (6MM)
17	94301-08140	PIN, DOWEL (8X14)
18	95800-06035-00	BOLT, FLANGE (6X35) '84 ALL MODELS
18	95801-06035-00	BOLT, FLANGE (6X35) '84 ALL MODELS

Catalog Title:
GL1200 '84 GL1200A '84,'85 GL1200I '84,'85 GL1200L '85

Block No.
E 09

Block Title:
CLUTCH COVER

Ref. No.	Part No.	Description
19	95800-06085-00	BOLT, FLANGE (6X85)
19	95801-06085-00	BOLT, FLANGE (6X85)
20	96000-06028-00	BOLT, FLANGE (6X28)
20	96001-06028-00	BOLT, FLANGE (6X28)



Catalog Title:

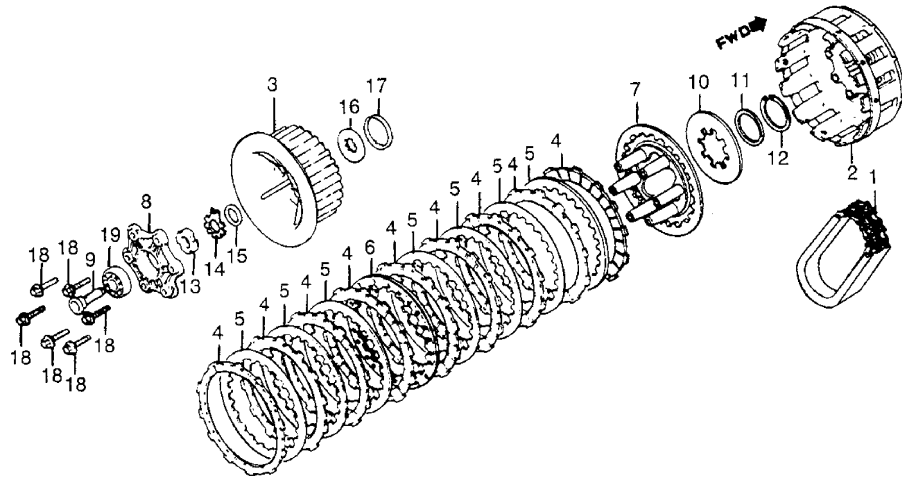
GL1200 '84 GL1200A '84,'85 GL1200I '84,'85 GL1200L '85

Block No.

E 10

Block Title:

CLUTCH



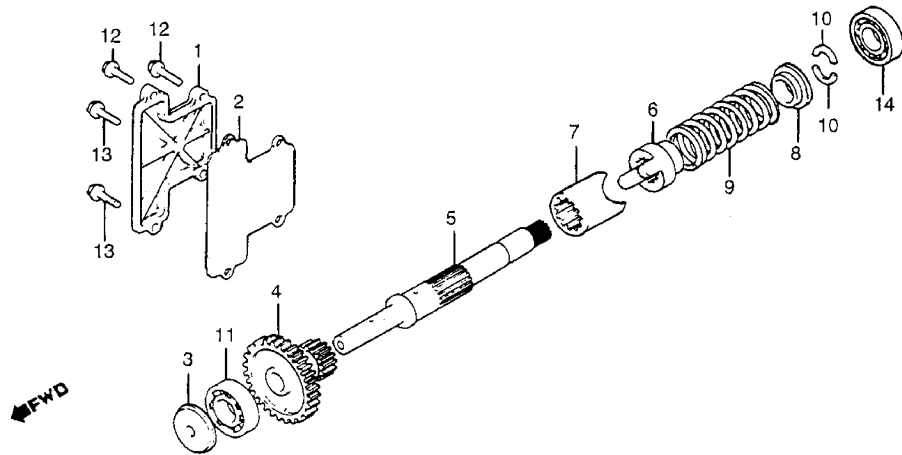
Ref. No.	Part No.	Description
1	15130-371-003	CHAIN, OIL PUMP
2	22100-MG9-000	OUTER COMP., CLUTCH
3	22120-MG9-000	CENTER COMP., CLUTCH
4	22201-MG9-000	DISK A, CL FRICTION
5	22321-MG9-000	PLATE A, CLUTCH
5	22321-371-010	PLATE A, CLUTCH
6	22322-MG9-000	PLATE B, CLUTCH
7	22350-MG9-000	PLATE
8	22360-463-000	PLATE, CLUTCH LIFTER
9	22366-MB9-000	PIN
10	22441-MG9-000	SPRING, CLUTCH
11	22442-MG9-000	SEAT, CLUTCH SPRING
12	22443-MG9-000	RING
13	90204-426-000	NUT, LOCK (20MM)
14	90431-MG9-000	WASHER, LOCK (20MM)
15	90432-121-000	WASHER, LOCK
16	90432-371-000	WASHER (23MM)
16	90433-MB0-000	WASHER (23MM)
17	90602-371-000	CIRCLIP (40MM)
18	95701-06020-08	BOLT, FLANGE (6X20)
18	95920-06020-08	BOLT, FLANGE (6X20)
19	96100-62030-00	BEARING (6203)

Catalog Title:
GL1200 '84 GL1200A '84,'85 GL1200I '84,'85 GL1200L '85

Block No.
E 11

Block Title:
FINAL SHAFT

Ref. No.	Part No.	Description
1	11371-MG9-000	COVER, FINAL GEAR '84 ALL MODELS, '85A, '85I
1	11371-MG9-950	COVER, FINAL GEAR '85L
2	11372-463-003	GASKET
2	11372-463-306	GASKET
3	23161-371-000	PLATE B, OIL PATH
4	23511-MB9-780	GEAR (35T) '84 ALL MODELS
4	23511-MG9-680	GEAR (36T) '85 ALL MODELS
4	23511-MG9-681	GEAR (36T) '85 ALL MODELS
5	23521-MG9-000	SHAFT, FINAL GEAR
6	23721-MB9-780	LIFTER, DAMPER
7	23722-MG9-000	CAM, DAMPER
8	23731-371-000	STOPPER
9	23732-371-000	SPRING, DAMPER
10	23733-371-000	WASHER
11	91002-371-004	BEARING (6304C)
11	91003-MG8-003	BEARING (20X52X15)
12	95700-06028-00	BOLT, FLANGE (6X28)
12	95701-06028-00	BOLT, FLANGE (6X28)
13	96000-06025-02	BOLT, FLANGE (6X25)
13	96001-06025-02	BOLT, FLANGE (6X25)
14	96100-62050-00	BEARING (6205)
14	96100-62050-10	BEARING (6205)

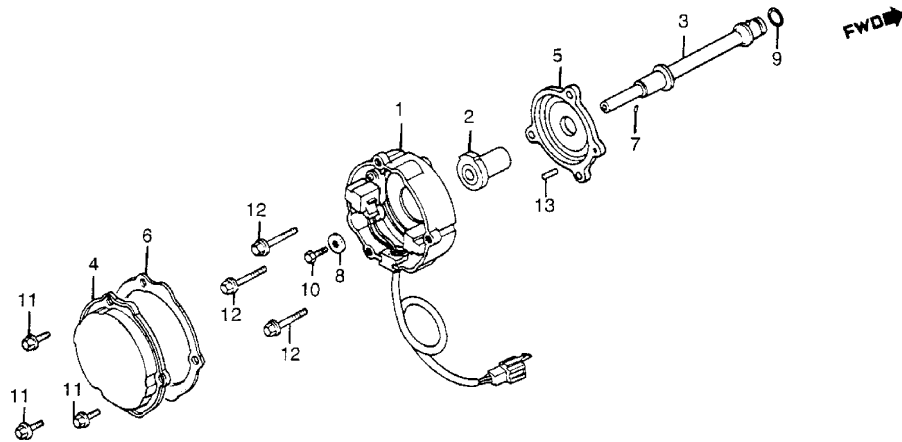


Catalog Title:
GL1200 '84 GL1200A '84,'85 GL1200I '84,'85 GL1200L '85

Block No.
E 12

Block Title:
PULSE ALTERNATOR / ADVANCER - '84

Ref. No.	Part No.	Description
1	30100-MG9-000	ALTERNATOR SET
2	30230-MG9-670	ROTOR
3	30373-463-000	SHAFT, PULSER
4	30375-MG9-000	COVER, PULSER
5	30376-463-000	INSULATOR, PULSER
6	30379-MG9-000	GASKET, PULSER COVER
6	30379-MG9-306	GASKET, PULSER COVER
7	30905-216-000	PIN (3X5.2)
8	90486-028-000	WASHER
9	91305-422-000	O-RING (9.8X2.4)
9	91352-425-003	O-RING (9.8X2.4)
10	92000-06014	BOLT, HEX. (6X14)
10	92101-06014-0A	BOLT, HEX. (6X14)
11	96000-06010-02	BOLT, FLANGE (6X10)
11	96001-06010-02	BOLT, FLANGE (6X10)
12	96000-06032-00	BOLT, FLANGE (6X32)
12	96001-06032-00	BOLT, FLANGE (6X32)
13	96220-40178	ROLLER (4X17.8)



Catalog Title:

GL1200 '84 GL1200A '84,'85 GL1200I '84,'85 GL1200L '85

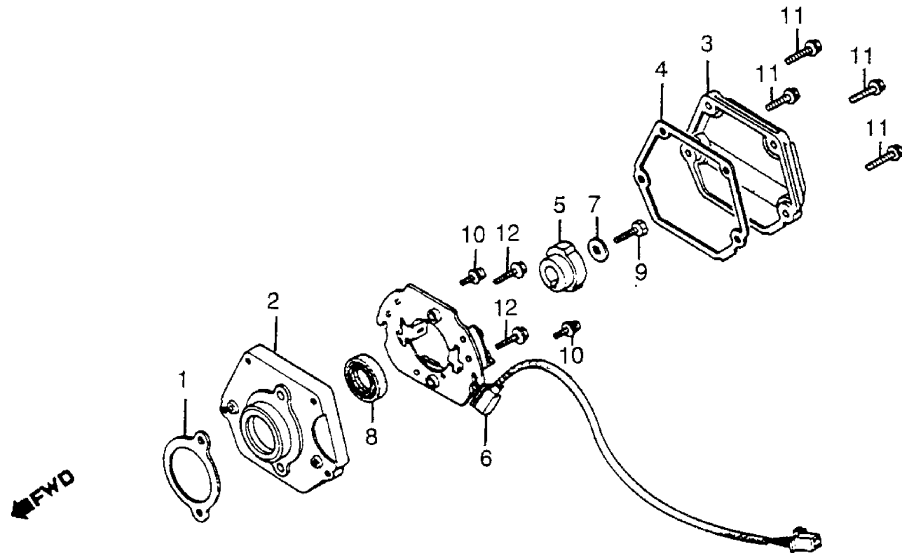
Block No.

E 1201

Block Title:

PULSE ALTERNATOR / ADVANCER - GL1200L '85

Ref. No.	Part No.	Description
1	12391-MG9-000	GASKET, SEALED COVER
1	12391-MG9-306	GASKET, SEALED COVER
2	30381-MG9-950	CASE
3	30382-MG9-950	COVER
4	30383-MG9-306	GASKET
4	30383-MG9-950	GASKET
5	36141-MC7-003	ROTOR
6	36142-MG9-951	ALTERNATOR, PULSE
7	90488-MB0-000	WASHER (6X2.3)
8	91216-PA0-003	OIL SEAL (22X35X7)
9	92000-06018-0A	BOLT, HEX. (6X18)
9	92101-06018-0A	BOLT, HEX. (6X18)
10	93893-04012-08	SCREW-WASHER (4X12)
10	93893-04012-18	SCREW-WASHER (4X12)
11	96000-06020-02	BOLT, FLANGE (6X20)
11	96001-06020-02	BOLT, FLANGE (6X20)
12	96000-06022-02	BOLT, FLANGE (6X22)
12	96001-06022-02	BOLT, FLANGE (6X22)



Catalog Title:

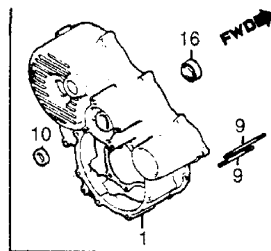
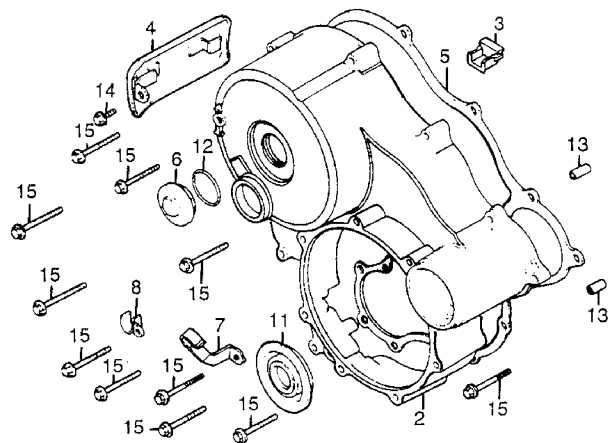
GL1200 '84 GL1200A '84,'85 GL1200I '84,'85 GL1200L '85

Block No.

E 13

Block Title:

REAR CASE



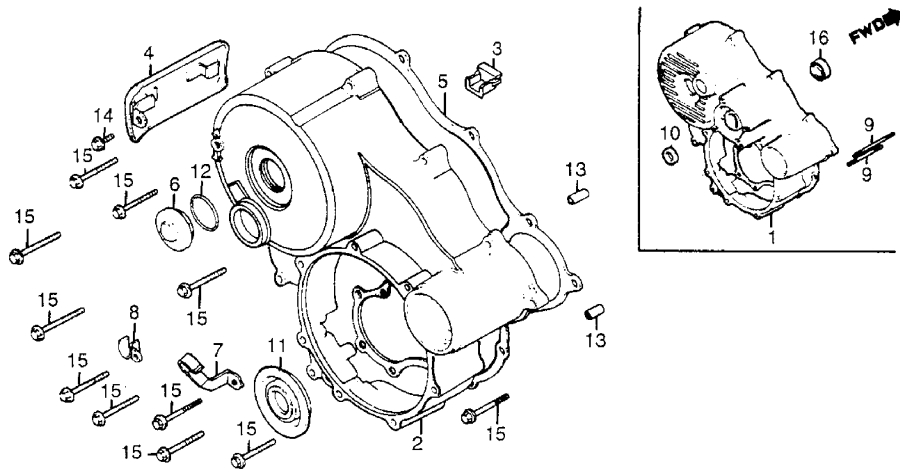
Ref. No.	Part No.	Description
1	11311-MG9-000	CASE, RR. '84 ALL MODELS
2	11311-MG9-680	CASE, RR. '85 A, '85I
2	11311-MG9-950	CASE, RR. '85L
3	11313-MG9-000	GUIDE '84 ALL MODELS
3	11313-MG9-680	GUIDE '85A, '85I
3	11313-MG9-950	GUIDE '85L
4	11315-463-000	INSULATOR, HEAT
5	11394-371-000	GASKET, R. '84 ALL MODELS
5	11394-371-306	GASKET, R. '84 ALL MODELS
5	11394-MG9-306	GASKET, RR. CASE '85 ALL MODELS
5	11394-MG9-682	GASKET, RR. CASE '85 ALL MODELS
5	11394-MG9-680	GASKET, RR. CASE '85L
6	12361-035-000	CAP, VALVE ADJ.
6	12361-300-000	CAP, VALVE ADJ.
6	12361-371-980	CAP, VALVE ADJ.
7	22872-MG9-000	CLAMP, CLUTCH HOSE
8	32117-MG9-000	CLAMP, CABLE
9	90044-634-000	BOLT, STUD (6X95) '84 ALL MODELS
10	91202-107-003	OIL SEAL (15X25X7) '84 ALL MODELS
10	91203-965-003	OIL SEAL (15X25X7) '84 ALL MODELS
11	91204-371-005	OIL SEAL (25X54X7)
12	91302-001-020	O-RING (30.8MM)
13	94301-08140	PIN, DOWEL (8X14)
14	96000-06010-02	BOLT, FLANGE (6X10)
14	96001-06010-02	BOLT, FLANGE (6X10)

Catalog Title:
GL1200 '84 GL1200A '84,'85 GL1200I '84,'85 GL1200L '85

Block No.
E 13

Block Title:
REAR CASE

Ref. No.	Part No.	Description
15	96000-06035-02	BOLT, FLANGE (6X35)
15	96001-06035-02	BOLT, FLANGE (6X35)
16	96100-60020-00	BEARING (6002) '84 ALL MODELS



Catalog Title:

GL1200 '84 GL1200A '84,'85 GL1200I '84,'85 GL1200L '85

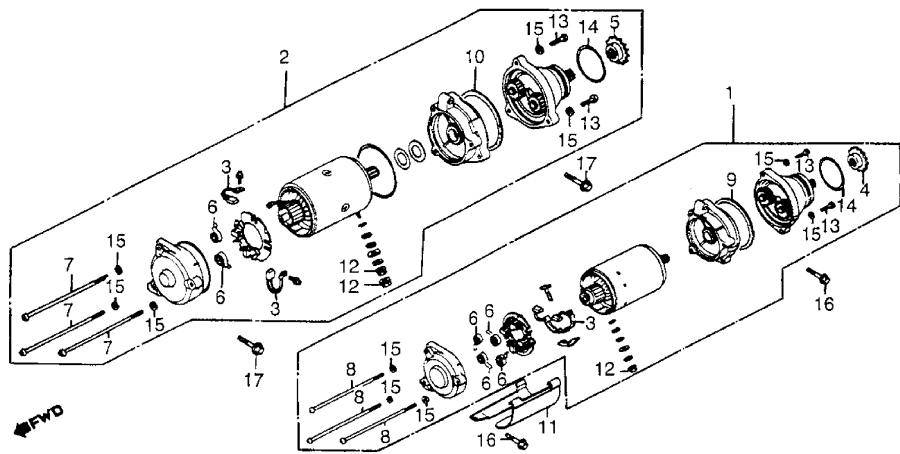
Block No.

E 14

Block Title:

STARTER MOTOR

Ref. No.	Part No.	Description
1	31200-MG9-004	MOTOR ASSY., STARTER '84 ALL MODELS
1	31200-MG9-405	MOTOR ASSY., STARTER '84 ALL MODELS
2	31200-MG9-406	MOTOR ASSY., STARTER '85 ALL MODELS
2	31200-MG9-681	MOTOR ASSY., STARTER '85 ALL MODELS
3	31201-MG9-004	BRUSH, CARBON
4	31202-MG9-004	SPROCKET '84 ALL MODELS
5	31202-MG9-681	SPROCKET '85 ALL MODELS
6	31204-292-158	SPRING, CARBON BRUSH
7	31205-MB0-000	SCREW, PAN (5X115) '85 ALL MODELS
8	31205-371-005	BOLT, SETTING '84 ALL MODELS
9	31208-MG9-004	RING '84 ALL MODELS
10	31208-MG9-681	RING '85 ALL MODELS
11	31210-MG9-000	PLATE, MOTOR HEAT '84 ALL MODELS
12	90071-MB0-000	NUT-WASHER (6MM)
13	91001-MG9-004	BOLT (5X20)
14	91309-MA6-000	O-RING
15	94111-05000	WASHER, SPRING (5MM)
16	96000-06028-02	BOLT, FLANGE (6X28) '84 ALL MODELS
16	96001-06028-02	BOLT, FLANGE (6X28) '84 ALL MODELS
17	96000-06032-02	BOLT, FLANGE (6X32) '85 ALL MODELS

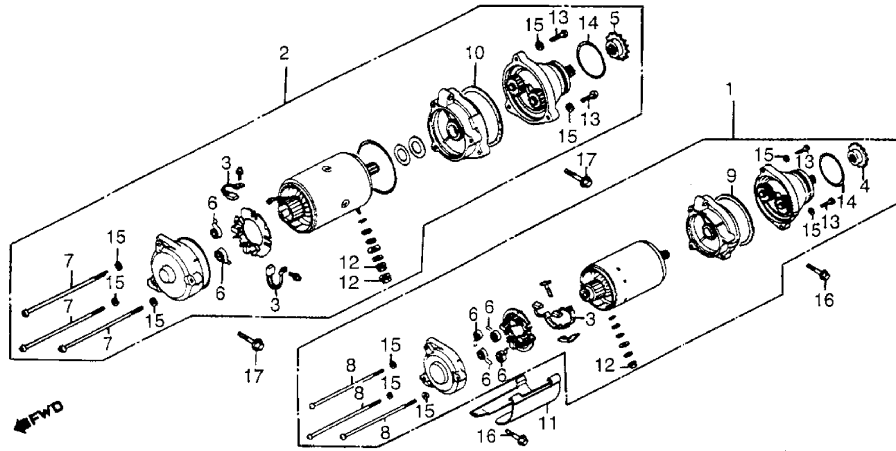


Catalog Title:
GL1200 '84 GL1200A '84,'85 GL1200I '84,'85 GL1200L '85

Block No.
E 14

Block Title:
STARTER MOTOR

Ref. No.	Part No.	Description
17	96001-06032-02	BOLT, FLANGE (6X32) '85 ALL MODELS



Catalog Title:

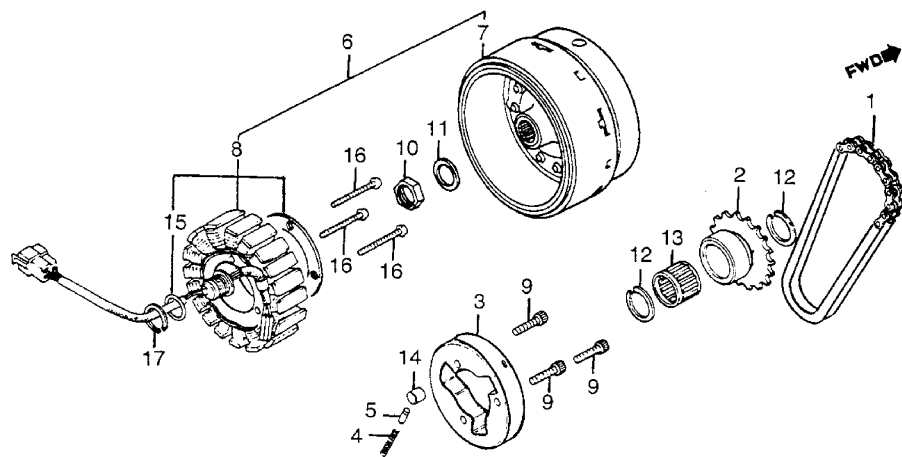
GL1200 '84 GL1200A '84,'85 GL1200I '84,'85 GL1200L '85

Block No.

E 15

Block Title:

ALTERNATOR / STARTER CLUTCH



Ref. No.	Part No.	Description
1	28101-371-003	CHAIN, STARTER
2	28111-MG9-000	SPROCKET, STARTER
3	28120-MG9-000	OUTER
4	28125-516-030	SPRING
5	28126-415-000	CAP
6	31100-ML8-305	ALTERNATOR ASSY. '85A, '85I
6	31100-ML8-671	ALTERNATOR ASSY. '85A, '85I
6	31100-ML8-672	ALTERNATOR ASSY. '85A, '85I
6	31100-ML8-673	ALTERNATOR ASSY. '85A, '85I
6	31100-ML8-674	ALTERNATOR ASSY. '85A, '85I
6	31100-MG9-951	ALTERNATOR ASSY.'85L
7	31110-MG9-003	FLYWHEEL COMP. '84 MODELS
7	31110-MG9-681	FLYWHEEL COMP. '85A, '85I
7	31110-MG9-682	FLYWHEEL COMP. '85A, '85I
7	31110-MG9-951	FLYWHEEL COMP. '85L
7	31110-MG9-952	FLYWHEEL COMP.
8	31120-MG9-325	STATOR COMP. '84 MODELS
8	31120-ML8-305	STATOR COMP. '85A, '85I
8	31120-MG9-951	STATOR COMP. '85L
8	31120-ML8-751	STATOR COMP. '85L
9	90010-415-000	BOLT, SOCKET (8MM)
10	90202-KG4-000	NUT, LOCK (22MM)
11	90401-MG9-000	WASHER (22MM)
12	90605-MG9-000	CLIP (40)
12	90605-MG9-008	CLIP (40)

Catalog Title:

GL1200 '84 GL1200A '84,'85 GL1200I '84,'85 GL1200L '85

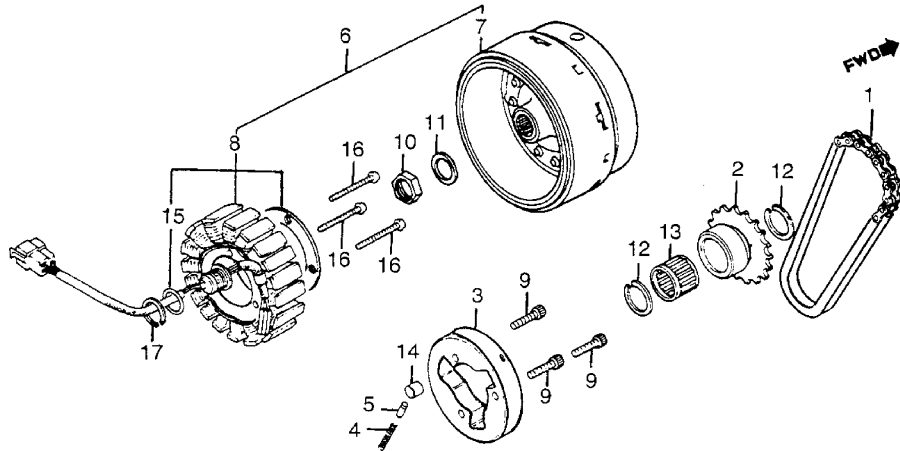
Block No.

E 15

Block Title:

ALTERNATOR / STARTER CLUTCH

Ref. No.	Part No.	Description
13	91101-MG9-008	BEARING (35X40X27)
14	91101-516-000	ROLLER (15X13)
15	91354-371-000	O-RING (23MM)
16	93500-06040	SCREW, PAN (6X40) '84 MODELS, '85A '85I
16	93500-06040-0A	SCREW, PAN (6X40) '84 MODELS, '85A, '85I
16	93500-06045	SCREW, PAN (6X45) '85L
16	93500-06045-0A	SCREW, PAN (6X45) '85L
17	94511-26000	CIRCLIP (26MM)

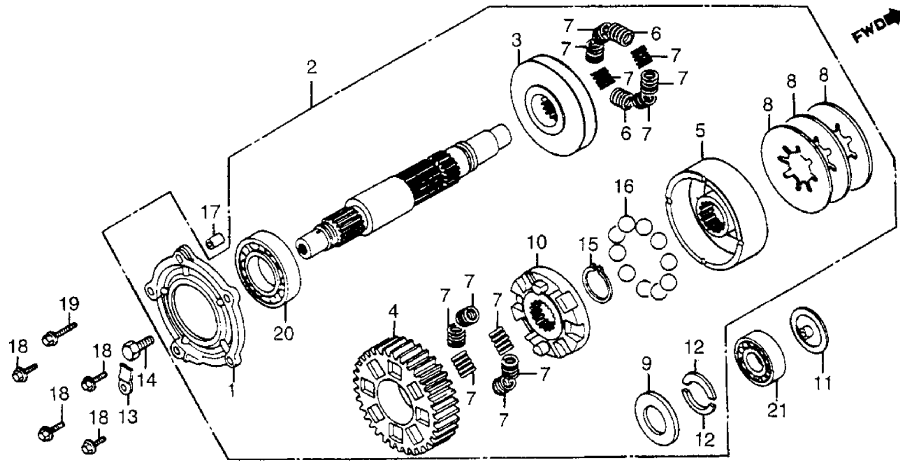


Catalog Title:
GL1200 '84 GL1200A '84,'85 GL1200I '84,'85 GL1200L '85

Block No.
E 16

Block Title:
ALTERNATOR SHAFT

Ref. No.	Part No.	Description
1	11321-371-000	HOLDER
2	13400-MG9-010	SHAFT, ALTERNATOR
2	13400-MG9-020	SHAFT, ALTERNATOR
2	13400-MG9-030	SHAFT, ALTERNATOR
3	13431-MG9-000	DISK
4	13432-MG9-000	GEAR
5	13441-MG9-000	CASE
6	13442-MG9-000	SPRING
7	13443-MG9-000	SPRING
8	13445-MG9-003	SPRING
9	13446-MG9-000	STOPPER
10	13447-MG9-000	STOPPER
11	23171-MG9-000	PLATE
12	23733-371-000	WASHER
13	28114-371-000	PLATE, CHAIN GUIDE
14	90022-MG9-000	BOLT, HEX. (12X13)
15	90602-463-000	CIRCLIP (28MM)
16	90921-MG9-008	BALL, STEEL (19/32)
17	94301-08140	PIN, DOWEL (8X14)
18	95700-06022-00	BOLT, FLANGE (6X22)
18	95701-06022-00	BOLT, FLANGE (6X22)
19	95700-06032-00	BOLT, FLANGE (6X32)
19	95701-06032-00	BOLT, FLANGE (6X32)
20	96100-60070-00	BEARING (6007)
21	96100-63030-00	BEARING (6303)



Catalog Title:

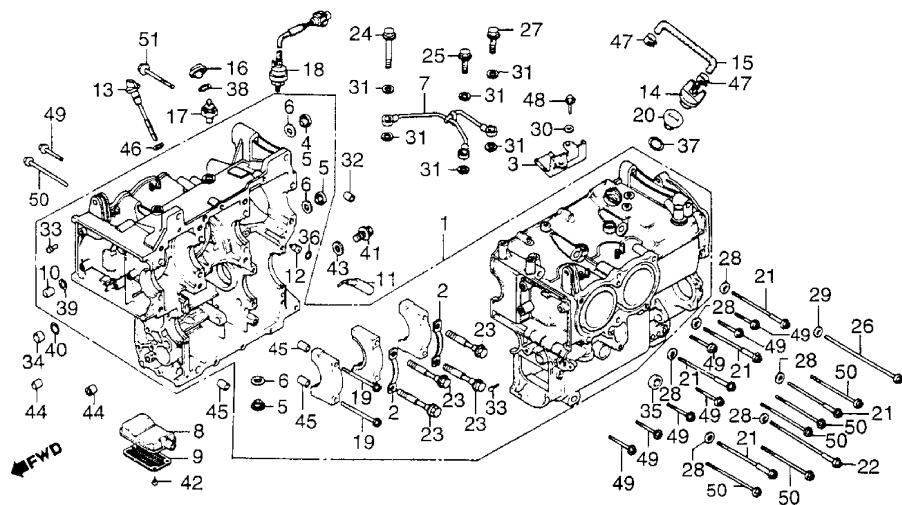
GL1200 '84 GL1200A '84,'85 GL1200I '84,'85 GL1200L '85

Block No.

E 17

Block Title:

CYLINDER BLOCK



Ref. No.	Part No.	Description
1	11000-MG9-000	BLOCK, CYLINDER '84 MODELS
1	11000-MG9-680	BLOCK, CYLINDER '85A, '85I
1	11000-MG9-682	BLOCK, CYLINDER '85A, '85I
1	11000-MG9-950	BLOCK, CYLINDER '85L
2	11125-MG9-000	PLATE, BEARING CAP
3	11220-371-000	GUIDE, OIL
4	12206-MG9-950	BOLT, SPECIAL (18MM) '85L
5	12206-371-305	BOLT, SEALING (18MM)
6	12207-611-300	WASHER, SEALING BOLT
7	12230-MG9-000	PIPE COMP., OIL PATH '84 MODELS '85A, '85I
7	12230-MG9-950	PIPE COMP., OIL PATH '85L
8	15151-MG9-000	CASE, OIL STRAINER
9	15152-371-000	SCREEN, OIL STRAINER
10	15337-300-010	PLUG, OIL TUBE
11	15520-371-000	NOZZLE, OIL SUPPLY
12	15530-371-000	ORIFICE, CHAIN
13	15650-MG9-000	DIPSTICK, OIL
14	15652-MG9-950	CAP, TIMING HOLE '85L
15	15655-MG9-950	TUBE, OIL RETURN '85L
16	25611-371-000	CAP, LEVEL GAUGE
17	35500-MB9-004	SWITCH, OIL PRESSURE '84 MODELS, '85A,I
17	35500-MJ0-004	SWITCH, OIL PRESSURE '84 MODELS, '85A,I
17	35500-MJ4-004	SWITCH, OIL PRESSURE '84 MODELS, '85A,I
17	35500-MJ4-014	SWITCH, OIL PRESSURE '84 MODELS, '85A,I

Catalog Title:

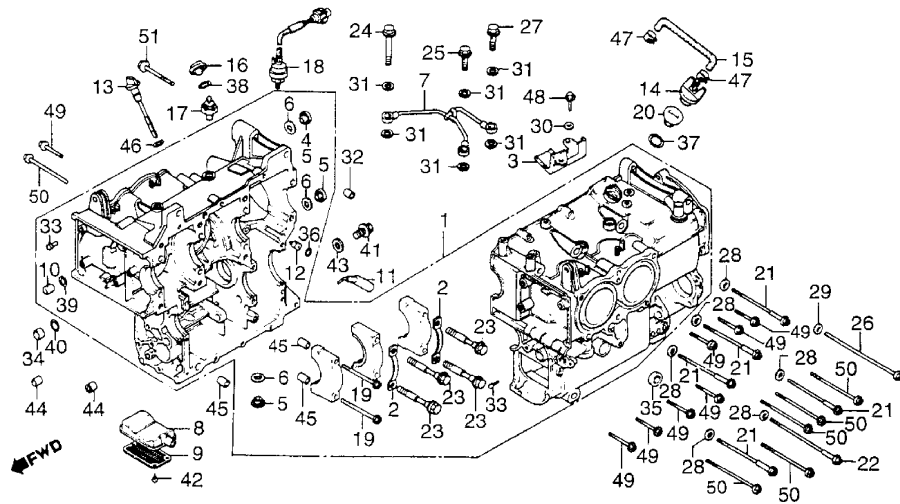
GL1200 '84 GL1200A '84,'85 GL1200I '84,'85 GL1200L '85

Block No.

E 17

Block Title:

CYLINDER BLOCK



Ref. No.	Part No.	Description
17	35500-MJ4-024	SWITCH, OIL PRESSURE '84 MODELS, '85A,I
18	37850-MG9-951	PRESSURE UNIT, OIL '85L
19	90003-371-013	BOLT, FLANGE (10X82)
20	90008-371-000	BOLT, SPECIAL (25MM) '84 MODELS, '85A,I
20	90008-443-000	BOLT, SPECIAL (25MM) '84 MODELS, '85A,I
21	90009-371-003	BOLT, FLG (10X120)
21	90009-371-005	BOLT, FLG (10X120)
21	90009-371-015	BOLT, FLG (10X120)
22	90010-371-003	BOLT (10X166)
22	90010-371-005	BOLT, FLG (10X166)
23	90024-MG9-000	BOLT, FLANGE (12X90)
24	90025-MG9-000	BOLT, OIL
25	90026-MG9-000	BOLT, OIL
26	90026-371-004	BOLT, FLANGE (8X175)
27	90027-MG9-000	BOLT C, OIL
27	90027-MG9-010	BOLT C, OIL
28	90438-463-000	WASHER (11X21X2.3)
29	90441-422-000	WASHER (8MM)
30	90442-397-000	WASHER (6MM)
31	90545-300-000	WASHER, OIL BOLT
32	90702-371-000	COLLAR (15X20)
33	90702-634-300	PIN (4X12MM)
34	90703-371-000	COLLAR (17X10)
35	91206-286-013	OIL SEAL (14X28X7)
36	91259-333-000	O-RING (9.5X1.7)

Catalog Title:

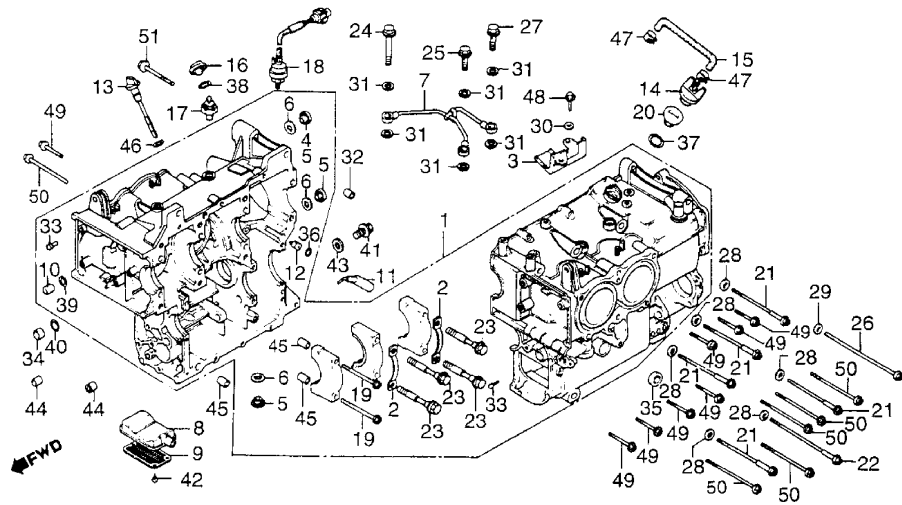
GL1200 '84 GL1200A '84,'85 GL1200I '84,'85 GL1200L '85

Block No.

E 17

Block Title:

CYLINDER BLOCK



Ref. No.	Part No.	Description
37	91307-703-000	O-RING (26MM)
38	91318-500-000	O-RING (27X2.7)
39	91319-300-000	O-RING (13X2.5)
40	91333-KE5-003	O-RING (17.0X2.5)
40	91333-567-010	O-RING (17.0X2.5)
41	92800-14000	BOLT (14MM)
42	93901-12110	SCREW, TAPPING (3X8)
43	94109-14000	WASHER (14MM)
44	94301-08140	PIN, DOWEL (8X14)
45	94301-12200	PIN, DOWEL (12X20)
46	94608-10000	O-RING (8.4X2.4)
47	95002-40750-08	CLIP, TUBE (D7.5) '85L
48	95700-06016-00	BOLT, FLANGE (6X16)
48	95701-06016-00	BOLT, FLANGE (6X16)
49	95700-06035-00	BOLT, FLANGE (6X35)
49	95701-06035-00	BOLT, FLANGE (6X35)
50	95700-06110-00	BOLT, FLANGE (6X110)
50	95701-06110-00	BOLT, FLANGE (6X110)
51	95700-08070-00	BOLT, FLANGE (8X70)
51	95701-08070-00	BOLT, FLANGE (8X70)

Catalog Title:

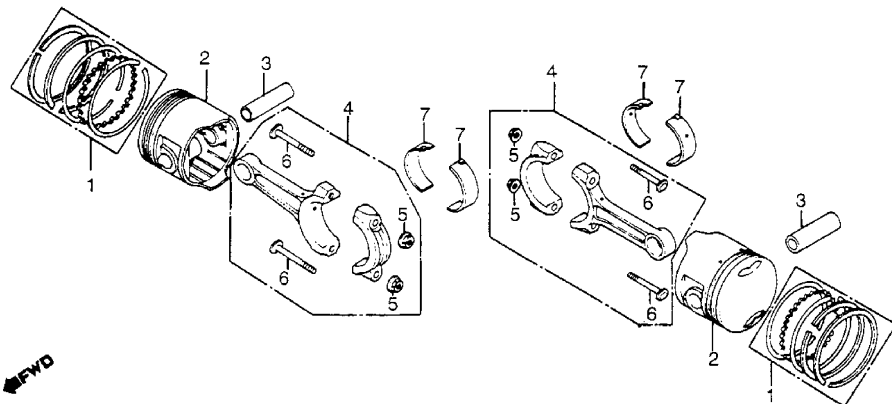
GL1200 '84 GL1200A '84,'85 GL1200I '84,'85 GL1200L '85

Block No.

E 18

Block Title:

PISTON



Ref. No.	Part No.	Description
1	13011-MG9-000	RING SET (STD)
1	13021-MG9-000	RING SET (0.25)
1	13031-MG9-000	RING SET (0.50)
1	13041-MG9-000	RING SET (0.75)
1	13051-MG9-000	RING SET (1.00)
2	13101-MG9-000	PISTON (STD)
2	13101-ML8-600	PISTON (STD)
2	13102-MG9-000	PISTON (0.25)
2	13102-ML8-505	PISTON (0.25)
2	13103-MG9-000	PISTON (0.50)
2	13103-ML8-505	PISTON (0.50)
2	13104-MG9-000	PISTON (0.75)
2	13104-ML8-505	PISTON (0.75)
2	13105-MG9-000	PISTON (1.00)
3	13111-MG9-000	PIN, PISTON
4	13207-MG9-000	ROD F, CONNECTING
4	13208-MG9-000	ROD F, CONNECTING
4	13201-MG9-000	ROD E, CONNECTING
4	13202-MG9-000	ROD E, CONNECTING
4	13203-MG9-000	ROD E, CONNECTING
4	13204-MG9-000	ROD E, CONNECTING
4	13205-MG9-000	ROD E, CONNECTING

Catalog Title:

GL1200 '84 GL1200A '84,'85 GL1200I '84,'85 GL1200L '85

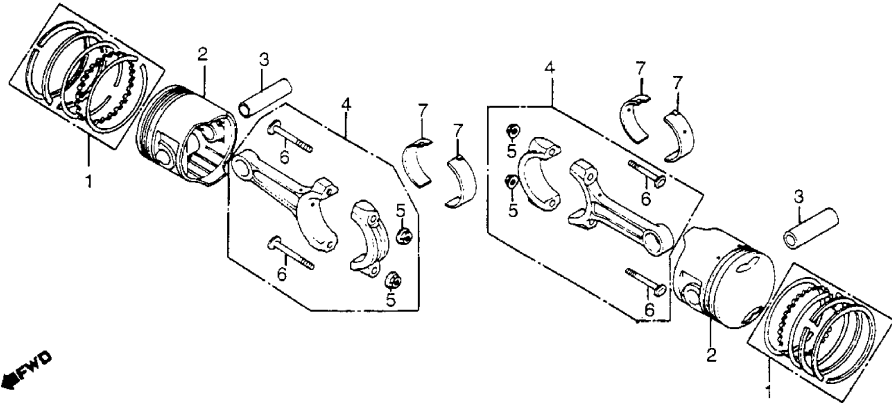
Block No.

E 18

Block Title:

PISTON

Ref. No.	Part No.	Description
4	13205-MG9-405	ROD E, CONNECTING
4	13206-MG9-000	ROD F, CONNECTING
5	13205-634-010	NUT, CONNECTING ROD
5	13205-689-004	NUT, CONNECTING ROD
6	13213-463-003	BOLT, CONNECTING ROD
6	13213-463-004	BOLT, CONNECTING ROD
7	13215-463-003	BEARING A (2&4 BLUE)
7	13216-463-003	BRG B (2&4 BLACK)
7	13217-463-003	BRG C (2&4 BROWN)
7	13218-463-003	BRG D (2&4 GREEN)
7	13219-463-003	BRG E (2&4 YELLOW)



Catalog Title:

GL1200 '84 GL1200A '84,'85 GL1200I '84,'85 GL1200L '85

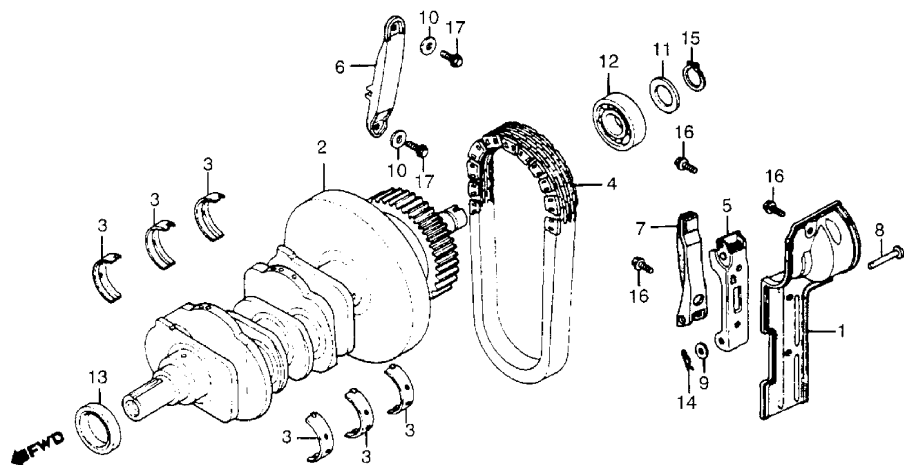
Block No.

E 19

Block Title:

CRANKSHAFT

Ref. No.	Part No.	Description
1	11130-MG9-000	PLATE, BREATHER
2	13310-MG9-000	CRANKSHAFT COMP.
3	13321-MG9-003	BEARING A, MAIN BLUE
3	13321-MG9-005	BEARING A, MAIN BLUE
3	13322-MG9-003	BEARING B, MAIN BLACK
3	13322-MG9-005	BEARING B, MAIN BLACK
3	13323-MG9-003	BEARING C, MAIN BROWN
3	13323-MG9-005	BEARING C, MAIN BROWN
3	13324-MG9-003	BEARING D, MAIN GREEN
3	13324-MG9-005	BEARING D, MAIN GREEN
3	13325-MG9-003	BEARING E, MAIN YELLOW
3	13325-MG9-005	BEARING E, MAIN YELLOW
4	23131-463-003	CHAIN, PRIMARY DRIVE
5	23132-MG9-000	BRACKET COMP TENSIONER
6	23136-463-000	GUIDE, PRIMARY CHAIN
6	23136-463-010	GUIDE, PRIMARY CHAIN
7	23137-MG9-000	TENSIONER
8	23138-MG9-000	PIN (8X45)
9	90405-463-000	WASHER (8MM)
10	90417-041-000	WASHER
11	90453-426-000	WASHER (22.5MM)



Catalog Title:

GL1200 '84 GL1200A '84,'85 GL1200I '84,'85 GL1200L '85

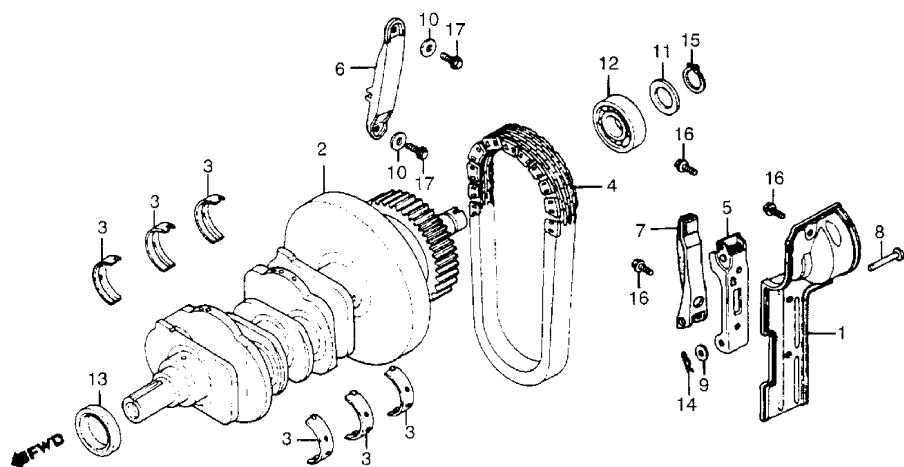
Block No.

E 19

Block Title:

CRANKSHAFT

Ref. No.	Part No.	Description
12	91001-176-014	BEARING (22)
12	91002-HA5-003	BEARING (22)
13	91201-MG9-003	OIL SEAL (35X59X8)
13	91201-MG9-005	OIL SEAL (35X59X8)
14	94251-08000	PIN, LOCK (8MM)
15	94510-22000	CIRCLIP (22MM)
16	95700-06014-00	BOLT, FLANGE (6X14)
16	95701-06014-00	BOLT, FLANGE (6X14)
17	95700-06018-00	BOLT, FLANGE (6X18)



Catalog Title:

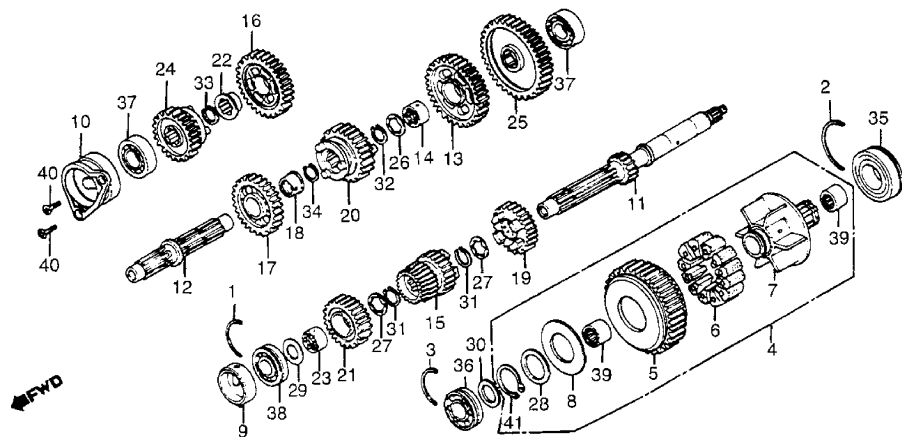
GL1200 '84 GL1200A '84,'85 GL1200I '84,'85 GL1200L '85

Block No.

E 20

Block Title:

TRANSMISSION



Ref. No.	Part No.	Description
1	13495-MG9-000	RING A
2	13496-MG9-000	RING B
3	13497-MG9-000	RING
4	23110-MG9-000	SPROCKET COMP.
5	23111-MG9-000	SPROCKET
6	23114-MG9-000	DAMPER, PRIMARY
7	23121-MG9-000	HUB
8	23125-MG9-000	SPRING
9	23141-MG9-000	PASSAGE
10	23151-431-000	HOLDER C, BEARING '84 MODELS
10	23151-431-010	HOLDER C, BEARING '84 MODELS
10	23151-431-020	HOLDER C, BEARING
11	23211-MG9-000	MAINSHAFT
12	23220-MG9-000	COUNTERSHAFT '84 MODELS
12	23220-MG9-010	COUNTERSHAFT
13	23421-MG9-000	GEAR (37T) '84 MODELS
13	23421-MG9-680	GEAR (36T) '85 MODELS
14	23425-MG9-000	COLLAR, SPLINE (28)
15	23431-MB9-000	GEAR (24T,28T)
16	23441-MG9-000	GEAR (40T) '84 MODELS
16	23441-MG9-010	GEAR (40T)
17	23451-MG9-000	GEAR (35T)

Catalog Title:

GL1200 '84 GL1200A '84,'85 GL1200I '84,'85 GL1200L '85

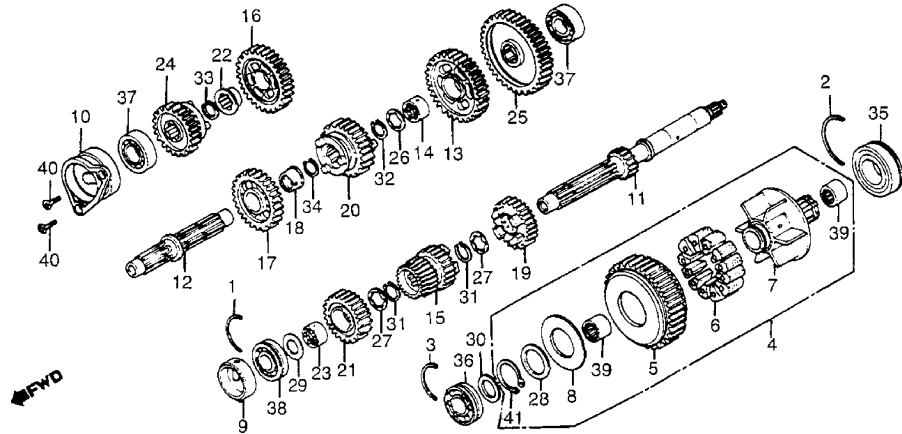
Block No.

E 20

Block Title:

TRANSMISSION

Ref. No.	Part No.	Description
18	23455-463-000	BUSH (31)
19	23460-MB9-000	GEAR COMP. (32T)
20	23471-MG9-000	GEAR (32T)
21	23481-MG9-000	GEAR (35T) '84 MODELS
21	23481-MG9-010	GEAR (35T) '84 MODELS
21	23481-MG9-680	GEAR (35T) '85 MODELS
21	23481-MG9-681	GEAR (35T) '85 MODELS
21	23481-MG9-682	GEAR (35T) '85 MODELS
22	23455-463-000	BUSH (31)
22	23485-410-003	BUSH (28MM)
23	23485-463-000	COLLAR, SPLINE (25)
24	23491-MG9-000	GEAR (29T) '84 MODELS
24	23491-MG9-010	GEAR (29T) '84 MODELS
24	23491-MG9-680	GEAR (28T) '85 MODELS
25	23501-MB9-780	GEAR (39T) '84 MODELS
25	23501-463-000	GEAR (37T) '85 MODELS
25	23501-463-010	GEAR (37T) '85 MODELS
26	90451-422-000	WASHER (28MM)
27	90452-371-000	WASHER (25X34)
28	90453-MG9-000	WASHER, THRUST (45)
29	90458-292-000	WASHER (20MM)
30	90458-506-810	WASHER A (25MM)
31	90601-300-000	CIRCLIP (25MM)
32	90601-422-000	CIRCLIP (28MM)



Catalog Title:

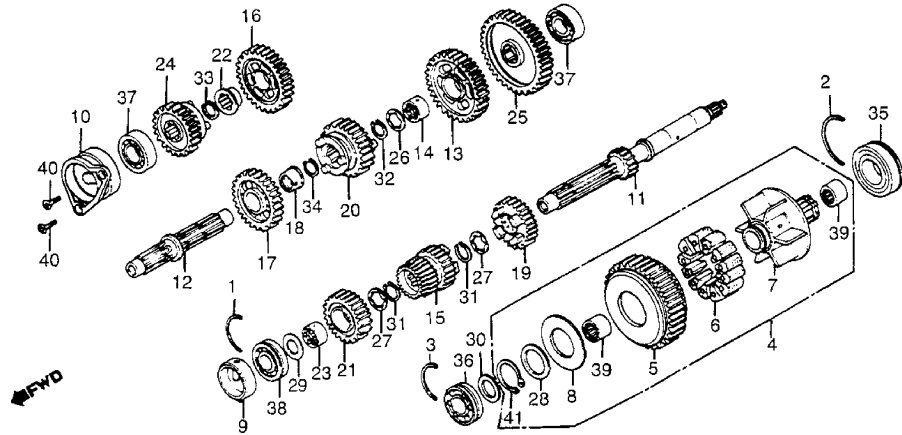
GL1200 '84 GL1200A '84,'85 GL1200I '84,'85 GL1200L '85

Block No.

E 20

Block Title:

TRANSMISSION



Ref. No.	Part No.	Description
33	90601-463-000	CIRCLIP (25MM) '84 MODELS
33	90602-463-000	CIRCLIP (28MM)
34	90602-463-000	CIRCLIP (28MM)
35	91001-463-008	BEARING (6008U)
36	91002-MG9-005	BEARING (62/28)
36	91002-MG9-008	BEARING (62/28)
37	91002-371-004	BEARING (6304C)
37	91003-MG8-003	BEARING (20X52X15)
38	91004-371-008	BEARING (6304CS)
39	91010-300-008	BEARING (25X32X20)
40	93600-06020	SCREW, FLAT (6X20)
40	93600-06020-0A	SCREW, FLAT (6X20)
41	94510-45000	CIRCLIP (45MM)

Catalog Title:

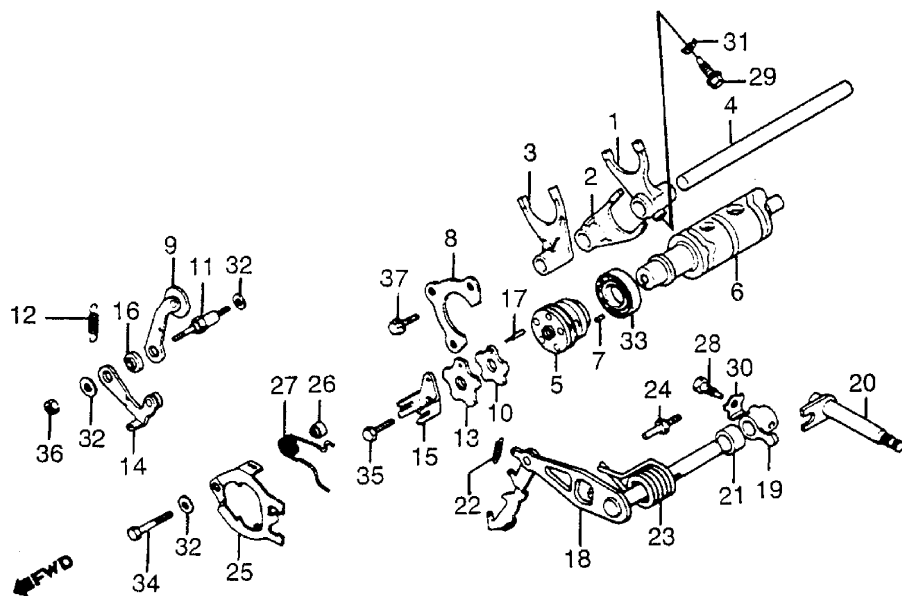
GL1200 '84 GL1200A '84,'85 GL1200I '84,'85 GL1200L '85

Block No.

E 21

Block Title:

SHIFT DRUM / SHIFT FORK

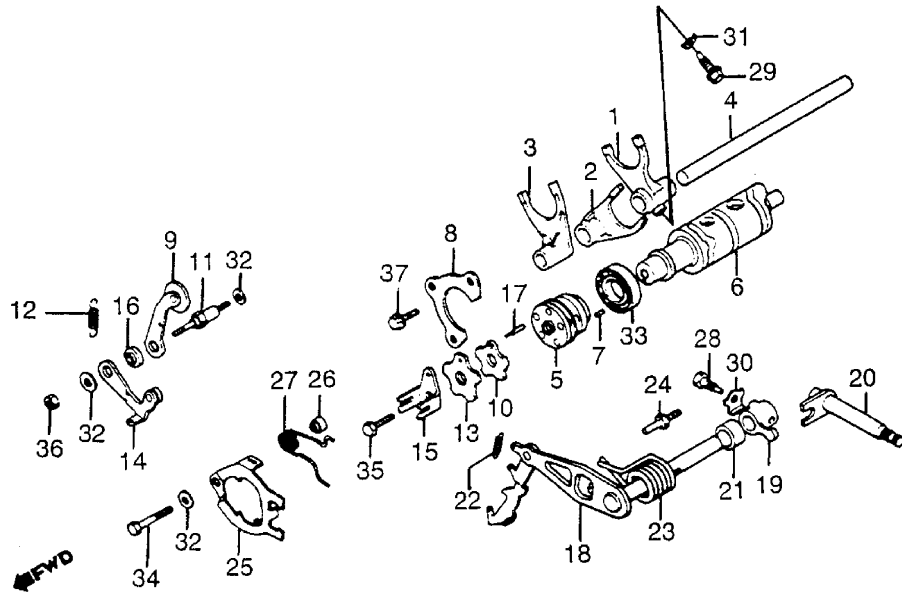


Ref. No.	Part No.	Description
1	24211-MG9-000	FORK, R. GEARSHIFT
2	24212-MG9-000	FORK
3	24213-MG9-000	FORK, L. GEARSHIFT '84 MODELS
3	24213-MG9-010	FORK, L. GEARSHIFT '84 MODELS
3	24213-MG9-020	FORK, L. GEARSHIFT
3	24213-MG9-020	FORK, L. GEARSHIFT
4	24261-MG9-000	SHAFT
4	24261-MG9-010	SHAFT
5	243A0-MG9-300	CENTER
6	24301-MB9-300	DRUM, GEARSHIFT
6	24301-MG9-300	DRUM, GEARSHIFT
7	24306-235-300	PIN, GEARSHIFT DRUM
8	24307-MG9-000	PLATE, DRUM SETTING
9	24430-MB9-000	STOPPER COMP., DRUM
10	24434-MB9-000	PLATE
11	24434-371-000	SHAFT, DRUM STOPPER
12	24435-371-000	SPRING, DRUM STOPPER
13	24436-MB9-000	STOPPER, ROLLER
14	24440-MB9-000	ARM, NEUTRAL STOPPER
15	24443-MB9-000	JOINT '84 MODELS
15	24443-MB9-010	JOINT
16	24447-371-000	COLLAR
17	24501-MB9-000	PIN, GUIDE
18	24610-371-000	ARM COMP., GEARSHIFT

Catalog Title:
GL1200 '84 GL1200A '84,'85 GL1200I '84,'85 GL1200L '85

Block No.
E 21

Block Title:
SHIFT DRUM / SHIFT FORK



Ref. No.	Part No.	Description
19	24615-371-000	ARM B, GEARSHIFT
20	24620-371-000	SPINDLE, GEARSHIFT
21	24624-371-000	COLLAR
22	24641-371-000	SPRING, SHIFT ARM
23	24651-371-000	SPRING, SHIFT RETURN
24	24652-300-000	PIN
25	24661-ML8-000	STOPPER
26	24663-MB9-000	PIVOT
26	24663-MB9-010	PIVOT
27	24666-300-000	SPRING
28	90029-611-000	BOLT, HEX. (8X24)
28	90029-611-010	BOLT, HEX. (8X24)
29	90041-MB0-000	BOLT, SPECIAL (7X18)
30	90406-422-000	WASHER, LOCK (8MM)
31	90407-MB0-000	WASHER, LOCK
32	90417-041-000	WASHER
33	91001-235-300	BEARING (16004)
34	92000-06032	BOLT, HEX. (6X32)
34	92000-06032-0A	BOLT, HEX. (6X32)
34	92101-06032-0A	BOLT, HEX. (6X32)
35	92220-06045-0H	BOLT, HEX. (6X45)
36	94001-06000-0S	NUT, HEX. (6MM)
36	94001-06200-0S	NUT, HEX. (6MM)
37	95700-06016-00	BOLT, FLANGE (6X16)
37	95701-06016-00	BOLT, FLANGE (6X16)

Catalog Title:

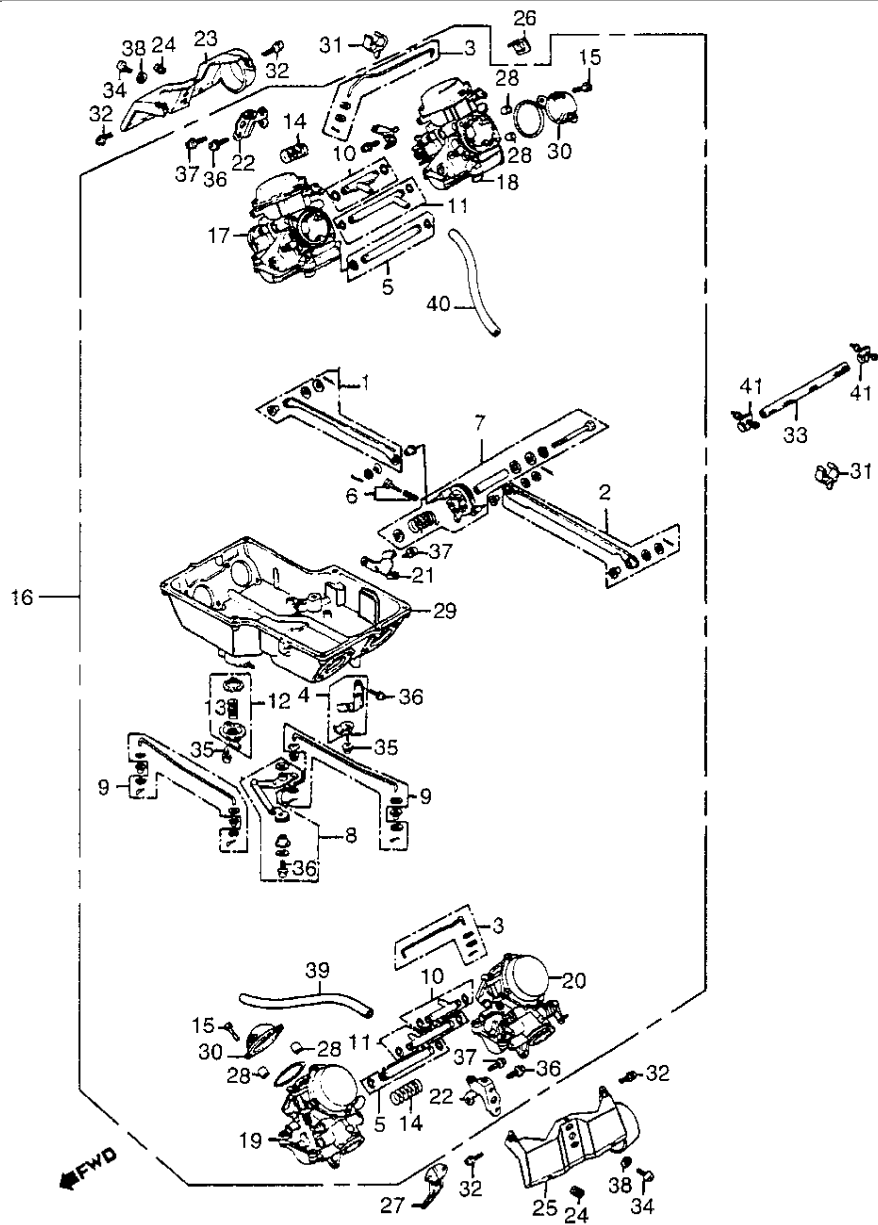
GL1200 '84 GL1200A '84,'85 GL1200I '84,'85 GL1200L '85

Block No.

E 22

Block Title:

CARBURETOR - 1200//A

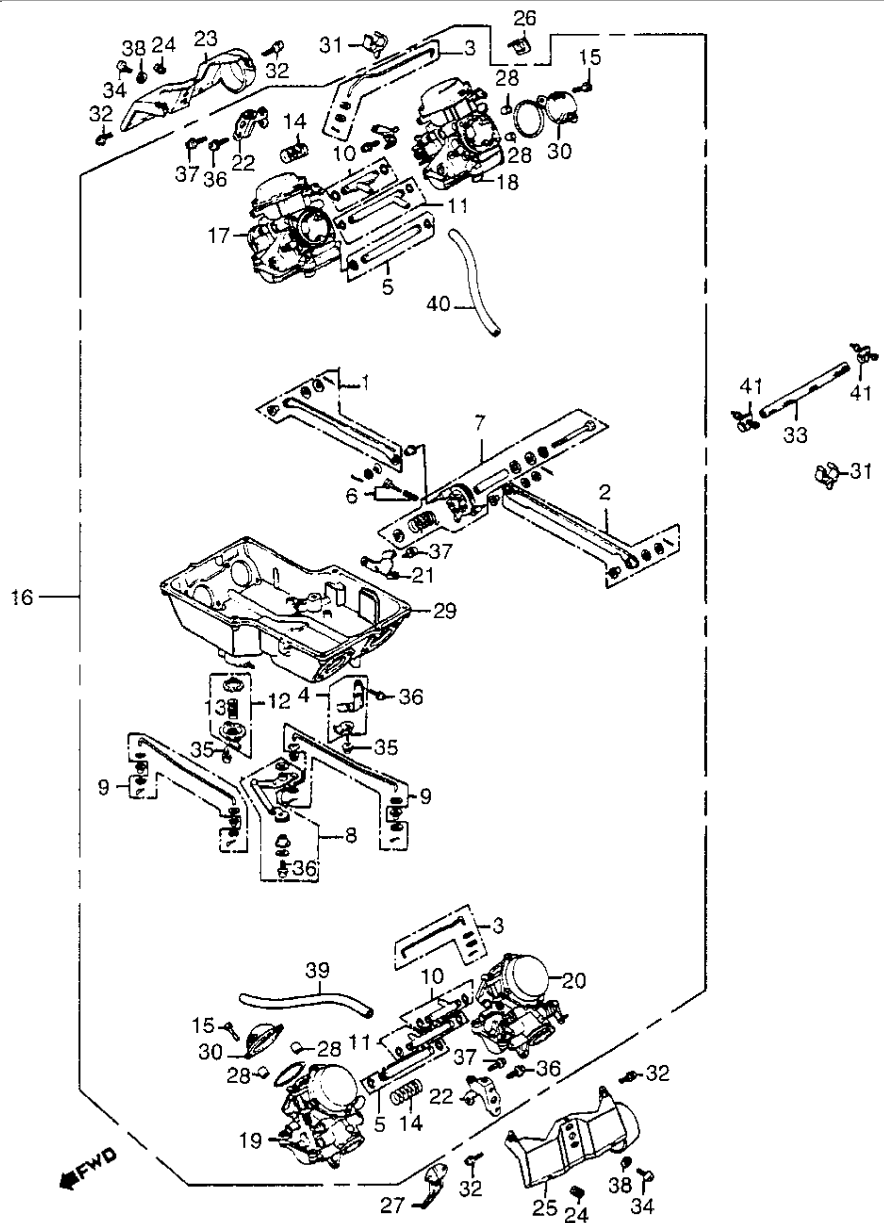


Ref. No.	Part No.	Description
1	16017-MG9-004	LINK SET
2	16018-MG9-004	LINK SET
3	16019-MG9-004	ROD SET
4	16024-MG9-004	PLATE SET, STAY
5	16026-MG9-004	JOINT SET A, FUEL
6	16028-MG9-004	SCREW SET B
7	16030-MG9-004	THROTTLE SET
8	16031-MG9-004	LEVER SET A, STARTER
9	16032-MG9-004	ROD SET A
10	16042-MG9-004	JOINT SET, AIR VENT
11	16047-MG9-004	JOINT SET
12	16048-MG9-671	VALVE SET, AIR CUT

Catalog Title:
GL1200 '84 GL1200A '84,'85 GL1200I '84,'85 GL1200L '85

Block No.
E 22

Block Title:
CARBURETOR - 1200//A

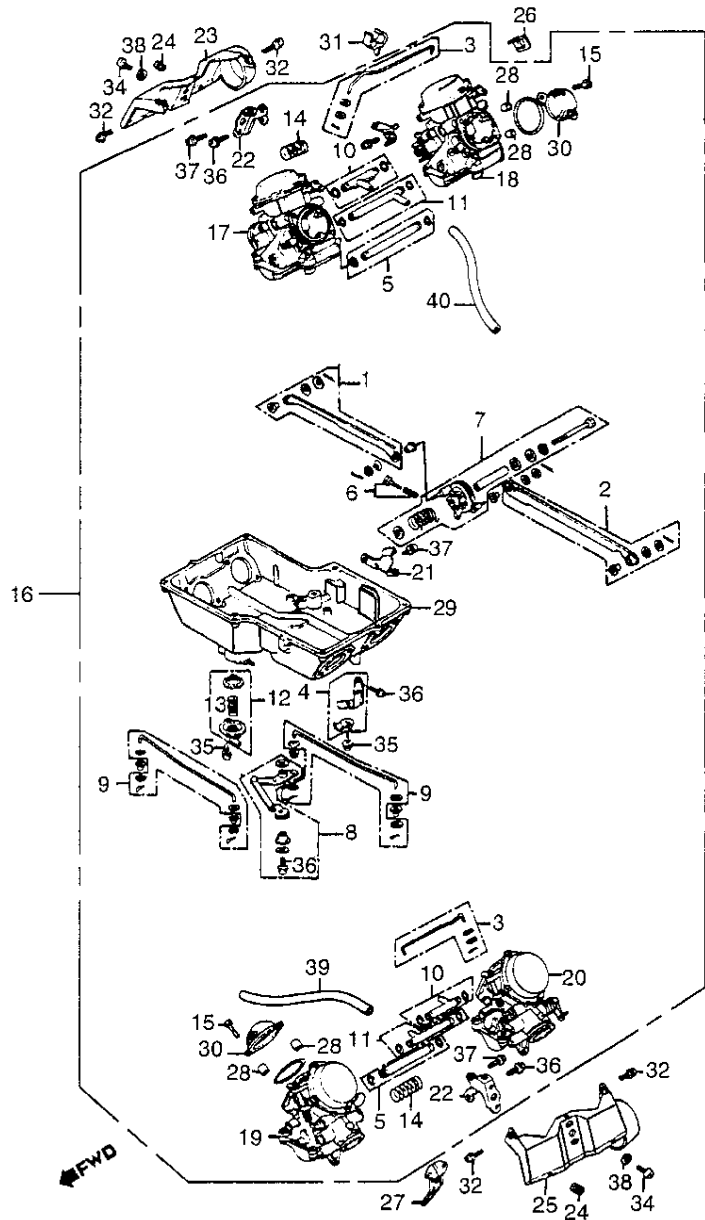


Ref. No.	Part No.	Description
12	16048-MG9-741	VALVE SET, AIR CUT
13	16050-MG9-641	SPRING
14	16053-MG9-004	SPRING
15	16080-MB0-671	SCREW, PAN
16	16100-MG9-024	CARBURETOR ASSY. '84 MODELS '85I
16	16100-MG9-034	CARBURETOR ASSY. '84 MODELS '85I
16	16100-MG9-044	CARBURETOR ASSY. '84 MODELS '85I
16	16100-MG9-054	CARBURETOR ASSY. '84 MODELS '85I

Catalog Title:
GL1200 '84 GL1200A '84,'85 GL1200I '84,'85 GL1200L '85

Block No.
E 22

Block Title:
CARBURETOR - 1200//A

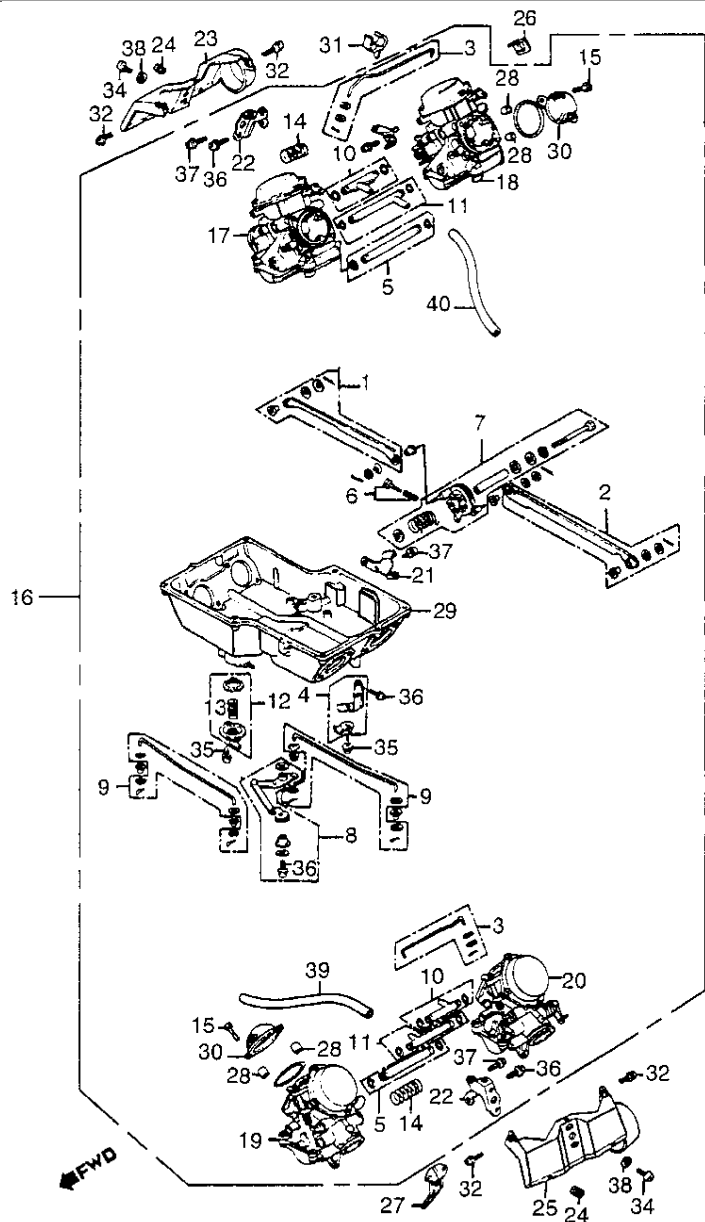


Ref. No.	Part No.	Description
16	16100-MG9-641	CARBURETOR ASSY. '84 MODELS
16	16100-MG9-642	CARBURETOR ASSY. '84 MODELS
16	16100-MG9-643	CARBURETOR ASSY. '84 MODELS
16	16100-MG9-004	CARBURETOR ASSY. '84 MODELS '85I
16	16100-MG9-014	CARBURETOR ASSY. '84 MODELS, '85I
16	16100-MG9-742	CARBURETOR ASSY. '85A, '85I
16	16100-MG9-743	CARBURETOR ASSY. '85A, '85I
16	16100-MG9-744	CARBURETOR ASSY. '85A, '85I
16	16100-MG9-681	CARBURETOR ASSY. '85A, '85I
16	16100-MG9-682	CARBURETOR ASSY. '85A, '85I
16	16100-MG9-683	CARBURETOR ASSY. '85A, '85I
16	16100-MG9-684	CARBURETOR ASSY. '85A, '85I
17	16101-MG9-004	CARBURETOR, R. FR. '84 MODELS
17	16101-MG9-014	CARBURETOR, R. FR. '84 MODELS

Catalog Title:
GL1200 '84 GL1200A '84,'85 GL1200I '84,'85 GL1200L '85

Block No.
E 22

Block Title:
CARBURETOR - 1200//A



Ref. No.	Part No.	Description
17	16101-MG9-024	CARBURETOR, R. FR. '84 MODELS
17	16101-MG9-034	CARBURETOR, R. FR. '84 MODELS
17	16101-MG9-641	CARBURETOR, R. FR. '84 MODELS
17	16101-MG9-741	CARBURETOR, R. FR. '85A, '85I
17	16101-MG9-682	CARBURETOR, R. FR. '85A, '85I
18	16102-MG9-004	CARBURETOR, R. RR. '84 MODELS
18	16102-MG9-014	CARBURETOR, R. RR. '84 MODELS
18	16102-MG9-024	CARBURETOR, R. RR. '84 MODELS
18	16102-MG9-034	CARBURETOR, R. RR. '84 MODELS
18	16102-MG9-641	CARBURETOR, R. RR. '84 MODELS
18	16102-MG9-682	CARBURETOR, R. RR. '85A
18	16102-MG9-741	CARBURETOR, R. RR. '85A, '85I
19	16103-MG9-004	CARBURETOR, L. FR. '84 MODELS
19	16103-MG9-014	CARBURETOR, L. FR. '84 MODELS
19	16103-MG9-024	CARBURETOR, L. FR. '84 MODELS
19	16103-MG9-044	CARBURETOR, L. FR. '84 MODELS

Catalog Title:

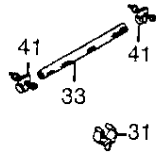
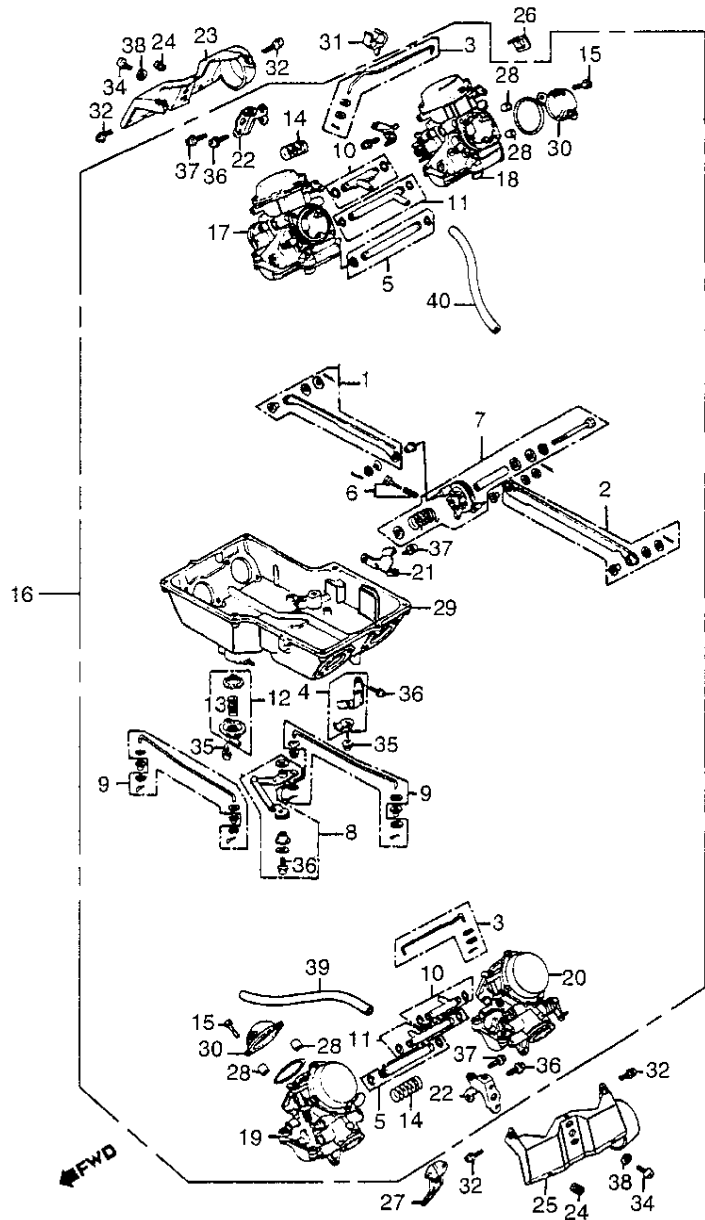
GL1200 '84 GL1200A '84,'85 GL1200I '84,'85 GL1200L '85

Block No.

E 22

Block Title:

CARBURETOR - 1200//A



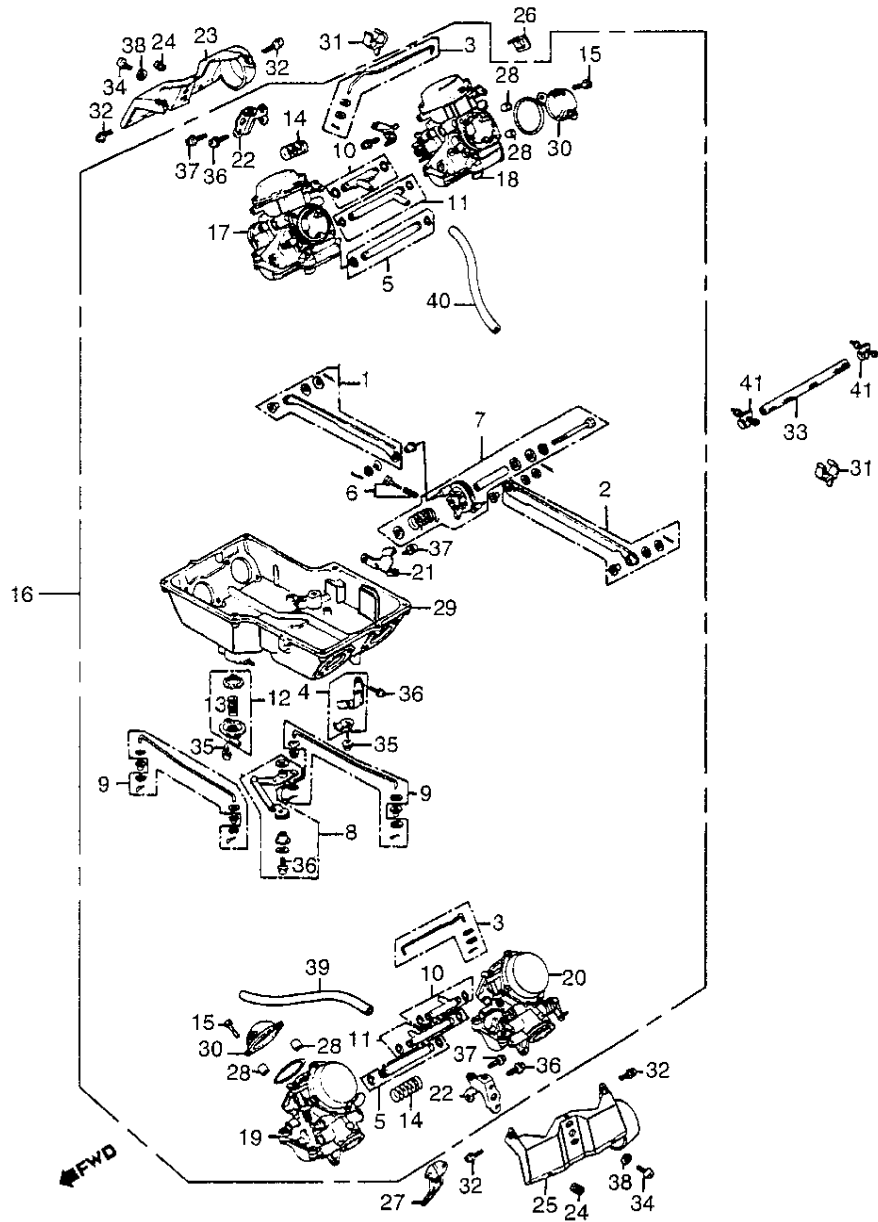
Ref. No.	Part No.	Description
19	16103-MG9-642	CARBURETOR, L. FR. '84 MODELS
19	16103-MG9-741	CARBURETOR, L. FR. '85A '85I
19	16103-MG9-742	CARBURETOR, L. FR. '85A '85I
19	16103-MG9-682	CARBURETOR, L. FR. '85A '85I
20	16104-MG9-004	CARBURETOR, L. RR. '84 MODELS
20	16104-MG9-014	CARBURETOR, L. RR. '84 MODELS
20	16104-MG9-024	CARBURETOR, L. RR. '84 MODELS
20	16104-MG9-044	CARBURETOR, L. RR. '84 MODELS
20	16104-MG9-642	CARBURETOR, L. RR. '84 MODELS
20	16104-MG9-741	CARBURETOR, L. RR. '85A '85I
20	16104-MG9-742	CARBURETOR, L. RR. '85A '85I
20	16104-MG9-682	CARBURETOR, L. RR. '85A '85I
21	16119-MG9-004	STAY, PLATE
22	16120-MG9-004	PLATE, STAY
23	16140-MG9-000	COVER, R. CARBURETOR '84
23	16140-MG9-770	COVER, R. CARBURETOR '84A, '84I, '85A, '85I

Catalog Title:
GL1200 '84 GL1200A '84,'85 GL1200I '84,'85 GL1200L '85

Block No.
E 22

Block Title:
CARBURETOR - 1200//A

Ref. No.	Part No.	Description
41	95002-01120	CLIP A12, TUBE '84 MODELS
41	90602-MG9-680	CLIP A12, TUBE '85A, '85I



Catalog Title:

GL1200 '84 GL1200A '84,'85 GL1200I '84,'85 GL1200L '85

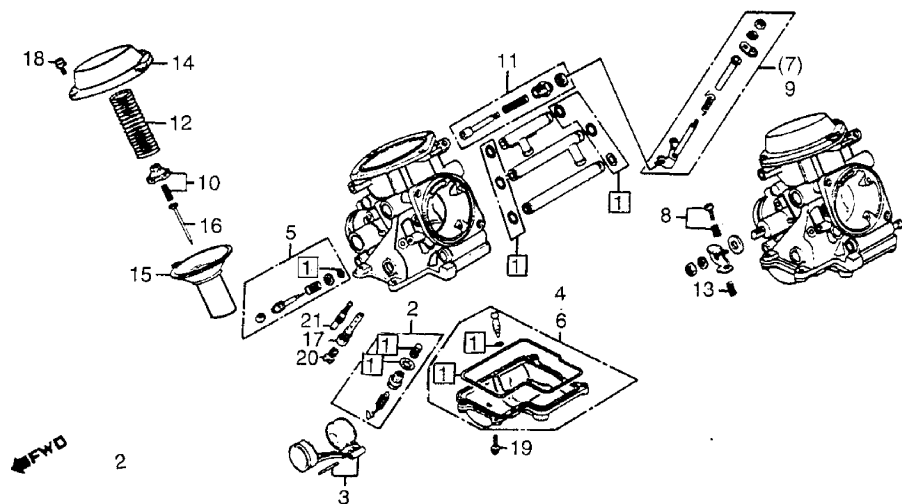
Block No.

E 2201

Block Title:

CARBURETOR COMP. PARTS - 1200//A

Ref. No.	Part No.	Description
1	16010-MG9-004	GASKET SET
1	16010-MG9-014	GASKET SET
1	16010-MG9-691	GASKET SET
2	16011-MB1-671	VALVE SET, FLOAT
3	16013-MB0-671	FLOAT SET
4	16015-MG9-004	CHAMBER SET, FLOAT
5	16016-MB0-671	SCREW SET A
5	16016-ME3-003	SCREW SET A
5	16016-ME9-671	SCREW SET A
6	16023-MG9-004	CHAMBER SET, FLOAT
7	16025-MG9-004	LINK SET A, STARTER
8	16029-KE8-004	SCREW SET C
9	16035-MG9-004	LINK SET B, STARTER
10	16037-ME5-671	PLATE SET, VALVE
11	16046-MA6-003	VALVE SET, STARTER '84 MODELS
11	16046-MG9-681	VALVE SET, STARTER '85A, '85I
12	16050-MG9-004	SPRING
12	16051-MG9-004	SPRING
13	16052-ME9-672	SPRING '84 MODELS
13	16053-KG4-003	SPRING '85A, '85I
13	16053-KM4-004	SPRING '85A, '85I

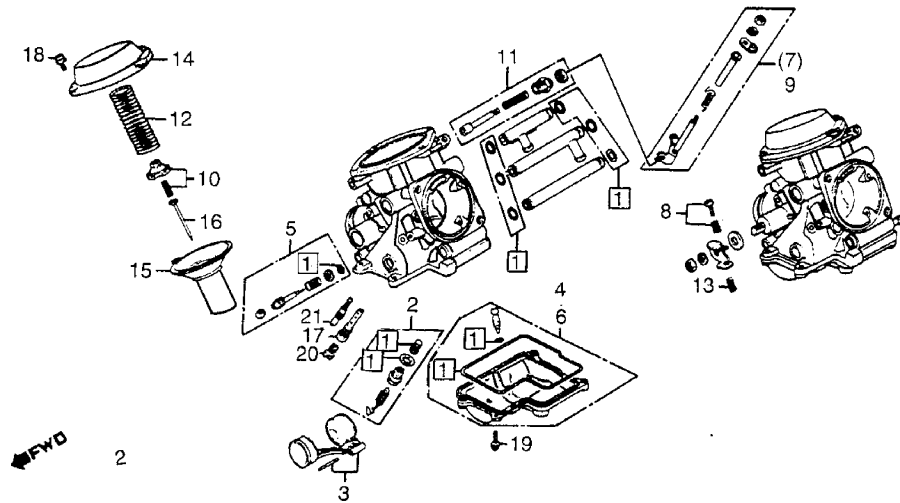


Catalog Title:
GL1200 '84 GL1200A '84,'85 GL1200I '84,'85 GL1200L '85

Block No.
E 2201

Block Title:
CARBURETOR COMP. PARTS - 1200//A

Ref. No.	Part No.	Description
14	16107-MG9-004	TOP
15	16111-MG9-004	VALVE, THROTTLE
16	16131-MG9-004	NEEDLE, JET '84 MODELS
16	16131-MG9-014	NEEDLE, JET '84 MODELS
16	16131-MG9-024	NEEDLE, JET '84 MODELS
16	16131-MG9-641	NEEDLE, JET '84 MODELS
16	16151-MG9-741	NEEDLE, JET '85A, '85I
16	16151-MG9-682	NEEDLE, JET '85 MODELS
17	16165-MG9-004	HOLDER, NEEDLE JET '84 MODELS
17	16165-MG9-014	HOLDER, NEEDLE JET '84 MODELS
17	16166-MG9-004	HOLDER, NEEDLE JET '84 MODELS '85A
17	16165-MG9-641	HOLDER, NEEDLE JET '84 MODELS '85A, '85I
18	93892-04014-10	SCREW-WASHER (4X14)
18	93500-04014-0A	SCREW, PAN (4X14)
19	93892-04016-00	SCREW-WASHER (4X16)
19	93892-04016-10	SCREW-WASHER (4X16)
20	99101-GHB-1250	JET, MAIN (#125)
20	99101-393-1250	JET, MAIN (#125)
20	99101-GHB-1080	JET, MAIN (#108)

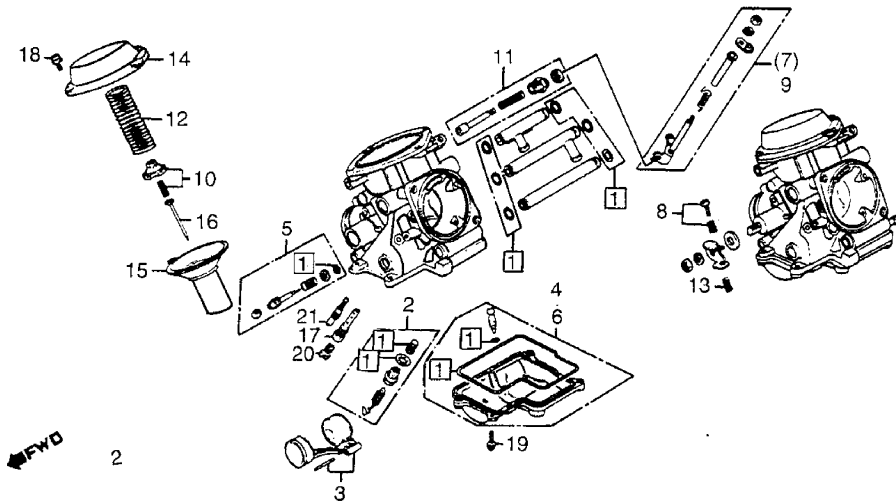


Catalog Title:
GL1200 '84 GL1200A '84,'85 GL1200I '84,'85 GL1200L '85

Block No.
E 2201

Block Title:
CARBURETOR COMP. PARTS - 1200//A

Ref. No.	Part No.	Description
20	99101-393-1080	JET, MAIN (#108)
21	99103-437-0350	JET, SLOW (#35)



Catalog Title:

GL1200 '84 GL1200A '84,'85 GL1200I '84,'85 GL1200L '85

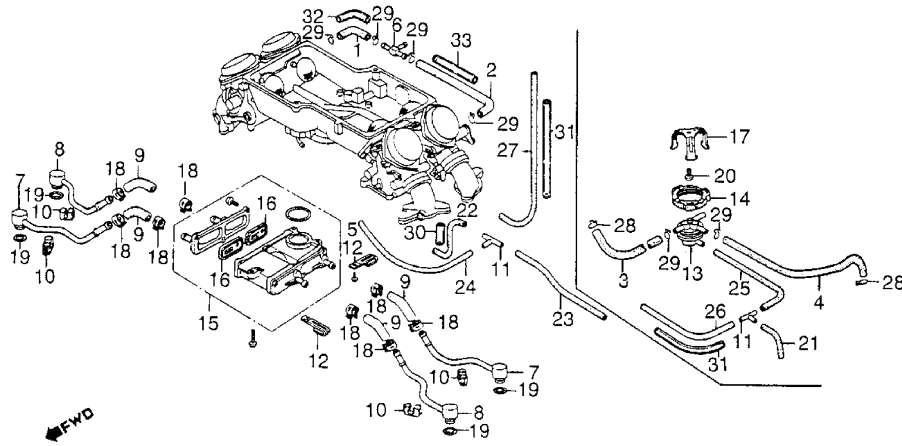
Block No.

E 23

Block Title:

AIR SUCTION VALVE / PURGE CONTROL VALVE - GL1200A/I

Ref. No.	Part No.	Description
1	16191-MG9-000	TUBE, R. FUEL
2	16192-MG9-000	TUBE, L. FUEL
3	16211-MG9-740	TUBE, FUEL (4.5X270)
4	16199-KL4-004	PIPE, AIR VENT
4	16212-MG9-740	PIPE, AIR VENT
5	16179-ME5-761	BINDER
6	16958-MG9-000	JOINT, FUEL TUBE
7	17130-MG9-000	PIPE COMP., AIR FEED
8	17140-MG9-000	PIPE COMP., AIR FEED
9	17150-MG9-000	HOSE, AIR FEED
10	17151-MG9-000	RUBBER
11	17201-MG9-000	JOINT, VACUUM TUBE
12	17215-MG9-000	CLAMP A, TUBE
13	17440-MG9-640	VALVE, PURGE CONTROL '84 MODELS
13	17440-MG9-641	VALVE, PURGE CONTROL '85A, '85I '84 MODELS
14	17451-MG9-640	RUBBER '84 MODELS

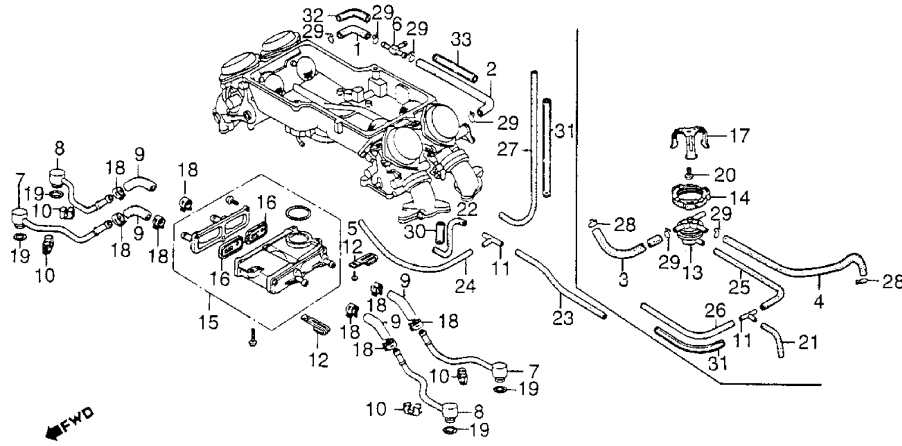


Catalog Title:
GL1200 '84 GL1200A '84,'85 GL1200I '84,'85 GL1200L '85

Block No.
E 23

Block Title:
AIR SUCTION VALVE / PURGE CONTROL VALVE - GL1200A/I

Ref. No.	Part No.	Description
14	17451-MG9-641	RUBBER '84 MODELS
14	17451-MG9-642	RUBBER '85A, '85I
15	18600-MG9-004	VALVE, AIR SUCTION
15	18600-MG9-014	VALVE, AIR SUCTION
16	18601-MG9-005	VALVE COMP., REED
17	18716-MG9-640	STAY
18	53729-671-003	CLAMP D (15.5MM)
19	91305-422-000	O-RING (9.8X2.4)
19	91352-425-003	O-RING (9.8X2.4)
20	93892-04008	SCREW-WASHER (4X8)
20	93892-04008-00	SCREW-WASHER (4X8)
21	95001-35003-40M	BULK HOSE (3.5X3000)
22	95001-35003-40M	BULK HOSE (3.5X3000)
23	95001-35003-40M	BULK HOSE (3.5X3000)
24	95001-35003-40M	BULK HOSE (3.5X3000)
25	95001-35003-40M	BULK HOSE (3.5X3000)
26	95001-35003-40M	BULK HOSE (3.5X3000)
27	95001-35003-40M	BULK HOSE (3.5X3000)



Catalog Title:

GL1200 '84 GL1200A '84,'85 GL1200I '84,'85 GL1200L '85

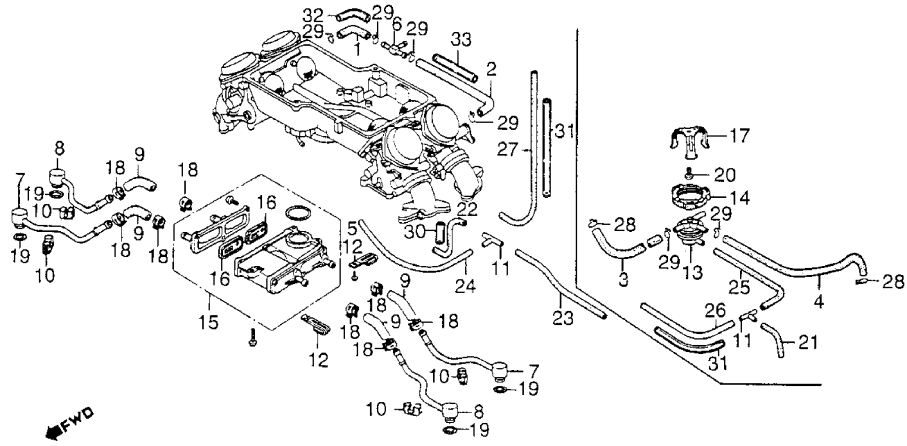
Block No.

E 23

Block Title:

AIR SUCTION VALVE / PURGE CONTROL VALVE - GL1200A/I

Ref. No.	Part No.	Description
28	95002-02080	CLIP, TUBE (B8)
29	95002-02100	CLIP, TUBE (B10)
30	95003-21005-20	TUBE, VINYL (8X9X50)
31	95003-21020-20	TUBE (8X9X200)
31	95003-21200-20	TUBE (8X9X2000)
32	95003-36008-10M	BULK HOSE, VINYL
33	95003-36008-10M	BULK HOSE, VINYL

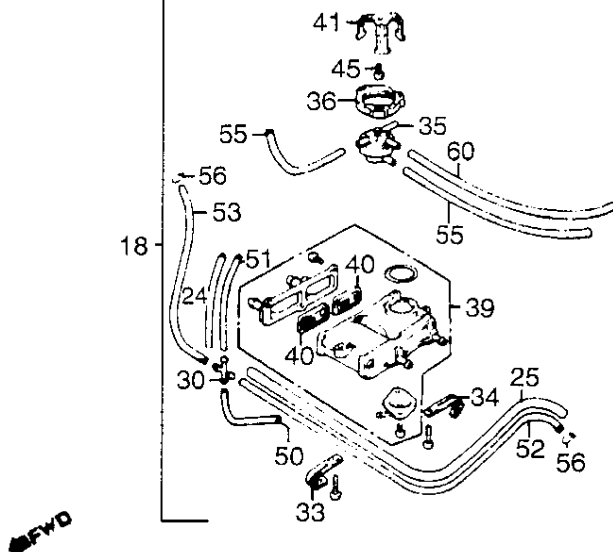
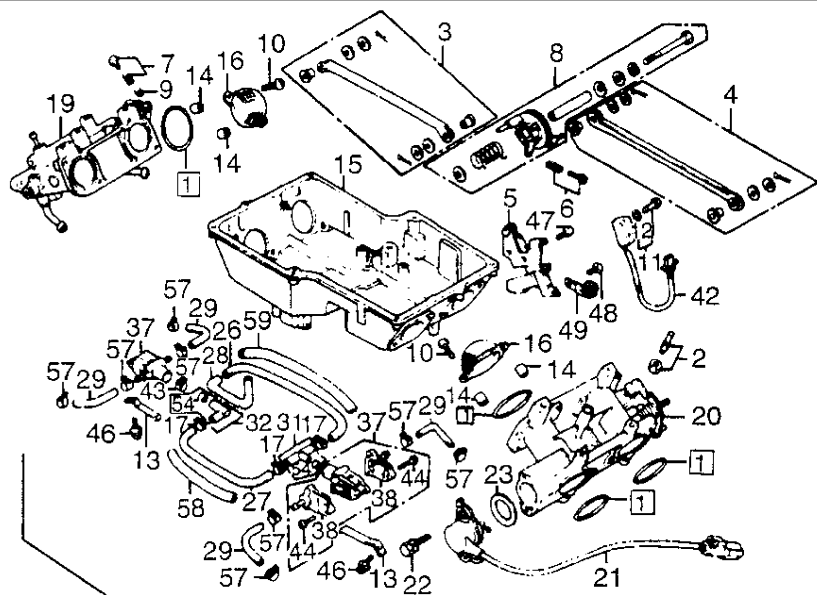


Catalog Title:
GL1200 '84 GL1200A '84,'85 GL1200I '84,'85 GL1200L '85

Block No.
E 24

Block Title:
THROTTLE BODY - GL1200L '85

Ref. No.	Part No.	Description
1	16010-MG9-951	GASKET SET
2	16016-MG9-951	SCREW SET
3	16017-MG9-951	LINK SET A
4	16018-MG9-951	LINK SET B
5	16027-MG9-741	PLATE SET, STAY
6	16028-MG9-004	SCREW SET B
7	16029-KE8-004	SCREW SET C
8	16030-MG9-951	THROTTLE SET
9	16052-KG4-003	SPRING
9	16052-MB0-671	SPRING
10	16080-MB0-671	SCREW, PAN
11	16080-MG9-741	SCREW SET
12	16085-MG9-741	WASHER, PLAIN
13	16119-MG9-951	STAY, PLATE
14	16178-MB0-671	PIN, KNOCK
15	16188-MG9-841	BASE, AIR CLEANER
15	16188-MG9-951	BASE A, AIR CLEANER
16	16196-MG9-004	TRAP COMP., FRAME
17	16968-MC7-000	CLIP B, FUEL HOSE
18	17100-MG9-841	BODY ASSY., THROTTLE
18	17100-MG9-842	BODY ASSY., THROTTLE
18	17100-MG9-951	BODY ASSY., THROTTLE
18	17100-MG9-952	BODY ASSY., THROTTLE
19	17101-MG9-841	BODY, R. THROTTLE

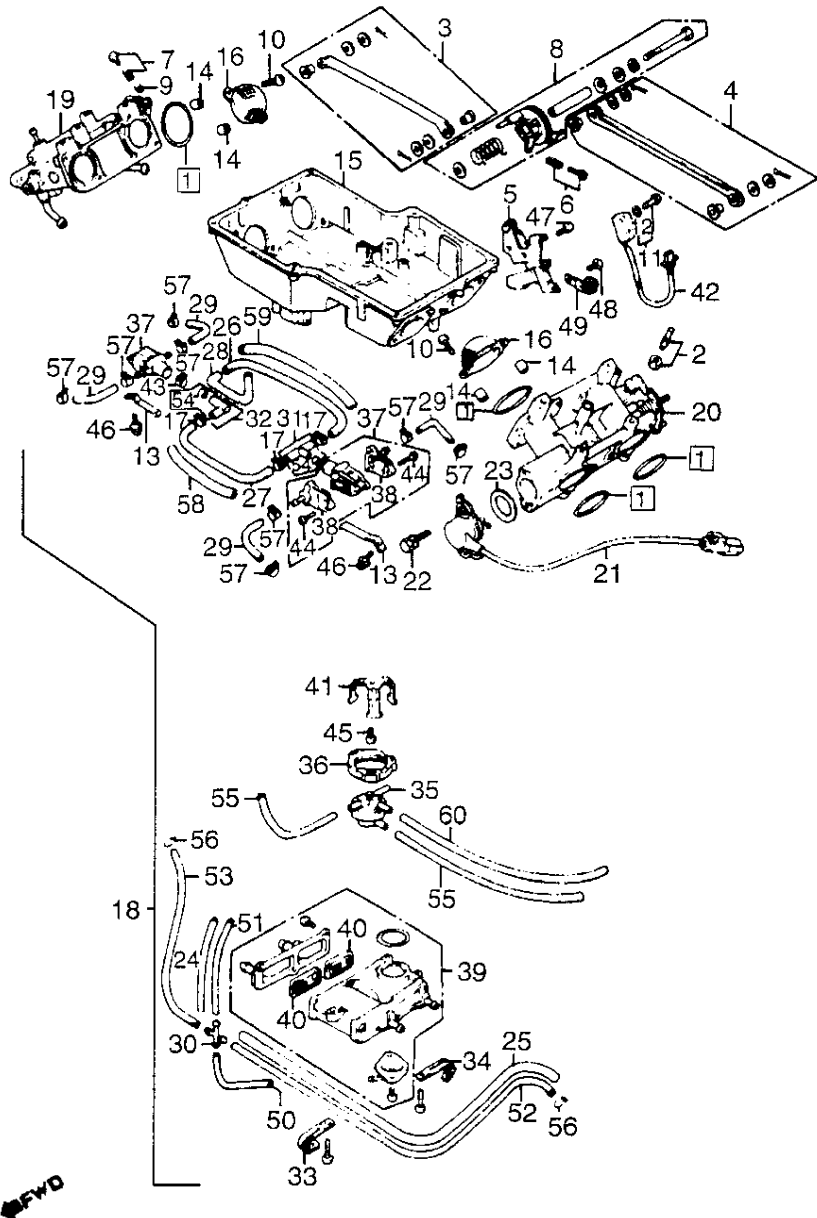


Catalog Title:
GL1200 '84 GL1200A '84,'85 GL1200I '84,'85 GL1200L '85

Block No.
E 24

Block Title:
THROTTLE BODY - GL1200L '85

Ref. No.	Part No.	Description
19	17101-MG9-951	BODY, R. THROTTLE
20	17102-MG9-841	BODY, L. THROTTLE
20	17102-MG9-951	BODY, L. THROTTLE
21	17135-MG9-951	SENSOR, THROTTLE
22	17147-MC7-003	BOLT (6X16)
23	17149-MC7-003	GASKET, SENSOR
24	17171-MG9-950	TUBE (8.2X9.2X200)
25	17172-MG9-950	TUBE (8.2X9.2X230)
26	17191-MG9-950	TUBE A, AIR
27	17192-MG9-950	TUBE B, AIR
28	17193-MG9-950	TUBE C, AIR
29	17194-MG9-950	TUBE D, AIR
30	17204-MG9-950	JOINT, VACUUM TUBE
31	17205-MG9-950	JOINT A, AIR TUBE
32	17206-MG9-950	JOINT B, AIR TUBE
32	17206-MG9-950	JOINT B, AIR TUBE
32	17220-MG9-950	JOINT, AIR TUBE
33	17215-MG9-000	CLAMP A, TUBE
34	17215-MG9-840	CLAMP, TUBE
34	17215-MG9-950	CLAMP, TUBE
35	17440-MG9-641	VALVE, PURGE CONTROL
36	17451-MG9-642	RUBBER



Catalog Title:

GL1200 '84 GL1200A '84,'85 GL1200I '84,'85 GL1200L '85

Block No.

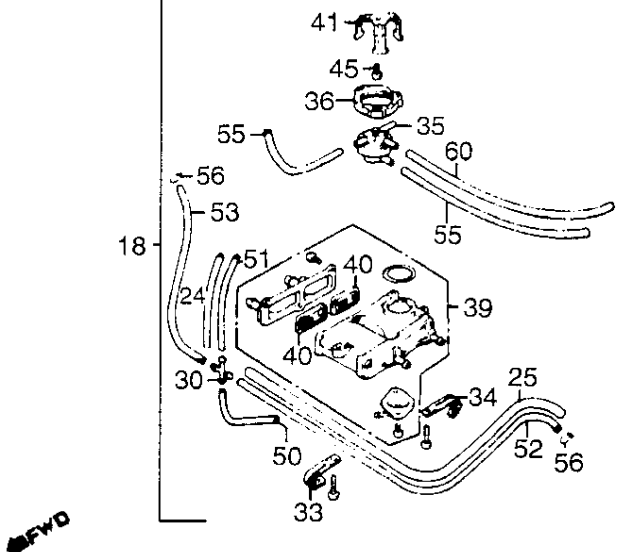
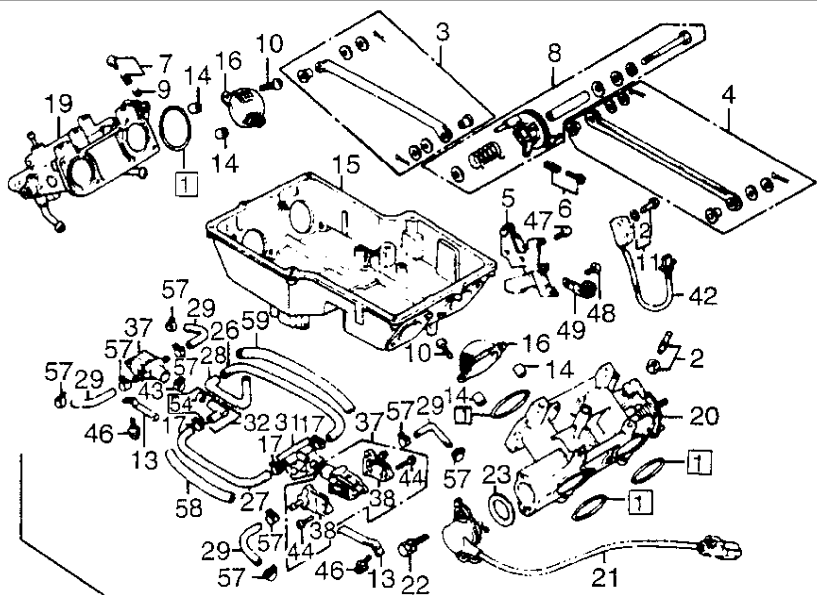
E 24

Block Title:

THROTTLE BODY - GL1200L '85

Ref. No. Part No. Description

37	17820-MG9-951	VALVE ASSY., REED
37	17820-MG9-952	VALVE ASSY., REED
38	17822-MG9-951	COVER, REED VALVE
39	18600-MG9-951	VALVE, AIR SUCTION
40	18601-MG9-005	VALVE COMP., REED
41	18716-MG9-640	STAY
42	35360-MG9-951	SWITCH, GRIP CANCEL
43	90701-MF5-003	CLAMP (21MM)
44	93500-04014-0A	SCREW, PAN (4X14)
45	93892-04008-00	SCREW-WASHER (4X8)
46	93892-05010-08	SCREW-WASHER (5X10)
47	93892-05014-08	SCREW-WASHER (5X14)
48	93892-05020-08	SCREW-WASHER (5X20)
49	94591-44000	CLIP (4X40)
50	95001-35003-40M	BULK HOSE (3.5X3000)
51	95001-35003-40M	BULK HOSE (3.5X3000)
52	95001-35003-40M	BULK HOSE (3.5X3000)
53	95001-35003-40M	BULK HOSE (3.5X3000)
54	95001-55008-40M	BULK HOSE (5.5X8000)
55	95001-55008-40M	BULK HOSE (5.5X8000)
56	95002-02080	CLIP, TUBE (B8)
57	17836-MC7-000	CLAMP
57	95002-41250-08	CLIP, TUBE (D12.5)
58	95003-55019-20	TUBE (17.5X20.5X190)
59	95003-55027-20	TUBE (17.5X20.5X270)

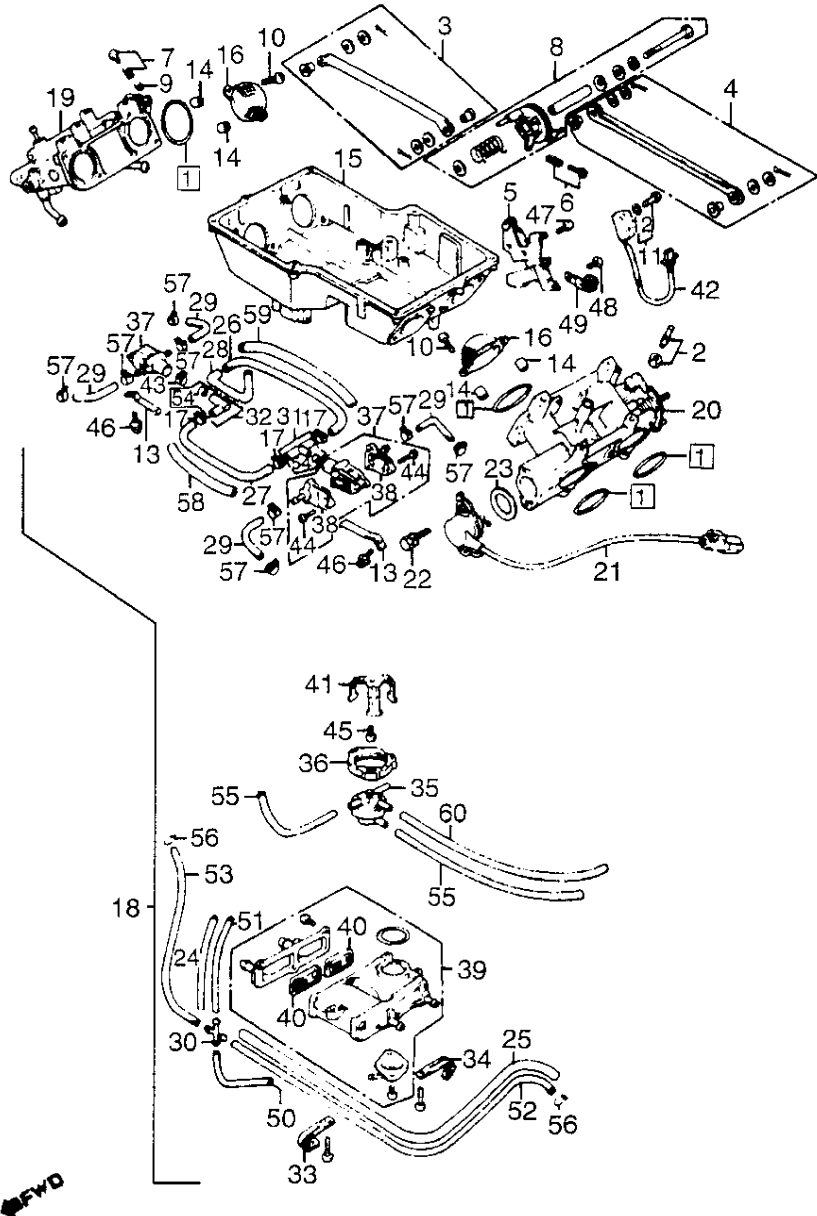


Catalog Title:
GL1200 '84 GL1200A '84,'85 GL1200I '84,'85 GL1200L '85

Block No.
E 24

Block Title:
THROTTLE BODY - GL1200L '85

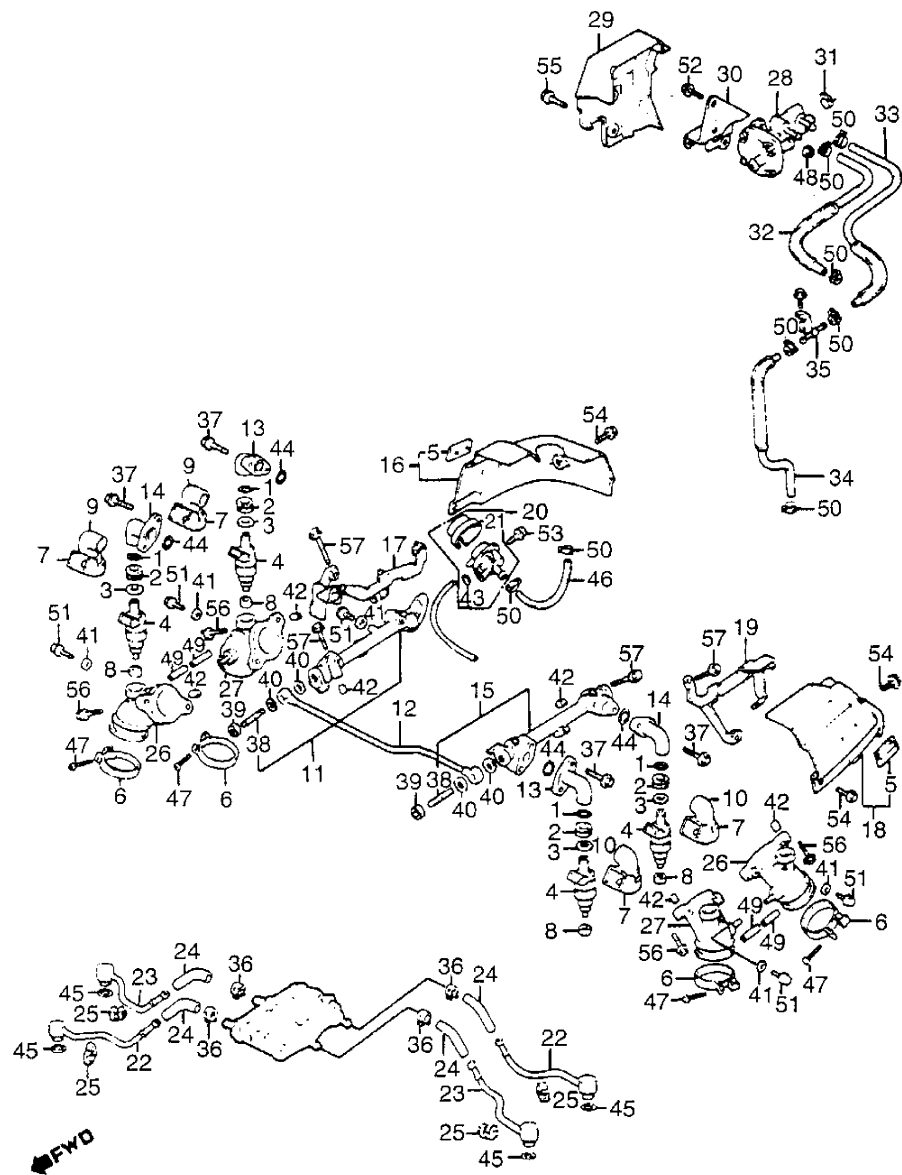
Ref. No.	Part No.	Description
60	95005-35008-10M	BULK HOSE (3.5X8000)



Catalog Title:
GL1200 '84 GL1200A '84,'85 GL1200I '84,'85 GL1200L '85

Block No.
E 25

Block Title:
FUEL INJECTOR / FUEL DELIVERY PIPE - GL1200L

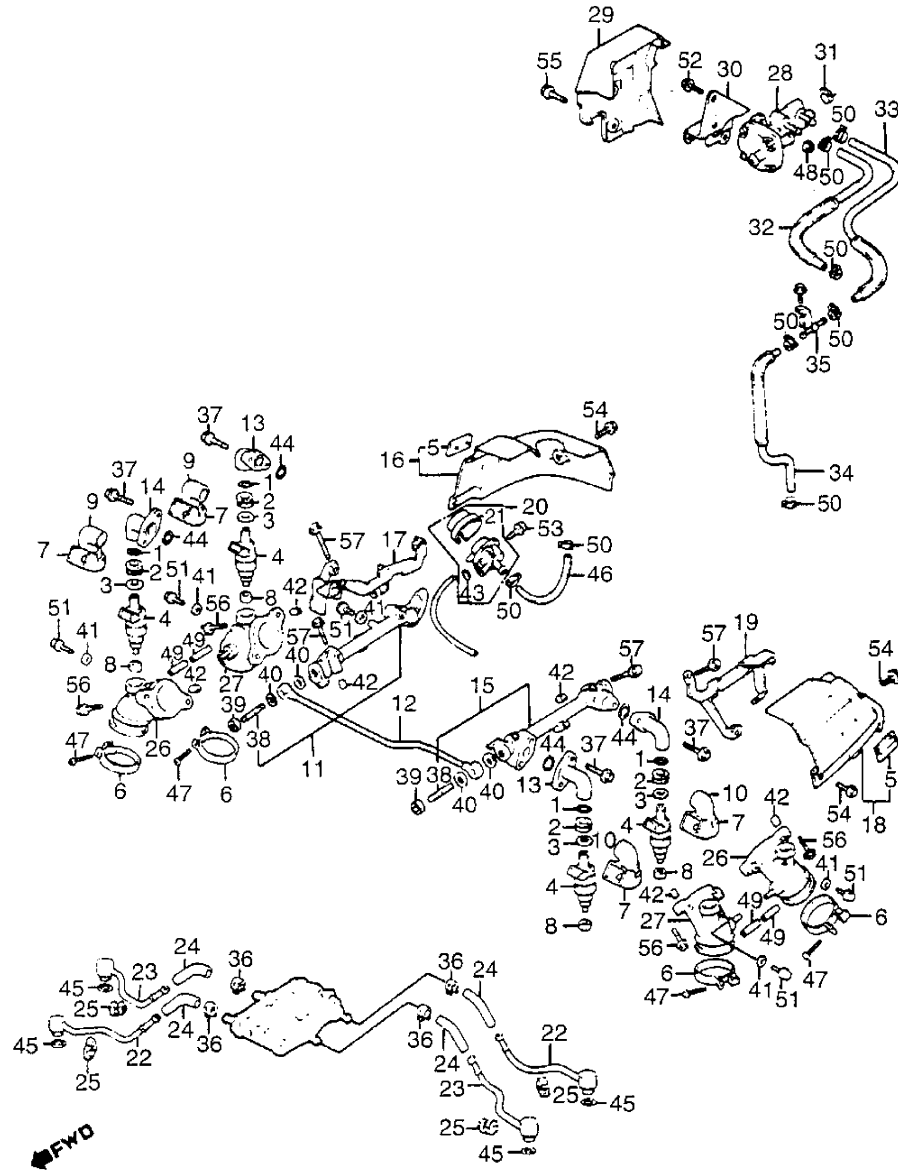


Ref. No.	Part No.	Description
1	16111-MC7-000	O-RING, INJECTOR
1	16111-MC7-004	O-RING, INJECTOR
2	16112-MG9-950	RING, CUSHION
3	16115-MG9-950	SHIM A, INJECTOR
3	16116-MG9-950	SHIM B, INJECTOR
3	16117-MG9-950	SHIM C, INJECTOR
3	16118-MG9-950	SHIM D, INJECTOR
4	16120-MG9-951	INJECTOR ASSY., FUEL
4	16130-MG9-951	INJECTOR ASSY., FUEL
5	16161-MG9-950	EMBLEM
6	16219-MB0-770	BAND, INSULATOR
6	16223-KS5-000	BAND, INSULATOR
7	16221-MG9-950	COVER, INJECTOR
8	16222-MG9-950	RING, INJECTOR SEAL
9	16223-MG9-950	CVR, R. INJECTOR CAP
10	16224-MG9-950	CVR, L. INJECTOR CAP
11	16310-MG9-950	PIPE ASSY., FUEL SET
12	16314-MG9-950	PIPE COMP., FUEL
13	16315-MG9-950	CAP A, INJECTOR
14	16316-MG9-950	CAP A/B, INJECTOR
15	16320-MG9-950	PIPE ASSY., L.
16	16340-MG9-950	COVER COMP., R.
17	16345-MG9-950	BRACKET COMP., R.
18	16350-MG9-950	COVER COMP., L.
19	16355-MG9-950	BRACKET COMP., L.

Catalog Title:
GL1200 '84 GL1200A '84,'85 GL1200I '84,'85 GL1200L '85

Block No.
E 25

Block Title:
FUEL INJECTOR / FUEL DELIVERY PIPE - GL1200L

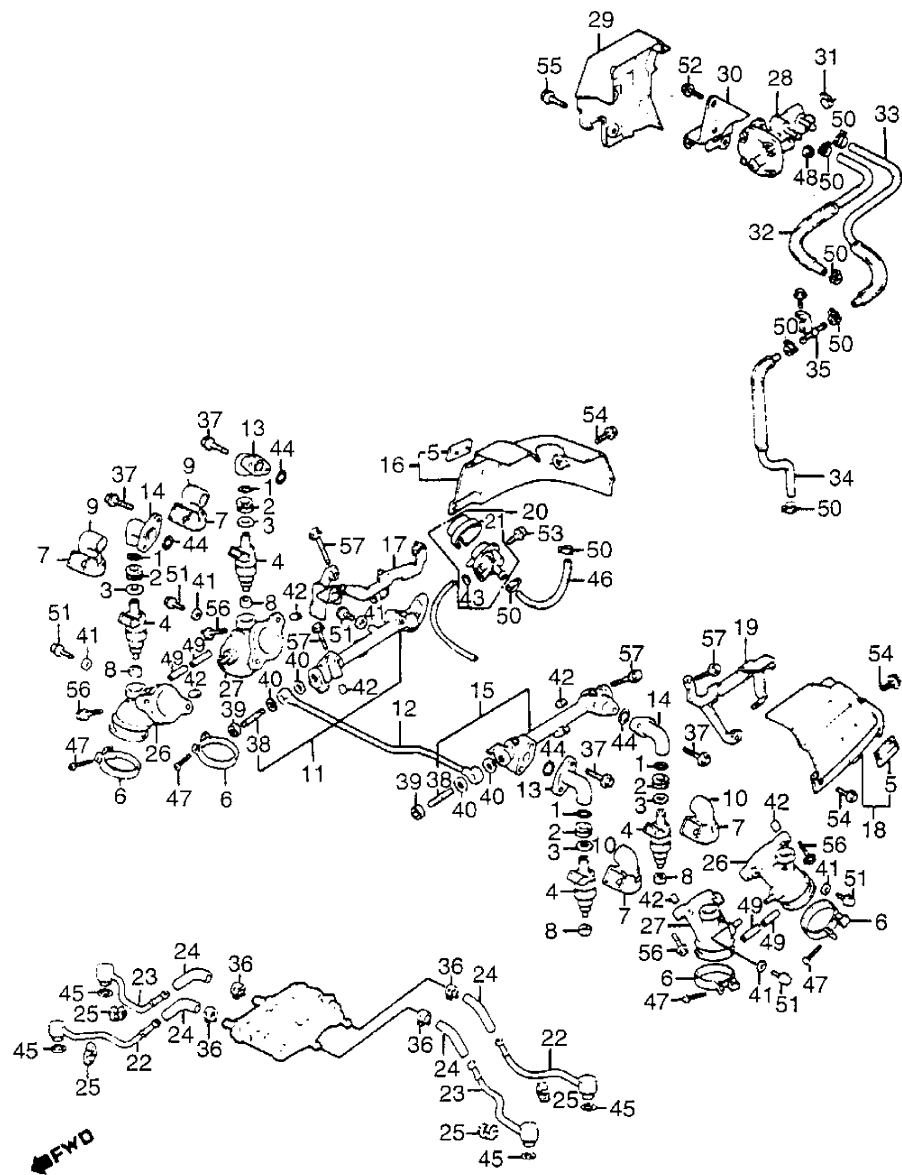


Ref. No.	Part No.	Description
20	16850-MG9-951	REGULATOR, PRESSURE
21	16852-MG9-951	CAP
22	17130-MG9-000	PIPE COMP., AIR FEED
23	17140-MG9-000	PIPE COMP., AIR FEED
24	17150-MG9-000	HOSE, AIR FEED
25	17151-MG9-000	RUBBER
26	17180-MG9-950	HOLDER A, INJECTOR
26	17180-MG9-951	HOLDER A, INJECTOR
27	17190-MG9-950	HOLDER B, INJECTOR
27	17190-MG9-951	HOLDER B, INJECTOR
28	17810-MG9-951	VALVE, TWO-WAY AIR
29	17811-MG9-950	COVER, AIR VALVE
30	17815-MG9-950	STAY, AIR VALVE
31	19509-GE2-003	CLAMP, TUBE (D19)
32	19521-MG9-950	HOSE COMP., WATER
33	19522-MG9-950	HOSE COMP., WATER
34	19523-MG9-950	HOSE COMP., WATER
35	19525-MG9-950	JOINT, WATER HOSE
36	53729-671-003	CLAMP D (15.5MM)
37	90004-MG9-950	BOLT, FLANGE (6X25)
38	90031-MG9-950	BOLT, STUD (12X34)
39	90201-PD1-000	NUT A (12MM)
40	90428-PD1-003	WASHER (12MM)
40	90428-PD6-003	WASHER (12MM)
41	90461-357-000	WASHER (6.5X12)

Catalog Title:
GL1200 '84 GL1200A '84,'85 GL1200I '84,'85 GL1200L '85

Block No.
E 25

Block Title:
FUEL INJECTOR / FUEL DELIVERY PIPE - GL1200L



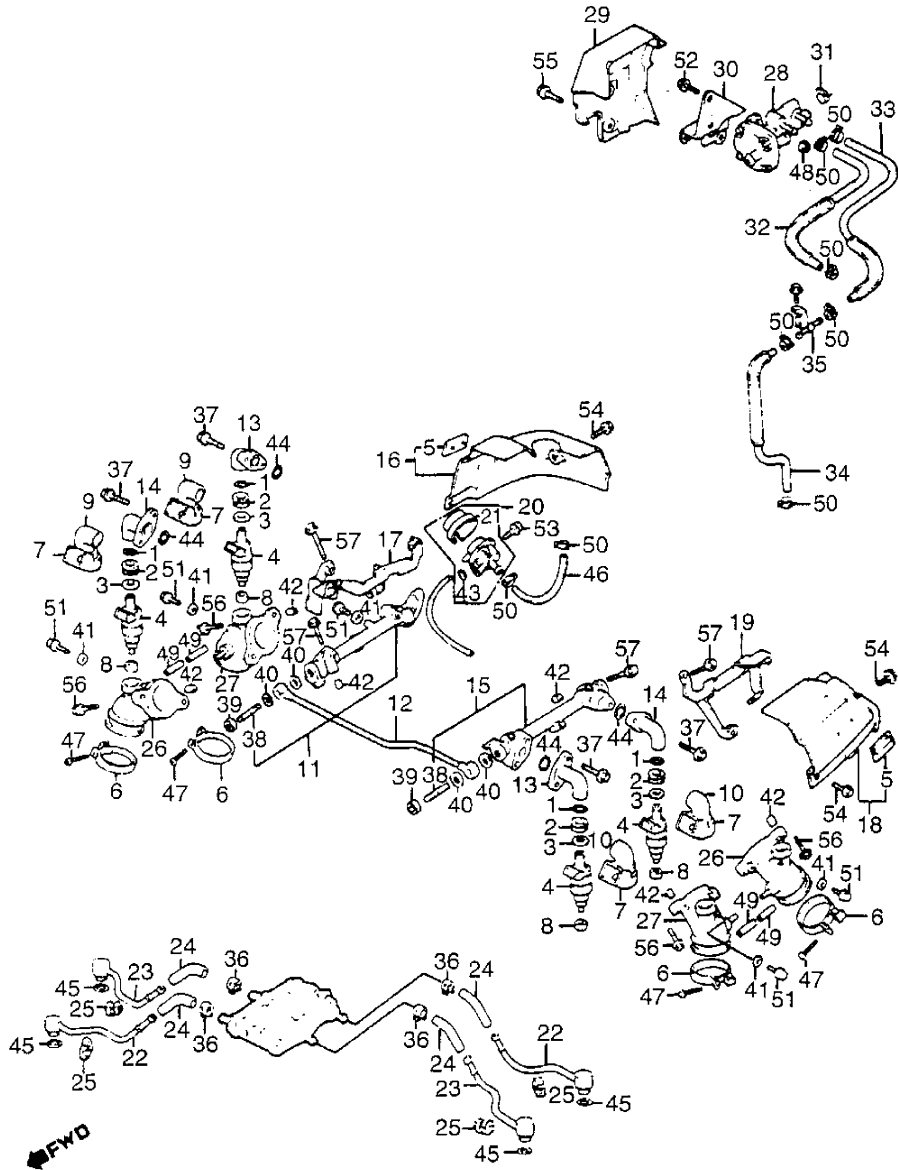
Ref. No.	Part No.	Description
42	91103-429-000	PIN, DOWEL (8X10)
43	91301-MG9-951	O-RING
44	91304-MG9-951	O-RING (13.8XX2.9)
44	91304-MG9-952	O-RING (13.8XX2.9)
45	91305-422-000	O-RING (9.8X2.4)
45	91352-425-003	O-RING (9.8X2.4)
46	91401-MG9-000	HOSE, FUEL (5.3X110)
47	93500-05020-0G	SCREW, PAN (5X20)
48	94050-06000	NUT, FLANGE (6MM)
49	95001-35003-40M	BULK HOSE (3.5X3000)
50	95002-41250-08	CLIP, TUBE (D12.5)
51	95700-06010-00	BOLT, FLANGE (6X10)
51	95701-06010-00	BOLT, FLANGE (6X10)
52	95700-06014	BOLT, FLANGE (6X14)
52	95700-06014-00	BOLT, FLANGE (6X14)
52	95701-06014-00	BOLT, FLANGE (6X14)
53	95700-06016	BOLT, FLANGE (6X16)
53	95700-06016-00	BOLT, FLANGE (6X16)
53	95701-06016-00	BOLT, FLANGE (6X16)
54	96000-06010-02	BOLT, FLANGE (6X10)
54	96001-06010-02	BOLT, FLANGE (6X10)
55	96000-06016-02	BOLT, FLANGE (6X16)
55	96001-06016-02	BOLT, FLANGE (6X16)
56	96000-06025-02	BOLT, FLANGE (6X25)
56	96001-06025-02	BOLT, FLANGE (6X25)

Catalog Title:
GL1200 '84 GL1200A '84,'85 GL1200I '84,'85 GL1200L '85

Block No.
E 25

Block Title:
FUEL INJECTOR / FUEL DELIVERY PIPE - GL1200L

Ref. No.	Part No.	Description
57	96000-06035-02	BOLT, FLANGE (6X35)
57	96001-06035-02	BOLT, FLANGE (6X35)



Block No.
EOP01

Block Title:
GASKET KIT A

Ref. No.	Part No.	Description
0	061A1-MG9-S00	GASKET KIT A
0	061A1-MG9-000	GASKET KIT A
1	12209-MB9-003	SEAL, VALVE STEM
2	12251-MG9-000	GASKET, CYL HD
2	12251-MG9-306	GASKET, CYL HD
3	12261-MG9-000	RING, OIL SEAL
4	12328-MG9-000	GASKET, HEAD COVER
5	12391-MG9-000	GASKET, SEALED COVER
5	12391-MG9-306	GASKET, SEALED COVER
6	18291-286-000	GASKET, EX. PIPE
6	18291-286-306	GASKET, EX. PIPE
7	19429-371-000	GASKET, WATER JOINT
7	19429-371-306	GASKET, WATER JOINT
8	91301-MG9-003	O-RING (35.5X2.6)
8	91301-MG9-005	O-RING (35.5X2.6)
9	91302-317-700	O-RING (54X2)
9	91307-MB0-000	O-RING (54X2)
9	91307-MB0-003	O-RING (54X2)
10	91301-MB6-003	O-RING (21.9X2.3)
10	91302-371-013	O-RING (21.9X2.3)
10	91302-371-023	O-RING (21.9X2.3)
11	91305-371-003	O-RING (6.5X1.5)
12	91307-PH7-660	O-RING (13.5X1.4)
12	91307-611-000	O-RING (13.5X1.4)
13	91308-371-003	O-RING (4.1X1.5)

Block No.
EOP01

Block Title:
GASKET KIT A

<u>Ref. No.</u>	<u>Part No.</u>	<u>Description</u>
14	91307-PH9-000	O-RING (15.5X1.4)
14	91310-611-000	O-RING (15.5X1.4)

Block No.
EOP02Block Title:
GASKET KIT B

Ref. No.	Part No.	Description
0	061B1-MG9-S00	GASKET KIT B '84 MODELS
0	061B1-MG9-000	GASKET KIT B '84 MODELS
0	061B1-MG9-S60	GASKET KIT B '85A '85I
0	061B1-MG9-680	GASKET KIT B '85A '85I
0	061B1-MG9-950	GASKET KIT B '85L
1	11372-463-003	GASKET
1	11372-463-306	GASKET
2	11391-MG9-000	GASKET, TRANS CVR
2	11391-MG9-010	GASKET, TRANS CVR
2	11391-MG9-020	GASKET, TRANS CVR
2	11391-MG9-306	GASKET, TRANS CVR
3	11393-MG9-000	GASKET, CLUTCH COVER '84 MODELS
3	11393-MG9-306	GASKET, CLUTCH COVER '84 MODELS
3	11393-MG9-307	GASKET '85 MODELS
3	11393-MG9-680	GASKET '85 MODELS
4	11394-371-000	GASKET, R '84 MODELS.
4	11394-371-306	GASKET, R. '84 MODELS
4	11394-MG9-306	GASKET, RR. CASE '85 MODELS
4	11394-MG9-680	GASKET, RR. CASE '85 MODELS
4	11394-MG9-682	GASKET, RR. CASE '85 MODELS
5	11396-371-000	GASKET, WATER PUMP
5	11396-371-306	GASKET, WATER PUMP
6	12391-MG9-000	GASKET, SEALED COVER '85L
6	12391-MG9-306	GASKET, SEALED COVER '85L
7	15128-MG9-000	GASKET, OIL PATH

Block No.
EOP02

Block Title:
GASKET KIT B

Ref. No.	Part No.	Description
8	15229-371-000	GASKET
9	30379-MG9-000	GASKET, PULSER COVER '84 MODELS
9	30379-MG9-306	GASKET, PULSER COVER '84 MODELS
10	30383-MG9-306	GASKET '85L
10	30383-MG9-950	GASKET '85L
11	91259-333-000	O-RING (9.5X1.7)
12	91302-001-020	O-RING (30.8MM)
13	91302-200-000	O-RING (33.5X3)
13	91302-943-003	O-RING (33.5X3)
13	91304-HB3-003	O-RING (33.5X3.0)
14	91302-377-000	O-RING (15X2.5)
15	91303-283-000	O-RING
15	91305-KT7-003	O-RING
16	91305-216-000	O-RING (46X2)
16	91305-426-003	O-RING (46X2)
17	91307-703-000	O-RING (26MM)
18	91309-MA6-000	O-RING
19	91312-371-003	O-RING (23X2.1)
19	91312-371-013	O-RING (23X2.1)
20	91316-300-005	O-RING (89X4.5)
20	91316-425-003	O-RING (89X4.5)
21	91318-500-000	O-RING (27X2.7)
22	91319-300-000	O-RING (13X2.5)
23	91333-KE5-003	O-RING (17.0X2.5)
23	91333-567-010	O-RING (17.0X2.5)

Block No.
EOP02

Block Title:
GASKET KIT B

<u>Ref. No.</u>	<u>Part No.</u>	<u>Description</u>
24	91345-580-000	O-RING (29X2.2)
25	91305-422-000	O-RING (9.8X2.4) '84 MODELS
25	91352-425-003	O-RING (9.8X2.4)'84 MODELS
26	91354-371-000	O-RING (23MM)
27	91356-706-000	O-RING (56X2.4)
28	94608-10000	O-RING (8.4X2.4)

Catalog Title:

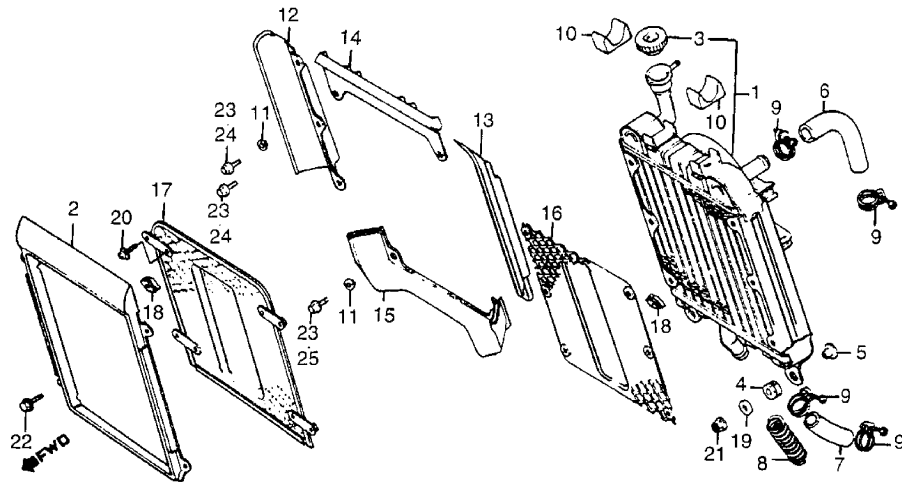
GL1200 '84 GL1200A '84,'85 GL1200I '84,'85 GL1200L '85

Block No.

F 01

Block Title:

RADIATOR



Ref. No.	Part No.	Description
1	19010-MG9-013	RADIATOR COMP.
2	19032-MG9-950	COVER, RADIATOR '85L
3	19045-MB0-013	CAP COMP., RADIATOR
4	19051-KA4-000	RUBBER
5	19052-MB0-000	COLLAR
6	19501-431-000	HOSE, WATER (UPPER)
7	19502-MG9-000	HOSE, WATER (LOWER)
8	19512-MG9-000	GUARD B, WIRE '84 MODELS '85A, '85I
8	19512-MG9-010	GUARD B, WIRE
9	19515-431-003	BAND A, HOSE
10	19518-MG9-000	RUBBER, RADIATOR
11	53211-MC7-000	COLLAR '84
12	85100-MG9-000	COVER, R. RADIATOR '84
13	85120-MG9-000	COVER, L. RADIATOR '84
14	85200-MG9-000	COVER, RADIATOR '84
15	85300-MG9-000	COVER, RADIATOR '84
16	85400-MG9-000	GRILLE, RADIATOR '84
16	85400-MG9-770	GRILLE, RADIATOR '84A,'84I,'85A, '85I
17	85400-MG9-950	GRILLE, RADIATOR '85L
18	85401-371-000	GROMMET
19	90501-MA6-000	WASHER (6MM)
20	93891-06010-07	SCREW-WASHER (6X10) '85L
20	93891-06010-17	SCREW-WASHER (6X10) '85L
21	94050-06080	NUT, FLANGE (6MM)
22	95700-06010-08	BOLT, FLANGE (6X10) '85L

Catalog Title:

GL1200 '84 GL1200A '84,'85 GL1200I '84,'85 GL1200L '85

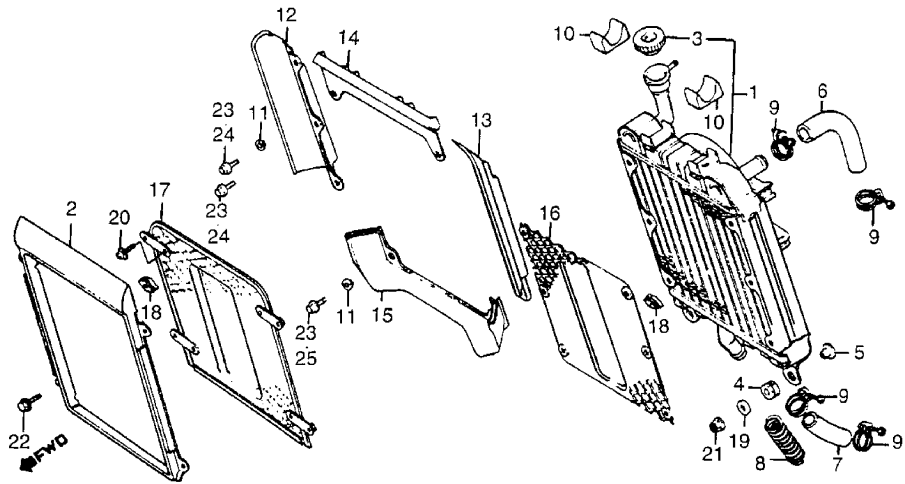
Block No.

F 01

Block Title:

RADIATOR

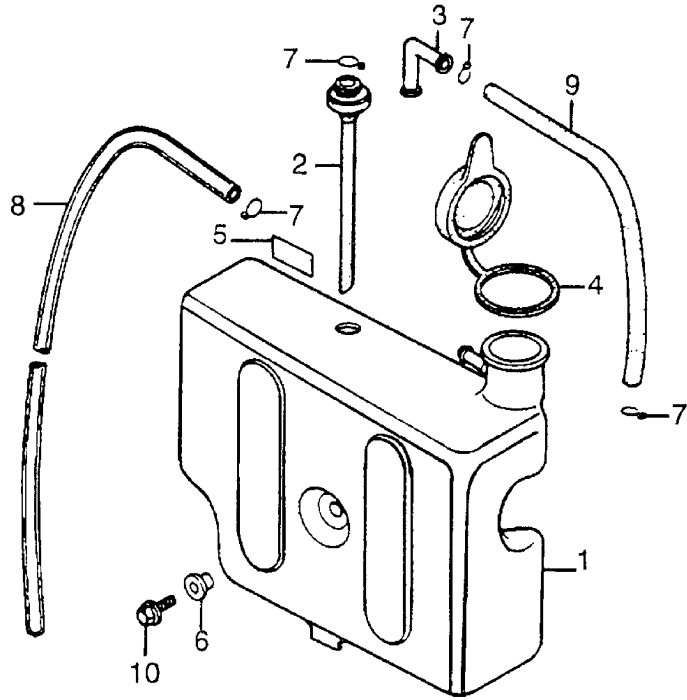
Ref. No.	Part No.	Description
22	95701-06010-08	BOLT, FLANGE (6X10) '85L
23	96000-06010-07	BOLT, FLANGE (6X10) '84A,'84I,'85A, '85I
23	96001-06010-07	BOLT, FLANGE (6X10) '84A,'84I,'85A, '85I
24	96000-06012-02	BOLT, FLANGE (6X12) '84
24	96001-06012-02	BOLT, FLANGE (6X12) '84
25	96000-06016-07	BOLT, FLANGE (6X16) '84
25	96001-06016-07	BOLT, FLANGE (6X16) '84



Catalog Title:
GL1200 '84 GL1200A '84,'85 GL1200I '84,'85 GL1200L '85

Block No.
F 02

Block Title:
RESERVE TANK



FWD →

Ref. No.	Part No.	Description
1	19101-MG9-000	TANK, RESERVE '84 MODELS
1	19101-MG9-950	TANK, RESERVE
2	19102-MG9-000	TUBE, LEVEL
3	19103-MB9-000	JOINT, TUBE
4	19104-MB0-700	CAP, RESERVE TANK
5	87507-MB4-670	LABEL, RESERVE TANK '85 '
6	90129-463-770	COLLAR
7	95002-02120	CLIP, TUBE (B12)
8	95003-19093-10	TUBE (7X11X930) '84 MODELS
8	95003-19100-10	TUBE (7X11X1000) '85 MODELS
9	95005-80290-30	TUBE (8X290) '85A '85I
9	95005-80250-30	TUBE (8X250)'85L
10	95700-06012-08	BOLT, FLANGE (6X12)
10	95701-06012-08	BOLT, FLANGE (6X12)

Catalog Title:

GL1200 '84 GL1200A '84,'85 GL1200I '84,'85 GL1200L '85

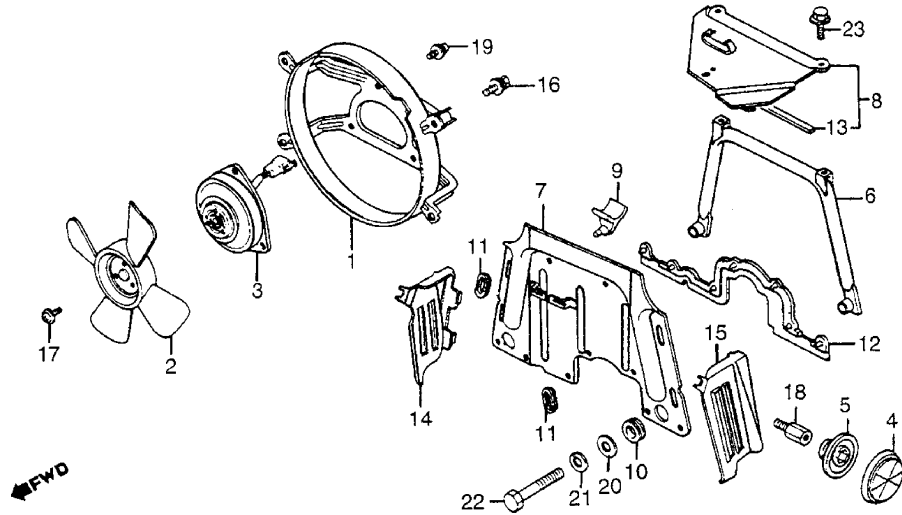
Block No.

F 03

Block Title:

COOLING FAN / SHROUD

Ref. No.	Part No.	Description
18	90111-MG9-670	BOLT, FR. '84
19	93893-05010-08	SCREW-WASHER (5X10)
20	94101-10000	WASHER, PLAIN (10MM)
21	94111-10000	WASHER (10MM)
22	95325-10050	BOLT, HEX. (10X50)
22	95325-10050-00	BOLT, HEX. (10X50)
23	95700-08020-00	BOLT, FLANGE (8X20)
23	95701-08020-00	BOLT, FLANGE (8X20)



Catalog Title:

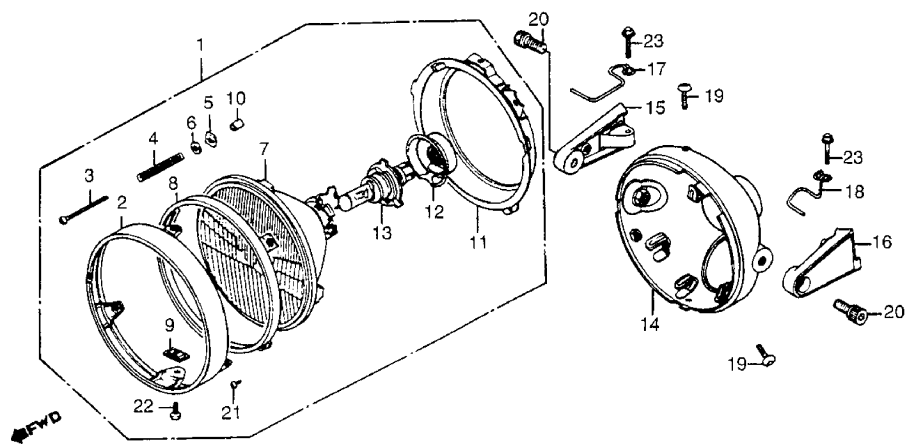
GL1200 '84 GL1200A '84,'85 GL1200I '84,'85 GL1200L '85

Block No.

F 04

Block Title:

HEADLIGHT - '84



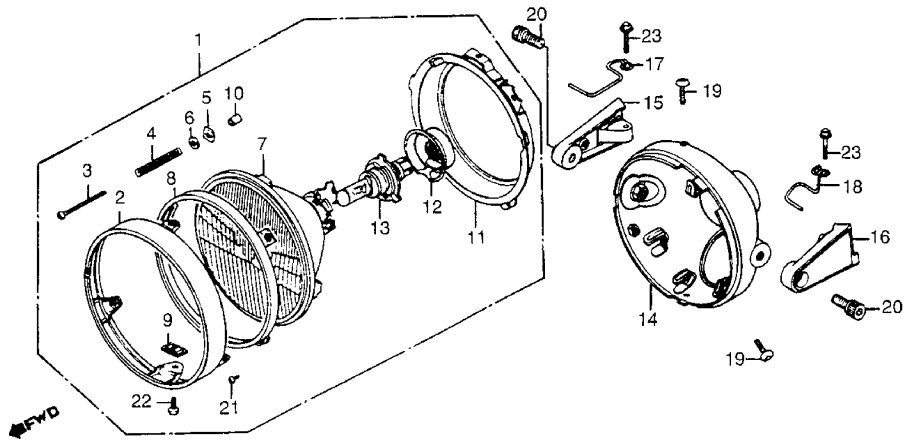
Ref. No.	Part No.	Description
1	33100-MG9-671	HEADLIGHT ASSY.
2	33101-405-671	RIM, HEADLIGHT
3	33103-346-670	SCREW
4	33107-300-003	SPRING
5	33117-001-023	NUT
6	33119-371-003	WASHER
7	33120-MG9-671	HEADLIGHT UNIT
8	33121-405-671	RING, RETAINING
9	33128-292-670	NUT, UNIT HOLDER
10	33136-426-830	COVER, SCREW
11	33153-375-671	RING, SETTING
12	33112-MM9-013	COVER, RUBBER
12	33180-MC5-003	COVER, RUBBER
13	34901-MC7-601	BULB (12V60/55W)
13	34901-MC7-601AH	BULB (12V60/55W)
14	61301-MG9-670	CASE, HEADLIGHT
15	61312-MG9-000	STAY, R. HEADLIGHT
16	61313-MG9-000	STAY, L. HEADLIGHT
17	61314-MG9-000	GUIDE, R. HOSE
18	61315-MG9-000	GUIDE, L. HOSE
19	90001-MG9-670	SCREW (5X12)
20	90106-MG1-000	BOLT, SOCKET (10X20)
21	93500-03008-0A	SCREW, PAN (3X8)
21	93500-03008-1A	SCREW, PAN (3X8)
22	93500-05008-0H	SCREW, PAN (5X8)

Catalog Title:
GL1200 '84 GL1200A '84,'85 GL1200I '84,'85 GL1200L '85

Block No.
F 04

Block Title:
HEADLIGHT - '84

Ref. No.	Part No.	Description
23	95700-06028-07	BOLT, FLANGE (6X28)
23	95701-06028-07	BOLT, FLANGE (6X28)



Catalog Title:

GL1200 '84 GL1200A '84,'85 GL1200I '84,'85 GL1200L '85

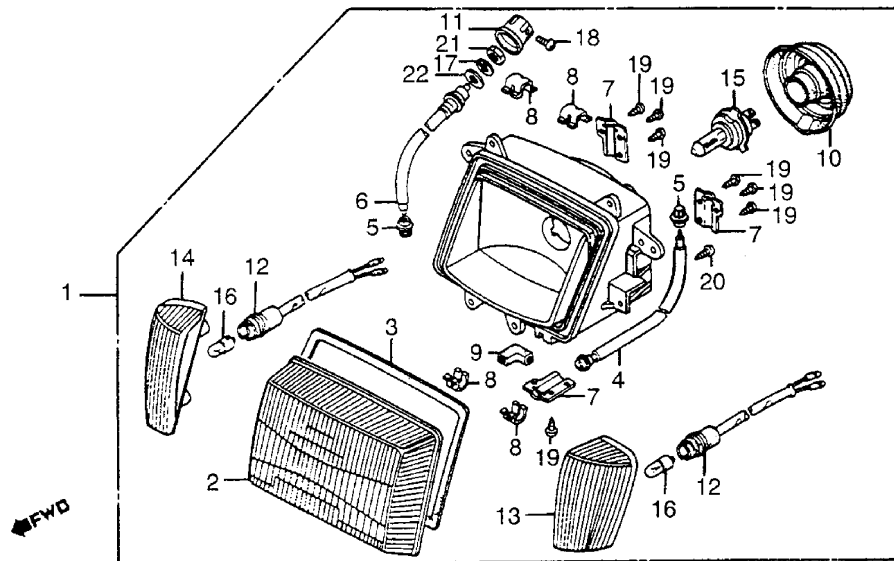
Block No.

F 0401

Block Title:

HEADLIGHT - 1200I/L '84-'85

Ref. No.	Part No.	Description
1	33100-MG9-771	HEADLIGHT ASSY.
2	33102-MG9-771	LENS, HEADLIGHT
3	33103-MG9-771	GASKET, SEAL
4	33108-MG9-771	CABLE A COMP.
5	33109-MG9-771	GEAR, BEAM ADJUSTING
6	33111-MG9-771	CABLE COMP. B
7	33112-MG9-771	HOLDER, BEAM ADJUST
8	33113-MC7-611	CLIP, LENS HOLDER
9	33115-MG9-771	COVER
10	33126-SA5-951	COVER
11	33156-MG9-771	KNOB, BEAM ADJUSTING
12	33164-MG9-771	WIRE, POSITION LIGHT
13	33170-MG9-771	LENS, L.
14	33171-MG9-771	LENS, R.
15	34901-MC7-601	BULB (12V60/55W)
15	34901-MC7-601AH	BULB (12V60/55W)
16	34903-388-611	BULB (12V 4W)
17	90150-MG9-771	WASHER, SPECIAL
18	93500-03010-0G	SCREW, PAN (3X10)
19	93901-34220	SCREW, TAP (4X10)
20	93901-34420	SCREW, TAP (4X16)
21	94002-12080-0S	NUT, HEX. (12MM)
22	94101-12700	WASHER, PLAIN (12MM)



Catalog Title:

GL1200 '84 GL1200A '84,'85 GL1200I '84,'85 GL1200L '85

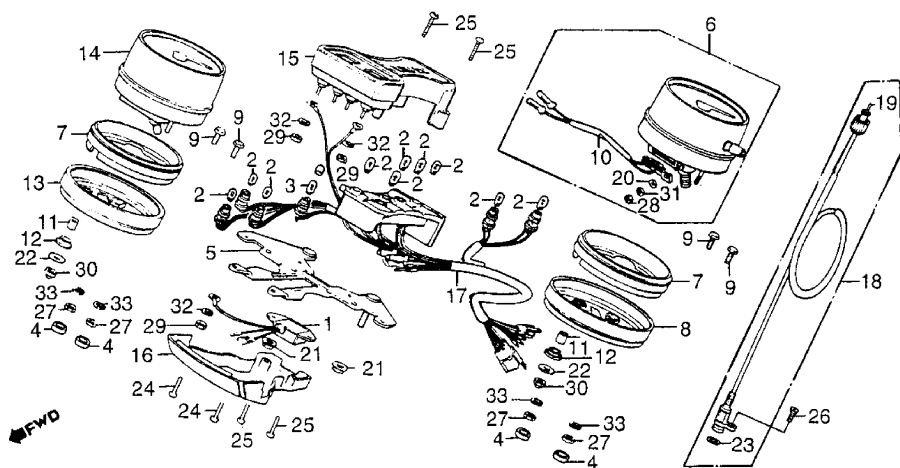
Block No.

F 05

Block Title:

INSTRUMENTS - '84

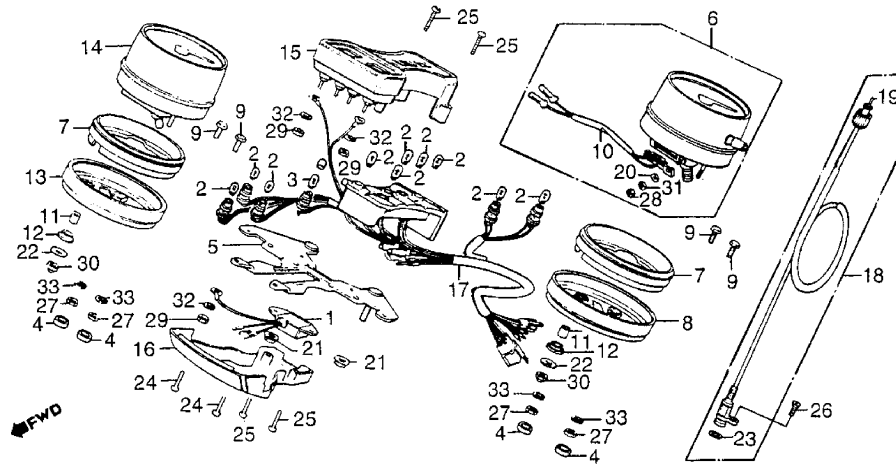
Ref. No.	Part No.	Description
1	31410-463-008	REGULATOR COMP. (7V)
2	34908-GA7-701	BULB (14V3.4W)
2	37102-567-009	BULB (14V3.4W)
2	37237-SA5-003	BULB (14V3.4W)
2	37237-SA5-004	BULB (14V3.4W)
3	34908-MB9-871	BULB (12V 1.7W)
4	37101-MG9-671	CAP, BOLT
5	37120-MG9-671	STAY
6	37200-MG9-671	SPEEDOMETER ASSY.
7	37235-323-700	RUBBER, SPEEDOMETER
8	37236-MG9-671	PLATE, SPEEDOMETER
9	37238-323-700	BOLT (6MM)
10	37240-MB9-000	SWITCH COMP., LEAD
11	37243-323-700	COLLAR
12	37244-307-670	RUBBER
13	37246-MG9-671	PLATE, TACHOMETER
14	37250-MG9-641	TACHOMETER ASSY.
14	37250-MG9-671	TACHOMETER ASSY.
15	37610-MG9-671	COVER, PILOT (UPPER)
16	37617-463-008	COVER, PILOT (LOWER)
17	37619-MG9-641	WIRE COMP., PILOT
17	37619-MG9-671	WIRE COMP., PILOT
18	44830-MG9-000	CABLE, SPEEDOMETER
18	44830-MJ1-000	CABLE, SPEEDOMETER



Catalog Title:
GL1200 '84 GL1200A '84,'85 GL1200I '84,'85 GL1200L '85

Block No.
F 05

Block Title:
INSTRUMENTS - '84



Ref. No.	Part No.	Description
19	44831-MG9-300	CABLE (INNER)
19	44831-MJ1-300	CABLE (INNER)
20	90115-MG9-671	WASHER
21	90309-357-000	NUT, HEX. (8MM)
22	90545-323-700	WASHER (6.5X18)
23	91301-027-000	O-RING (6.8X1.9)
23	91306-PJ4-000	O-RING (6.8X1.9)
23	91310-MC7-003	O-RING (6.8X1.9)
24	93500-04020-0G	SCREW, PAN (4X20)
25	93500-04025-0G	SCREW, PAN (4X25)
26	93700-05020-0A	SCREW, OVAL (5X20)
27	94001-06000-0S	NUT, HEX. (6MM)
27	94001-06200-0S	NUT, HEX. (6MM)
28	94002-03000-0S	NUT, HEX. (3MM)
29	94002-04000-0S	NUT, HEX. (4MM)
30	94021-06000-0S	NUT, CAP (6MM)
30	94021-06020	NUT, CAP (6MM)
30	94021-06020-0S	NUT, CAP (6MM)
30	94022-06020	NUT, CAP (6MM)
31	94111-03800	WASHER, SPRING (3MM)
32	94111-04000	WASHER, SPRING (4MM)
33	94111-06000	WASHER, SPRING (6MM)

Catalog Title:

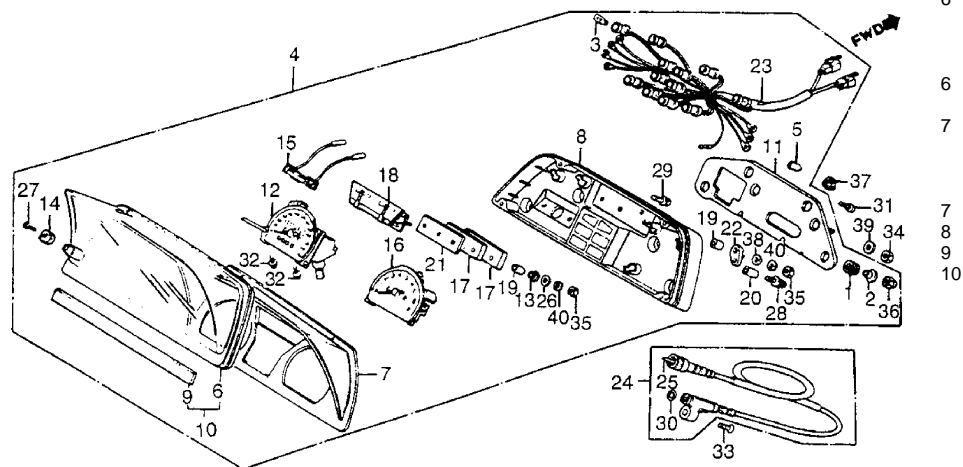
GL1200 '84 GL1200A '84,'85 GL1200I '84,'85 GL1200L '85

Block No.

F 0501

Block Title:

INSTRUMENTS - GL1200I '84-'85



Ref. No.	Part No.	Description
1	19051-KA4-000	RUBBER
2	19052-MB0-000	COLLAR
3	34908-MB0-003	BULB (12V/3W)
4	37100-MG9-770	INSTRUMENT ASSY. '84I
4	37100-MG9-771	INSTRUMENT ASSY. '84I
4	37100-MG9-772	INSTRUMENT ASSY. '84I
4	37100-MG9-741	METER, COMBINATION '85I
4	37100-ML8-740	METER, COMBINATION '85I
4	37100-ML8-741	METER, COMBINATION '85I
5	37101-MG9-671	CAP, BOLT '85I
6	37102-MG9-771	GLASS, INSTRUMENT '84 I
6	37102-MG9-772	GLASS COMP., METER '84I
7	37103-MG9-771	PLATE, REFLECTING '84I
7	37103-MG9-772	PLATE, REFLECTING
8	37104-MG9-771	CASE COMP., METER
9	37105-MG9-741	GASKET, METER PANEL '85I
10	37106-MG9-740	GLASS ASSY., METER '85I

Catalog Title:

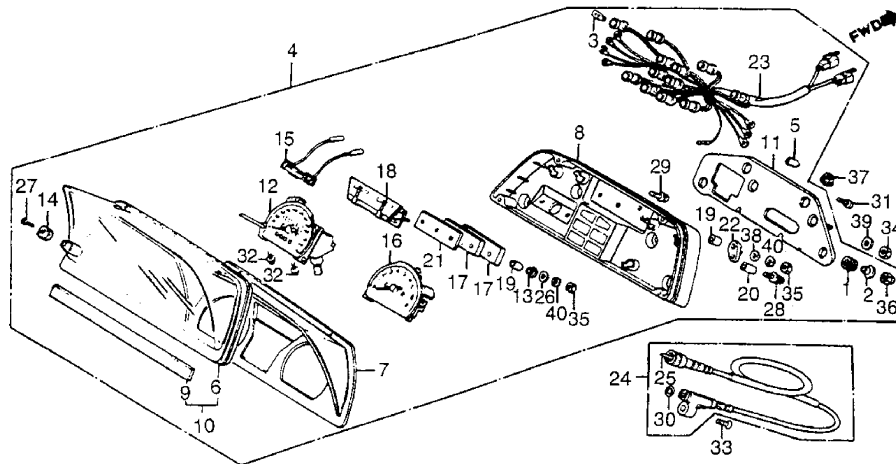
GL1200 '84 GL1200A '84,'85 GL1200I '84,'85 GL1200L '85

Block No.

F 0501

Block Title:

INSTRUMENTS - GL1200I '84-'85



Ref. No.	Part No.	Description
11	37120-MG9-771	STAY, METER SETTING
12	37200-MG9-771	SPEEDOMETER ASSY. '84I
12	37200-MG9-741	SPEEDOMETER ASSY.
13	37203-MC7-611	RUBBER
14	37204-MC7-612	KNOB, TRIP METER
15	37240-MG9-771	SWITCH COMP., LEAD
16	37250-MG9-771	TACHOMETER ASSY. '84I
16	37250-MG9-761	TACHOMETER ASSY.
16	37250-MG9-741	TACHOMETER ASSY. '85I
17	37253-MC7-611	RUBBER, TACHOMETER
18	37300-MG9-771	INSTRUMENT ASSY.
18	37300-ML8-671	METER, TEMP & FUEL
19	37303-MC7-611	COLLAR
20	37303-MG9-771	COLLAR, METER
21	37304-MG9-771	STAY
22	37404-KG4-008	RUBBER, CUSHION
23	37619-MG9-771	WIRE COMP., PILOT
24	44830-ME5-000	CABLE, SPEEDOMETER
25	44831-ME5-300	CABLE (INNER)
26	90101-MC7-611	WASHER (4.3X12.5) '84I
26	90101-MG9-741	WASHER '85I
27	90600-MC7-611	SCREW, FLAT (2.3X8)
27	90600-MC7-612	SCREW, FLAT (2.3X8)
27	90600-MB2-008	SCREW, FLAT (2.3X6)
28	90890-MG9-771	SCREW-WASHER (3X24)

Catalog Title:

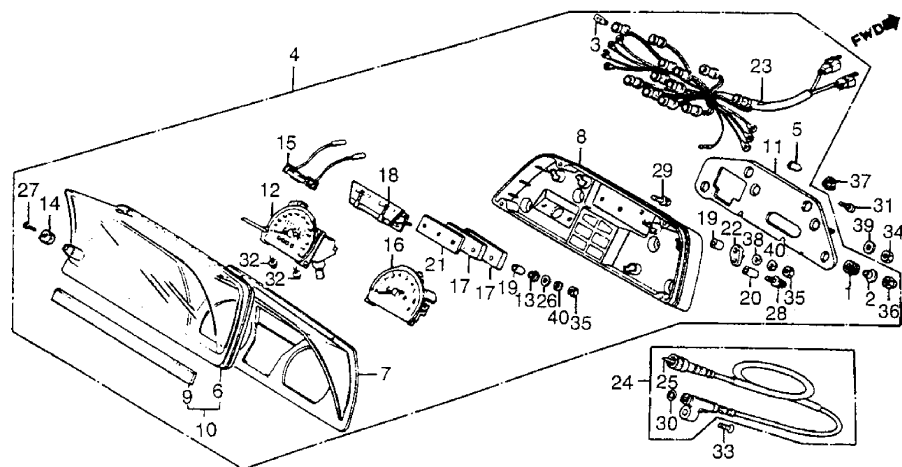
GL1200 '84 GL1200A '84,'85 GL1200I '84,'85 GL1200L '85

Block No.

F 0501

Block Title:

INSTRUMENTS - GL1200I '84-'85



Ref. No.	Part No.	Description
29	90891-MG9-771	SCREW-WASHER (3X12)
30	91301-027-000	O-RING (6.8X1.9)
30	91306-PJ4-000	O-RING (6.8X1.9)
30	91310-MC7-003	O-RING (6.8X1.9)
31	93500-04006-0A	SCREW, PAN (4X6)
32	93500-04010-0H	SCREW, PAN (4X10)
32	90101-GG2-008	SCREW, FLANGE (4X10)
33	93700-05020-0A	SCREW, OVAL (5X20)
34	94001-06000-0S	NUT, HEX. (6MM)
34	94001-06200-0S	NUT, HEX. (6MM)
35	94002-04000-0S	NUT, HEX. (4MM)
36	94021-06000-0S	NUT, CAP (6MM)
36	94021-06020	NUT, CAP (6MM)
36	94021-06020-0S	NUT, CAP (6MM)
36	94022-06020	NUT, CAP (6MM)
37	94050-06080	NUT, FLANGE (6MM)
38	94101-04000	WASHER, PLAIN (4MM)
38	90101-MG9-741	WASHER
39	94103-06000	WASHER, PLAIN (6MM)
40	94111-04800	WASHER, SPRING (4MM)

Catalog Title:

GL1200 '84 GL1200A '84,'85 GL1200I '84,'85 GL1200L '85

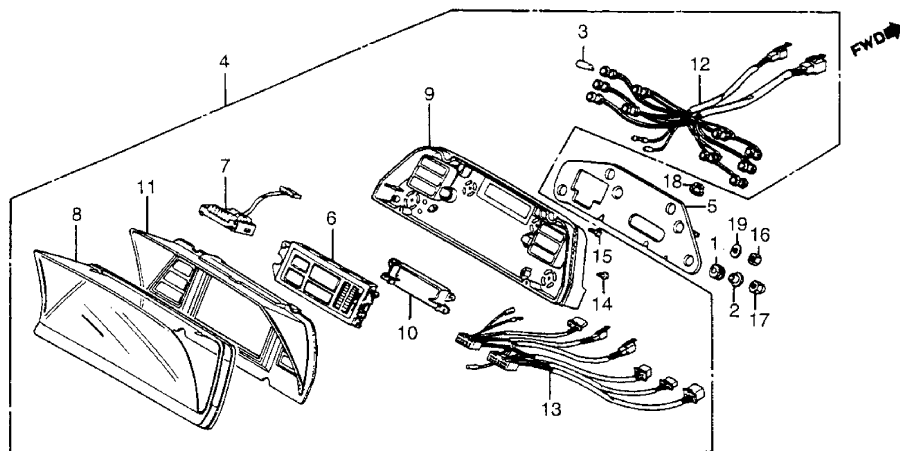
Block No.

F 0502

Block Title:

INSTRUMENTS - GL1200A '84

Ref. No.	Part No.	Description
1	19051-KA4-000	RUBBER
2	19052-MB0-000	COLLAR
3	34908-MB0-003	BULB (12V/3W)
4	37110-MG9-871	INSTRUMENT
5	37120-MG9-771	STAY, METER SETTING
6	37130-MG9-871	L.C.D. UNIT
7	37210-MG9-871	ODOMETER, TOTAL
8	37614-MG9-961	GLASS ASSY., METER
8	37615-MG9-871	GLASS COMP., METER
8	37615-MG9-872	GLASS ASSY., METER
9	37616-MG9-871	CASE, INSTRUMENT
10	37617-MG9-871	COVER, RR.
11	37618-MG9-871	PLATE, REFLECTING
11	37618-MG9-872	PLATE, REFLECTING
11	37618-MG9-872	PLATE, REFLECTING
12	37619-MG9-871	SOCKET COMP.
13	37620-MG9-871	WIRE ASSY.
14	90121-MG9-871	SCREW, TAPPING (3X8)
15	90122-MG9-871	SCREW-WASHER (3X12)
16	94001-06080-0S	NUT, HEX. (6MM)
17	94021-06000	NUT, CAP (6MM)
17	94021-06000-0S	NUT, CAP (6MM)
17	94021-06020	NUT, CAP (6MM)
17	94021-06020-0S	NUT, CAP (6MM)



Catalog Title:

GL1200 '84 GL1200A '84,'85 GL1200I '84,'85 GL1200L '85

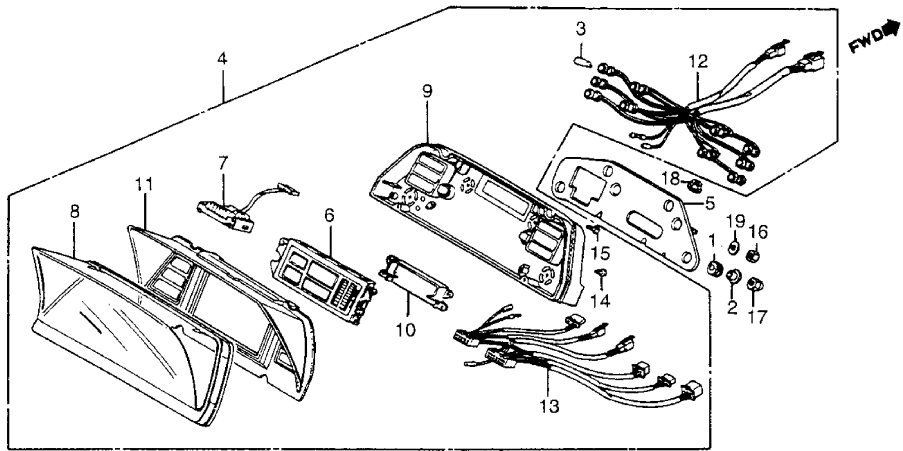
Block No.

F 0502

Block Title:

INSTRUMENTS - GL1200A '84

Ref. No.	Part No.	Description
17	94022-06020	NUT, CAP (6MM)
18	94050-06080	NUT, FLANGE (6MM)
19	94103-06000	WASHER, PLAIN (6MM)



Catalog Title:

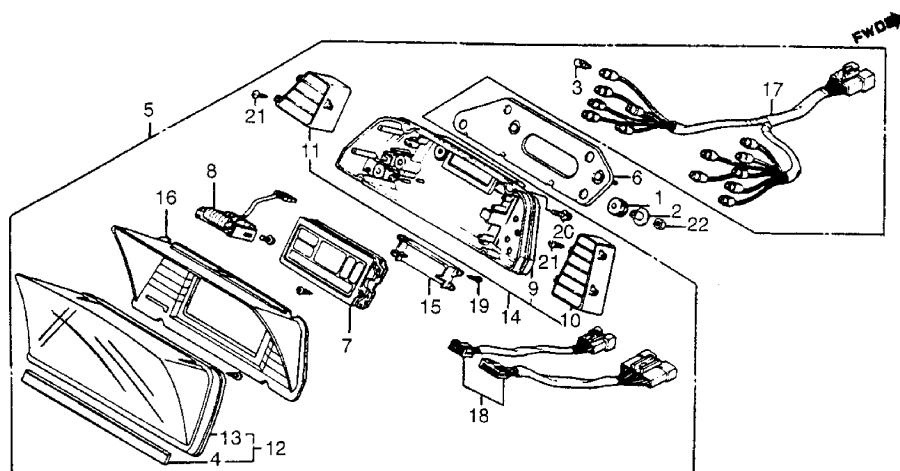
GL1200 '84 GL1200A '84,'85 GL1200I '84,'85 GL1200L '85

Block No.

F 0503

Block Title:

INSTRUMENTS - GL1200A/L '85



Ref. No.	Part No.	Description
1	19051-KA4-000	RUBBER
2	19052-MB0-000	COLLAR
3	34908-MB0-003	BULB (12V/3W)
4	37105-MG9-741	GASKET, METER PANEL '85L
5	37110-MG9-961	INSTRUMENT '85A
5	37110-ML8-690	METER, SUB COMBINA '85A
5	37110-MG9-951	METER '85L
5	37110-ML8-750	METER '85L
5	37110-ML8-751	METER '85L
6	37120-MG9-961	STAY, METER SETTING
7	37130-MG9-961	L.C.D. UNIT '85A
7	37130-MG9-951	L.C.D. UNIT '85L
7	37130-ML8-750	L.C.D. UNIT '85L
7	37130-ML8-751	L.C.D. UNIT '85L
8	37210-MG9-871	ODOMETER, TOTAL
9	37611-MG9-961	CASE, METER '85L
10	37612-MG9-961	BOX, R. PILOT '85A
10	37612-MG9-951	BOX, R. PILOT '85L
11	37613-MG9-961	BOX, L. PILOT
12	37614-MG9-961	GLASS ASSY METER '85L
13	37614-MG9-961	GLASS ASSY., METER
13	37615-MG9-872	GLASS ASSY., METER
14	37616-MG9-961	CASE COMP., METER '85A
14	37616-MG9-951	CASE COMP., METER '85L
15	37617-MG9-871	COVER, RR.

Catalog Title:

GL1200 '84 GL1200A '84,'85 GL1200I '84,'85 GL1200L '85

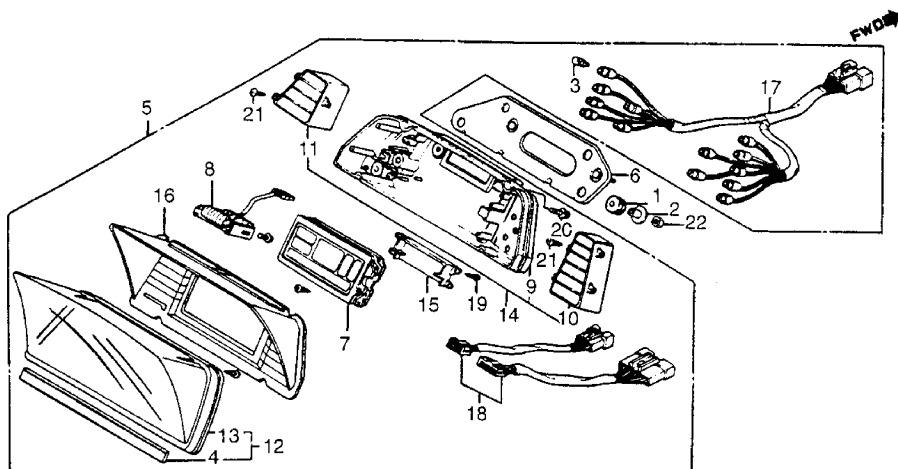
Block No.

F 0503

Block Title:

INSTRUMENTS - GL1200A/L '85

Ref. No.	Part No.	Description
16	37618-MG9-961	PLATE, REFLECTING '85A
16	37618-MG9-951	PLATE, REFLECTING '85A
17	37619-MG9-961	SOCKET COMP. '85A
17	37619-MG9-951	SOCKET COMP. '85L
18	37620-MG9-961	WIRE ASSY. '85A
18	37620-MG9-951	WIRE ASSY. '85L
19	90121-MG9-871	SCREW, TAPPING (3X8)
20	90122-MG9-871	SCREW-WASHER (3X12)
21	90121-MG9-871	SCREW, TAPPING (3X8) '85A
21	93901-22220	SCREW, TAP (3X10) '85L
22	94001-06080-0S	NUT, HEX. (6MM)



Catalog Title:

GL1200 '84 GL1200A '84,'85 GL1200I '84,'85 GL1200L '85

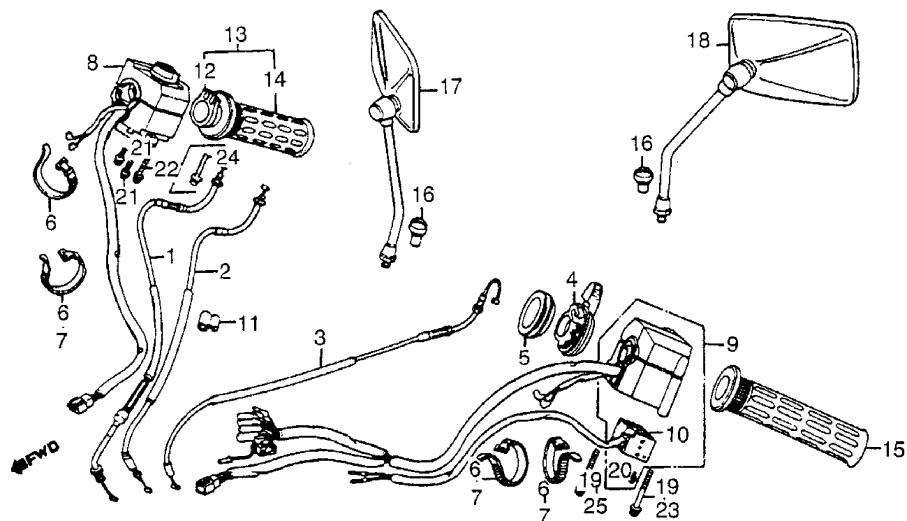
Block No.

F 06

Block Title:

SWITCHES / CABLES / MIRRORS

Ref. No.	Part No.	Description
1	17910-MG9-000	CABLE A, THROTTLE '84
1	17910-MG9-770	CABLE A, THROTTLE '84A '85A, '84I, '85I
1	17910-MG9-950	CABLE COMP. '85L
2	17920-MG9-000	CABLE B, THROTTLE '84
2	17920-MG9-770	CABLE B, THROTTLE '84A '85A, '84I, '85I
2	17920-MG9-950	CABLE B, THROTTLE '85'
3	17950-MG9-000	CABLE COMP., CHOKE '84 MODELS, '85A,'85I
4	17962-MG9-000	LEVER, CHOKE '84 MODELS
4	17962-MG9-680	LEVER, CHOKE '85A,'85I
5	17962-MG9-950	BLIND '85L
6	32161-404-000	BAND B1, CABLE '84 MODELS
6	32161-404-610	BAND B1, CABLE '85I
7	32161-438-000	BAND, CABLE '85 ALL MODELS
8	35130-MG9-670	SWITCH ASSY. '84
8	35130-MG9-306	SWITCH ASSY. '84 MODELS
8	35130-MG9-770	SWITCH ASSY. '84 MODELS
8	35130-MG9-681	SWITCH, STARTER KILL '85A, '85I
8	35130-MG9-951	SWITCH ASSY. '85L
9	35200-MG9-671	SWITCH, TURN SIGNAL '84
9	35200-MG9-771	SWITCH, TURN SIGNAL '84A '84I
9	35200-MG9-682	SWITCH, TURN SIGNAL '85A, '85I
9	35200-MG9-952	SWITCH, TURN SIGNAL '85L
10	35210-MG9-671	SOLENOID COMP. '84
10	35210-MG9-771	SOLENOID COMP. '84A, '84I
11	45465-341-700	CLIP, FR.



Catalog Title:

GL1200 '84 GL1200A '84,'85 GL1200I '84,'85 GL1200L '85

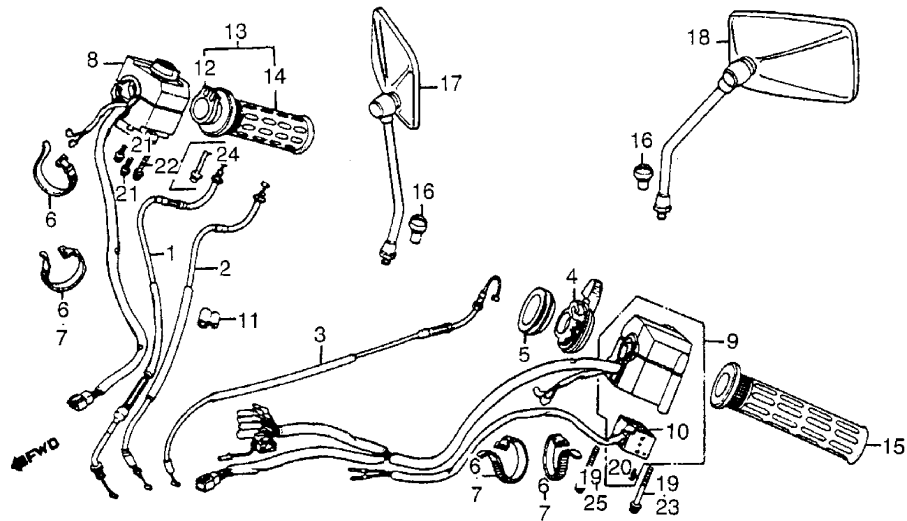
Block No.

F 06

Block Title:

SWITCHES / CABLES / MIRRORS

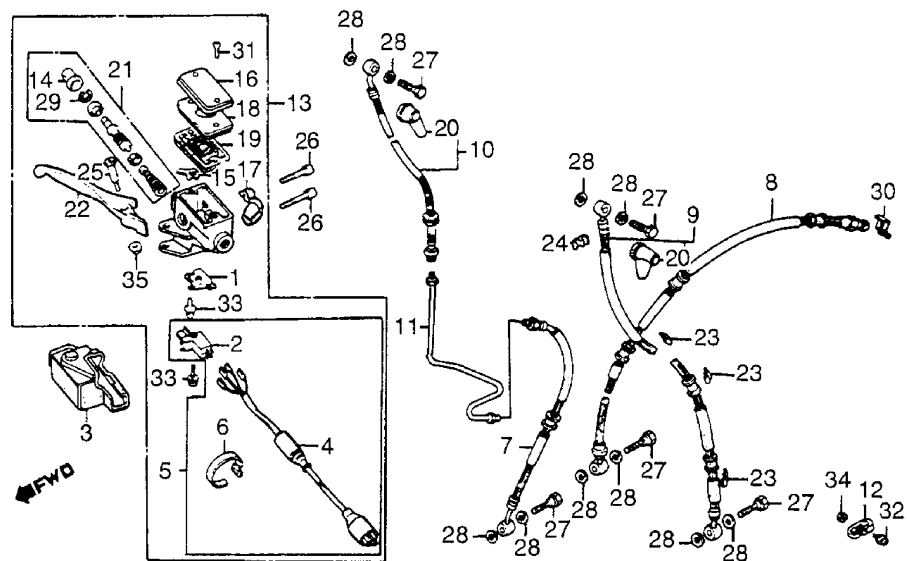
Ref. No.	Part No.	Description
12	53141-MB9-000	PIPE, GRIP '84 MODELS
12	53141-MG9-680	PIPE, GRIP
13	53145-MG9-680	GRIP COMP., R. '85MODELS
14	53165-MB9-000	GRIP, R. HANDLE '84 MODELS
14	53168-MG9-315	GRIP, R. HANDLEBAR
14	53168-MG9-305	GRIP, R. HANDLEBAR '85 MODELS
15	53166-MB9-000	GRIP, L. HANDLEBAR '84 MODELS
15	53167-MG9-315	GRIP, L. HANDLEBAR
15	53167-MG9-305	GRIP, L. HANDLEBAR '85 MODELS
16	53174-116-670	PLUG '85 MODELS '84A, '84I
16	53174-463-770	PLUG '85 MODELS '84A, '84I
17	88110-MB1-701	MIRROR, R. '84
17	88110-MB1-702	MIRROR, R. '84
18	88120-MB1-701	MIRROR, L. '84
18	88120-MB1-702	MIRROR, L. '84
19	90892-MB0-000	SCREW-WASHER (4X50) '84 MODELS
20	93892-03012-17	SCREW-WASHER (3X12) '84 MODELS
21	93892-05016-07	SCREW-WASHER (5X16) '84 MODELS
21	93892-05020-07	SCREW-WASHER (5X20) '85 MODELS
22	93892-05025-07	SCREW-WASHER (5X25) '85 MODELS
23	93892-05032-07	SCREW-WASHER (5X32) '85 MODELS
24	93892-05040-07	SCREW-WASHER (5X40) '84 MODELS
25	93892-05045-07	SCREW-WASHER (5X45) '85 MODELS



Catalog Title:
GL1200 '84 GL1200A '84,'85 GL1200I '84,'85 GL1200L '85

Block No.
F 07

Block Title:
FR. BRAKE MASTER CYL.



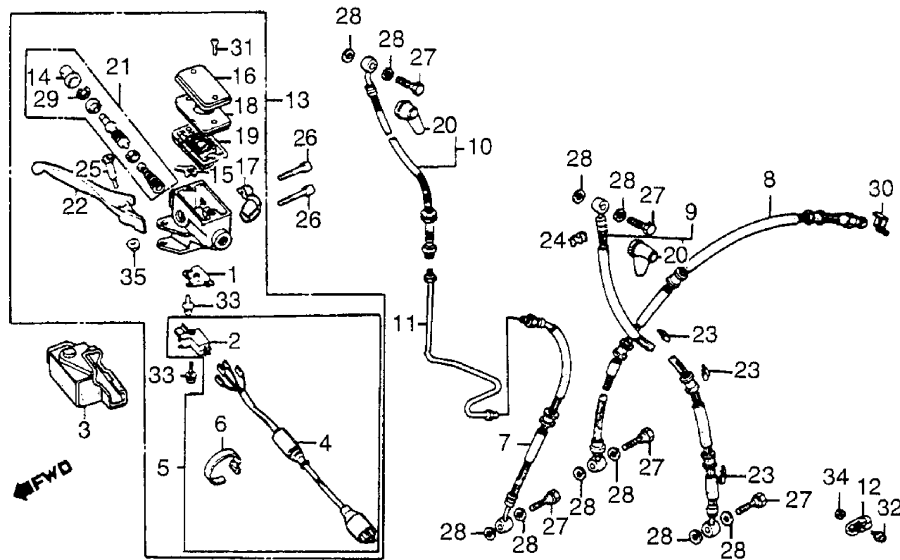
Ref. No.	Part No.	Description
1	35340-MA5-671	SWITCH, FR. STOP '84 MODELS '85A '85I
2	35340-MG9-305	SWITCH, FR. STOP '85L
3	35342-MG9-950	COVER, FR. '85L
4	35344-MG9-950	SUB-WIRE, FR. '85L
5	35345-MG9-950	WIRE COMP., FR. '85L
6	35701-MG9-950	BAND '85L
7	45124-MG9-771	HOSE A, FR. BRAKE '84A '84I
7	45124-MG9-772	HOSE A, FR. BRAKE '85 MODELS '84A, '84I
8	45125-MG9-003	HOSE A, FR. BRAKE '84 MODELS
8	45125-MG9-013	HOSE A, FR. BRAKE '85 MODELS
9	45126-MG9-003	HOSE B, FR. BRAKE '84
9	45126-MG9-013	HOSE B, FR. BRAKE '84
10	45126-MG9-771	HOSE B, FR. BRAKE '84A, '84I
10	45126-MG9-772	HOSE B, FR. BRAKE '85 MODELS '84A, '84I
11	45127-MG9-770	PIPE, FR. BRAKE '85 MODELS '84A, '84I
12	45128-463-000	CLAMP, BRAKE HOSE '84 '84I
13	45500-MG9-006	M/CYL ASSY., FR. '84
13	45500-MG9-016	M/CYL ASSY., FR. '84
13	45500-MG9-771	M/CYL ASSY., FR. '84A, '84I, '85A, '85I
13	45500-MG9-951	MASTER CYLINDER, FR. '85L
14	45504-410-003	BOOT COMP.
15	45512-MA6-006	PROTECTOR
16	45540-MB4-671	CAP, MASTER CYLINDER
17	45517-MB0-006	HOLDER
18	45518-MB4-671	PLATE, DIAPHRAGM

Catalog Title:
GL1200 '84 GL1200A '84,'85 GL1200I '84,'85 GL1200L '85

Block No.
F 07

Block Title:
FR. BRAKE MASTER CYL.

Ref. No.	Part No.	Description
19	45520-MA5-672	DIAPHRAGM
20	45522-422-000	BOOT
21	45530-MA4-671	MASTER CYLINDER SET '84
21	45530-471-831	MASTER CYLINDER SET '84A, '84I, '85A, '85I
21	45530-MG9-950	MASTER CYLINDER SET '85L
21	45530-MG9-951	MASTER CYLINDER SET '85L
22	53175-MA6-006	LEVER, R. HANDLEBAR '84 MODELS
22	53175-MA6-016	LEVER, R. HANDLEBAR
23	61108-MB0-000	CLAMP '85 MODELS
24	61109-MG9-870	CLAMP '85 MODELS
25	90114-MA5-671	BOLT, R. '84 MODELS '85A,I
25	90114-MG9-951	BOLT, HANDLEBAR '85L
26	90117-MB0-000	BOLT, SOCKET (6X23)
27	90145-300-000	BOLT, OIL '84 MODELS
27	90145-300-010	BOLT, OIL '84 MODELS
27	90145-961-000	BOLT, OIL '84 MODELS
27	90145-KM3-750	BOLT, OIL (10X22) '85 MODELS
27	90145-961-010	BOLT, OIL (10X22) '85 MODELS
28	90545-300-000	WASHER, OIL BOLT
29	90651-MA5-671	CIRCLIP
30	90651-538-000	CLIP, BRAKE HOSE
31	93600-04012-0G	SCREW, FLAT (4X12)
31	93600-04012-1G	SCREW, FLAT (4X12)
32	93891-04016-00	SCREW-WASHER (4X16) '84 '84I
33	93893-04012-08	SCREW-WASHER (4X12)

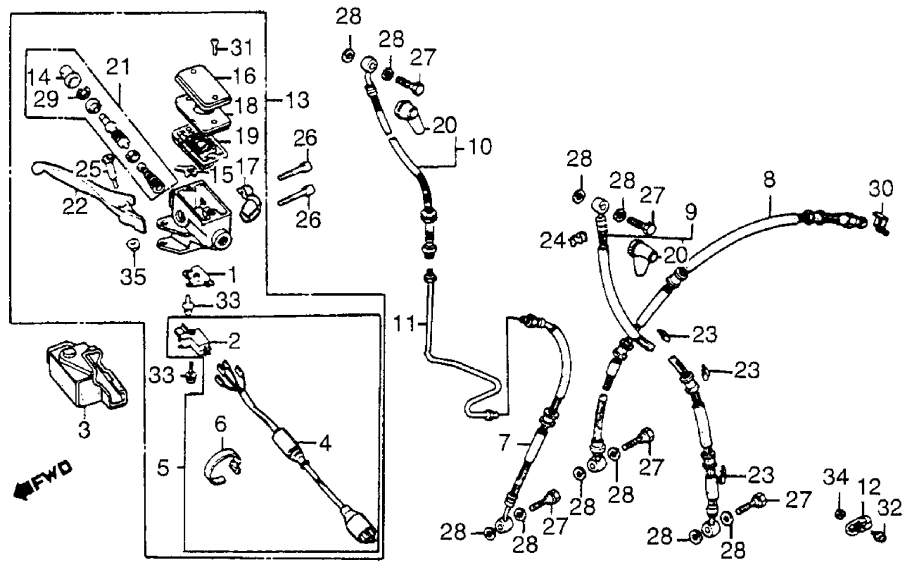


Catalog Title:
GL1200 '84 GL1200A '84,'85 GL1200I '84,'85 GL1200L '85

Block No.
F 07

Block Title:
FR. BRAKE MASTER CYL.

Ref. No.	Part No.	Description
33	93893-04012-18	SCREW-WASHER (4X12)
34	94002-04000-0S	NUT, HEX. (4MM) '84 '84I
35	94050-06000	NUT, FLANGE (6MM)
35	90201-415-000	NUT, CAP (6MM) '85 MODELS



Catalog Title:

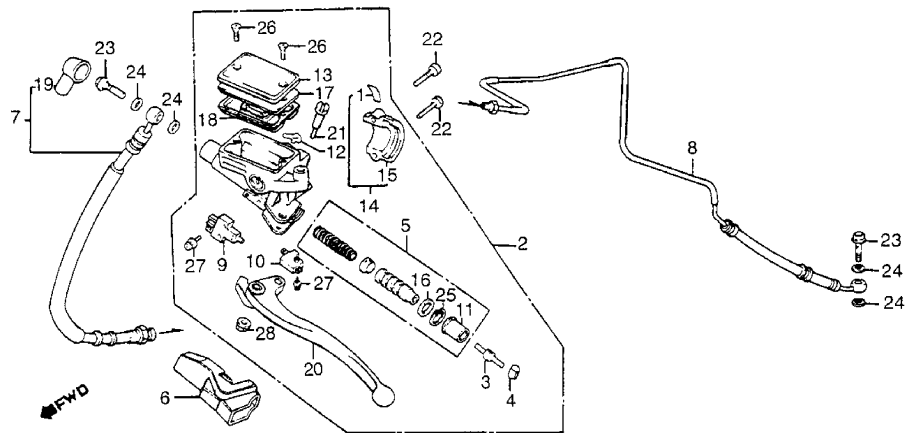
GL1200 '84 GL1200A '84,'85 GL1200I '84,'85 GL1200L '85

Block No.

F 08

Block Title:

CLUTCH MASTER CYLINDER



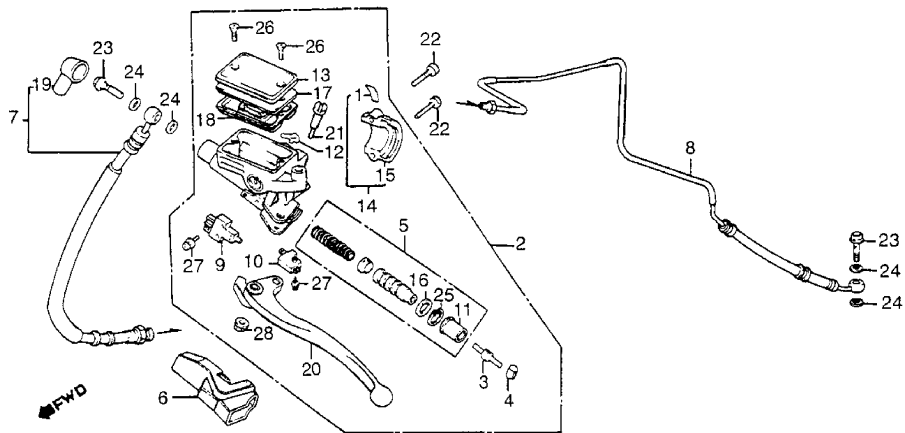
Ref. No.	Part No.	Description
1	17965-MB0-300	MARK, CHOKE '84 MODELS '85A, I
2	22880-MG9-016	M/CYL ASSY., CLUTCH '84 MODELS '85A,i
2	22880-MG9-951	M/CYL ASSY., CLUTCH '85L
3	22884-MB0-006	ROD, PUSH
4	22885-MB0-006	BUSH
5	22886-MB4-305	PISTON SET
6	22887-MG9-950	COVER ASSY. '85L
7	22891-MG9-003	HOSE A, CLUTCH '84 MODELS
7	22891-MG9-013	HOSE A, CLUTCH '85 MODELS
8	22895-MG9-003	PIPE, CLUTCH '84 MODELS
8	22895-MG9-013	PIPE, CLUTCH
9	35330-MB0-003	SWITCH ASSY., CLUTCH '84 MODELS '85A/I
10	35335-MG9-951	SWITCH ASSY. '85L
11	45504-410-003	BOOT COMP.
12	45512-MA6-006	PROTECTOR
13	45540-MB4-671	CAP, MASTER CYLINDER
14	45517-MG9-006	HOLDER, CHOKE LEVER
15	45517-MG9-951	HOLDER, CHOKE LEVER '85L
16	45518-MB0-006	PLATE, STOPPER
17	45518-MB4-671	PLATE, DIAPHRAGM '85 MODELS
18	45520-MA5-672	DIAPHRAGM
19	45522-422-000	BOOT
20	53178-MG9-006	LEVER, L. HANDLE '84 MODELS
20	53178-MG9-016	LEVER, L. HANDLE '85 MODELS
20	53178-MN5-006	LEVER, L. HANDLE

Catalog Title:
GL1200 '84 GL1200A '84,'85 GL1200I '84,'85 GL1200L '85

Block No.
F 08

Block Title:
CLUTCH MASTER CYLINDER

Ref. No.	Part No.	Description
21	90114-MA5-671	BOLT, R. '84 MODELS '85A/I
21	90114-MG9-951	BOLT, HANDLEBAR '85L
22	90117-MB0-000	BOLT, SOCKET (6X23)
23	90145-300-000	BOLT, OIL '84 MODELS
23	90145-300-010	BOLT, OIL '84 MODELS
23	90145-961-000	BOLT, OIL '84 MODELS
23	90145-KM3-750	BOLT, OIL (10X22) '85 MODELS
23	90145-961-010	BOLT, OIL (10X22) '85 MODELS
24	90545-300-000	WASHER, OIL BOLT
25	90651-377-003	CIRCLIP (18MM)
26	93600-04012-0G	SCREW, FLAT (4X12)
26	93600-04012-1G	SCREW, FLAT (4X12)
27	93893-04012-17	SCREW-WASHER (4X12)
28	94050-06000	NUT, FLANGE (6MM)
28	90201-415-000	NUT, CAP (6MM) '85L



Catalog Title:

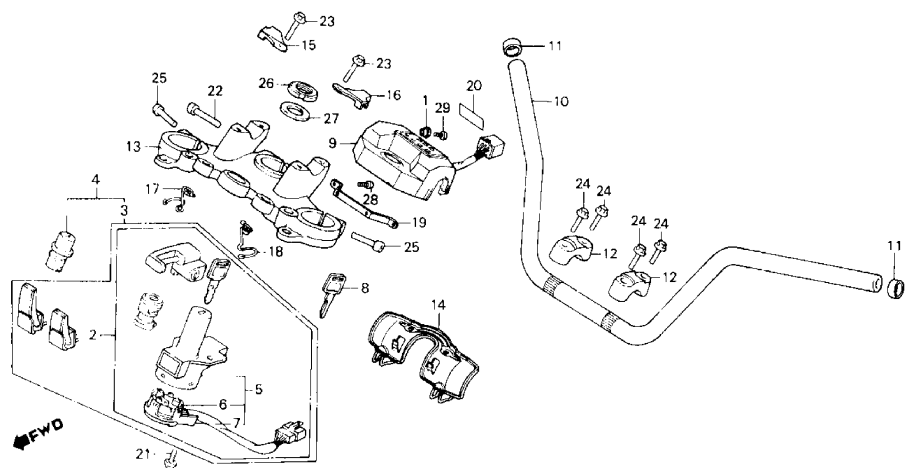
GL1200 '84 GL1200A '84,'85 GL1200I '84,'85 GL1200L '85

Block No.

F 09

Block Title:

HANDLEBAR / KEY SET - 1200/A/I '84-'85



Ref. No.	Part No.	Description
1	19121-KE7-000	COLR, RADIATOR COVER '84 MODELS '85A/I
2	35010-MG9-670	LOCK SET '84
2	35010-MG9-671	LOCK SET '84
2	35010-MG9-672	LOCK SET '84
3	35010-MG9-680	LOCK SET '84I
3	35010-MG9-770	LOCK SET '84I
3	35010-MG9-771	LOCK SET '84I
3	35010-MG9-772	LOCK SET '84I
3	35010-MG9-681	LOCK SET '85I
4	35010-MG9-870	LOCK SET '84A
4	35010-MG9-871	LOCK SET '84A
4	35010-MG9-930	LOCK SET '84A
4	35010-MG9-931	LOCK SET '84A'85A
5	35100-MG9-671	SWITCH ASSY. '84
5	35100-MG9-672	SWITCH ASSY. '84
5	35100-MG9-673	SWITCH ASSY. '84
5	35100-MG9-674	SWITCH ASSY. '84
5	35100-MG9-681	SWITCH ASSY. '84A/I
5	35100-MG9-771	SWITCH ASSY. '84A/I
5	35100-MG9-772	SWITCH ASSY. '84A/I
5	35100-MG9-682	SWITCH ASSY. '84A/I, '85A/I
6	35101-MG9-671	UNAVAILABLE '84
6	35101-MG9-672	BASE COMP., CON '84TACT
6	35104-MG9-305	BASE COMP., CONTACT '84
6	35101-MG9-771	BASE COMP., CONTACT '84A/I

Catalog Title:

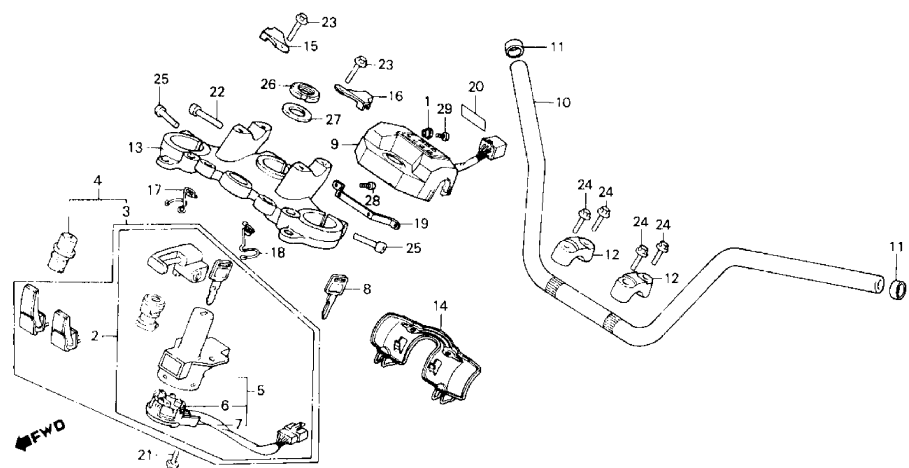
GL1200 '84 GL1200A '84,'85 GL1200I '84,'85 GL1200L '85

Block No.

F 09

Block Title:

HANDLEBAR / KEY SET - 1200/A/I '84-'85



Ref. No.	Part No.	Description
6	35101-MG9-772	BASE COMP., CONTACT '84A/I
6	35104-MG9-405	BASE COMP., CONTACT '84A/I
6	35101-MG9-681	BASE COMP., CONTACT '85A/I
7	35105-MG9-680	COVER, SWITCH '85A/I
7	35105-MG9-681	COVER, SWITCH '85A/I
8	35121-MA6-811	KEY, BLANK (TYPE1) '84 MODELS
8	35122-MA6-811	KEY, BLANK (TYPE2) '84 MODELS
8	35121-KW3-771	KEY, BLANK (TYPE1)
8	35122-KW3-771	KEY, BLANK (TYPE2)
8	35121-MG9-810	KEY, BLANK (TYPE1) '84A '85A
8	35122-MG9-810	KEY, BLANK (TYPE2) '84A '85A
9	37600-MG9-000	COVER, HANDLE '84/I
9	37600-MG9-871	BOARD, KEY '84A
9	37600-MG9-931	BOARD, KEY *NH1Z* '85A
9	37600-MG9-931ZC	BOARD, KEY *NH1Z* '85A
9	37600-MG9-680	COVER *NH136MU* '85I
9	37600-MG9-680ZB	COVER *NH136MU* '85I
10	53100-MG9-000	HANDLEBAR '84
10	53100-MG9-770	HANDLEBAR '84 MODELS
10	53100-MG9-680	HANDLEBAR '85A/I
11	53105-MG9-680	RING, HANDLEBAR '85A/I
12	53131-371-000	HOLDER, HANDLEBAR '84
12	53131-MG9-771	HOLDER, HANDLEBAR '84A/I
12	53131-MG9-680	HOLDER (UPPER) '85A/I
13	53230-MG9-000	BRIDGE, FORK TOP '84 MODELS

Catalog Title:

GL1200 '84 GL1200A '84,'85 GL1200I '84,'85 GL1200L '85

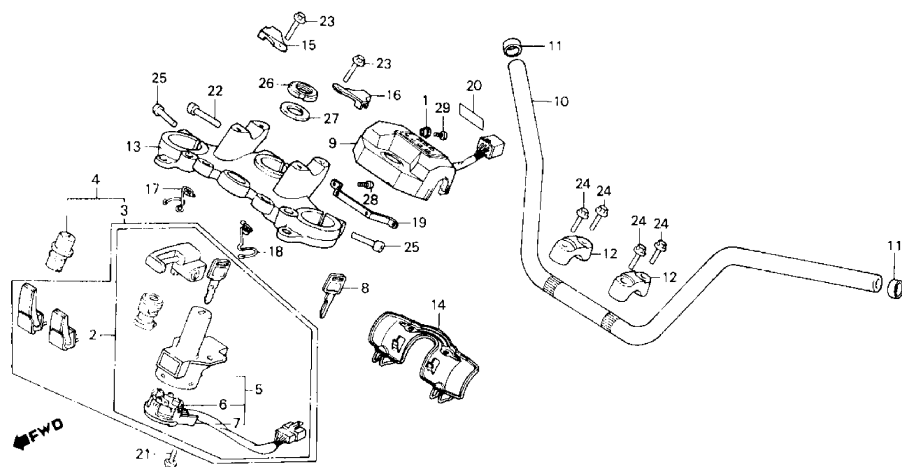
Block No.

F 09

Block Title:

HANDLEBAR / KEY SET - 1200/A/I '84-'85

Ref. No.	Part No.	Description
13	53230-MG9-680	BRIDGE, FORK TOP '85A/I
14	61406-MG9-680	COVER, HARNESS '85A/I
15	61406-MG9-770	CLAMP, R. '84A/I
16	61407-MG9-770	CLAMP, L. '84A/I
17	61408-MG9-770	CLIP, R. HOSE '84A/I
18	61409-MG9-770	CLIP, L. HOSE '84A/I
19	61411-MG9-680	STAY, HANDLE COVER '85A/I
20	87517-MB1-770	LABEL, FR. '84 MODELS, '85A/I
21	90104-MJ1-000	BOLT, FLANGE (8X19) '84 MODELS, '85A/I
22	90106-422-000	BOLT, SPECIAL SOCKET '84 MODELS, '85A/I
23	90107-MG9-770	BOLT, SPECIAL '84A/I
23	95701-06010-08	BOLT, FLANGE (6X10) '85A/I
23	95900-06010-08	BOLT, FLANGE (6X10) '85A/I
24	90111-362-000	BOLT, FLANGE (8X36)
25	90151-MB0-000	BOLT, SOCKET (7X38)
26	90304-371-000	NUT, STEERING STEM
27	90503-283-000	WASHER
28	93500-04008-0G	SCREW, PAN (4X8)
29	93500-04010-0G	SCREW, PAN (4X10)



Catalog Title:

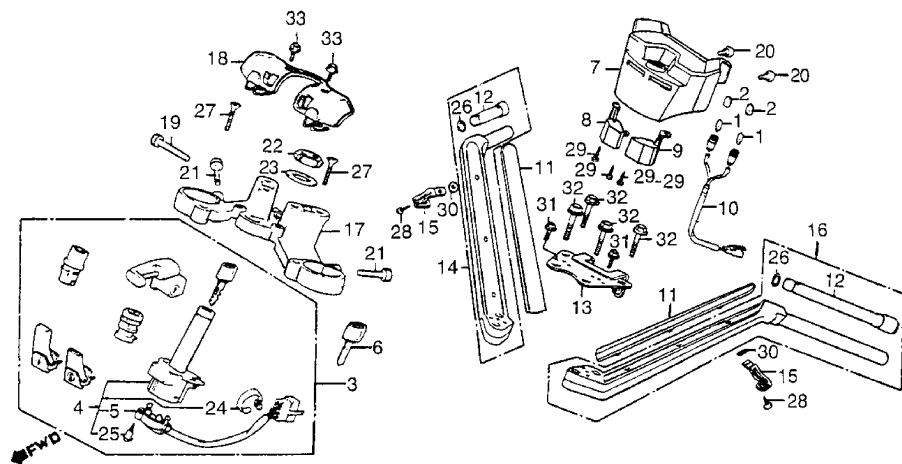
GL1200 '84 GL1200A '84,'85 GL1200I '84,'85 GL1200L '85

Block No.

F 0901

Block Title:

HANDLEBAR / KEY SET - GL1200L '85



Ref. No.	Part No.	Description
1	34908-MG9-951	BULB (12V 1.7W)
2	34909-MB0-008	CAP, BULB
3	35010-MG9-951	LOCK SET
4	35100-MG9-952	SWITCH ASSY.
5	35101-MG9-951	BASE COMP., CONTACT
6	35121-KW3-771	KEY, BLANK (TYPE1)
6	35121-MG9-810	KEY, BLANK (TYPE1)
6	35121-MG9-820	KEY, BLANK (TYPE1)
6	35122-KW3-771	KEY, BLANK (TYPE2)
6	35122-MG9-810	KEY, BLANK (TYPE2)
6	35122-MG9-820	KEY, BLANK (TYPE2)
7	37601-MG9-951	BODY, HANDLE COVER
8	37602-MG9-951	CASE, R.
9	37603-MG9-951	CASE, L.
10	37610-MG9-951	WIRE COMP.
11	53110-MG9-950	CVR, HANDLE (UPPER)
12	53111-MG9-950	WEIGHT, HANDLE
13	53112-MG9-950	PLATE, HANDLE
14	53120-MG9-950	HANDLEBAR ASSY., R.
15	53121-MG9-950	CLIP, HARNESS
16	53160-MG9-950	HANDLEBAR ASSY., L.
17	53230-MG9-950	BRIDGE, FORK TOP
18	61406-MG9-680	COVER, HARNESS
19	90106-422-000	BOLT, SPECIAL SOCKET
20	90114-MG9-770	SCREW

Catalog Title:

GL1200 '84 GL1200A '84,'85 GL1200I '84,'85 GL1200L '85

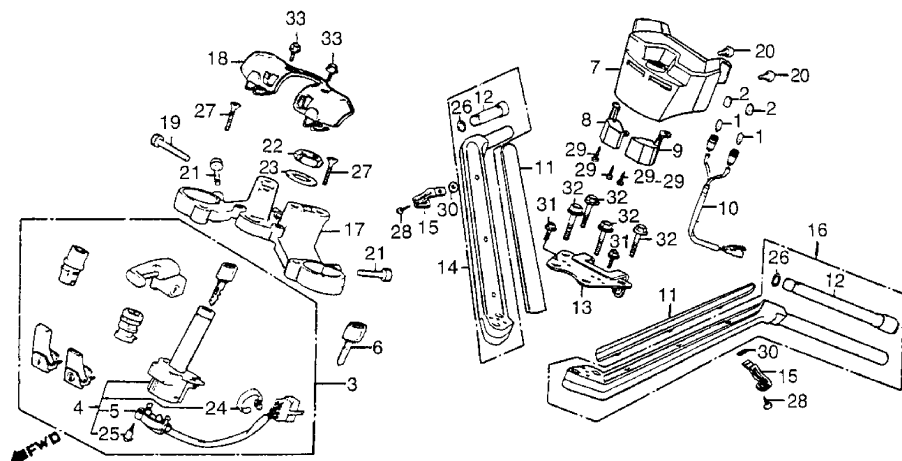
Block No.

F 0901

Block Title:

HANDLEBAR / KEY SET - GL1200L '85

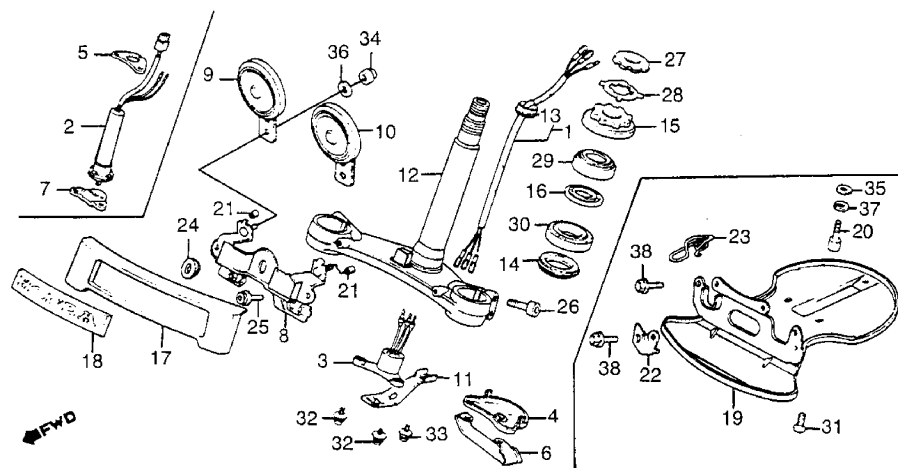
Ref. No.	Part No.	Description
21	90151-MB0-000	BOLT, SOCKET (7X38)
22	90304-371-000	NUT, STEERING STEM
23	90503-283-000	WASHER
24	91058-MG9-681	BAND, SELF-LOCK
25	91059-MG9-681	SCREW, TAP (3X16)
26	91352-422-000	O-RING (10.6X3)
27	93600-06040-0G	SCREW, FLAT (6X40)
28	93901-24220	SCREW, TAP (4X10)
29	93903-22220	SCREW, TAP (3X10)
30	94103-05800	WASHER, PLAIN (5MM)
31	95700-06014-08	BOLT, FLANGE (6X14)
31	95701-06014-08	BOLT, FLANGE (6X14)
32	95800-10050-08	BOLT, FLANGE (10X50)
32	95801-10050-08	BOLT, FLANGE (10X50)
33	95701-06010-08	BOLT, FLANGE (6X10)
33	95900-06010-08	BOLT, FLANGE (6X10)



Catalog Title:
GL1200 '84 GL1200A '84,'85 GL1200I '84,'85 GL1200L '85

Block No.
F 10

Block Title:
STEERING STEM / HORN

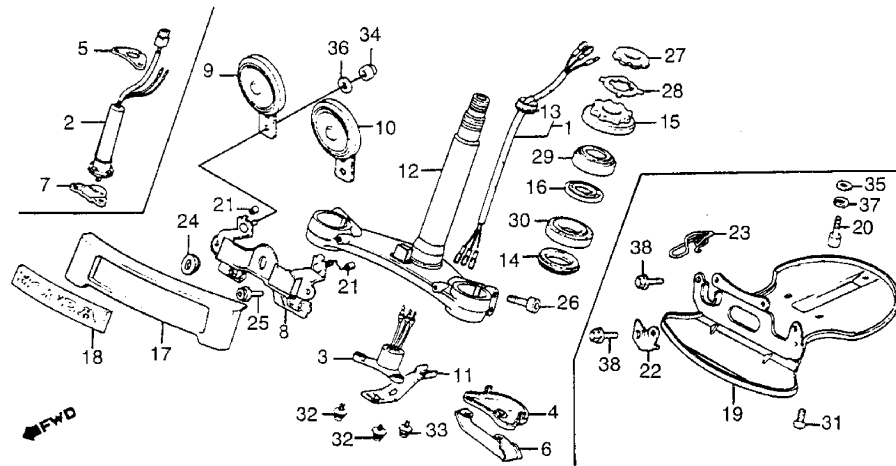


Ref. No.	Part No.	Description
1	32108-MG9-000	SUB-WIRE, ANGLE '84
1	32108-MG9-770	SUB-WIRE, ANGLE '84A/I
1	32108-MG9-680	SUB-WIRE, ANGLE '85 MODELS
2	35220-MG9-681	CANCEL UNIT '85 MODELS
2	35220-MG9-682	CANCEL UNIT '85 MODELS
3	35230-MB9-007	SENSOR, ANGLE '84 MODELS
4	35231-MB9-000	COVER, ANGLE SENSOR '84 MODELS
5	35231-MG9-680	PLATE, ANGLE SENSOR '85 MODELS
6	35233-MG9-000	GUIDE, WIRE HARNESS '84 MODELS
7	35255-MG9-680	PLATE, ANGLE SENSOR '85 MODELS
8	38102-MG9-000	STAY, HORN '84
9	38110-MG1-004	HORN ASSY. (HIGH) '84
9	38110-MJ1-831	HORN ASSY. (HIGH) '84
10	38120-MB1-700	HORN ASSY. (LOW) '84
10	38120-MB1-740	HORN ASSY. (LOW) '84
11	50231-MB9-000	SUPPORT, SENSOR '84 MODELS
11	50231-MB9-010	SUPPORT, SENSOR '85A/I
12	53200-MG9-000	STEM COMP., STEERING
12	53200-MG9-680	STEM COMP., STEERING '84 MODELS
13	53209-MB9-000	CAP, STEERING STEM
14	53214-371-010	DUST SEAL
15	53220-422-000	THREAD COMP. (UPPER)
16	53223-371-010	HOLDER, GREASE
17	61401-MG9-000	COVER, FR. '84

Catalog Title:
GL1200 '84 GL1200A '84,'85 GL1200I '84,'85 GL1200L '85

Block No.
F 10

Block Title:
STEERING STEM / HORN



Ref. No.	Part No.	Description
18	61402-MG9-000	EMBLEM, FR. COVER '84
19	61403-MG9-770	PROTECTOR, WIND '85 MODELS '84A/I
20	61404-MG9-770	BOLT, SPECIAL '84A/I
20	61404-MG9-680	BOLT, SPECIAL '85 MODELS
21	61405-MG9-000	TUBE, RUBBER '84
22	61405-MG9-770	STAY, FR. BRAKE HOSE '85 MODELS '84A/I
23	61410-MG9-770	GUIDE, BRAKE HOSE '85 MODELS '84A/I
24	83551-300-000	GROMMET '84
25	90009-MG9-000	BOLT (6X14) '84
26	90116-391-670	BOLT, SOCKET
27	90302-425-830	THREAD
28	90506-425-830	WASHER, LOCK
29	91015-425-831	BEARING, HEAD PIPE
29	91015-425-832	BEARING, HEAD PIPE
30	91016-371-000	BEARING, HEAD PIPE
31	93893-05010-07	SCREW-WASHER (5X10) '85 MODELS '84A/I
32	93893-05020-08	SCREW-WASHER (5X20) '84
33	93894-05010-07	SCREW-WASHER (5X10)
34	94021-06070-0S	NUT, CAP (6MM) '84
35	94101-05800	WASHER, PLAIN (5MM) '85 MODELS '84A/I
36	94101-06700	WASHER, PLAIN (6MM) '84
37	94111-05800	WASHER, SPRING (5MM) '85 MODELS '84A/I
38	95701-06010-08	BOLT, FLANGE (6X10) '85 MODELS '84A/I
38	95900-06010-08	BOLT, FLANGE (6X10) '85 MODELS '84A/I

Catalog Title:

GL1200 '84 GL1200A '84,'85 GL1200I '84,'85 GL1200L '85

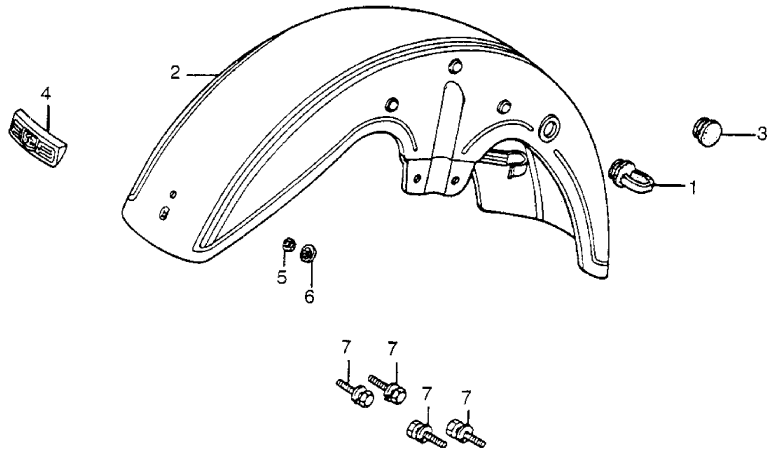
Block No.

F 11

Block Title:

FRONT FENDER

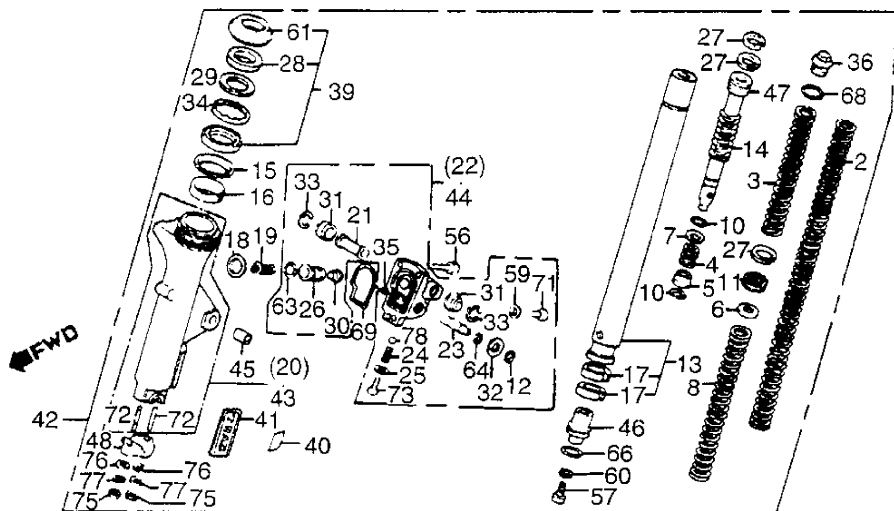
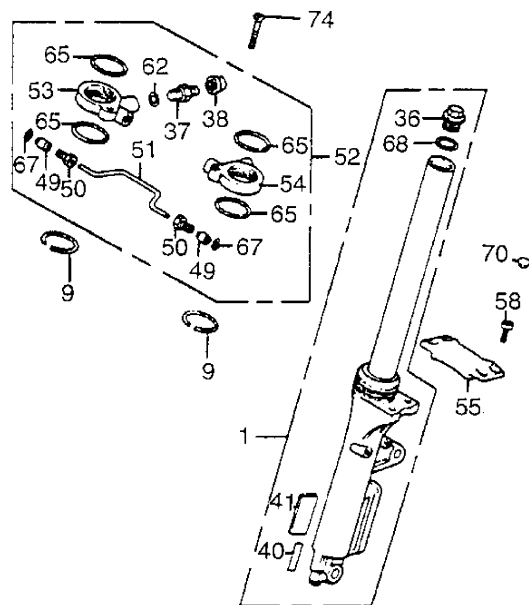
Ref. No.	Part No.	Description
1	45451-471-000	GROMMET, CABLE '84
2	61100-MG9-000ZC	FENDER, FR. *NH1Z* '84
2	61100-MG9-000ZA	FENDER, FR. *R114CU* '84 '84I
2	61100-MG9-870ZA	FENDER, FR. *R128PA* '84A
2	61100-MG9-870ZB	FDR, FR. *YR123MU* '84A
2	61100-MG9-870ZC	FDR, FR. *PB123PA* '84A
2	61100-MG9-930ZA	FENDER, FR. *R137PA* '85A
2	61100-MG9-930ZB	FENDER, FR. *PB140M* '85A
2	61100-MG9-930ZC	FENDER, FR. *YR125M* '85A
2	61100-MG9-000ZB	FDR, FR. *PB123PA* '84I
2	61100-MG9-000ZD	FDR, FR. *NH136MU* '84I
2	61100-MG9-680ZA	FENDER, FR. *R114CU* '85I
2	61100-MG9-680ZB	FENDER, FR. *NH144M* '85I
2	61100-MG9-680ZC	FENDER, FR. *PB142M* '85I
2	61100-MG9-950ZA	FENDER, FR. *YR126M* '85L
3	66892-567-680	GROMMET (10MM)
4	87124-MG9-000	EMBLEM, FR. FENDER
5	87411-538-910	RUBBER, RR.
6	90313-567-000	NUT, SPEED (3MM)
7	93402-06016-00	BOLT-WASHER (6X16)
7	93482-06016-00	BOLT-WASHER (6X16)



Catalog Title:
GL1200 '84 GL1200A '84,'85 GL1200I '84,'85 GL1200L '85

Block No.
F 12

Block Title:
FRONT FORK

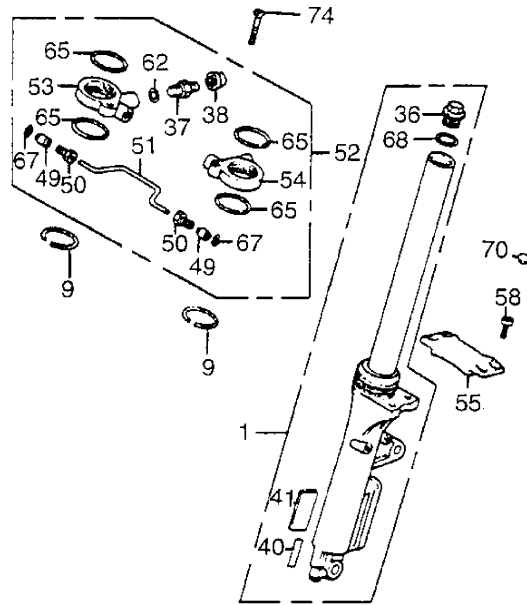


Ref. No.	Part No.	Description
1	51400-MG9-671	FORK ASSY., R. FR. '84
1	51400-MG9-672	FORK ASSY., R. FR. '84
1	51400-MG9-673	FORK ASSY., R. FR. '84
1	51400-MG9-772	FORK ASSY., R. FR. '84A '85A '84i '85i
1	51400-MG9-773	FORK ASSY., R. FR. '84A '85A '84i '85i
1	51400-MG9-951	FORK ASSY., R. FR. '85L
1	51400-MG9-952	FORK ASSY., R. FR. '85L
2	51401-MG9-671	SPRING, FR. FORK '84
3	51401-MG9-771	SPRING A, FR. FORK
4	51402-MB7-611	SPRING, OIL LOCK
5	51403-MB7-611	VALVE, OIL LOCK
6	51404-MB4-003	PLATE, SPRING JOINT '84A '85A '84i '85i
7	51404-MB7-611	SEAT, SPRING
8	51402-MG9-771	SPRING B, FR. FORK '84A '85A '84i '85i
8	51404-MG9-771	SPRING B, FR. FORK '84A '85A '84i '85i
8	51402-MG9-951	SPRING B, FR. FORK '85L
9	51405-MB4-003	RING, STOPPER
10	51405-MB7-611	RING, STOPPER
11	51405-MG9-951	FILTER COMP., FR. '85L
12	51406-MB1-771	RING, STOPPER
13	51410-MG9-671	PIPE COMP., FR. FORK
13	51410-MG9-672	PIPE COMP., FR. FORK
14	51411-MG9-671	SPRING, REBOUND
15	51412-MB4-003	RING, BACK-UP
15	51412-MB4-305	RING, BACK-UP

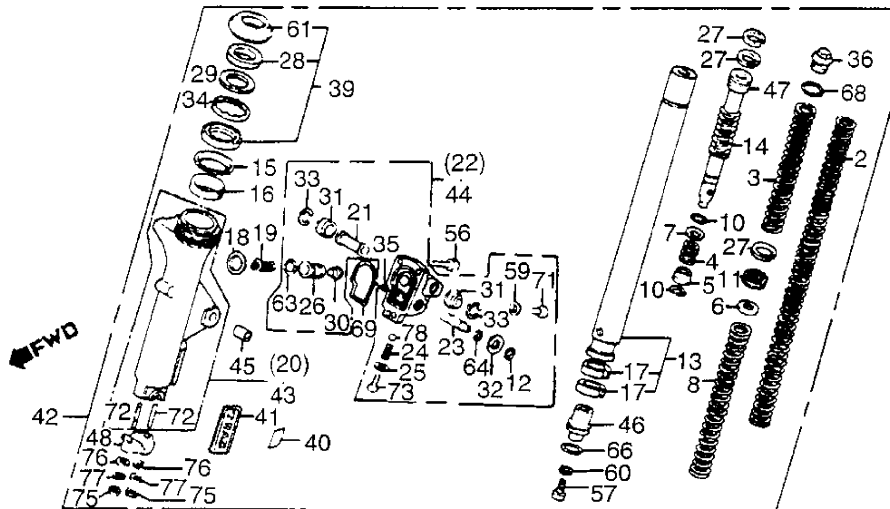
Catalog Title:
GL1200 '84 GL1200A '84,'85 GL1200I '84,'85 GL1200L '85

Block No.
F 12

Block Title:
FRONT FORK



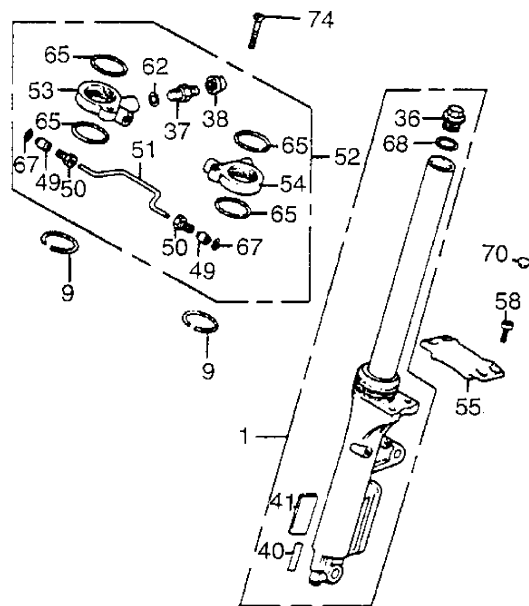
Ref. No.	Part No.	Description
16	51414-MB4-003	BUSH, GUIDE
17	51416-MB4-003	BUSH B, SLIDER
17	51419-MB4-003	BUSH B, SLIDER
18	51417-MA6-003	GASKET
19	51418-MA6-003	SPRING, PISTON
20	51421-MG9-671	CASE, R. (LOWER)
20	51421-MG9-672	CASE, R. (LOWER)
21	51423-MB1-771	COLLAR, PISTON
22	51430-MG9-671	CASE, R. PISTON
23	51433-MB1-771	ROD, ADJUSTER
24	51434-MC7-003	SPRING, CLICK
25	51435-MC7-003	WASHER (5MM)
26	51436-KE7-003	PISTON
27	51437-MB4-003	RING, PISTON
28	51438-MB4-003	HOLDER, GREASE '84 '84A '84i
29	51439-MB4-003	WASHER, HOLDER '84 '84A '84i
30	51441-MC7-003	RUBBER, STOPPER
31	51442-MC7-003	BOOT, PISTON CASE
32	51444-MB1-771	WASHER, L. SIDE
33	51445-MC7-003	HOLDER, BOOT
34	51447-MB4-003	CIRCLIP (INNER)
35	51448-MB1-771	PIN, PARALLEL
36	51455-MB4-003	BOLT, FR. FORK



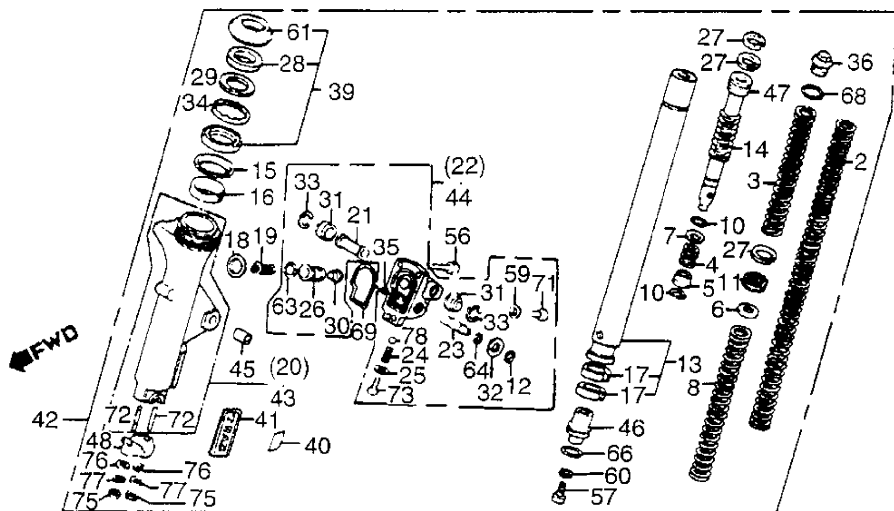
Catalog Title:
GL1200 '84 GL1200A '84,'85 GL1200I '84,'85 GL1200L '85

Block No.
F 12

Block Title:
FRONT FORK



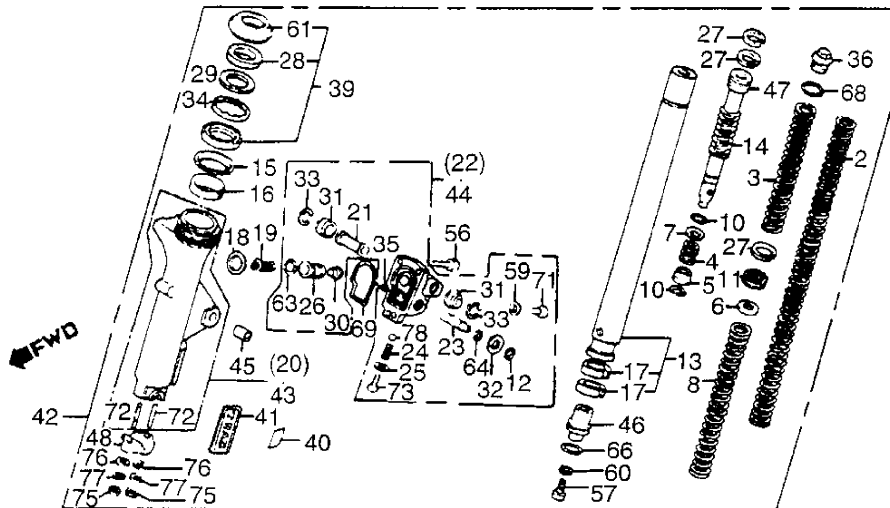
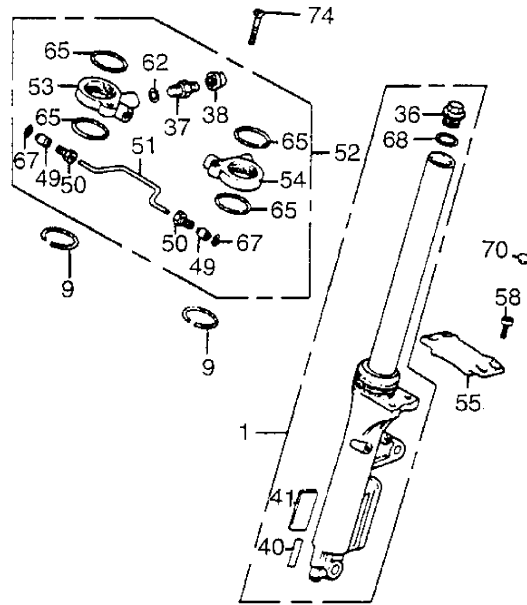
Ref. No.	Part No.	Description
36	51455-MG9-771	BOLT, FR. FORK
37	51456-469-013	VALVE COMP., AIR
38	51457-469-000	CAP ASSY., AIR VALVE '84 '84A '84i
38	52425-381-771	CAP, AIR VALVE '85A '85i '85L
39	51490-MB4-305	SEAL SET, FR. FORK '84 '84A '84i
39	51490-MB4-315	SEAL SET, FR. FORK
39	51490-MN8-305	SEAL SET, FR. FORK
40	51496-MC7-670	MARK, FR. FORK '84 '84A '85A '84i '85i
41	51496-MG9-950	EMBLEM, FR. FORK '85L
42	51500-MG9-672	FORK ASSY., L. FR. '84
42	51500-MG9-673	FORK ASSY., L. FR. '84
42	51500-MG9-771	FORK ASSY., L. FR. '84A '84i
42	51500-MG9-772	FORK ASSY., L. FR. '84A '85A '84i '85i
42	51500-MG9-773	FORK ASSY., L. FR. '84A '85A '84i '85i
42	51500-MG9-951	FORK ASSY., L. FR. '85L
42	51500-MG9-952	FORK ASSY., L. FR. '85L
43	51521-MG9-671	CASE, L. (LOWER)
43	51521-MG9-672	CASE, L. (LOWER)
44	51530-MG9-671	CASE, L. PISTON
45	51532-MB2-300	BUSH, PIVOT
46	51532-MB4-003	PIECE B, OIL LOCK
47	51540-MG9-671	PIPE B, SEAT
48	51634-MB9-781	HOLDER, AXLE
49	53134-MG5-671	SLEEVE
50	53135-MG5-671	BOLT, HEX.



Catalog Title:
GL1200 '84 GL1200A '84,'85 GL1200I '84,'85 GL1200L '85

Block No.
F 12

Block Title:
FRONT FORK

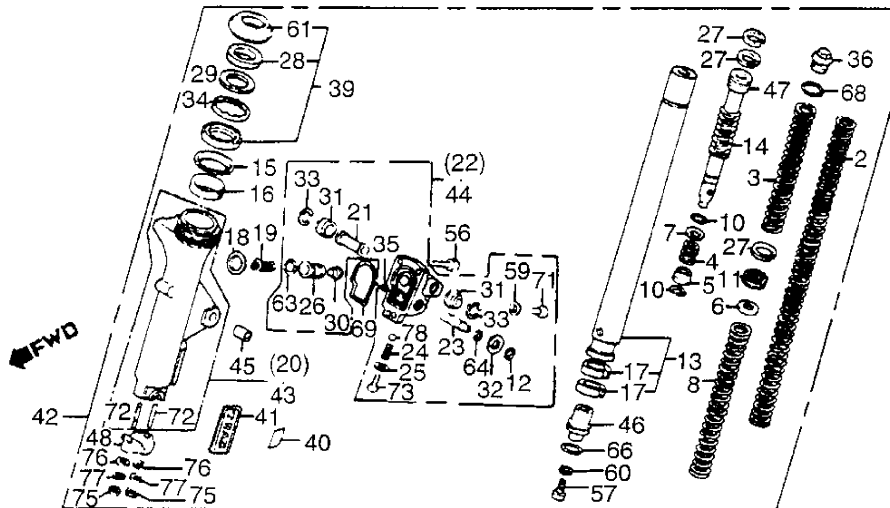
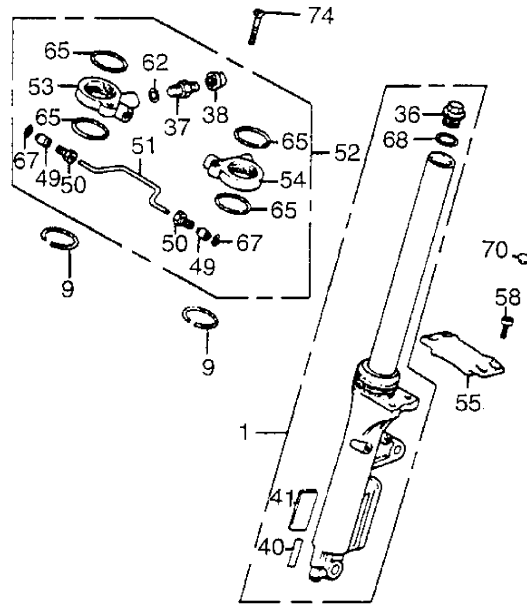


Ref. No.	Part No.	Description
51	53136-MG9-003	PIPE
52	53137-MG9-003	EQUALIZER, FR. FORK '84 '84A '85A '84i '85i
52	53137-MG9-951	EQUALIZER, FR. FORK '85L
53	53138-MG9-003	JOINT, R. AIR
54	53139-MG9-003	JOINT, L. AIR
55	53240-MB9-780	STABILIZER, FR. FORK
56	90116-MC7-003	BOLT, SOCKET (6X18)
56	90118-MC7-003	BOLT, SOCKET (6X18)
56	96700-06018-17	BOLT, SOCKET (6X18)
57	90116-283-010	BOLT, SOCKET (8MM) '84 '84A '84i
57	90116-283-010	BOLT, SOCKET (8MM) '85A '85i
57	90116-383-721	BOLT, SOCKET (8MM)
57	90116-383-720	BOLT, SOCKET (8MM) '85A
58	90153-MB0-000	BOLT, SOCKET (8X17)
58	90153-MB0-405	BOLT, SOCKET (8X17)
59	90543-273-000	GASKET, FR.
60	90544-283-000	WASHER (8MM)
61	91254-MB4-003	DUST SEAL
61	91254-MM8-003	DUST SEAL
62	91301-469-003	O-RING (5.8X1.9)
62	91305-323-000	O-RING (5.8X1.9)

Catalog Title:
GL1200 '84 GL1200A '84,'85 GL1200I '84,'85 GL1200L '85

Block No.
F 12

Block Title:
FRONT FORK

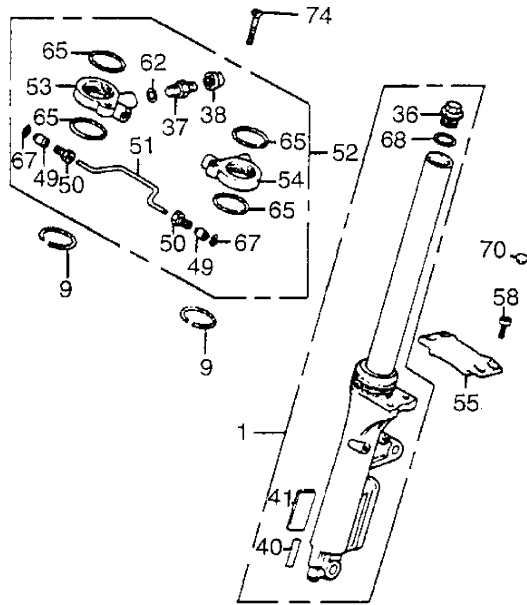


Ref. No.	Part No.	Description
62	91318-ME5-003	O-RING (5.6X1.9)
63	91305-MC7-003	O-RING (13.8X2.4)
63	91308-MC7-003	O-RING (13.8X2.4)
63	91311-PH7-003	O-RING (13.8X2.4)
64	91306-PJ4-000	O-RING (6.8X1.9)
64	91310-MC7-003	O-RING (6.8X1.9)
65	91352-MB4-003	O-RING
66	91353-MB4-003	O-RING (37.5X2)
67	91353-MG5-671	O-RING
68	91356-MB4-003	O-RING
69	91308-MJ0-003	O-RING
69	91399-MB0-003	O-RING
70	91455-MB0-000	CAP (8MM)
70	91455-MB0-010	CAP (8MM)
71	92000-06008-0A	BOLT, HEX. (6X8)
71	92101-06008-0A	BOLT, HEX. (6X8)
72	92700-08050-3B	BOLT, STUD (8X50) ALL '84
72	92900-08028-3B	BOLT, STUD (8X50) ALL '84
72	90102-463-003	BOLT, STUD (10X52) ALL '85
73	93500-05010-0A	SCREW, PAN (5X10)
73	93500-05010-1A	SCREW, PAN (5X10)
73	93510-05010-0A	SCREW, PAN (5X10)
74	93600-06040-0G	SCREW, FLAT (6X40)
75	94030-08000	NUT, HEX. (8MM)
76	94101-08000	WASHER, PLAIN (8MM)

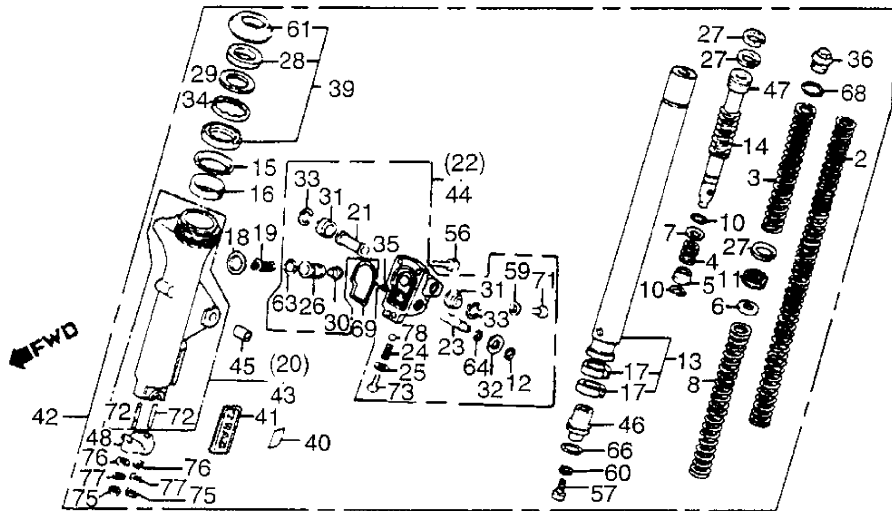
Catalog Title:
GL1200 '84 GL1200A '84,'85 GL1200I '84,'85 GL1200L '85

Block No.
F 12

Block Title:
FRONT FORK



Ref. No.	Part No.	Description
77	94111-08000	WASHER, SPRING (8MM)
78	96211-05000	BALL (#5) (5/32)



Catalog Title:

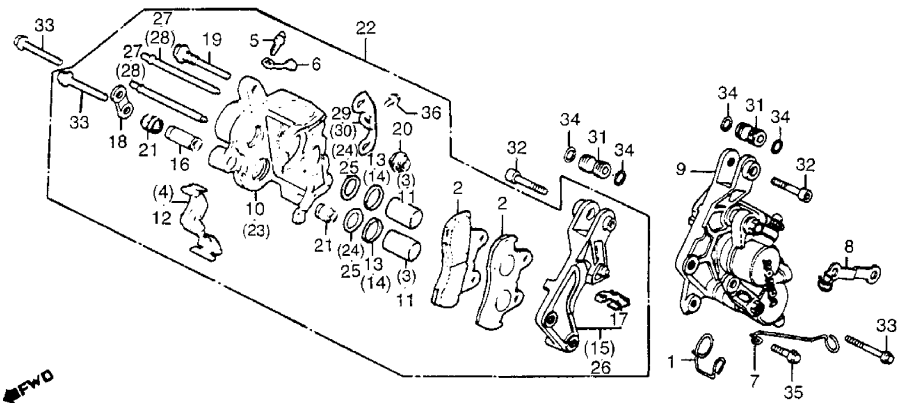
GL1200 '84 GL1200A '84,'85 GL1200I '84,'85 GL1200L '85

Block No.

F 13

Block Title:

FRONT BRAKE CALIPER



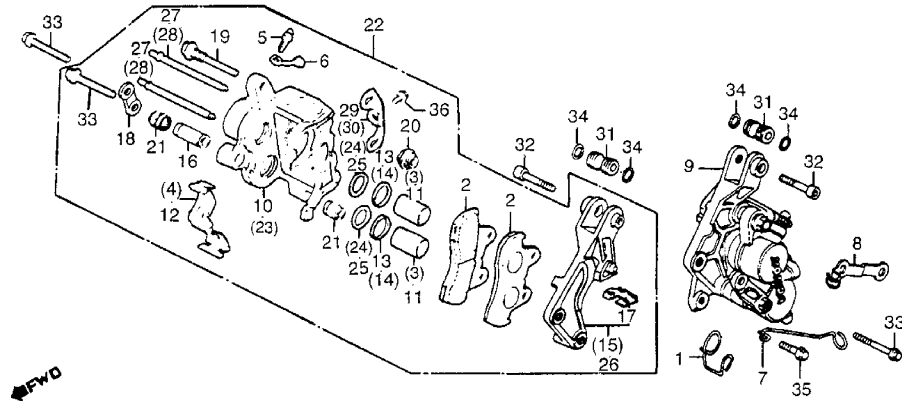
Ref. No.	Part No.	Description
1	37801-MB0-000	CLAMP '84A
2	43105-MB4-007	PAD COMP., RR.
2	43105-MB4-017	PAD COMP., RR.
3	43107-MA7-006	PISTON '84 '84A '85A '85L
3	45107-MG9-771	PISTON '84i '85i
4	43108-MB9-781	SPRING, PAD '84 '84i
4	45108-MA2-006	SPRING, PAD '84A '85A '85 '85L
5	43352-568-003	SCREW, BLEEDER
6	43353-461-771	CAP, BLEEDER
7	44832-MB9-780	CLAMP '84 '85i
8	44832-MG9-930	CLAMP '85A '85L
9	45100-MG9-305	CALIPER, L. FR. '84
9	45100-MG9-871	CALIPER, L. FR. '84A '85A '85L
9	45100-MG9-874	CALIPER, L. FR. '84A '85A '85L
9	45100-MG9-771	CALIPER, L. FR. '84i '85i
10	45101-MG9-305	CALIPER COMP., L. '84
10	45101-MG9-771	CALIPER COMP., L. '84A '85A '84i '85i '85L
11	45107-MB9-781	PISTON
12	43108-MB9-781	SPRING, PAD '84
12	45108-MA2-006	SPRING, PAD '84A '85A '84i '85i '85L
13	45109-GE2-006	DUST SEAL
14	45109-MA7-006	DUST SEAL
15	45110-MG9-006	BRACKET, L. FR. '84 '84i '85i
15	45110-MG9-871	BRACKET, L. FR. '84A '85A '85L
16	45111-MA3-006	SLEEVE

Catalog Title:
GL1200 '84 GL1200A '84,'85 GL1200I '84,'85 GL1200L '85

Block No.
F 13

Block Title:
FRONT BRAKE CALIPER

Ref. No.	Part No.	Description
17	45112-445-631	RETAINER, BRACKET '84 '84i '85i
17	45112-MB9-871	RETAINER, FR. '84A '85A '85L
18	45113-MG9-000	BRIDGE '84 '84i '85i
18	45113-MB7-610	BRIDGE '84A '85A '85L
19	45131-MA3-006	PIN, BOLT
20	45133-MA3-006	BOOT B
21	45133-166-016	BOOT, PIN
22	45200-MG9-305	CALIPER, R. FR. '84 '84i '85i
22	45200-MG9-871	CALIPER, R. FR. '84A '85A '85L
23	45201-MG9-871	CALIPER, R. FR. '84A '85A '85L
23	45201-MG9-873	CALIPER, R. FR. '84 '84i '85i
24	45209-GE2-006	SEAL, PISTON
25	45209-MA7-006	SEAL, PISTON
26	45210-MG9-006	BRACKET, R. FR. '84A '85A '85L
26	45210-MG9-871	BRACKET, R. FR. '84 '84i '85i
27	45215-MA2-006	PIN, HANGER
28	45215-MA6-006	PIN, HANGER '84
28	45215-MG9-771	PIN, HANGER '84A '85A '84i '85i '85L
29	45217-MA3-006	PLATE
30	45217-MA3-006	PLATE '84
30	45217-MG9-771	PLATE '84A '85A '84i '85i '85L
31	51536-MB2-000	SLEEVE, FR.
32	90131-MB2-000	BOLT, SOCKET (10X40)
33	90180-MA3-660	BOLT, FLANGE (8X55)

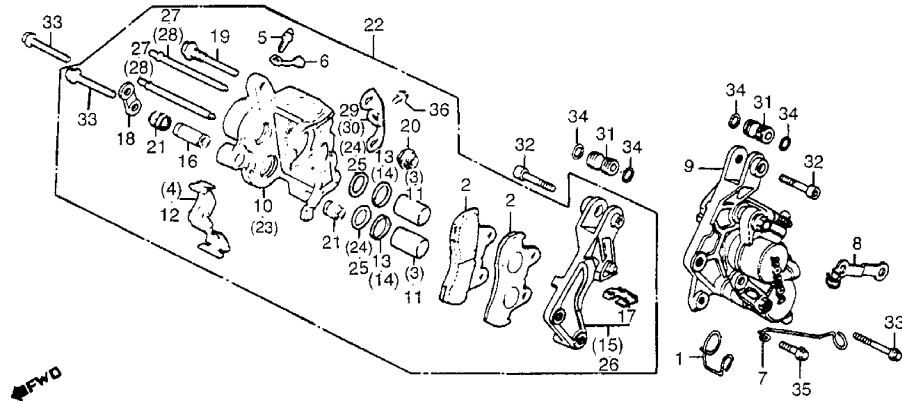


Catalog Title:
GL1200 '84 GL1200A '84,'85 GL1200I '84,'85 GL1200L '85

Block No.
F 13

Block Title:
FRONT BRAKE CALIPER

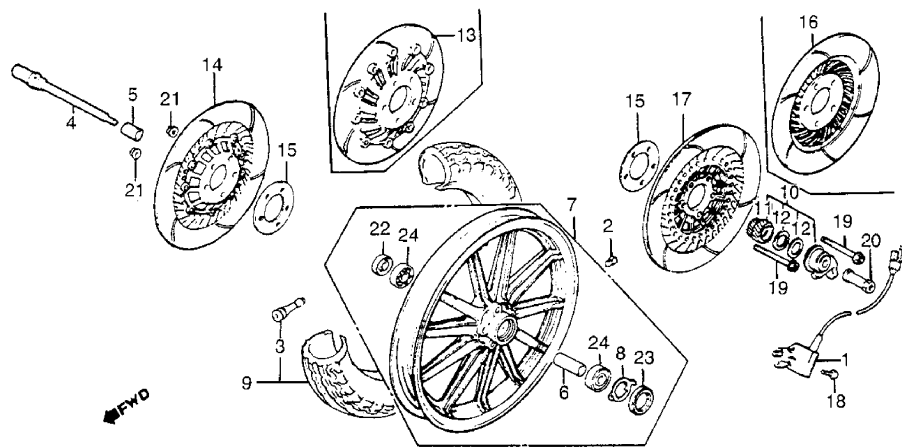
Ref. No.	Part No.	Description
34	91308-MC7-003	O-RING (13.8X2.4)
34	91311-PH7-003	O-RING (13.8X2.4)
35	95700-06010-00	BOLT, FLANGE (6X10)
35	95701-06010-00	BOLT, FLANGE (6X10)
36	95700-06010-07	BOLT, FLANGE (6X10)
36	95701-06010-07	BOLT, FLANGE (6X10)
900	431A0-MB4-306	BRAKE PAD KIT
900	431A0-MB4-307	BRAKE PAD KIT
901	431A0-MB4-306	BRAKE PAD KIT
901	431A0-MB4-308	BRAKE PAD KIT
902	431A0-MB4-306	BRAKE PAD KIT



Catalog Title:
GL1200 '84 GL1200A '84,'85 GL1200I '84,'85 GL1200L '85

Block No.
F 14

Block Title:
FRONT WHEEL

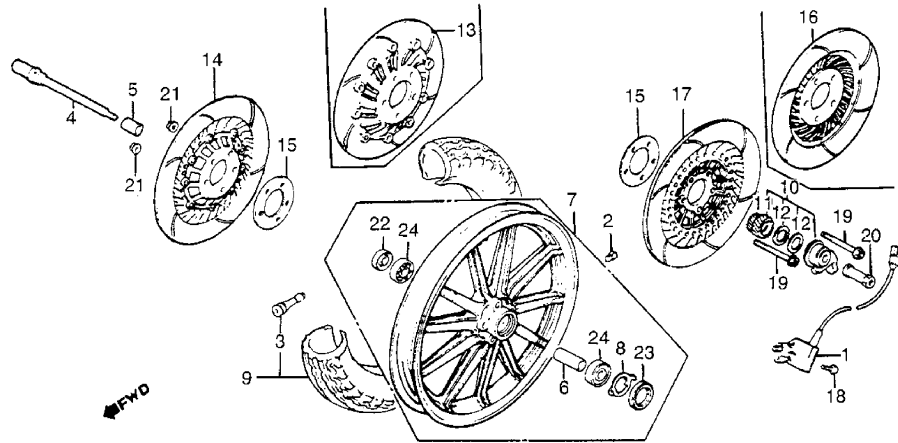


Ref. No.	Part No.	Description
1	37700-MG9-871	SENSOR ASSY., SPEED '84A
1	37700-MG9-931	SENSOR ASSY., SPEED '85A
1	37700-MG9-951	SENSOR ASSY., SPEED '85L
2	42704-MB0-000	WEIGHT (10G)
2	42705-MB0-000	WEIGHT (20G)
2	42706-MB0-000	WEIGHT (30G)
3	42753-GC7-821	VALVE, RIM
3	42753-GC7-822	VALVE, RIM
3	42753-GC7-823	VALVE, RIM
3	42753-VM0-003	VALVE, RIM
4	44301-463-000	AXLE, FR. WHEEL
5	44311-410-000	COLR, FR. WHEEL SIDE
5	44311-425-870	COLR, FR. WHEEL SIDE
6	44620-410-000	COLLAR, FR.
7	44650-MG9-305	WHEEL COMP., FR. ALL '84
7	44650-MG9-680	WHEEL COMP., FR.
8	44680-410-000	RETAINER, GEAR BOX
9	44710-MG9-003	UNAVAILABLE
9	44710-MG9-004	TIRE (130/90-16) ALL '84
9	44710-MG9-005	UNAVAILABLE
9	44710-MG9-871	UNAVAILABLE
9	44710-MG9-872	TIRE (130/90-16) '84A '85A '85L
9	44710-MG9-873	UNAVAILABLE
10	44800-MG9-013	BOX ASSY.
10	44800-ML8-701	BOX ASSY.

Catalog Title:
GL1200 '84 GL1200A '84,'85 GL1200I '84,'85 GL1200L '85

Block No.
F 14

Block Title:
FRONT WHEEL



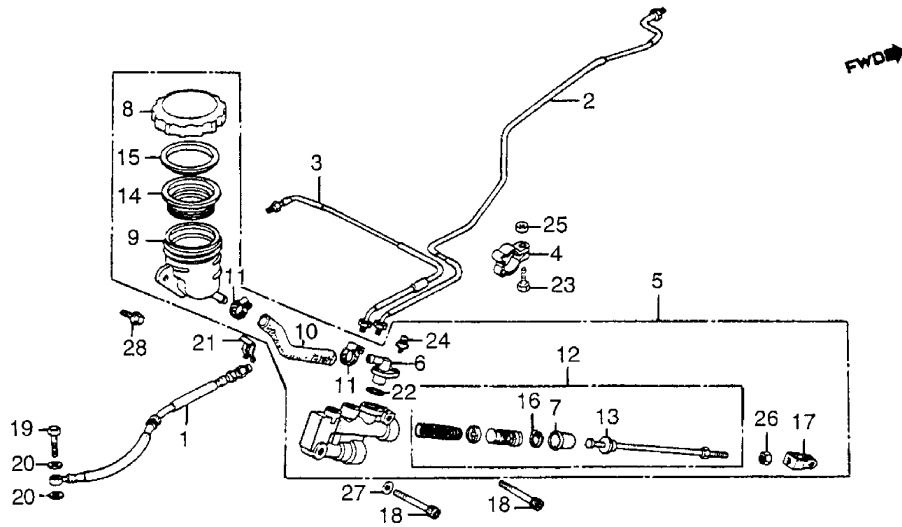
Ref. No.	Part No.	Description
11	44806-ML8-701	GEAR, SPEEDOMETER
12	44809-402-000	WASHER
13	45120-MG9-000	DISK COMP., R. FR. '84 '84i '85L
14	45120-MG9-870	DISK COMP., R. FR. '84A '85A
15	45128-445-630	SHIM, DAMPING
16	45220-MG9-000	DISK COMP., L. FR. '84 '84i '85i
17	45220-MG9-870	DISK COMP., L. FR. '84A '85A '85L
18	90101-MG9-000	SCREW, PAN (5X20) '84A '85A '85L
19	90113-MG9-000	BOLT, FLANGE (8X116)
20	90305-MB9-780	NUT, AXLE (12MM)
21	90309-KF0-003	NUT, FLANGE (8MM)
21	90309-428-731	NUT, FLANGE (8MM)
22	91252-MC7-003	DUST SEAL (22X42X7)
23	91258-410-013	DUST SEAL (40X50X5)
24	96150-63020-10	BEARING (6302UU)
24	96140-63020-10	BEARING (6302UU) '85A '85i '85L

Catalog Title:
GL1200 '84 GL1200A '84,'85 GL1200I '84,'85 GL1200L '85

Block No.
F 15

Block Title:
RR BRAKE MASTER CYL. - 1200I/A '84-'85

Ref. No.	Part No.	Description
1	43310-MG9-003	HOSE, RR. BRAKE
1	43310-MG9-013	HOSE, RR. BRAKE
2	43311-MG9-000	PIPE A, RR.
2	43311-MG9-010	PIPE A, RR.
3	43312-MG9-000	PIPE B, RR.
4	43320-MG9-000	BAND, BRAKE PIPE
5	43500-MG9-006	M/CYL ASSY., RR.
6	43503-MG9-006	CONNECTOR
7	43504-MB2-006	BOOT COMP.
8	43510-MB4-671	CAP COMP., OIL CUP ALL '84
8	43513-MB4-672	CAP COMP., OIL CUP '85A '85i
9	43511-MA6-006	CUP
10	43512-MG9-000	HOSE
11	43514-445-771	CLAMP
12	43520-MG9-305	PISTON SET
13	43530-MG9-006	ROD COMP., PUSH
14	45520-300-000	DIAPHRAGM
15	45521-300-010	PLATE, DIAPHRAGM ALL '84
15	45521-MJ6-006	PLATE, DIAPHRAGM
16	46182-500-013	CIRCLIP
17	46504-445-771	JOINT, BRAKE ROD
18	90106-438-000	BOLT, SOCKET (8X48)
19	90145-300-000	BOLT, OIL ALL '84
19	90145-300-010	BOLT, OIL ALL '84
19	90145-961-000	BOLT, OIL ALL '84



Catalog Title:

GL1200 '84 GL1200A '84,'85 GL1200I '84,'85 GL1200L '85

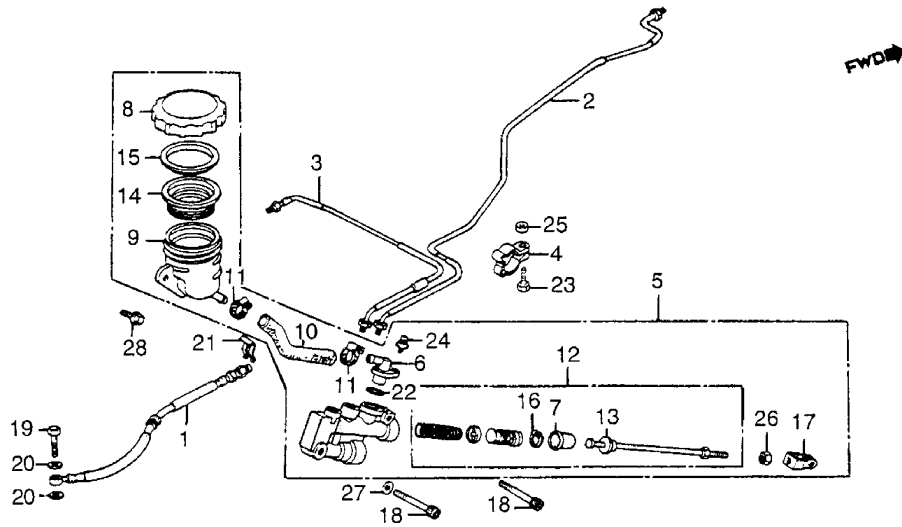
Block No.

F 15

Block Title:

RR BRAKE MASTER CYL. - 1200I/A '84-'85

Ref. No.	Part No.	Description
19	90145-KM3-750	BOLT, OIL (10X22) '85A '85i
19	90145-961-010	BOLT, OIL (10X22) '85A '85i
20	90545-300-000	WASHER, OIL BOLT
21	90651-538-000	CLIP, BRAKE HOSE
22	91212-422-006	O-RING (14.8X2.4)
23	92000-06016-0A	BOLT, HEX. (6X16)
23	92100-06016-0A	BOLT, HEX. (6X16)
23	92101-06016-0A	BOLT, HEX. (6X16)
24	93893-04012-08	SCREW-WASHER (4X12)
24	93893-04012-18	SCREW-WASHER (4X12)
25	94001-06000-0S	NUT, HEX. (6MM)
25	94001-06200-0S	NUT, HEX. (6MM)
26	94002-08000-0S	NUT, HEX. (8MM)
27	94101-08000	WASHER, PLAIN (8MM)
28	95700-06012-08	BOLT, FLANGE (6X12)
28	95701-06012-08	BOLT, FLANGE (6X12)



Catalog Title:

GL1200 '84 GL1200A '84,'85 GL1200I '84,'85 GL1200L '85

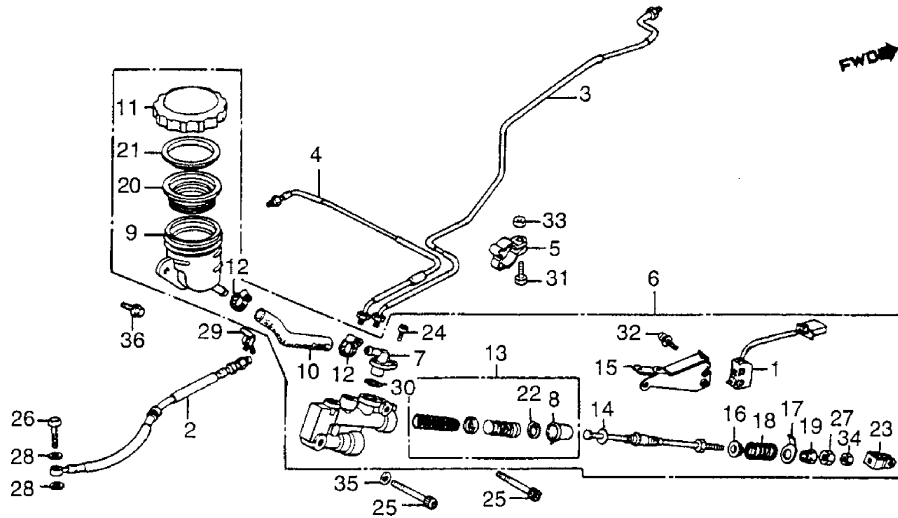
Block No.

F 1501

Block Title:

RR. BRAKE MASTER CYL. - 1200L '85

Ref. No.	Part No.	Description
1	35355-MG9-951	SWITCH ASSY., RR.
2	43310-MG9-013	HOSE, RR. BRAKE
3	43311-MG9-010	PIPE A, RR.
4	43312-MG9-000	PIPE B, RR.
5	43320-MG9-000	BAND, BRAKE PIPE
6	43500-MG9-951	M/CYL ASSY., RR.
7	43503-MG9-006	CONNECTOR
8	43504-MB2-006	BOOT COMP.
9	43511-MA6-006	CUP
10	43512-MG9-000	HOSE
11	43513-MB4-672	CAP COMP., OIL CUP
12	43514-445-771	CLAMP
13	43520-MG9-305	PISTON SET
14	43530-MG9-951	ROD COMP., PUSH
15	43535-MG9-951	BRACKET
16	43536-MG9-951	STOPPER, SPRING
17	43537-MG9-951	PLATE
18	43538-MG9-951	SPRING, SWITCH
19	43539-MG9-951	NUT B (14MM)
20	45520-300-000	DIAPHRAGM
21	45521-MJ6-006	PLATE, DIAPHRAGM
22	46182-500-013	CIRCLIP
23	46504-445-771	JOINT, BRAKE ROD
24	90102-MB2-000	BOLT, SOCKET (4X13)
24	90102-MB2-505	BOLT, SOCKET (4X13)

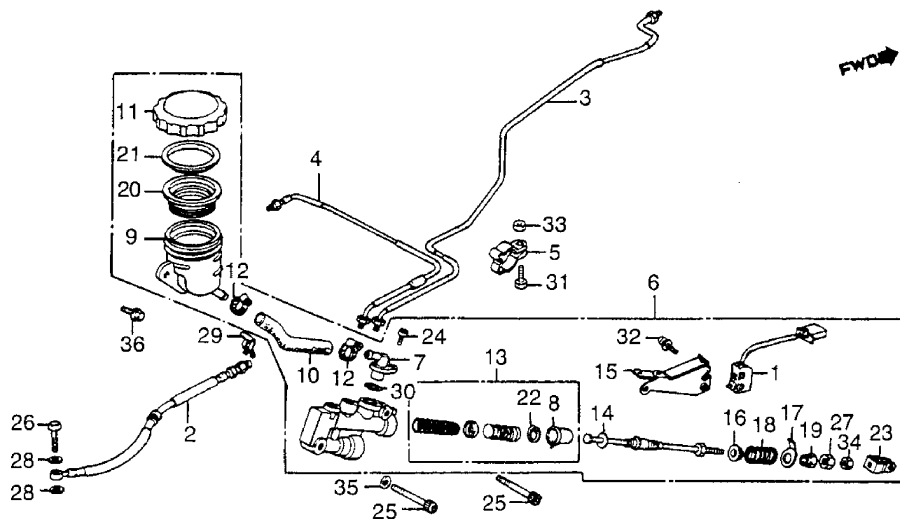


Catalog Title:
GL1200 '84 GL1200A '84,'85 GL1200I '84,'85 GL1200L '85

Block No.
F 1501

Block Title:
RR. BRAKE MASTER CYL. - 1200L '85

Ref. No.	Part No.	Description
25	90106-438-000	BOLT, SOCKET (8X48)
26	90145-KM3-750	BOLT, OIL (10X22)
26	90145-961-010	BOLT, OIL (10X22)
27	90301-MG9-951	NUT (14X1.0)
28	90545-300-000	WASHER, OIL BOLT
29	90651-538-000	CLIP, BRAKE HOSE
30	91212-422-006	O-RING (14.8X2.4)
31	92000-06016-0A	BOLT, HEX. (6X16)
31	92100-06016-0A	BOLT, HEX. (6X16)
31	92101-06016-0A	BOLT, HEX. (6X16)
32	93891-04016-08	SCREW-WASHER (4X16)
33	94001-06000-0S	NUT, HEX. (6MM)
33	94001-06200-0S	NUT, HEX. (6MM)
34	94002-08000-0S	NUT, HEX. (8MM)
35	94101-08000	WASHER, PLAIN (8MM)
36	95700-06012-08	BOLT, FLANGE (6X12)
36	95701-06012-08	BOLT, FLANGE (6X12)



Catalog Title:

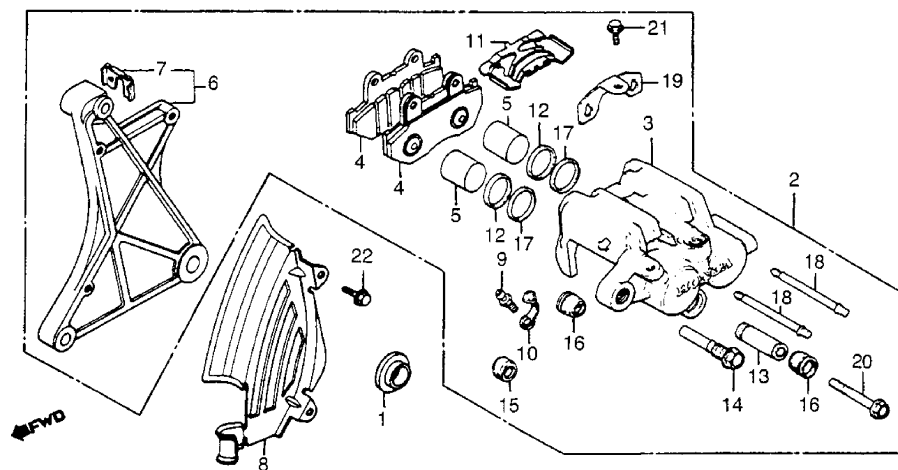
GL1200 '84 GL1200A '84,'85 GL1200I '84,'85 GL1200L '85

Block No.

F 16

Block Title:

REAR BRAKE CALIPER



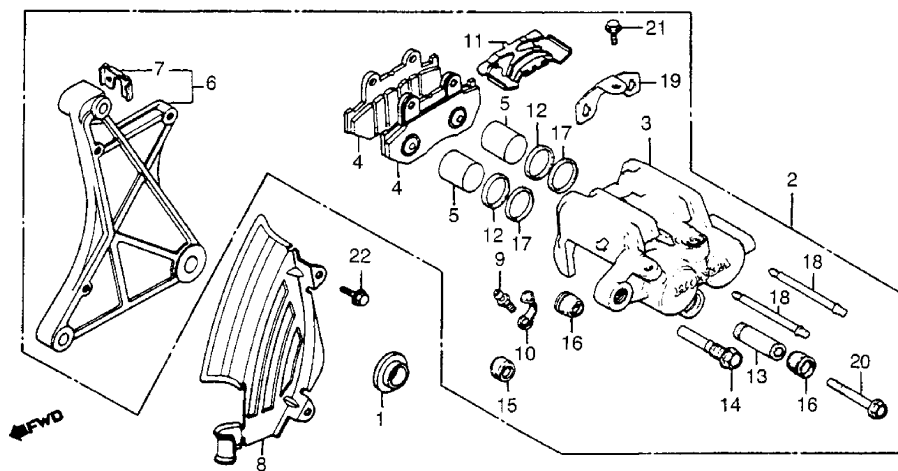
Ref. No.	Part No.	Description
1	42313-MG9-000	COLR, RR. WHEEL SIDE
2	43100-MG9-007	CALIPER ASSY., RR.
3	43101-MG9-006	CALIPER COMP., RR.
3	43101-MG9-016	CALIPER COMP., RR.
3	43101-MG9-026	CALIPER COMP., RR.
4	43105-MG9-007	PAD COMP., RR.
4	43105-MG9-017	PAD COMP., RR.
5	43107-MA7-006	PISTON
6	43110-MG9-006	BRACKET COMP., RR.
6	43110-MG9-711	BRACKET COMP., RR.
7	43112-445-631	RETAINER, RR.
8	43140-MG9-000	COVER, RR. DISK
9	43352-568-003	SCREW, BLEEDER
10	43353-461-771	CAP, BLEEDER
11	45108-MA2-006	SPRING, PAD
12	45109-MA7-006	DUST SEAL
13	45111-MA3-006	SLEEVE
14	45131-MA3-006	PIN, BOLT
15	45133-MA3-006	BOOT B
16	45133-166-016	BOOT, PIN
17	45209-MA7-006	SEAL, PISTON
18	45215-MA2-006	PIN, HANGER
19	45217-MA3-006	PLATE
20	90180-MA3-006	BOLT, FLANGE (8X49)
21	95700-06010-07	BOLT, FLANGE (6X10)

Catalog Title:
GL1200 '84 GL1200A '84,'85 GL1200I '84,'85 GL1200L '85

Block No.
F 16

Block Title:
REAR BRAKE CALIPER

Ref. No.	Part No.	Description
21	95701-06010-07	BOLT, FLANGE (6X10)
22	96000-06020-07	BOLT, FLANGE (6X20)
22	96001-06020-07	BOLT, FLANGE (6X20)
900	431A0-MG9-007	BRAKE PAD KIT



Catalog Title:

GL1200 '84 GL1200A '84,'85 GL1200I '84,'85 GL1200L '85

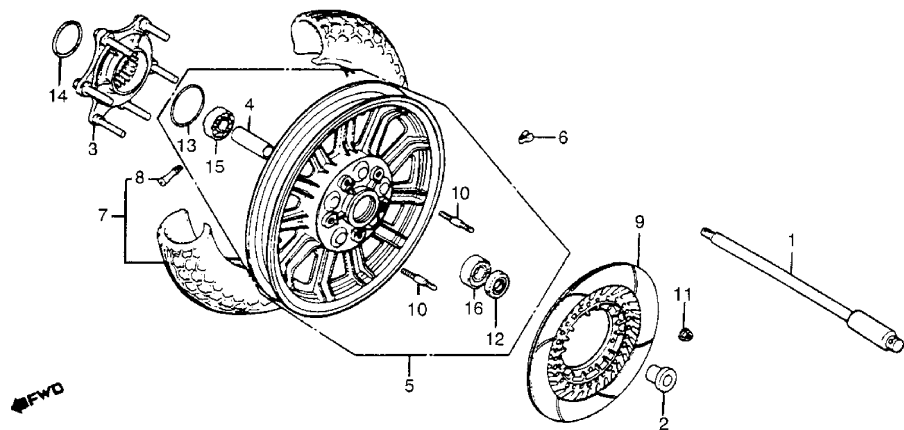
Block No.

F 17

Block Title:

REAR WHEEL

Ref. No.	Part No.	Description
1	42301-MG9-000	AXLE, RR. WHEEL
2	42313-MG9-000	COLR, RR. WHEEL SIDE
3	42614-MG9-000	FLANGE, FINAL DRIVEN
4	42620-MB4-000	COLLAR A, RR. ALL '84
4	42620-MB4-405	COLLAR A, RR.
4	42620-431-670	COLLAR A, RR. ALL '85
5	42650-MG9-680	WHEEL SET
5	42660-MG9-305	WHEEL SET
5	42660-MG9-315	WHEEL COMP., RR.
6	42704-MB0-000	WEIGHT (10G)
6	42705-MB0-000	WEIGHT (20G)
6	42706-MB0-000	WEIGHT (30G)
7	42710-MG9-003	UNAVAILABLE
7	42710-MG9-004	TIRE (150/90-15) '84 '84i '85i
7	42710-MG9-005	UNAVAILABLE
7	42710-MG9-871	UNAVAILABLE
7	42710-MG9-872	TIRE (150/90-15) '84A '85A '85L
7	42710-MG9-873	UNAVAILABLE
8	42753-GC7-821	VALVE, RIM
8	42753-GC7-822	VALVE, RIM
8	42753-GC7-823	VALVE, RIM
8	42753-VM0-003	VALVE, RIM
9	43120-MG9-000	DISK, RR. BRAKE
10	90125-329-010	BOLT, STUD (8X45)
11	90309-357-000	NUT, HEX. (8MM)

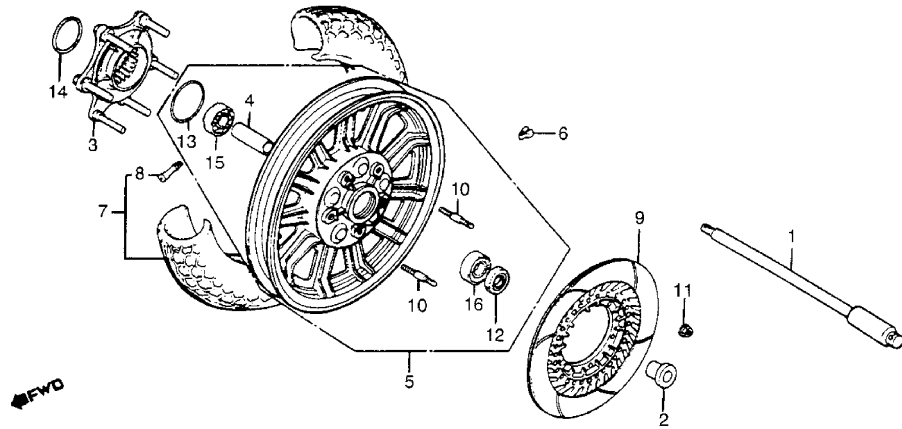


Catalog Title:
GL1200 '84 GL1200A '84,'85 GL1200I '84,'85 GL1200L '85

Block No.
F 17

Block Title:
REAR WHEEL

Ref. No.	Part No.	Description
12	91253-442-003	DUST SEAL (30X52X7)
12	91253-442-004	DUST SEAL (30X52X7)
13	91357-MB0-000	O-RING (56.5X3.5)
14	91358-MG9-003	O-RING (50.5X3.5)
14	91358-MG9-004	O-RING (50.5X3.5)
15	96140-62040-10	BEARING (6204U)
16	96140-63040-10	BEARING (6304U)



Catalog Title:

GL1200 '84 GL1200A '84,'85 GL1200I '84,'85 GL1200L '85

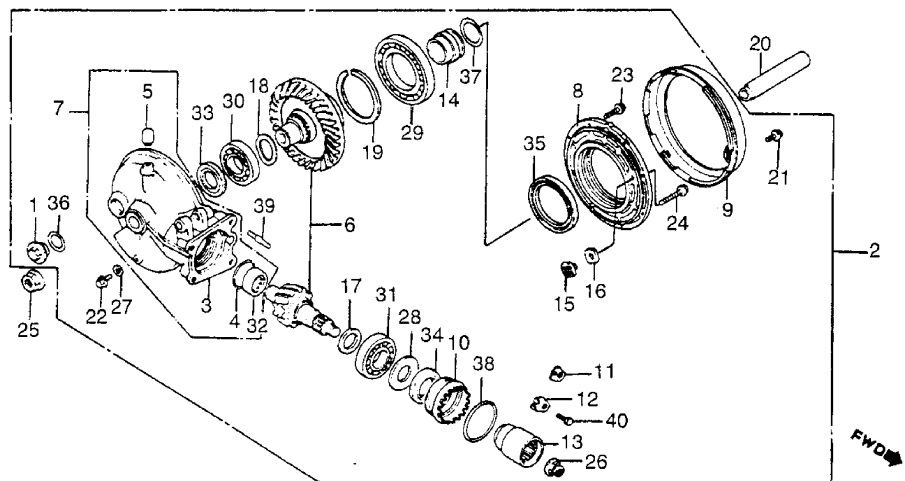
Block No.

F 18

Block Title:

FINAL DRIVEN GEAR

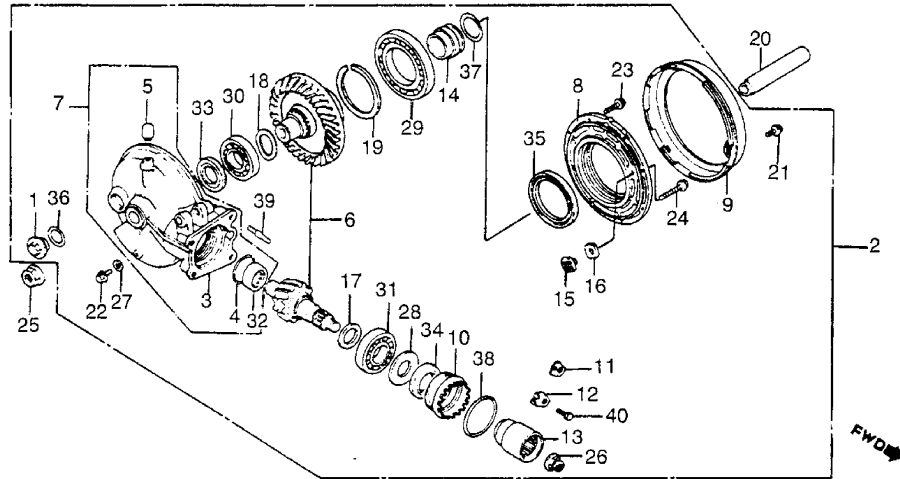
Ref. No.	Part No.	Description
1	12361-035-000	CAP, VALVE ADJ.
1	12361-300-000	CAP, VALVE ADJ.
1	12361-371-980	CAP, VALVE ADJ.
2	41300-MG9-010	GEAR, FINAL DRIVEN ALL '84
2	41300-MG9-020	GEAR, FINAL DRIVEN ALL '84
2	41300-MG9-030	GEAR, FINAL DRIVEN
3	41301-MG9-000	CASE, FINAL GEAR - ALL '84
3	41301-MG9-010	CASE, FINAL GEAR - ALL '84
3	41301-MG9-020	CASE, FINAL GEAR - ALL '85
4	41305-MB4-770	RING, STOPPER - ALL '85
5	41306-MB0-010	CAP, BREATHER
5	41306-ME5-305	BREATHER ASSY.
6	41310-MG9-000	GEAR SET, FINAL
7	41311-MG9-305	CASE SET, FINAL - ALL '85
8	41321-MG9-000	COVER, GEAR CASE
9	41324-MG9-000	PLATE, DUST GUARD
10	41331-MG9-000	RETAINER, BEARING
11	41332-415-000	LOCK A, BEARING ADJ.



Catalog Title:
GL1200 '84 GL1200A '84,'85 GL1200I '84,'85 GL1200L '85

Block No.
F 18

Block Title:
FINAL DRIVEN GEAR

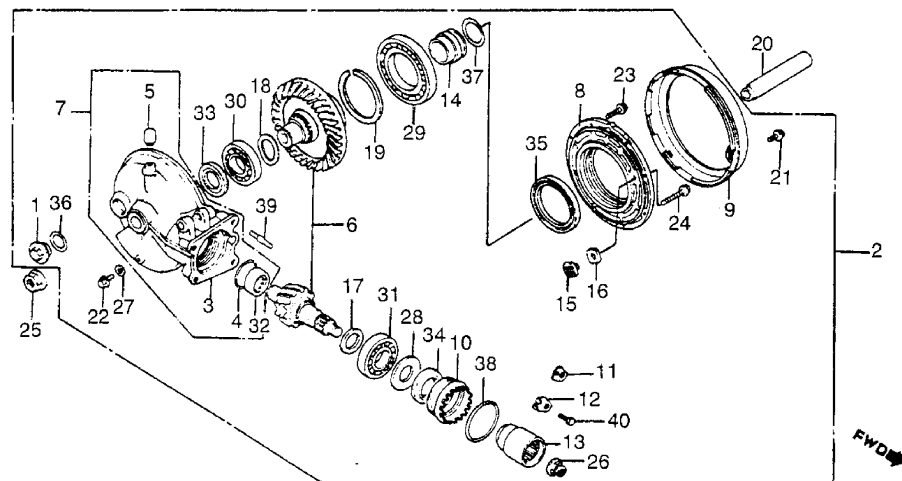


Ref. No.	Part No.	Description
12	41333-415-000	LOCK B, BEARING ADJ.
13	41410-MG9-000	JOINT, PINION
14	41433-MG9-000	HOLDER, O-RING
15	41436-MB0-310	PIN
16	41437-MB0-310	SHIM A (0.10)
16	41438-MB0-310	SHIM B (0.15)
17	41450-MG9-000	SHIM A (1.32)
17	41451-MG9-000	SHIM B (1.38)
17	41452-MG9-000	SHIM C (1.44)
17	41453-MG9-000	SHIM D (1.50)
17	41454-MG9-000	SHIM E (1.56)
17	41455-MG9-000	SHIM F (1.62)
17	41456-MG9-000	SHIM G (1.68)
18	41510-MB0-003	WASHER (35X40)
19	41530-MG9-000	SPACER A (1.82)
19	41531-MG9-000	SPACER B (1.88)
19	41532-MG9-000	SPACER C (1.94)
19	41533-MG9-000	SPACER D (2.00)
19	41534-MG9-000	SPACER E (2.06)
19	41535-MG9-000	SPACER F (2.12)
19	41536-MG9-000	SPACER G (2.18)
19	41537-MG9-000	SPACER H (2.24)
19	41538-MG9-000	SPACER I (2.30)
20	42625-MB4-000	COLLAR B, RR.
21	90013-883-000	BOLT, FLANGE (6X12)

Catalog Title:
GL1200 '84 GL1200A '84,'85 GL1200I '84,'85 GL1200L '85

Block No.
F 18

Block Title:
FINAL DRIVEN GEAR



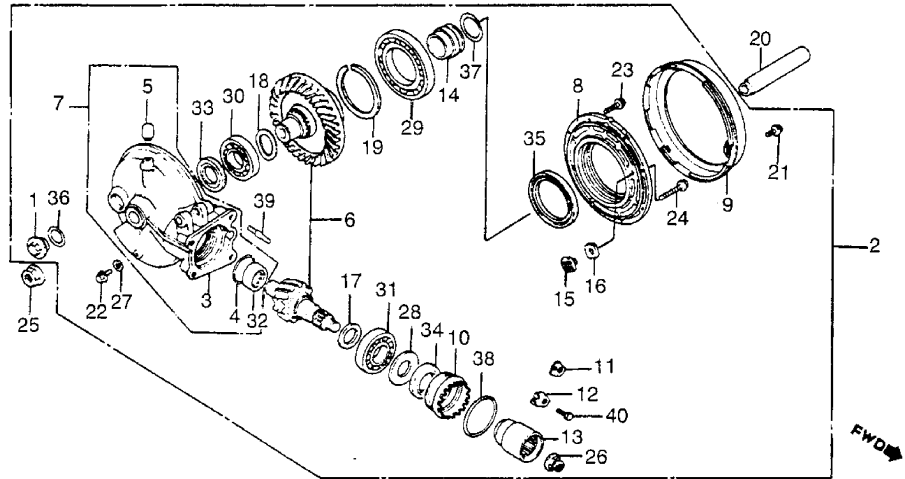
Ref. No.	Part No.	Description
22	90109-371-000	BOLT, SEALING (8MM)
23	90133-MB0-000	BOLT, FLANGE (8X27)
24	90134-371-000	BOLT, FLANGE (10X38)
25	90305-MB4-003	NUT, U (18MM)
26	90381-MB0-010	NUT, HEX. (16MM)
27	90471-580-000	GASKET (8MM)
28	90509-MG9-000	WASHER, STOPPER - ALL '84
29	91051-MG9-003	BEARING (16013) (C3)
29	91051-MN5-003	BEARING (65X100X11)
30	91052-MG9-003	BEARING (6007) (C3)
31	91061-MG9-004	BEARING (30X76X19)
31	91061-MN5-004	BEARING (30X76X19)
31	91061-MT3-003	BEARING (QJ3/28V1)
32	91062-MG9-003	BEARING (20X35X18) - ALL '84
32	91062-MG9-013	BEARING (20X35X18)
33	91261-MG9-003	OIL SEAL (35X54X8)
34	91262-MG9-003	OIL SEAL (39X56X7)
34	91262-MG9-004	OIL SEAL (39X56X7)
35	91265-MG9-003	OIL SEAL (65X85X7)
35	91265-MG9-004	OIL SEAL (65X85X7)
36	91302-001-020	O-RING (30.8MM)
37	91356-MG9-003	O-RING (39.5X2.4)
37	91356-MG9-004	O-RING (39.5X2.4)
38	91359-MG9-003	O-RING (64.5X3.5)
38	91359-MG9-004	O-RING (64.5X3.5)

Catalog Title:
GL1200 '84 GL1200A '84,'85 GL1200I '84,'85 GL1200L '85

Block No.
F 18

Block Title:
FINAL DRIVEN GEAR

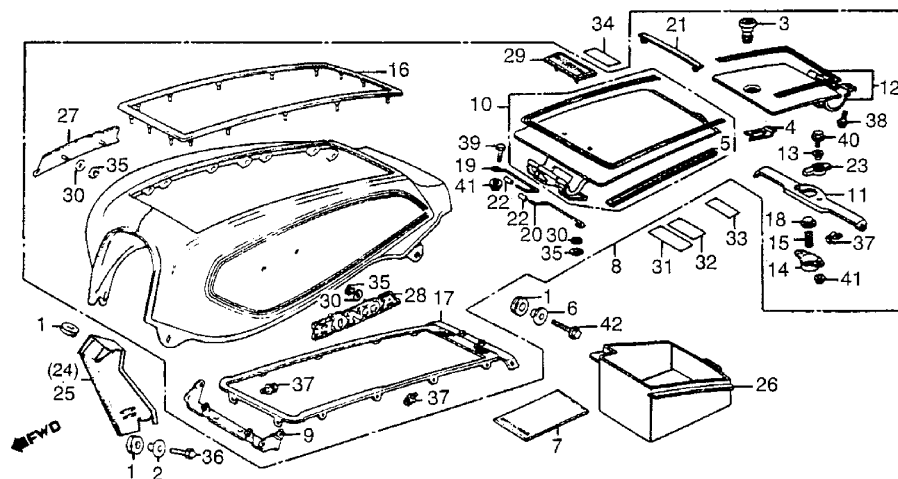
Ref. No.	Part No.	Description
39	91700-MG9-000	BOLT, STUD (8X42)
40	92000-06012	BOLT, HEX. (6X12)
40	92101-06012	BOLT, HEX. (6X12)
40	92101-06012-0A	BOLT, HEX. (6X12)



Catalog Title:
GL1200 '84 GL1200A '84,'85 GL1200I '84,'85 GL1200L '85

Block No.
F 19

Block Title:
SHELTER - 1200 '84

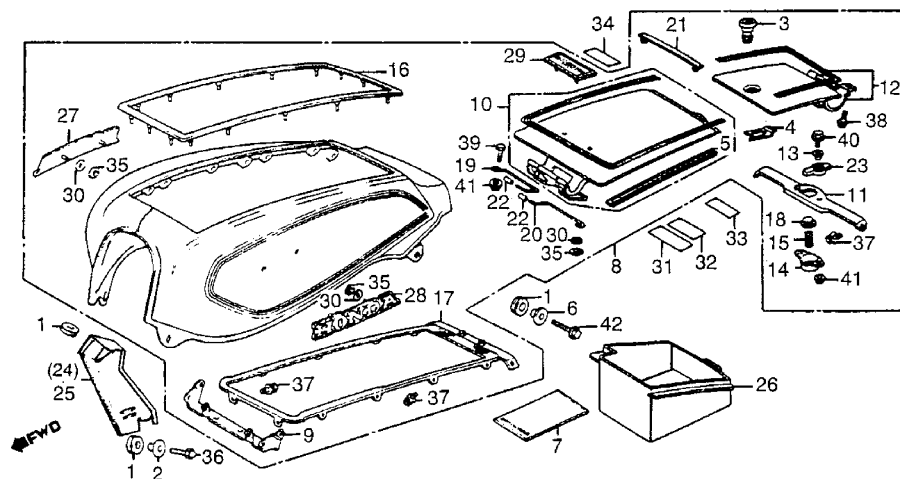


Ref. No.	Part No.	Description
1	17611-MB1-000	CUSHION, FR.
2	17612-MB1-000	COLLAR, FR.
3	37220-439-007	LOCK, FILLER LID
4	37222-463-000	SPRING
5	50432-MG9-300	SEAL, TOOL TRAY
6	61104-428-000	COLLAR, FR. FENDER
6	61105-428-000	COLLAR, RR. FENDER
7	77251-342-000	BAG, SERVICE BOOK
8	83100-MG9-000ZA	SHELTER *R114CU*
8	83100-MG9-000ZB	SHELTER ASSY. *NH1Z*
9	83111-MG9-000	FRAME A, SHELTER
10	83115-MG9-000ZA	SHELTER *R114CU*
10	83115-MG9-000ZC	SHELTER, TOP *NH1Z*
11	83116-MG9-000	FRAME B, SHELTER
12	83117-MG9-000ZA	LID *R114CU*
12	83117-MG9-000ZC	LID, SHELTER *NH1Z*
13	83119-MG9-000	COLLAR, LOCK SETTING
14	83123-463-000	HOLDER, SPRING
15	83124-463-000	SPRING, SHELTER LID
16	83127-MG9-000	WEATHERSTRIP
17	83130-MG9-000	DRIP, SHELTER
18	83135-463-000	COVER, SPRING
19	83137-463-000	SPRING A
20	83138-463-000	SPRING B
21	83139-MG9-000	RUBBER

Catalog Title:
GL1200 '84 GL1200A '84,'85 GL1200I '84,'85 GL1200L '85

Block No.
F 19

Block Title:
SHELTER - 1200 '84



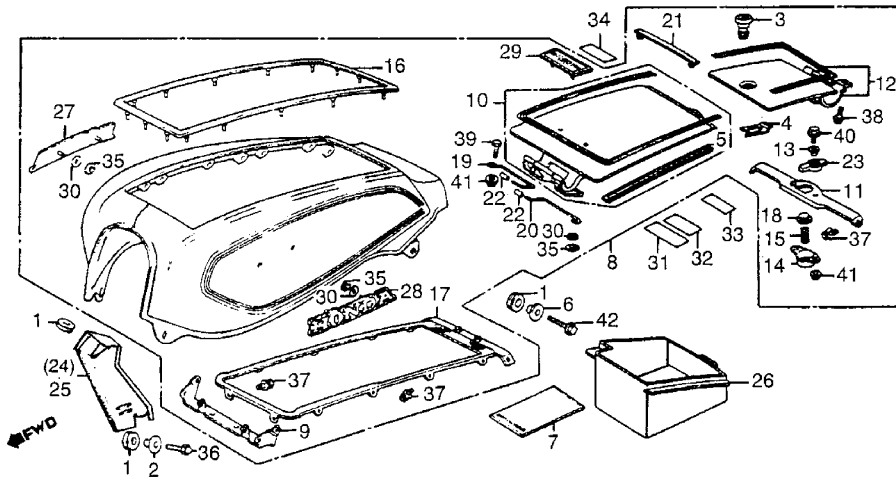
Ref. No.	Part No.	Description
22	83140-463-000	ROLLER
23	83141-MG9-000	LOCK, TOP SHELTER
24	83151-MG9-000	CVR, R. FR. SHELTER
25	83152-MG9-000	CVR, L. FR. SHELTER
26	83501-MG9-010	TRAY, TOOL
26	83501-ML8-700	TRAY, TOOL
27	87108-MB9-770	EMBLEM, R.
27	87121-MG9-000	EMBLEM, R.
28	87109-MB9-770	EMBLEM, L.
28	87122-MG9-000	EMBLEM, L.
29	87123-MG9-000	EMBLEM, TOP SHELTER
30	87411-538-910	RUBBER, RR.
31	87507-371-671	LABEL, RESERVE TANK
32	87508-415-670	MARK
33	87512-461-770	MARK
34	87560-181-760ZC	LABEL *A73* (TYPEG)
35	90313-567-000	NUT, SPEED (3MM)
36	92500-06022-0B	BOLT, CAP (6X22)
37	93401-06010-08	BOLT-WASHER (6X10)
37	93491-06010-08	BOLT-WASHER (6X10)
38	93401-06012-08	BOLT-WASHER (6X12)
38	93491-06012-08	BOLT-WASHER (6X12)
39	93401-06016-00	BOLT-WASHER (6X16)
39	93491-06016-00	BOLT-WASHER (6X16)
740	93401-06020-07	BOLT-WASHER (6X20)

Catalog Title:
GL1200 '84 GL1200A '84,'85 GL1200I '84,'85 GL1200L '85

Block No.
F 19

Block Title:
SHELTER - 1200 '84

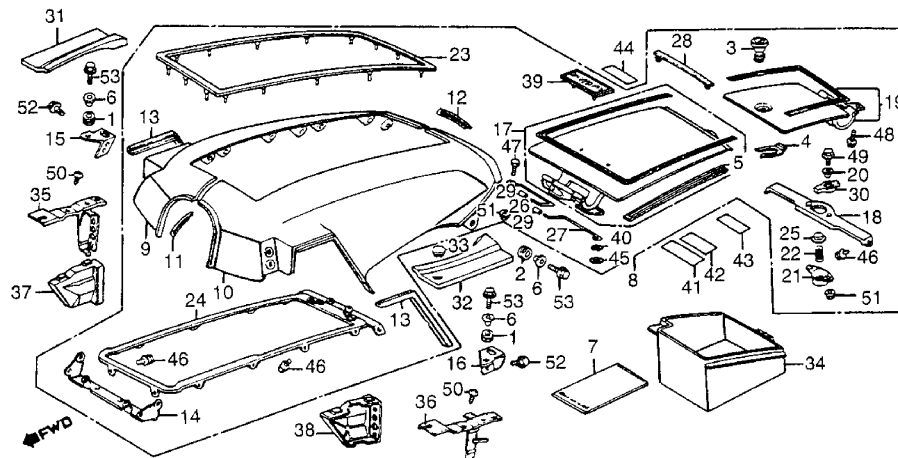
Ref. No.	Part No.	Description
40	93491-06020-07	BOLT-WASHER (6X20)
41	94050-06080	NUT, FLANGE (6MM)
42	95700-06022-00	BOLT, FLANGE (6X22)
42	95701-06022-00	BOLT, FLANGE (6X22)



Catalog Title:
GL1200 '84 GL1200A '84,'85 GL1200I '84,'85 GL1200L '85

Block No.
F 1901

Block Title:
SHELTER - 1200I/A '84-'85



Ref. No.	Part No.	Description
1	17245-107-000	RUBBER '84A '84i
1	17245-107-010	RUBBER
2	17611-MB1-000	CUSHION, FR.
3	37220-439-007	LOCK, FILLER LID
4	37222-463-000	SPRING
5	50432-MG9-300	SEAL, TOOL TRAY
6	61104-428-000	COLLAR, FR. FENDER
6	61105-428-000	COLLAR, RR. FENDER
7	77251-342-000	BAG, SERVICE BOOK
8	83100-MG9-870ZA	SHELTER *R128PA* '84A
8	83100-MG9-870ZB	SHELTER *YR123MU* '84A
8	83100-MG9-870ZC	SHELTER *PB123PA* '84A
8	83100-MG9-930ZA	SHELTER *R137PA* '85A
8	83100-MG9-930ZB	SHELTER *PB140M* '85A
8	83100-MG9-930ZC	SHELTER *YR125M* '85A
8	83100-MG9-770ZA	SHELTER *R114CU* '84i
8	83100-MG9-770ZB	SHELTER *PB123PA* '84i
8	83100-MG9-770ZC	SHELTER *NH136MU* '84i
8	83100-MG9-680ZA	SHELTER *R114CU* '85i
8	83100-MG9-680ZB	SHELTER *NH144M* '85i
8	83100-MG9-680ZC	SHELTER *PB142M* '85i
9	83101-MG9-770ZE	SHELTER *YR123MU* '84A
9	83101-MG9-770ZB	SHELTER *PB123PA* '84A '84i
9	83101-MG9-770ZH	SHELTER, R. *R137PA* '85A
9	83101-MG9-770ZJ	SHELTER, R. *YR125M* '85A

Catalog Title:

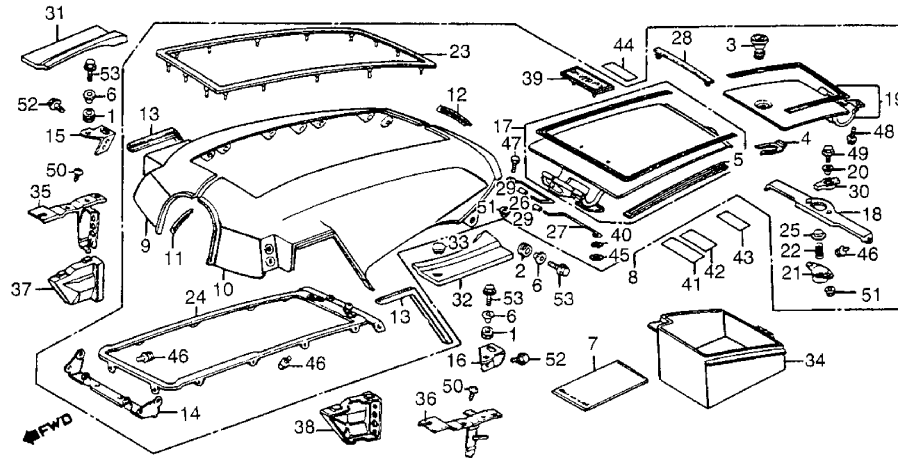
GL1200 '84 GL1200A '84,'85 GL1200I '84,'85 GL1200L '85

Block No.

F 1901

Block Title:

SHELTER - 1200I/A '84-'85

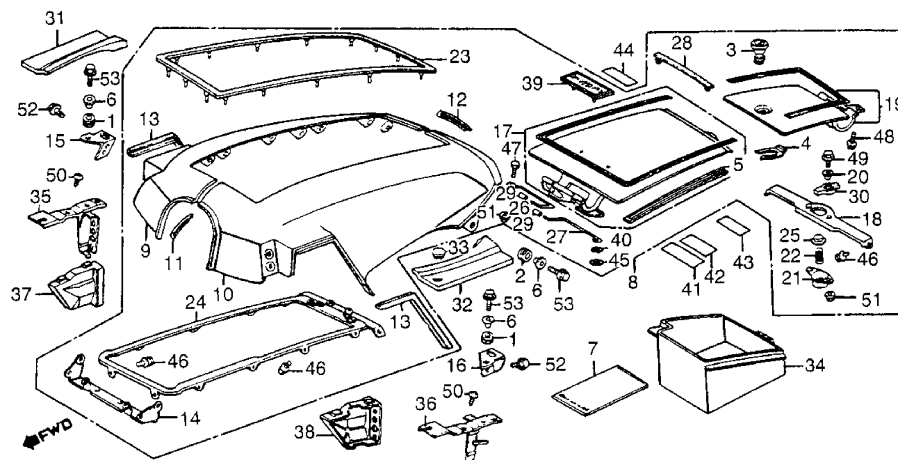


Ref. No.	Part No.	Description
9	83101-MG9-770ZL	SHELTER, R. *PB140M* '85A
9	83101-MG9-770ZC	SHELTER *NH136MU* '84i
9	83101-MG9-770ZA	SHELTER, R. *R114CU* '84i '85i
9	83101-MG9-770ZF	SHELTER, R. *NH144M* '85i
9	83101-MG9-770ZG	SHELTER, R. *PB142M* '85i
10	83102-MG9-770ZD	SHELTER, L. *R128PA* '84A
10	83102-MG9-770ZE	SHELTER *YR123MU* '84A
10	83102-MG9-770ZB	SHELTER *PB123PA* '84A '84i
10	83102-MG9-770ZH	SHELTER, L. *R137PA* '85A
10	83102-MG9-770ZJ	SHELTER, L. *YR125M* '85A
10	83102-MG9-770ZL	SHELTER, L. *PB140M* '85A
10	83102-MG9-770ZC	SHELTER *NH136MU* '84i
10	83102-MG9-770ZA	SHELTER, L. *R114CU* '84i '85i
10	83102-MG9-770ZF	SHELTER, L. *NH144M* '85i
10	83102-MG9-770ZG	SHELTER, L. *PB142M* '85i
11	83105-MG9-000	SPACER, FR. SHELTER
12	83106-MG9-000	SPACER, RR. SHELTER
13	83108-MG9-770	RUBBER, SHELTER SIDE
14	83111-MG9-770	FRAME A, SHELTER
15	83113-MG9-770	STAY, R. SHELTER
16	83114-MG9-770	STAY, L. SHELTER
17	83115-MG9-870ZA	SHELTER *R128PA* '84A
17	83115-MG9-870ZB	SHELTER *YR123MU* '84A
17	83115-MG9-870ZC	SHELTER *PB123PA* '84A
17	83115-MG9-930ZA	SHELTER *R137PA* '85A

Catalog Title:
GL1200 '84 GL1200A '84,'85 GL1200I '84,'85 GL1200L '85

Block No.
F 1901

Block Title:
SHELTER - 1200I/A '84-'85

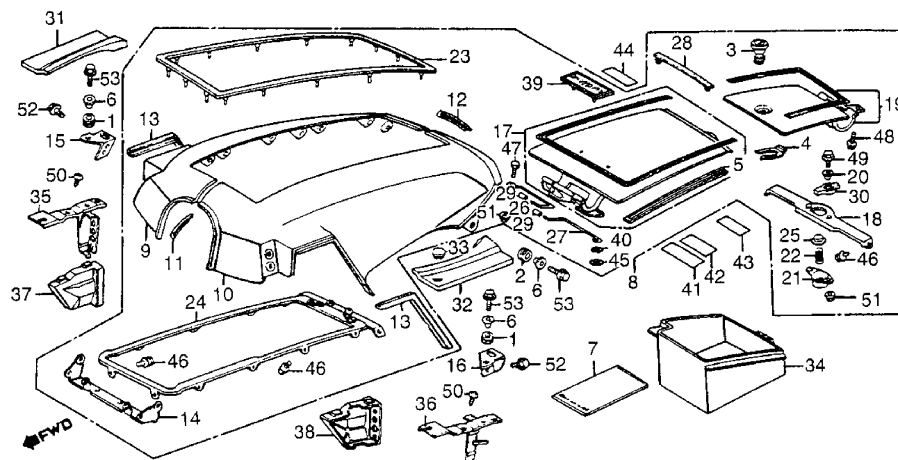


Ref. No.	Part No.	Description
17	83115-MG9-930ZB	SHELTER *PB140M* '85A
17	83115-MG9-930ZC	SHELTER *YR125M* '85A
17	83115-MG9-000ZA	SHELTER *R114CU* '84i
17	83115-MG9-000ZB	SHELTER *PB123PA* '84i
17	83115-MG9-000ZD	SHELTER *NH136MU* '84i
17	83115-MG9-680ZA	SHELTER *R114CU* '85i
17	83115-MG9-680ZB	SHELTER *NH144M* '85i
17	83115-MG9-680ZC	SHELTER *PB142M* '85i
18	83116-MG9-000	FRAME B, SHELTER
19	83117-MG9-870ZA	LID *R128PA* '84A
19	83117-MG9-870ZB	LID *YR123MU* '84A
19	83117-MG9-870ZC	LID *PB123PA* '84A
19	83117-MG9-930ZA	LID *R137PA* '85A
19	83117-MG9-930ZB	LID *PB140M* '85A
19	83117-MG9-930ZC	LID *YR125M* '85A
19	83117-MG9-000ZA	LID *R114CU* '84i
19	83117-MG9-000ZB	LID *PB123PA* '84i
19	83117-MG9-000ZD	LID *NH136MU* '84i
19	83117-MG9-680ZA	LID *R114CU* '85i
19	83117-MG9-680ZB	LID *NH144M* '85i
19	83117-MG9-680ZC	LID *PB142M* '85i
20	83119-MG9-000	COLLAR, LOCK SETTING
21	83123-463-000	HOLDER, SPRING
22	83124-463-000	SPRING, SHELTER LID
23	83127-MG9-000	WEATHERSTRIP

Catalog Title:
GL1200 '84 GL1200A '84,'85 GL1200I '84,'85 GL1200L '85

Block No.
F 1901

Block Title:
SHELTER - 1200I/A '84-'85

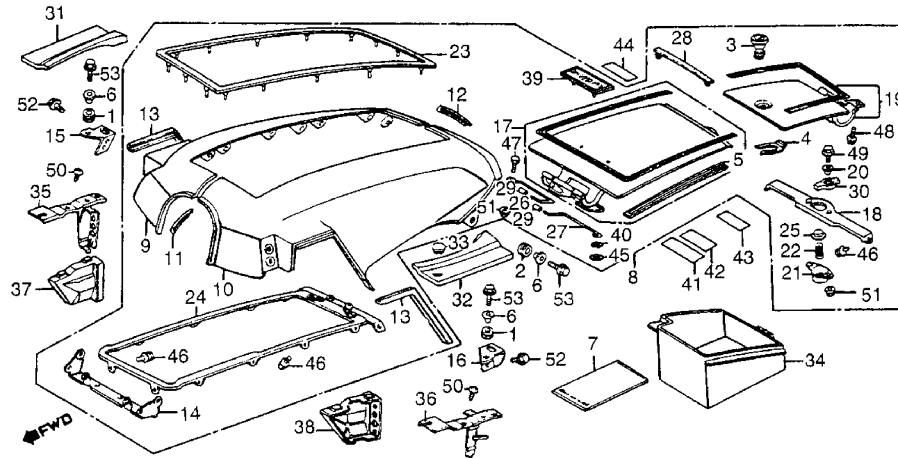


Ref. No.	Part No.	Description
24	83130-MG9-770	DRIP, SHELTER
25	83135-463-000	COVER, SPRING
26	83137-463-000	SPRING A
27	83138-463-000	SPRING B
28	83139-MG9-000	RUBBER
29	83140-463-000	ROLLER
30	83141-MG9-000	LOCK, TOP SHELTER
31	83171-MG9-770	UNAVAILABLE
31	83171-MG9-770ZC	BLIND, R. *NH105*
32	83172-MG9-770	UNAVAILABLE
32	83172-MG9-770ZC	BLIND, L. *NH105*
33	83173-MG9-770	UNAVAILABLE
33	83173-MG9-770ZC	CAP, BLIND *NH105*
34	83501-MG9-010	TRAY, TOOL
34	83501-ML8-700	TRAY, TOOL
35	83901-MG9-770	STAY, R. FR.
35	83901-MG9-950	STAY, R. FR. '85A '85i
36	83902-MG9-770	STAY, L. FR.
37	83910-MG9-770	COVER, R.
38	83911-MG9-770	COVER, L.
39	87123-MB9-950	EMBLEM, TOP SHELTER '84A '85A
39	87123-MB9-000	EMBLEM, TOP SHELTER '84i '85i
40	87411-538-910	RUBBER, RR.
41	87507-371-671	LABEL, RESERVE TANK '84A '85A

Catalog Title:
GL1200 '84 GL1200A '84,'85 GL1200I '84,'85 GL1200L '85

Block No.
F 1901

Block Title:
SHELTER - 1200I/A '84-'85

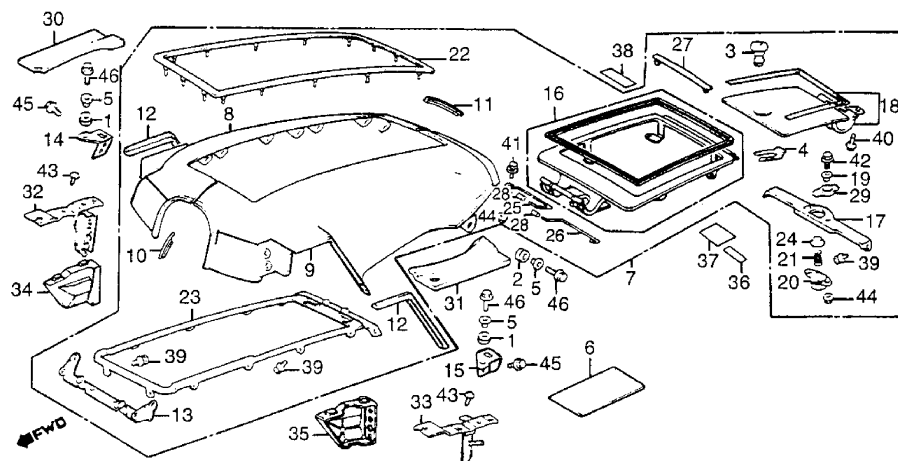


Ref. No.	Part No.	Description
41	87507-MB4-670	LABEL, RESERVE TANK '84i '85i
42	87508-415-670	MARK
43	87512-461-770	MARK
44	87560-181-760ZC	LABEL *A73* (TYPEG)
45	90313-567-000	NUT, SPEED (3MM)
46	93401-06010-08	BOLT-WASHER (6X10)
46	93491-06010-08	BOLT-WASHER (6X10)
47	93401-06012-00	BOLT-WASHER (6X12)
47	93491-06012-00	BOLT-WASHER (6X12)
48	93401-06016-00	BOLT-WASHER (6X16)
48	93491-06016-00	BOLT-WASHER (6X16)
49	93401-06020-07	BOLT-WASHER (6X20)
49	93491-06020-07	BOLT-WASHER (6X20)
50	93903-25280	SCREW, TAP (5X12)
51	94050-06080	NUT, FLANGE (6MM)
52	95700-06010-07	BOLT, FLANGE (6X10)
52	95701-06010-07	BOLT, FLANGE (6X10)
53	95700-06022-00	BOLT, FLANGE (6X22)
53	95701-06022-00	BOLT, FLANGE (6X22)

Catalog Title:
GL1200 '84 GL1200A '84,'85 GL1200I '84,'85 GL1200L '85

Block No.
F 1902

Block Title:
SHELTER - GL1200L '85



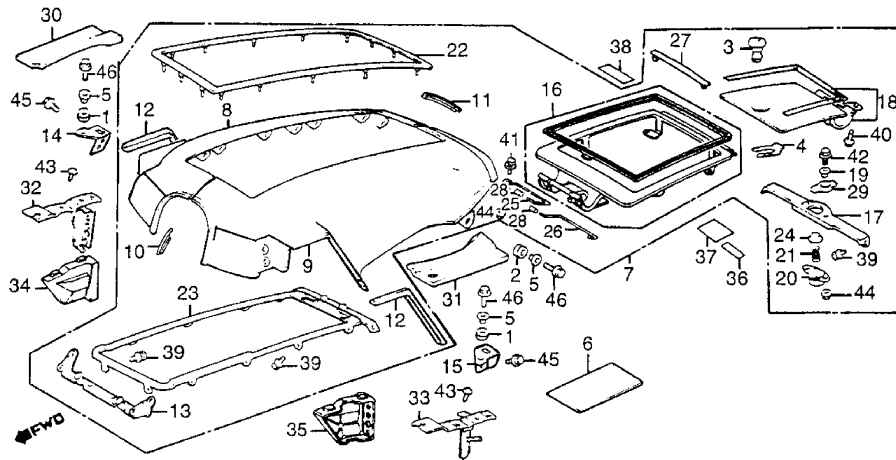
Ref. No.	Part No.	Description
1	17245-107-010	RUBBER
2	17611-MB1-000	CUSHION, FR.
3	37220-439-007	LOCK, FILLER LID
4	37222-463-000	SPRING
5	61104-428-000	COLLAR, FR. FENDER
5	61105-428-000	COLLAR, RR. FENDER
6	77251-342-000	BAG, SERVICE BOOK
7	83100-MG9-950ZA	SHELTER *YR126M*
8	83101-MG9-950ZA	SHELTER, R. *YR126M*
9	83102-MG9-950ZA	SHELTER, L. *YR126M*
10	83105-MG9-000	SPACER, FR. SHELTER
11	83106-MG9-000	SPACER, RR. SHELTER
12	83108-MG9-770	RUBBER, SHELTER SIDE
13	83111-MG9-950	FRAME A, SHELTER
14	83113-MG9-770	STAY, R. SHELTER
15	83114-MG9-770	STAY, L. SHELTER
16	83115-MG9-950	SHELTER COMP., TOP
17	83116-MG9-000	FRAME B, SHELTER
18	83117-MG9-950ZA	LID *YR126M*
19	83119-MG9-000	COLLAR, LOCK SETTING
20	83123-463-000	HOLDER, SPRING
21	83124-463-000	SPRING, SHELTER LID
22	83127-MG9-000	WEATHERSTRIP
23	83130-MG9-950	DRIP, SHELTER
24	83135-463-000	COVER, SPRING

Catalog Title:
GL1200 '84 GL1200A '84,'85 GL1200I '84,'85 GL1200L '85

Block No.
F 1902

Block Title:
SHELTER - GL1200L '85

Ref. No.	Part No.	Description
25	83137-463-000	SPRING A
26	83138-463-000	SPRING B
27	83139-MG9-000	RUBBER
28	83140-463-000	ROLLER
29	83141-MG9-000	LOCK, TOP SHELTER
30	83171-MG9-770ZA	BLIND *R58L* (TYPE1)
30	83171-MG9-950	BLIND *R58L* (TYPE1)
31	83172-MG9-770ZA	BLIND *R58L* (TYPE1)
31	83172-MG9-950	BLIND *R58L* (TYPE1)
32	83901-MG9-950	STAY, R. FR.
33	83902-MG9-950	STAY, L. FR.
34	83910-MG9-950	COVER, R.
35	83911-MG9-770	COVER, L.
36	87508-415-670	MARK
37	87512-461-770	MARK
38	87560-181-760	MARK (TYPEB)
38	87560-181-760ZD	LABEL *NH1*
38	87560-181-760ZE	MARK (TYPEB)
39	93401-06010-08	BOLT-WASHER (6X10)
39	93491-06010-08	BOLT-WASHER (6X10)
40	93401-06012-00	BOLT-WASHER (6X12)
40	93491-06012-00	BOLT-WASHER (6X12)
41	93401-06016-00	BOLT-WASHER (6X16)
41	93491-06016-00	BOLT-WASHER (6X16)
42	93401-06020-07	BOLT-WASHER (6X20)

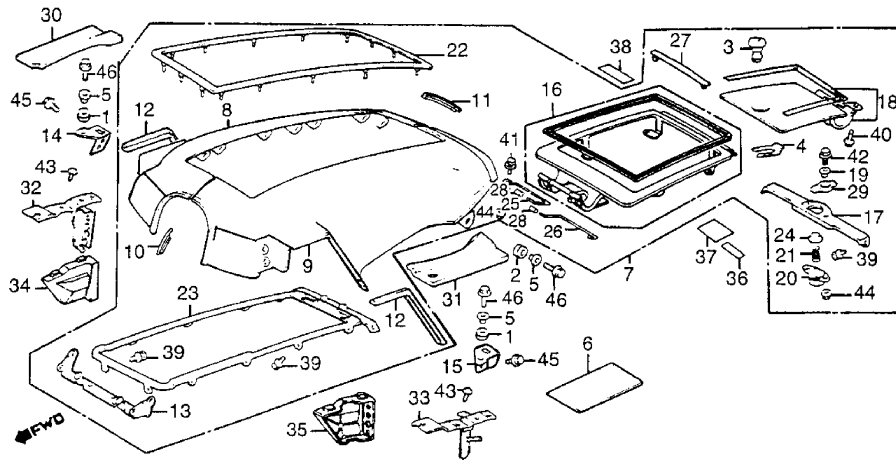


Catalog Title:
GL1200 '84 GL1200A '84,'85 GL1200I '84,'85 GL1200L '85

Block No.
F 1902

Block Title:
SHELTER - GL1200L '85

Ref. No.	Part No.	Description
42	93491-06020-07	BOLT-WASHER (6X20)
43	93903-25280	SCREW, TAP (5X12)
44	94050-06080	NUT, FLANGE (6MM)
45	95700-06010-07	BOLT, FLANGE (6X10)
45	95701-06010-07	BOLT, FLANGE (6X10)
46	95700-06022-00	BOLT, FLANGE (6X22)
46	95701-06022-00	BOLT, FLANGE (6X22)



Catalog Title:

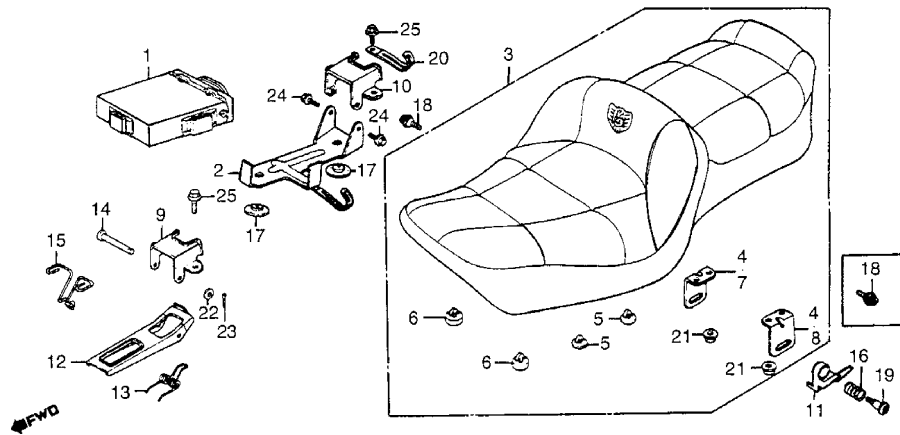
GL1200 '84 GL1200A '84,'85 GL1200I '84,'85 GL1200L '85

Block No.

F 20

Block Title:

SEAT



Ref. No.	Part No.	Description
1	36700-MG9-951	CONTROLLER '85L
1	36700-ML8-751	CONTROLLER '85L
2	36710-MG9-950	PLATE '85L
3	77200-MG9-000	SEAT COMP. '84
3	77200-MG9-870ZB	SEAT *YR87L* (TYPE2) '84A
3	77200-MG9-870ZA	SEAT *R51L* (TYPE1) '84A '84i
3	77200-MG9-930ZA	SEAT COMP. *R58L* '85A
3	77200-MG9-930ZB	SEAT *YR87L* (TYPE2) '85A
3	77200-MG9-930ZC	SEAT *NH81L* (TYPE3) '85A
3	77200-MG9-770ZA	SEAT *R51L* (TYPE1) '84i
3	77200-MG9-770ZB	SEAT *NH81L* (TYPE2) '84i
3	77200-MG9-870ZC	SEAT *NH81L* (TYPE2) '84i
3	77200-MG9-680ZA	SEAT *R58L* (TYPE1) '85i
3	77200-MG9-680ZC	SEAT *NH81L* (TYPE3) '85i
3	77200-MG9-950	SEAT COMP. '85L
4	77202-MG9-000	STAY, RR. - ALL '84
5	77203-MG9-000	CLIP A
6	77203-MG9-870	CLIP B '84A '85A '85L
7	77206-MG9-680	STAY, R. RR. SEAT - ALL '85
8	77207-MG9-680	STAY, L. RR. SEAT - ALL '85
9	77231-MG9-000	STAY, SEAT (UPPER) '84 '84A '85A '84i '85i
10	77231-MG9-950	STAY, SEAT (UPPER) '85L
11	77231-463-740	LEVER - ALL '85
12	77232-MG9-000	LEVER - ALL '84
13	77233-MG9-000	SPRING - ALL '84

Catalog Title:

GL1200 '84 GL1200A '84,'85 GL1200I '84,'85 GL1200L '85

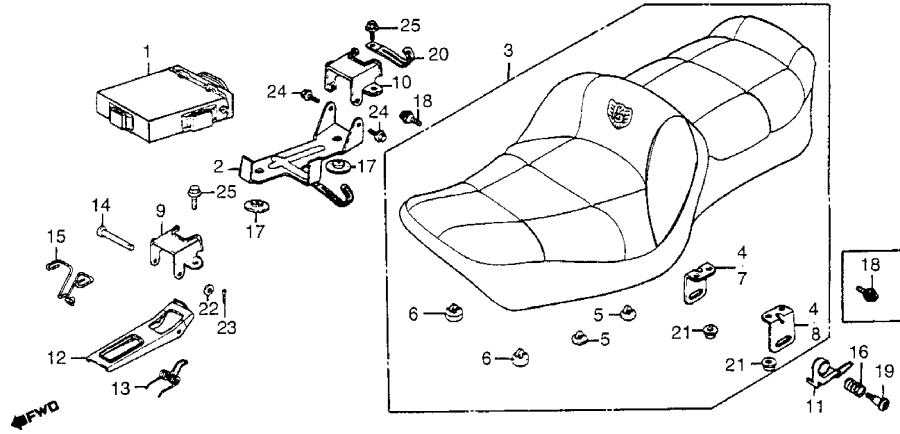
Block No.

F 20

Block Title:

SEAT

Ref. No.	Part No.	Description
14	77234-MG9-000	PIN, SEAT ADJUSTING - ALL '84
15	77235-MG9-000	SPRING, SEAT LOCK - ALL '84
16	77235-463-740	SPRING - ALL '85
17	83618-323-000	RUBBER, BATTERY BOX '85L
18	90118-MG9-000	BOLT ASSY., SOCKET - ALL '84
19	90119-463-740	BOLT, SEAT ADJUSTING - ALL '85
20	91406-671-000	CLIP, WIRE HARNESS '85L
21	94050-06080	NUT, FLANGE (6MM)
22	94101-06000	WASHER, PLAIN (6MM) - ALL '84
22	94101-06800	WASHER, PLAIN (6MM) - ALL '84
23	94201-16120	PIN, SPLIT (1.6X12) - ALL '84
24	95700-06010-08	BOLT, FLANGE (6X10) '85L
24	95701-06010-08	BOLT, FLANGE (6X10) '85L
25	95700-06012-00	BOLT, FLANGE (6X12)
25	95701-06012-00	BOLT, FLANGE (6X12)



Catalog Title:

GL1200 '84 GL1200A '84,'85 GL1200I '84,'85 GL1200L '85

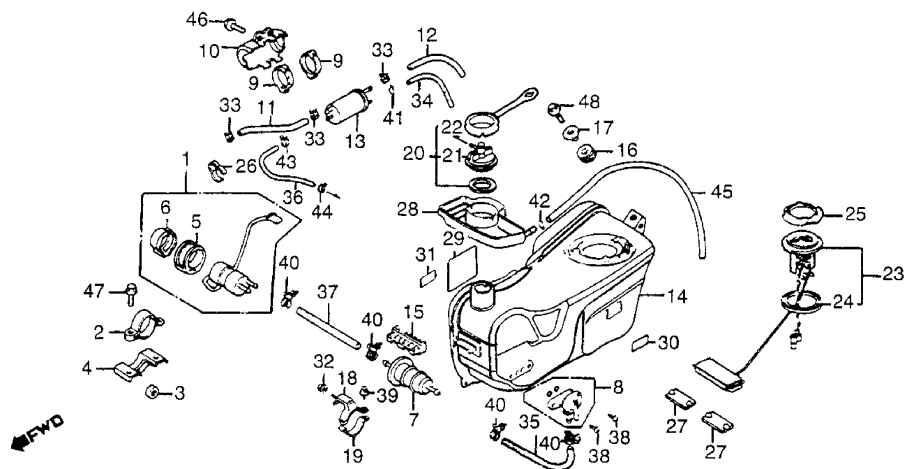
Block No.

F 21

Block Title:

FUEL TANK - 1200I/A '84-'85

Ref. No.	Part No.	Description
13	17310-GE1-871	CANISTER ASSY.
13	17310-MG9-641	CANISTER ASSY.
14	17510-MG9-010	TANK COMP., FUEL
14	17510-ML8-000	TANK COMP., FUEL
14	17510-MG9-000	TANK COMP., FUEL '85A '85i
14	17510-MG9-680	TANK COMP., FUEL '84A '85i
15	17615-MG9-000	RUBBER B
16	17616-371-000	RUBBER C
17	17618-371-000	COLLAR, TANK SET
18	17626-MG9-000	STAY A, STRAINER
19	17628-371-000	STAY B, STRAINER
20	17660-MG9-000	CAP, FUEL FILLER
20	17660-MG9-640	CAP, FUEL FILLER
21	17670-MG9-003	CAP, FUEL FILLER '84 '84A '85A '84i
21	17670-MG9-641	CAP, FUEL FILLER '84 '84A '85A '84i
22	17671-463-000	RING
23	37800-MG9-008	METER UNIT, FUEL '84 '84A
23	37800-MG9-771	METER UNIT, FUEL '84 '84i
23	37800-MG9-742	METER UNIT, FUEL '85A '85i



Catalog Title:

GL1200 '84 GL1200A '84,'85 GL1200I '84,'85 GL1200L '85

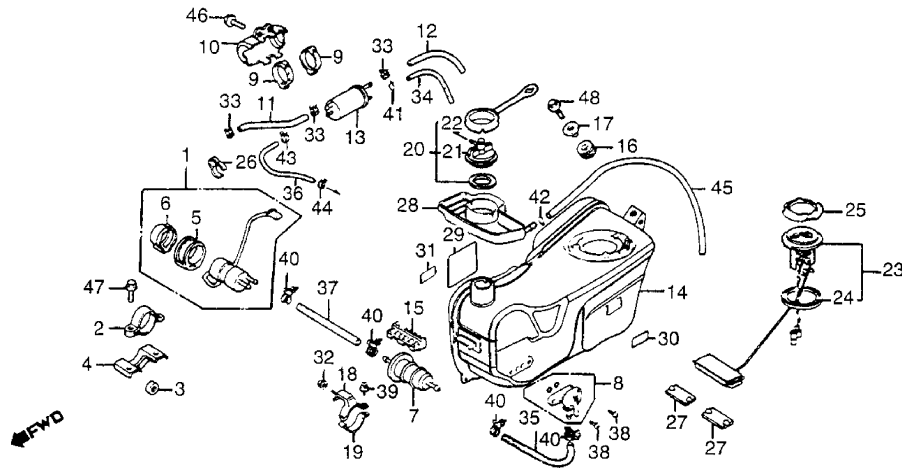
Block No.

F 21

Block Title:

FUEL TANK - 1200I/A '84-'85

Ref. No.	Part No.	Description
24	37801-689-000	GASKET, BASE
25	37802-371-000	RETAINER, FUEL UNIT
26	61108-MB0-000	CLAMP
27	77204-312-000	RUBBER, SEAT SETTING
28	83502-MG9-000	BOX, FUEL TANK
29	87135-MG9-640	DIAGRAM '84 '84A '84i
29	87135-MG9-740	DIAGRAM '85A '85i
30	87506-463-740	MARK - ALL '84
30	87506-MG9-680	MARK '85A '85i
30	87506-MG9-681	MARK '85A '85i
31	87518-MB9-780	LABEL, RR. '84
31	87518-MG9-770	LABEL, RR. '84A '84i '85i
32	90117-371-003	NUT, FLANGE (5MM)
32	94050-05000	NUT, FLANGE (5MM)
33	90682-SA0-671	CLAMP, CANISTER HOSE
34	91454-MG9-640	TUBE, CANISTER DRAIN - ALL '84
34	91454-MG9-740	TUBE, CANISTER DRAIN '85A '85i
35	91455-MG9-000	HOSE, FUEL (5.5X170)
35	95001-55185-20	TUBE (5.5X185)
36	91455-MG9-640	HOSE, FUEL (4.5X400)
37	91456-MG9-000	HOSE, FUEL (5.5X110)

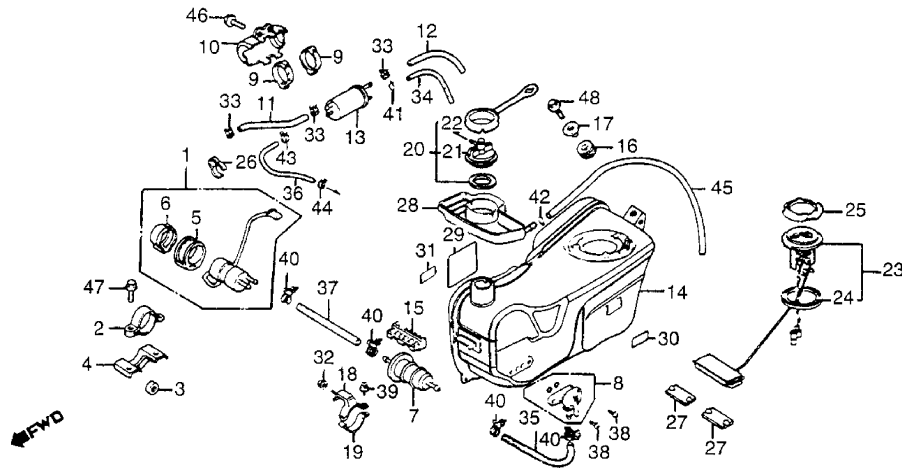


Catalog Title:
GL1200 '84 GL1200A '84,'85 GL1200I '84,'85 GL1200L '85

Block No.
F 21

Block Title:
FUEL TANK - 1200I/A '84-'85

Ref. No.	Part No.	Description
38	93500-06012	SCREW, PAN (6X12)
38	93500-06012-0A	SCREW, PAN (6X12)
38	93500-06012-00	SCREW, PAN (6X12)
39	93893-05012-00	SCREW-WASHER (5X12)
40	95002-01120	CLIP A12, TUBE
41	95002-02080	CLIP, TUBE (B8)
42	95002-02120	CLIP, TUBE (B12)
43	95002-40850-08	CLIP, TUBE (D8.5)
44	95002-50000	CLIP, TUBE (C9)
45	95003-23008-60M	BULK HOSE, VINYL
45	95003-23001-60M	UNAVAILABLE
46	95700-06010-00	BOLT, FLANGE (6X10)
46	95701-06010-00	BOLT, FLANGE (6X10)

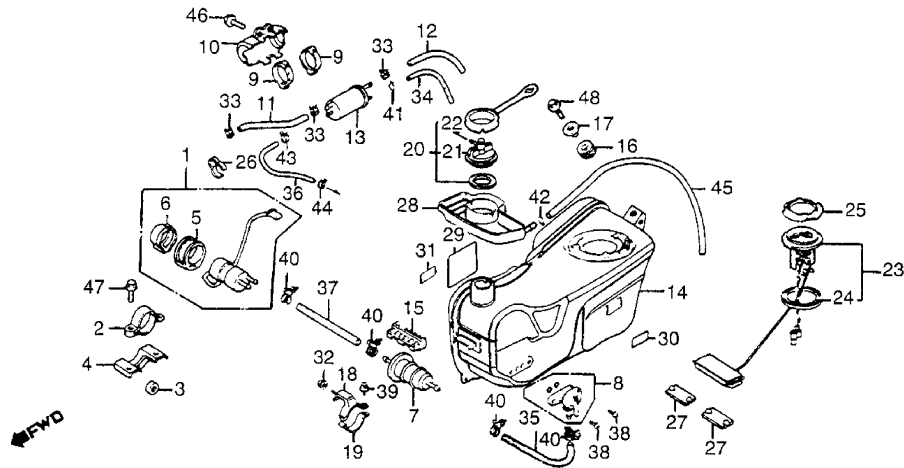


Catalog Title:
GL1200 '84 GL1200A '84,'85 GL1200I '84,'85 GL1200L '85

Block No.
F 21

Block Title:
FUEL TANK - 1200I/A '84-'85

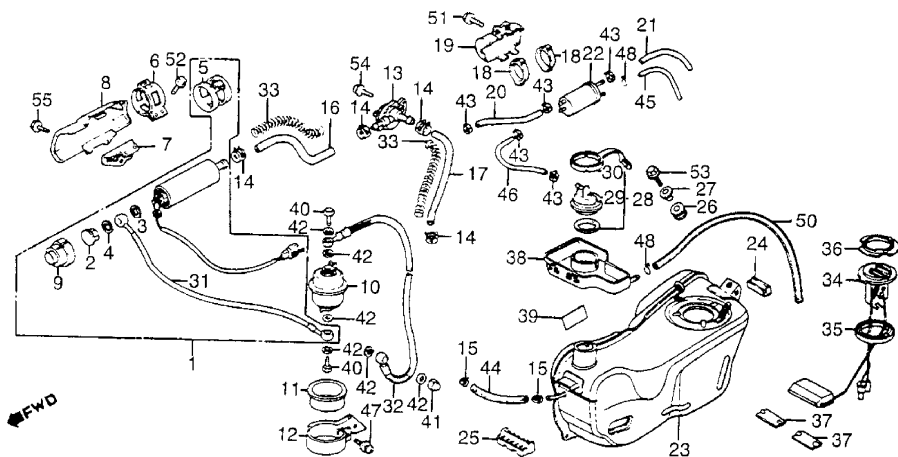
Ref. No.	Part No.	Description
46	95701-06010-00	BOLT, FLANGE (6X10)
47	95700-06020-00	BOLT, FLANGE (6X20)
47	95701-06020-00	BOLT, FLANGE (6X20)
48	95700-08028-08	BOLT, FLANGE (8X28)
48	95701-08028-08	BOLT, FLANGE (8X28)



Catalog Title:
GL1200 '84 GL1200A '84,'85 GL1200I '84,'85 GL1200L '85

Block No.
F 2101

Block Title:
FUEL TANK - GL1200L '85

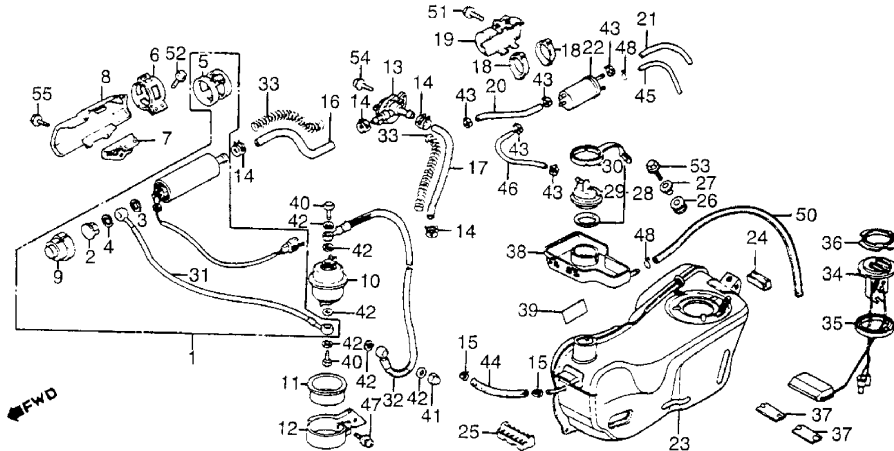


Ref. No.	Part No.	Description
1	16700-MG9-951	PUMP ASSY., FUEL
1	16700-MG9-952	PUMP ASSY., FUEL
1	16700-ML8-751	PUMP ASSY., FUEL
2	16701-MG9-951	NUT, FUEL PUMP
3	16702-MC7-003	WASHER, PUMP
4	16703-MC7-003	GASKET, MUFFLER
4	16705-PD1-003	GASKET, MUFFLER
5	16715-MG9-950	RUBBER, FUEL PUMP
6	16716-MG9-950	BAND, FUEL PUMP
7	16717-MG9-950	STAY, FUEL PUMP
8	16718-MG9-950	PROTECTOR, FUEL PUMP
9	16719-MG9-951	CAP, FUEL PUMP
10	16900-MG9-951	FILTER COMP., FUEL
11	16901-MG9-950	BAND, STRAINER
12	16902-MG9-950	STAY, FUEL STRAINER
13	16950-MG9-951	PETCOCK ASSY.
14	16968-MC7-000	CLIP B, FUEL HOSE
15	16969-MC7-000	CLIP, FUEL HOSE
16	16970-MG9-950	HOSE, FUEL
17	16971-MG9-950	HOSE, FUEL
18	17303-MG9-640	BAND
18	17310-GE1-871	CANISTER ASSY.
19	17305-MG9-640	COVER, CANISTER
20	17307-MG9-640	TUBE
21	17309-MG9-640	TUBE, BREATHER

Catalog Title:
GL1200 '84 GL1200A '84,'85 GL1200I '84,'85 GL1200L '85

Block No.
F 2101

Block Title:
FUEL TANK - GL1200L '85

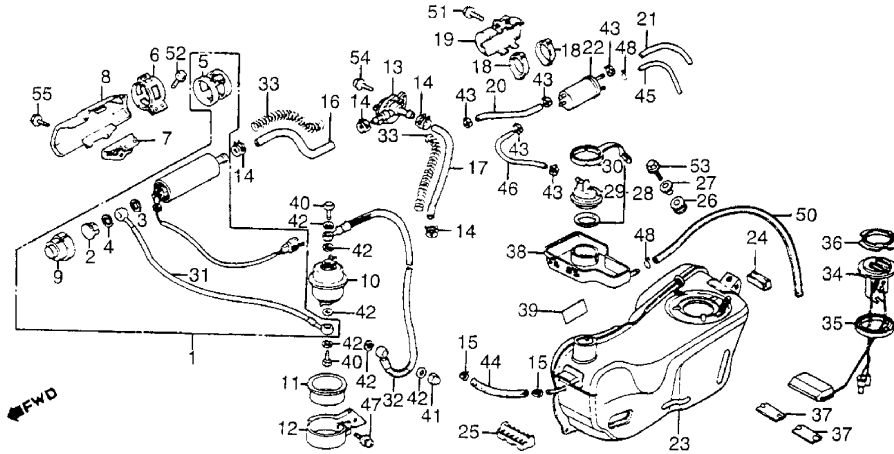


Ref. No.	Part No.	Description
21	17309-ML8-790	TUBE, AIR BREATHER
22	17303-MG9-640	BAND
22	17310-GE1-871	CANISTER ASSY.
22	17310-MG9-641	CANISTER ASSY.
23	17510-MG9-950	TANK COMP., FUEL
23	17510-ML8-750	TANK COMP., FUEL
24	17516-MB2-000	RUBBER
25	17615-MG9-000	RUBBER B
26	17616-371-000	RUBBER C
27	17618-371-000	COLLAR, TANK SET
28	17660-MG9-000	CAP, FUEL FILLER
28	17660-MG9-640	CAP, FUEL FILLER
29	17670-MG9-003	CAP, FUEL FILLER
29	17670-MG9-641	CAP, FUEL FILLER
30	17671-463-000	RING
31	17965-MG9-952	HOSE ASSY., FUEL
32	17966-MG9-951	HOSE ASSY., FUEL
33	19512-GJ1-010	GUARD, WIRE
34	37800-MG9-952	METER UNIT, FUEL
35	37801-689-000	GASKET, BASE
36	37802-371-000	RETAINER, FUEL UNIT
37	77204-312-000	RUBBER, SEAT SETTING
38	83502-MG9-950	BOX, FUEL TANK
39	87135-MG9-820	DIAGRAM
40	90020-MG9-950	BOLT, SEALING (12MM)

Catalog Title:
GL1200 '84 GL1200A '84,'85 GL1200I '84,'85 GL1200L '85

Block No.
F 2101

Block Title:
FUEL TANK - GL1200L '85



Ref. No.	Part No.	Description
41	90201-MG9-950	NUT, SEALING (12MM)
42	90428-PD1-003	WASHER (12MM)
42	90428-PD6-003	WASHER (12MM)
43	90682-SA0-671	CLAMP, CANISTER HOSE
44	91453-MG9-950	HOSE, FUEL RETURN
45	91454-MG9-740	TUBE, CANISTER DRAIN
46	91455-MG9-640	HOSE, FUEL (4.5X400)
47	93403-06016-07	BOLT-WASHER (6X16)
47	93493-06016-07	BOLT-WASHER (6X16)
48	95002-02080	CLIP, TUBE (B8)
49	95002-02120	CLIP, TUBE (B12)
50	95003-23008-60M	BULK HOSE, VINYL
50	95003-23001-60M	UNAVAILABLE
51	95700-06010-00	BOLT, FLANGE (6X10)
51	95701-06010-00	BOLT, FLANGE (6X10)
52	95700-06020-00	BOLT, FLANGE (6X20)
52	95701-06020-00	BOLT, FLANGE (6X20)
53	95700-08028-08	BOLT, FLANGE (8X28)
53	95701-08028-08	BOLT, FLANGE (8X28)
54	95900-06014-00	BOLT, FLANGE (6X14)
55	96000-06012-02	BOLT, FLANGE (6X12)
55	96001-06012-02	BOLT, FLANGE (6X12)

Catalog Title:

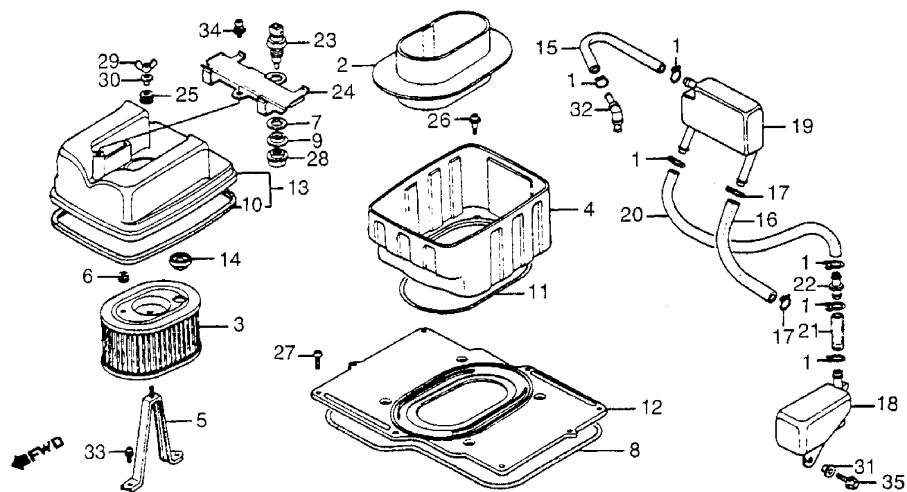
GL1200 '84 GL1200A '84,'85 GL1200I '84,'85 GL1200L '85

Block No.

F 22

Block Title:

AIR CLEANER



Ref. No.	Part No.	Description
1	15772-500-010	CLIP, BREATHER TUBE
1	15772-500-013	CLIP, BREATHER TUBE
2	17210-MG9-950	DUCT, AIR CLEANER '85L
3	17211-MG9-000	ELEMENT, AIR CLEANER '84 '84A '85A '84I '85i
3	17211-MG9-950	ELEMENT, AIR CLEANER '85L
4	17212-MG9-000	HOUSING, AIR CLEANER
4	17212-MG9-950	HOUSING, AIR CLEANER
5	17214-MG9-000	STAY, A/CLNR HSING
6	17216-MG9-950	GROMMET '85L
7	17217-MG9-950	RUBBER '85L
8	17219-MG9-000	GASKET
9	17219-MG9-950	COLLAR
10	17219-463-300	GASKET
11	17221-MG9-000	SEAL
11	17222-MN4-405	SEAL
12	17231-MG9-000	COVER B, AIR CLEANER - ALL '84
12	17231-MG9-951	COVER B, AIR CLEANER
13	17232-MG9-000	COVER, AIR CLEANER - ALL '84
13	17232-MG9-680	COVER, AIR CLEANER
13	17232-MG9-950	COVER, AIR CLEANER '85L
14	17241-MG9-000	GROMMET - ALL '84
14	17241-MG9-700	GROMMET - ALL '85
15	17276-MG9-000	TUBE, BREATHER - ALL '84
15	17276-MG9-700	TUBE, BREATHER - ALL '85
16	17279-MG9-000	TUBE B, BREATHER

Catalog Title:

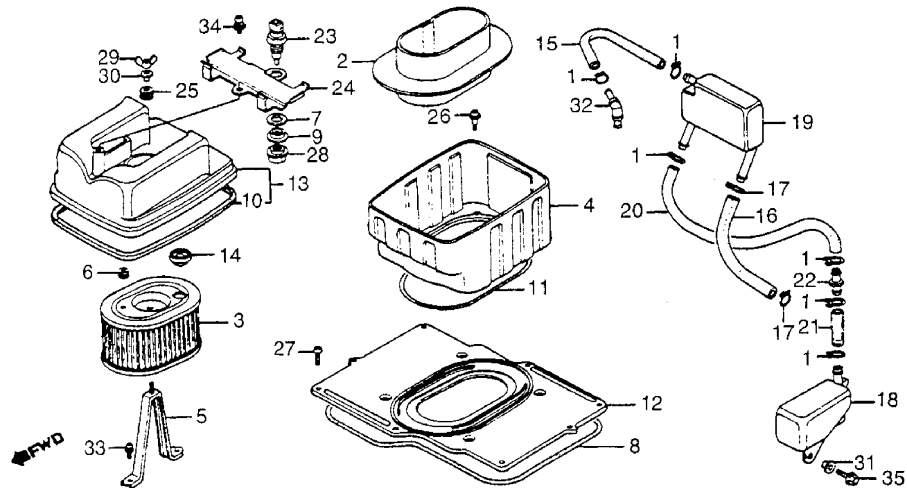
GL1200 '84 GL1200A '84,'85 GL1200I '84,'85 GL1200L '85

Block No.

F 22

Block Title:

AIR CLEANER



Ref. No.	Part No.	Description
17	17316-611-000	CLIP, BREATHER TUBE
18	17551-MG9-000	TANK, STORAGE - ALL '84
18	17551-MG9-680	TANK, STORAGE - ALL '85
19	17552-MG9-000	TANK, BREATHER '85I/A
19	17552-MG9-700	TANK, BREATHER '85L
19	17552-MG9-950	TANK, BREATHER
20	17553-MG9-000	TUBE, BREATHER
20	17553-MG9-950	TUBE, BREATHER '85L
21	17554-MG9-000	TUBE, BREATHER
22	17555-MG9-000	JOINT, BREATHER TUBE
23	36152-MC7-003	SENSOR '85L
24	38105-MG9-950	PLATE '85L
25	80105-MG9-000	RUBBER, AIR CLEANER
26	90105-MG9-000	SCREW, PAN (5X17)
27	90141-MB0-000	SCREW, PAN (4X15)
28	90308-MG9-950	NUT '85L
29	90325-044-000	WINGNUT
30	90501-124-000	WASHER, FR.
31	90556-044-000	WASHER, FR.
32	91463-MG9-000	JOINT, TUBE - ALL '84
32	91463-MG9-700	JOINT, TUBE '85 MODELS
33	93891-05010-08	SCREW-WASHER (5X10)
34	93891-06012-08	SCREW-WASHER (6X12) '85L
35	95700-06014-00	BOLT, FLANGE (6X14)
35	95701-06014-00	BOLT, FLANGE (6X14)

Catalog Title:

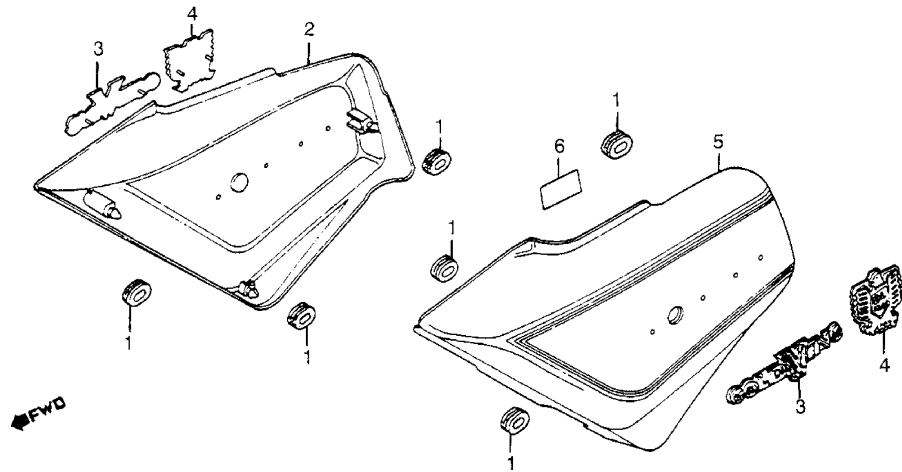
GL1200 '84 GL1200A '84,'85 GL1200I '84,'85 GL1200L '85

Block No.

F 23

Block Title:

SIDE COVER



Ref. No.	Part No.	Description
1	83551-300-000	GROMMET
2	83600-MG9-000ZC	CVR, R. SIDE *NH1Z* '84
2	83600-MG9-000ZA	COVER, R. *R114CU* '84 '84i
2	83600-MG9-870ZA	COVER, R. *R128PA* '84A
2	83600-MG9-870ZB	COVER, R. *YR123MU* '84A
2	83600-MG9-870ZC	COVER, R. *PB123PA* '84A
2	83600-MG9-930ZA	COVER, R. *R137PA* '85A
2	83600-MG9-930ZB	COVER, R. *PB140M* '85A
2	83600-MG9-930ZC	COVER, R. *YR125M* '85A
2	83600-MG9-000ZB	COVER, R. *PB123PA* '84I
2	83600-MG9-000ZD	COVER, R. *NH136MU* '84I
2	83600-MG9-680ZA	COVER, R. *R114CU* '85i
2	83600-MG9-680ZB	COVER, R. *NH144M* '85i
2	83600-MG9-680ZC	COVER, R. *PB142M* '85i
2	83600-MG9-950ZA	COVER, R. *YR126M* '85L
3	83605-MG9-000	EMBLEM A, SIDE COVER
4	83606-MG9-000	EMBLEM B, SIDE COVER
5	83700-MG9-000ZC	CVR, L. SIDE *NH1Z* '84
5	83700-MG9-000ZA	COVER, L. *R114CU* '84, '84i
5	83700-MG9-870ZA	COVER, L. *R128PA* '84A
5	83700-MG9-870ZB	COVER, L. *YR123MU* '84A
5	83700-MG9-870ZC	COVER, L. *PB123PA* '84A
5	83700-MG9-930ZA	COVER, L. *R137PA* '85A
5	83700-MG9-930ZB	COVER, L. *PB140M* '85A
5	83700-MG9-930ZC	COVER, L. *YR125M* '85A

Catalog Title:

GL1200 '84 GL1200A '84,'85 GL1200I '84,'85 GL1200L '85

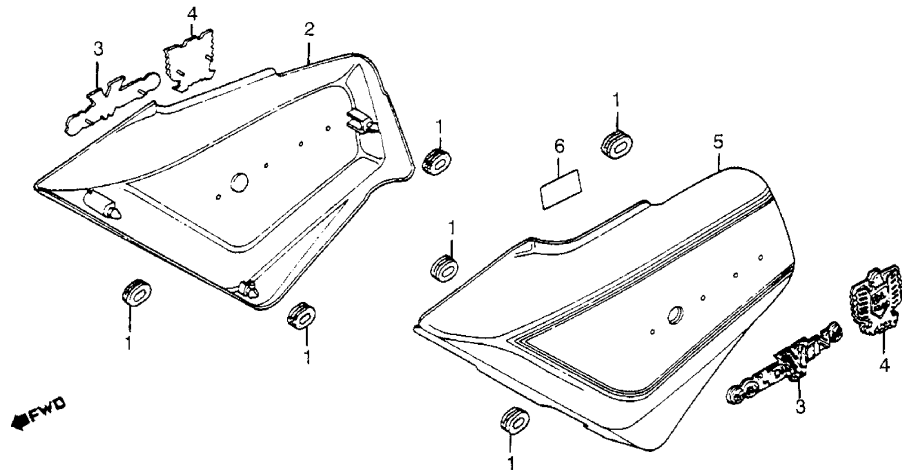
Block No.

F 23

Block Title:

SIDE COVER

Ref. No.	Part No.	Description
5	83700-MG9-000ZB	COVER, L. *PB123PA* '84i
5	83700-MG9-000ZD	COVER, L. *NH136MU* '84i
5	83700-MG9-680ZA	COVER, L. *R114CU* '85i
5	83700-MG9-680ZB	COVER, L. *NH144M* '85i
5	83700-MG9-680ZC	COVER, L. *PB142M* '85i
5	83700-MG9-950ZA	COVER, L. *YR126M* '85L
6	87506-MG9-680	MARK '85L
6	87506-MG9-681	MARK '85L



Catalog Title:

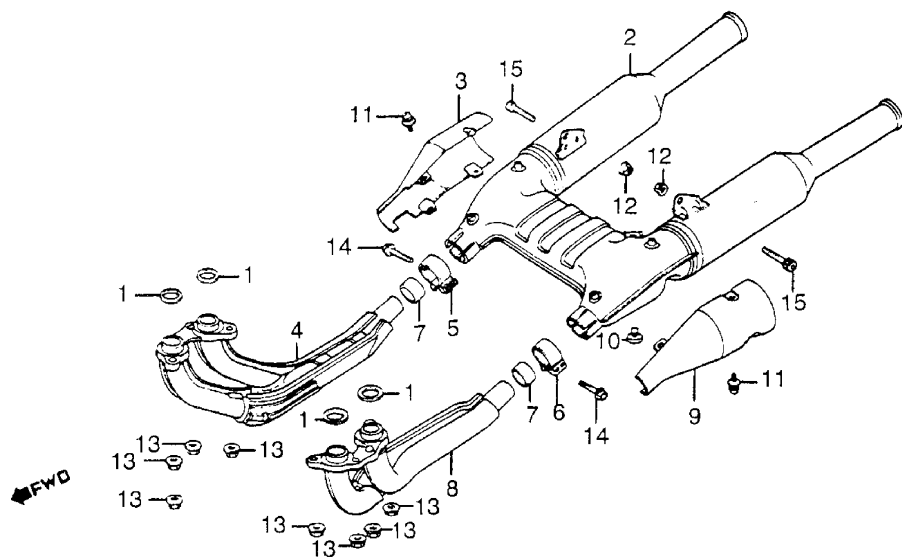
GL1200 '84 GL1200A '84,'85 GL1200I '84,'85 GL1200L '85

Block No.

F 24

Block Title:

MUFFLER



Ref. No.	Part No.	Description
1	18291-286-000	GASKET, EX. PIPE
1	18291-286-306	GASKET, EX. PIPE
2	18300-MG9-003	MUFFLER COMP., EX. '84
2	18300-MG9-771	MUFFLER COMP., EX. '84A/I, '85A/I
2	18300-ML8-671	MUFFLER COMP., EX. '84A/I, '85A/I
2	18300-MG9-951	MUFFLER COMP., EX. '85L
2	18300-ML8-751	MUFFLER COMP., EX. '85L
3	18325-MG9-003	PROTECTOR, R. PIPE
4	18350-MG9-003	BODY COMP., MUFFLER
4	18350-MG9-901	BODY COMP., MUFFLER
5	18376-ME9-003	BAND, R. MUFFLER - ALL '84, '85A/I
5	18376-MB4-003	BAND, R. MUFFLER
6	18377-ME9-003	BAND, L. MUFFLER - ALL '84, '85A/I
6	18377-MB4-003	BAND, L. MUFFLER
7	18391-429-000	GASKET, MUFFLER - ALL '84, '85A/I
7	18391-429-010	GASKET, MUFFLER - ALL '84, '85A/I
7	18392-MJ4-670	GASKET, RR. MUFFLER '85L
7	18392-449-000	GASKET, RR. MUFFLER '85L
8	18450-MG9-003	COVER COMP., L. EX.
8	18450-MG9-901	COVER COMP., L. EX.
9	18475-MG9-003	PROTR. L. CHAMBER
10	50524-MG9-000	RUBBER
11	93893-06010-00	SCREW-WASHER (6X10)
12	94050-10000	NUT, FLANGE (10MM)
13	94070-08080	NUT-WASHER (8MM)

Catalog Title:

GL1200 '84 GL1200A '84,'85 GL1200I '84,'85 GL1200L '85

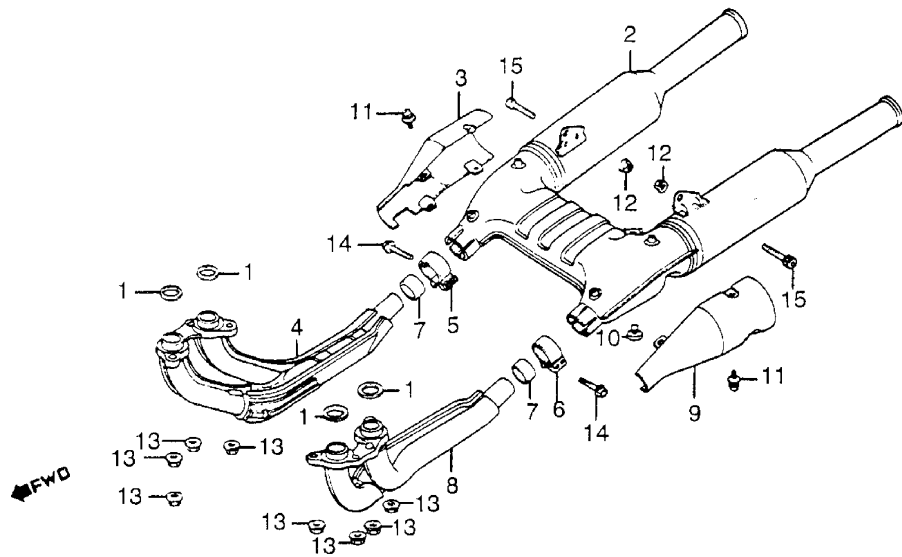
Block No.

F 24

Block Title:

MUFFLER

Ref. No.	Part No.	Description
14	95700-08035-00	BOLT, FLANGE (8X35)
14	95701-08035-00	BOLT, FLANGE (8X35)
15	95700-10035-00	BOLT, FLANGE (10X35) - ALL '84
15	95701-10035-00	BOLT, FLANGE (10X35) - ALL '84
15	90117-MG9-870	BOLT, SOCKET (10X55) - ALL '85



Catalog Title:

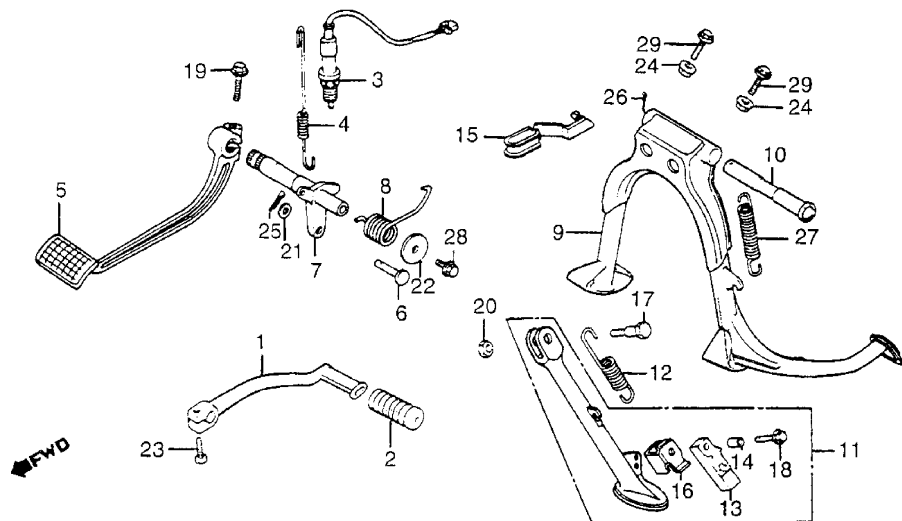
GL1200 '84 GL1200A '84,'85 GL1200I '84,'85 GL1200L '85

Block No.

F 25

Block Title:

GEARSHIFT PEDAL / BRAKE PEDAL / STANDS



Ref. No.	Part No.	Description
1	24701-MG9-000	PEDAL, GEARSHIFT - ALL '84
1	24701-MG9-680	PEDAL, GEARSHIFT - ALL '85
2	24781-419-000	RUBBER
3	35350-MF9-405	SWITCH, RR. STOP
3	35350-MG9-000	SWITCH, RR. STOP
4	35357-KC1-000	SPRING, STOP SWITCH
4	35357-KC1-730	SPRING, STOP SWITCH
5	46500-MG9-000	PEDAL, RR. BRAKE
5	46500-ML8-700	PEDAL, RR. BRAKE
6	46503-371-000	PIN, BRAKE ROD
7	46505-MG9-000	SPINDLE, RR. BRAKE
8	46506-MG9-000	SPRING, BRAKE PEDAL
9	50500-MG9-000	STAND COMP., MAIN - ALL '84
9	50500-MG9-680	STAND COMP., MAIN - ALL '85
10	50526-300-000	PIPE
11	50540-MG9-000	BAR, SIDE STAND - ALL '84
11	50540-MG9-680	BAR, SIDE STAND
12	50541-MB0-000	SPRING, SIDE STAND
13	50548-356-700	RUBBER, STAND
14	50549-356-700	COLLAR
15	50550-MG9-680	CLIP, DRAIN TUBE - ALL '85
16	50574-MB0-000	BRACKET
17	90108-371-610	SCREW - ALL '84
17	90108-MG9-680	SCREW, SIDE STAND - ALL '85
18	90115-MB0-000	BOLT

Catalog Title:

GL1200 '84 GL1200A '84,'85 GL1200I '84,'85 GL1200L '85

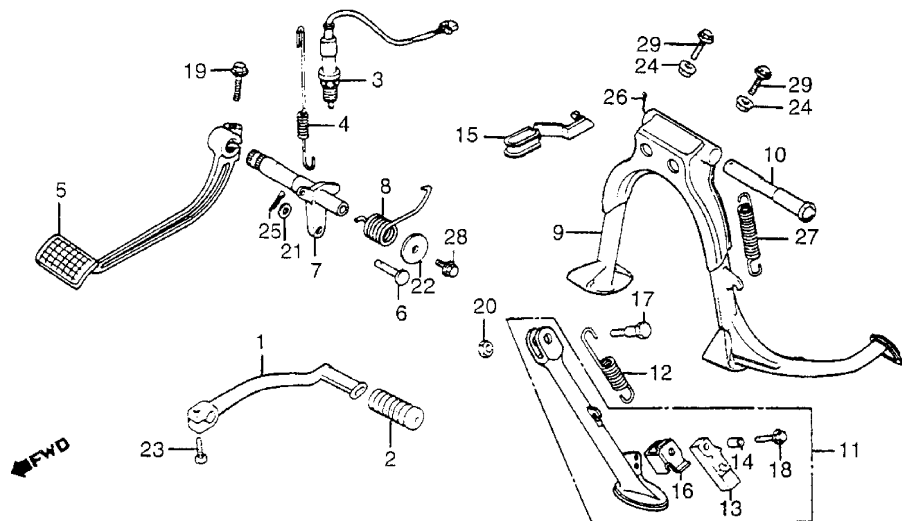
Block No.

F 25

Block Title:

GEARSHIFT PEDAL / BRAKE PEDAL / STANDS

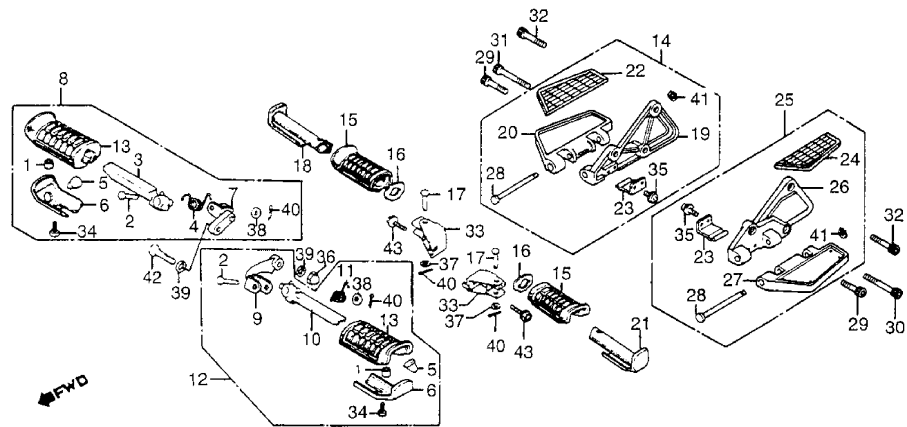
Ref. No.	Part No.	Description
19	90183-438-000	BOLT (8X26)
20	90324-001-810	NUT, RR. (LOWER)
20	90203-MJ4-000	NUT, SIDE STAND - ALL '85
21	90501-310-000	WASHER (7X12)
22	90501-689-000	WASHER (31X6.3X2.3)
23	92000-06020	BOLT, HEX. (6X20)
23	92101-06020-0A	BOLT, HEX. (6X20)
24	94050-08080	NUT, FLANGE (8MM)
25	94201-16150	PIN, COTTER (1.6X25)
25	94201-16250	PIN, COTTER (1.6X25)
26	94201-25250	PIN, SPLIT (2.5X30)
26	94201-25300	PIN, SPLIT (2.5X30)
27	95014-71702	SPRING G, MAIN STAND
28	95700-06010-00	BOLT, FLANGE (6X10)
28	95701-06010-00	BOLT, FLANGE (6X10)
29	95700-08040-08	BOLT, FLANGE (8X40)
29	95701-08040-08	BOLT, FLANGE (8X40)



Catalog Title:
GL1200 '84 GL1200A '84,'85 GL1200I '84,'85 GL1200L '85

Block No.
F 26

Block Title:
FOOTPEGS



Ref. No.	Part No.	Description
1	40515-413-000	COLLAR, CHAIN CASE
2	50603-033-000	PIN, STEP BAR JOINT
2	50603-033-010	PIN, STEP BAR JOINT
3	50612-MG9-000	BAR COMP., R. STEP
4	50617-300-670	SPRING, R.
5	50618-MB0-000	SLIDER, FOOTPEG
6	50619-MB1-000	STOPPER, STEP RUBBER
7	50630-MG9-000	BRACKET, R. STEP
7	50630-MG9-010	BRACKET, R. STEP
8	50635-MG9-000	STEP ASSY., R. MAIN
9	50640-MG9-000	BRACKET, L. STEP
10	50642-MG9-000	BAR COMP., L. STEP
11	50644-300-670	SPRING, L.
12	50645-MG9-000	FOOTPEG, L. MAIN
13	50661-MB1-000	RUBBER, MAIN STEP
14	50710-MG9-870	HOLDER, R. FOOTPEG '84A, '85A, '85L
15	50713-MB1-000	RUBBER, PILLION STEP '84 '84I '85I
16	50714-MB1-000	WASHER, PILLION STEP '84 '84I '85I
17	50714-371-660	PIN B, PILLION STEP '84 '84I '85I
18	50715-MB9-780	BAR, R. PILLION STEP '84 '84I '85I
19	50715-MG9-870	HOLDER, R. FOOTPEG '84A, '85A, '85L
20	50716-MG9-870	PLATE, R. STEP'84A, '85A, '85L
21	50718-MB9-780	BAR, L. PILLION STEP '84 '84I '85I
22	50718-MG9-870	RUBBER, R. '84A
22	50718-MG9-871	RUBBER, R.'84A '85A'85L

Catalog Title:

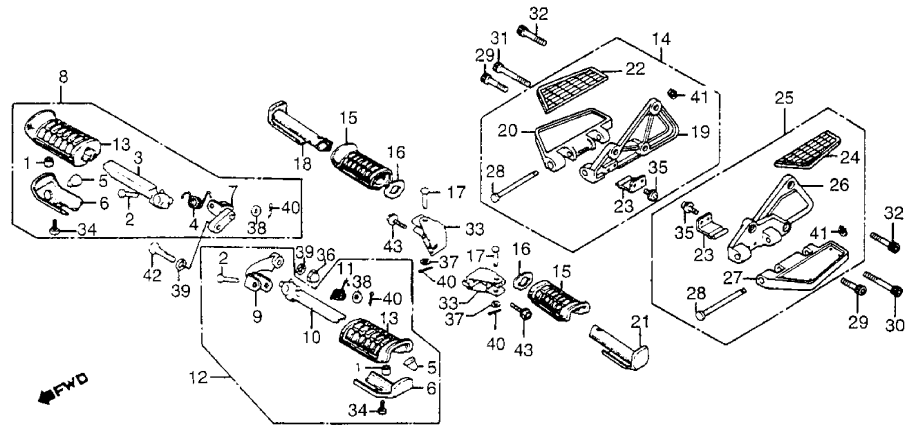
GL1200 '84 GL1200A '84,'85 GL1200I '84,'85 GL1200L '85

Block No.

F 26

Block Title:

FOOTPEGS



Ref. No.	Part No.	Description
23	50719-MG9-870	SPRING, PILLION STEP '84A '85A '85L
24	50728-MG9-870	RUBBER, L. '84
24	50728-MG9-871	RUBBER, L. '84A '85A '85L
25	50810-MG9-870	HOLDER, L. FOOTPEG '84A '85A '85L
26	50815-MG9-870	HOLDER, L. FOOTPEG '84A '85A '85L
27	50816-MG9-870	PLATE, L. STEP '84A '85A '85L
28	50818-MG9-870	PIN, PILLION STEP '84A '85A '85L
29	90116-MG9-770	BOLT, SOCKET (8X28) '84A '85A '85L
30	90116-MG9-870	BOLT, SOCKET (10X45) '84A '85A '85L
31	90117-MG9-870	BOLT, SOCKET (10X55) '84A '85A '85L
32	90117-ME8-000	BOLT, SOCKET (10X25) '84A '85A '85L
32	90117-449-000	BOLT, SOCKET (10X25) '84A '85A '85L
33	90167-371-660	BRKT, PILLION STEP '84, '84I '85I
34	92000-06016-0A	BOLT, HEX. (6X16)
34	92100-06016-0A	BOLT, HEX. (6X16)
34	92101-06016-0A	BOLT, HEX. (6X16)
35	93893-05012-08	SCREW-WASHER (5X12) '84A '85A '85L
36	94021-12200-0S	NUT, CAP (12MM)
37	94101-06000	WASHER, PLAIN (6MM) '84, '84I, '85I
37	94101-06080	WASHER, PLAIN (6MM) '84, '84I, '85I
37	94101-06800	WASHER, PLAIN (6MM) '84, '84I, '85I
38	94101-08000	WASHER, PLAIN (8MM)
39	94111-12000	WASHER (12MM)
40	94201-16150	PIN, COTTER (1.6X25) '84, '84I, '85I

Catalog Title:

GL1200 '84 GL1200A '84,'85 GL1200I '84,'85 GL1200L '85

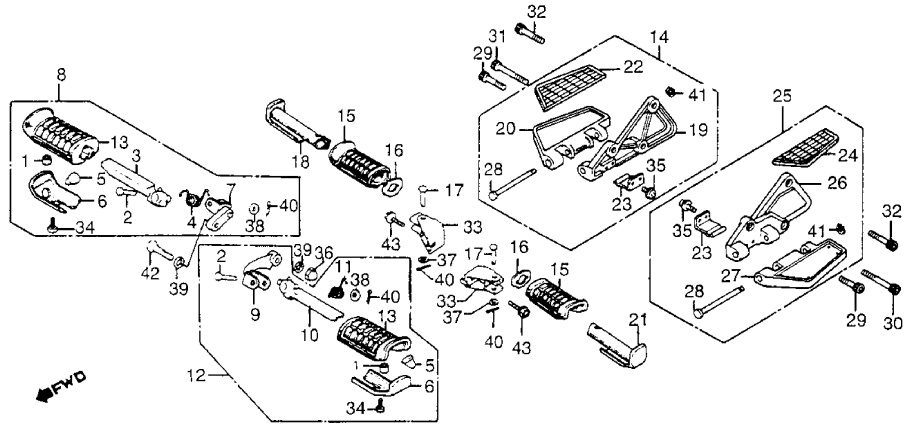
Block No.

F 26

Block Title:

FOOTPEGS

Ref. No.	Part No.	Description
40	94201-16250	PIN, COTTER (1.6X25)
41	94510-10000	CIRCLIP (10MM) '84A '85A '85L
42	95300-12035	BOLT, HEX. (12X35) ALL '84
42	95300-12040	BOLT, HEX. (12X40) ALL '85
42	95300-12040-00	BOLT, HEX. (12X40) ALL '85
43	95700-10016-00	BOLT, FLANGE (10X16) '84 '84I
43	95700-10016-08	BOLT, FLANGE (10X16) '84 '84I
43	95701-10016-08	BOLT, FLANGE (10X16) '84 '84I
43	95700-10020-00	BOLT, FLANGE (10X20) '85I
43	95701-10020-00	BOLT, FLANGE (10X20) '85I



Catalog Title:

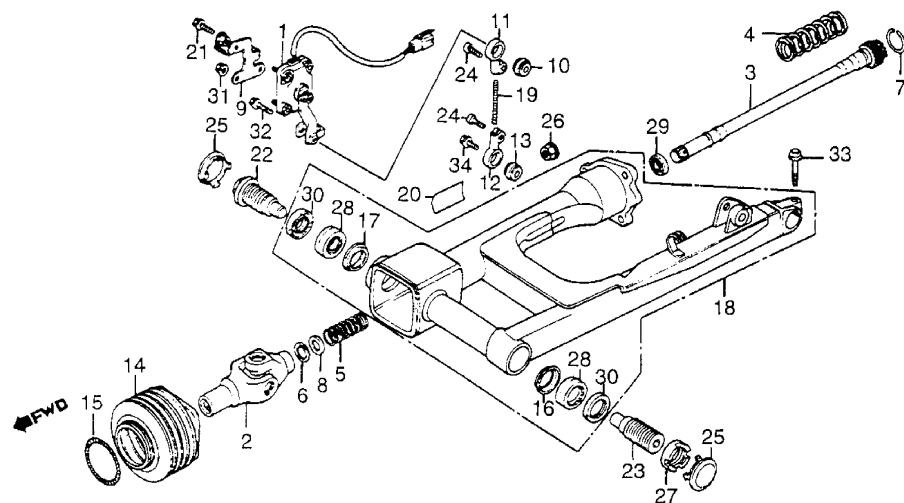
GL1200 '84 GL1200A '84,'85 GL1200I '84,'85 GL1200L '85

Block No.

F 27

Block Title:

SWINGARM / DRIVESHAFT



Ref. No.	Part No.	Description
1	38700-MG9-951	SENSOR ASSY., RR. '85L
2	40200-MG9-000	JOINT COMP., YOKE - ALL '84
2	40200-MG9-010	JOINT COMP., YOKE
3	40201-MG9-000	SHAFT, PROPELLER
4	40215-ME9-003	SPRING - ALL '85
5	40215-MG9-000	SPRING
6	40219-MG9-000	CIRCLIP
7	40221-MB0-000	RING, STOPPER
8	40222-MG9-000	STOPPER
9	50182-MG9-950	STAY COMP., SENSOR '85L
10	51813-SA5-800	BUSH, SENSOR ROD '85L
11	51814-SA5-801	EYE, R. SENSOR ROD '85L
12	51815-SA5-801	EYE, L. SENSOR ROD '85L
13	51819-SA5-801	BUSH, SENSOR SETTING '85L
14	52105-463-010	BOOT, JOINT
15	52106-463-000	BAND, JOINT BOOT
16	52112-MA1-300	HOLDER
17	52118-MG9-003	PLATE, DUST SEAL
18	52120-MG9-950	SWINGARM *NH1Z* '85L
18	52120-ML8-750ZA	SWINGARM *NH1Z* '85L
19	52818-MG9-950	ROD, SENSOR '85L
20	87505-MG9-670	LABEL, TIRE CAUTION '84
20	87505-MG9-870	LABEL, TIRE CAUTION '84A
20	87505-MG9-930	LABEL, TIRE CAUTION '85A/ '85L
20	87505-MG9-770	LABEL, TIRE CAUTION '84i

Catalog Title:

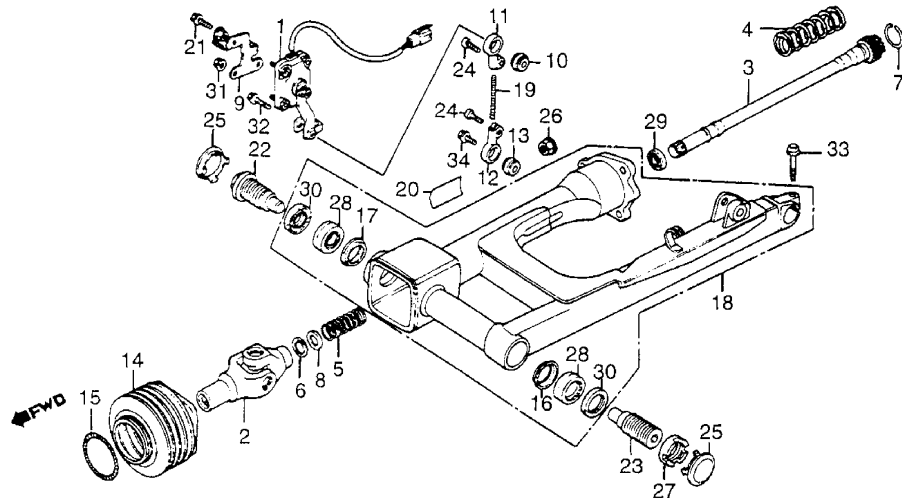
GL1200 '84 GL1200A '84,'85 GL1200I '84,'85 GL1200L '85

Block No.

F 27

Block Title:

SWINGARM / DRIVESHAFT



Ref. No.	Part No.	Description
20	87505-MG9-680	LABEL, TIRE CAUTION '85i
20	87505-MG9-950	LABEL, TIRE CAUTION '85L
21	90105-460-000	BOLT, SOCKET (6X12) '85L
22	90121-MG9-000	BOLT, R. RR.
23	90122-463-000	BOLT, L. RR.
24	90170-MJ1-000	BOLT (6X10) '85L
25	90303-MB9-950	CAP, LOCK NUT
26	90309-357-000	NUT, HEX. (8MM)
27	90355-469-000	NUT, RR.
28	91062-415-013	BEARING (30203)
28	91121-PH8-961	BEARING (30203)
29	91261-ME9-005	OIL SEAL (27X43X7)
30	91268-463-003	DUST SEAL (26X40X5)
31	94050-06080	NUT, FLANGE (6MM) '85L
32	95700-08028-08	BOLT, FLANGE (8X28)'85L
32	95700-08028-18	BOLT, FLANGE (8X28) '85L
32	95701-08028-08	BOLT, FLANGE (8X28) '85L
33	95700-08032-00	BOLT, FLANGE (8X32)
33	95701-08032-00	BOLT, FLANGE (8X32)
34	95700-08020-00	BOLT, FLANGE (8X20) '85L
34	95701-08020-00	BOLT, FLANGE (8X20) '85L
34	95900-08020-00	BOLT, FLANGE (8X20) '85L

Catalog Title:

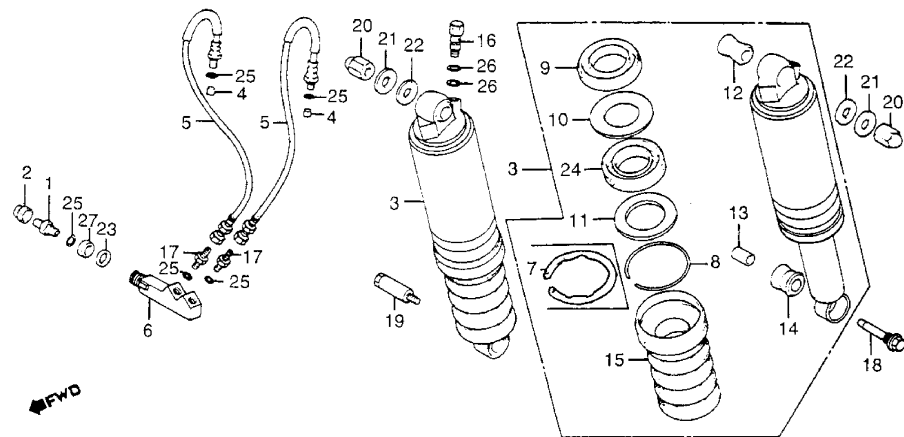
GL1200 '84 GL1200A '84,'85 GL1200I '84,'85 GL1200L '85

Block No.

F 28

Block Title:

REAR SHOCK ABSORBER



Ref. No.	Part No.	Description
1	51456-469-013	VALVE COMP., AIR
2	51457-469-000	CAP ASSY., AIR VALVE-ALL'84 MODELS
2	52425-169-003	CAP, AIR VALVE - ALL '85
3	52400-MG9-771	SHOCK ABSORBER, RR.
3	52400-MG9-951	SHOCK ABSORBER, RR. '85L
4	52421-MG9-951	VALVE, CHECK '85L
5	52432-MG9-671	HOSE COMP., AIR - ALL '84 '85A/i
5	52432-MG9-951	HOSE COMP., AIR '85i
6	52434-MG9-671	JOINT, THREE-WAY
7	52447-463-003	CIRCLIP (66MM) -ALL'84 MODELS
8	52460-MG9-671	RING B, STOPPER - ALL '85
9	52462-463-003	GUIDE, DAMPER CASE
10	52463-463-003	RING A, BACK-UP
11	52464-463-003	RING B, BACK-UP - ALL '84
11	52477-MG9-671	RING B, BACK-UP - ALL '85
12	52484-292-000	RUBBER, JOINT
13	52486-MG9-671	COLLAR, RR. SHOCK
14	52489-461-771	BUSH, RUBBER (UPPER)
15	52611-MG9-671	BOOT, RR. SHOCK
16	52622-MG9-951	BOLT, AIR HOSE '85L
17	53140-MG9-671	CONNECTOR
18	90158-MG9-000	BOLT, BRAKE STOPPER
19	90159-MG9-000	BOLT, RR.
20	90309-315-000	NUT, RR. (UPPER) '84

Catalog Title:

GL1200 '84 GL1200A '84,'85 GL1200I '84,'85 GL1200L '85

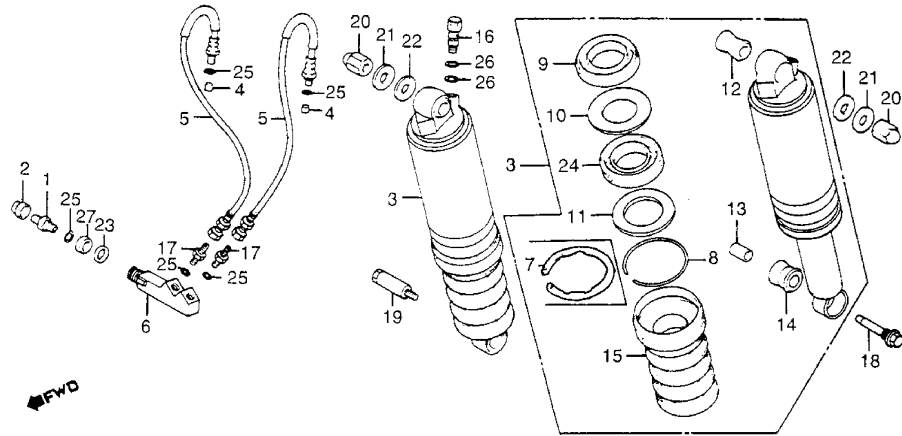
Block No.

F 28

Block Title:

REAR SHOCK ABSORBER

Ref. No.	Part No.	Description
21	90521-292-000	WASHER (10.3MM)'84
22	90527-230-000	WASHER (10.3MM) '84
23	90549-444-000	WASHER, PLAIN (14MM)
24	91257-MG9-671	OIL SEAL
25	91301-469-003	O-RING (5.8X1.9)
25	91305-323-000	O-RING (5.8X1.9)
25	91318-ME5-003	O-RING (5.6X1.9)
26	91351-671-003	O-RING (7MM) '85L
26	91351-671-004	O-RING (7MM) '85L
27	94002-14080-0S	NUT, HEX. (14MM)

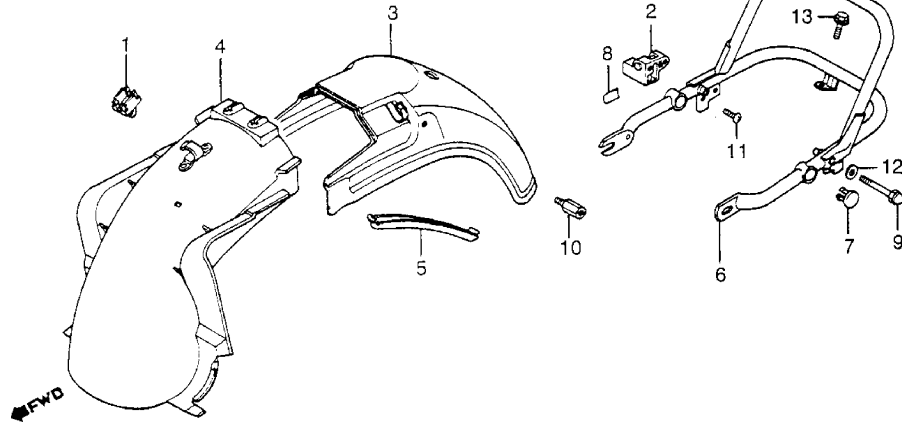


Catalog Title:
GL1200 '84 GL1200A '84,'85 GL1200I '84,'85 GL1200L '85

Block No.
F 29

Block Title:
REAR FENDER - '84

Ref. No.	Part No.	Description
1	32637-MG9-000	HOLDER, CONNECTOR
2	50710-086-007	HOLDER ASSY., HELMET
2	50710-371-007	HOLDER ASSY., HELMET
3	80100-MG9-670ZA	FDR A, RR. *R114CU*
3	80100-MG9-670ZB	FENDER A, RR. *NH1Z*
4	80101-MG9-000	FENDER B, RR.
5	80102-MG9-000	GUARD, SUB-WIRE
6	84101-MG9-000	BUMPER, RR.
7	84102-MG9-000	CAP, RR. BUMPER
8	87511-323-670	LABEL, HELMET HOLDER
9	90103-MG9-000	BOLT, CAP (8X60)
9	92600-08060-0B	BOLT, CAP (8X60)
10	90160-425-000	BOLT, RR.
11	93500-06012-0A	SCREW, PAN (6X12)
12	94101-08200	WASHER, PLAIN (8MM)
13	95700-06010-00	BOLT, FLANGE (6X10)
13	95701-06010-00	BOLT, FLANGE (6X10)



Catalog Title:

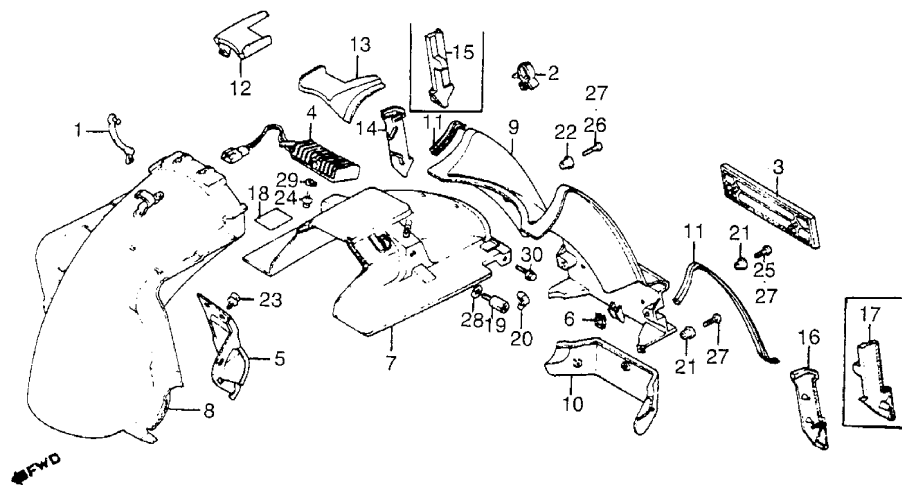
GL1200 '84 GL1200A '84,'85 GL1200I '84,'85 GL1200L '85

Block No.

F 2901

Block Title:

REAR FENDER - 1200I/A/L '84-'85



Ref. No.	Part No.	Description
1	32175-MG9-770	CLAMP, WIRE HARNESS
2	32175-647-920	CLIP, HARNESS '85i
3	33742-MG9-771	REFLECTOR, RR.
4	36280-MG9-951	RESISTOR ASSY. '85L
5	51820-MG9-950	COVER, SENSOR '85L
6	64529-MC7-000	NUT, CLIP (6MM)
7	80100-MG9-770ZC	FDR A, RR. *R128PA* '84A
7	80100-MG9-770ZD	FDR A, RR. *YR123MU* '84A
7	80100-MG9-770ZB	FDR A, RR. *PB123PA* '84A, '84i
7	80100-MG9-680ZD	FDR A, RR. *R137PA* '85A
7	80100-MG9-680ZE	FDR A, RR. *PB140M* '85A
7	80100-MG9-680ZF	FDR A, RR. *YR125M* '85A
7	80100-MG9-P00ZA	FENDER R*R114C-U* '84i '85i
7	80100-MG9-770ZA	FENDER R*R114C-U* '84i
7	80100-MG9-770ZE	FDR A, RR. *NH136MU* '84i
7	80100-MG9-680ZA	FDR A, RR. *R114CU* '85i
7	80100-MG9-680ZB	FDR A, RR. *NH144M* '85i
7	80100-MG9-680ZC	FDR A, RR. *PB142M* '85i
7	80100-MG9-950ZA	FDR A, RR. *YR126M* '85L
8	80101-MG9-000	FENDER B, RR. '84A/I '85A/I
8	80101-MG9-305	FENDER B, RR. '85L
9	80102-MG9-770ZC	FENDER A *R128PA* '84A
9	80102-MG9-770ZD	FENDER A *YR123MU* '84A
9	80102-MG9-770ZB	FENDER A *PB123PA* '84A, '84i
9	80102-MG9-770ZH	FENDER A *R137PA* '85

Catalog Title:

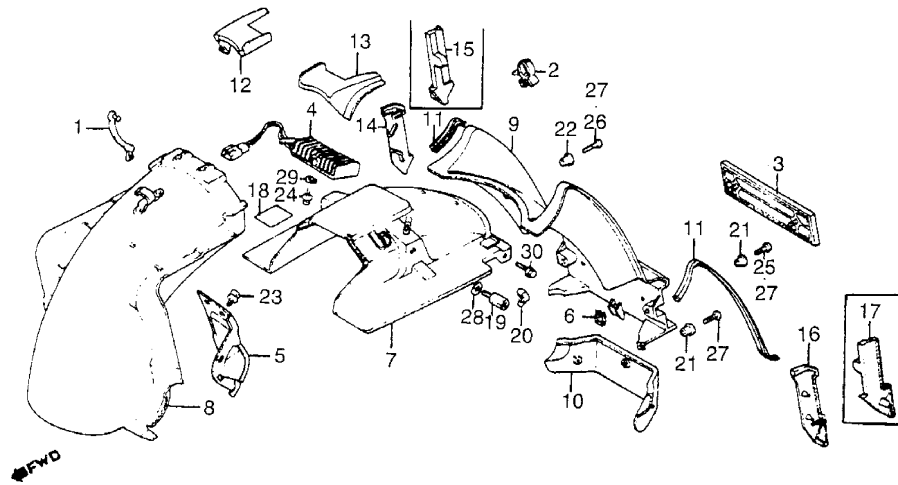
GL1200 '84 GL1200A '84,'85 GL1200I '84,'85 GL1200L '85

Block No.

F 2901

Block Title:

REAR FENDER - 1200I/A/L '84-'85



Ref. No.	Part No.	Description
9	80102-MG9-770ZJ	FENDER A *PB140M* '85A
9	80102-MG9-770ZK	FENDER A *YR125M* '85A
9	80102-MG9-770ZE	FENDER A *NH136MU**84I
9	80102-MG9-770ZA	FENDER A *R114CU* '84I '85I
9	80102-MG9-770ZF	FENDER A *NH144M* '85I
9	80102-MG9-770ZG	FENDER A *PB142M* '85I
9	80102-MG9-770ZL	FENDER A *YR126M* '85L
10	80103-MG9-770	FENDER A (LOWER) '84A/I '85A/I
10	80103-MG9-950ZA	FENDER A *YR126M* '85L
11	80104-MG9-770	RUBBER, FENDER SIDE
12	80110-MG9-680	MUDGUARD, R. - ALL'85
13	80120-MG9-680	MUDGUARD, L. - ALL'85
14	81230-MG9-770	RUBBER, R. '84A/I '85A/I
15	81230-MG9-950	RUBBER, R. '85L
16	81430-MG9-770	RUBBER, L. '84A/I '85A/I
17	81430-MG9-950	RUBBER, L. '85L
18	87505-MG9-950	LABEL, TIRE CAUTION '85L
19	90102-MG9-770	BOLT, FENDER SETTING
20	90325-044-000	WINGNUT
21	90402-GB0-900	WASHER
22	90556-044-000	WASHER, FR.
23	90657-SA5-003	CLIP '85L
24	92300-05010-0A	BOLT, SLOT (5X10) '85L
25	93500-06012-0A	SCREW, PAN (6X12) '84A/I
26	93500-06012-0G	SCREW, PAN (6X12) '84A/I

Catalog Title:

GL1200 '84 GL1200A '84,'85 GL1200I '84,'85 GL1200L '85

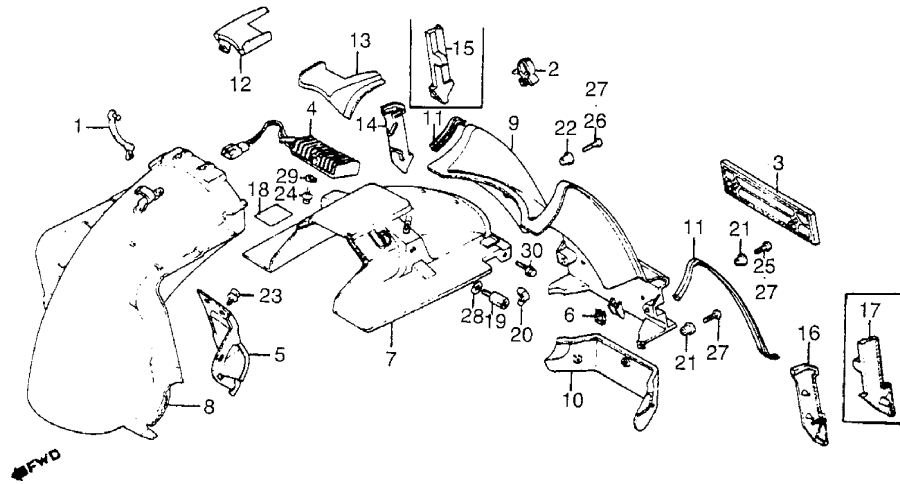
Block No.

F 2901

Block Title:

REAR FENDER - 1200I/A/L '84-'85

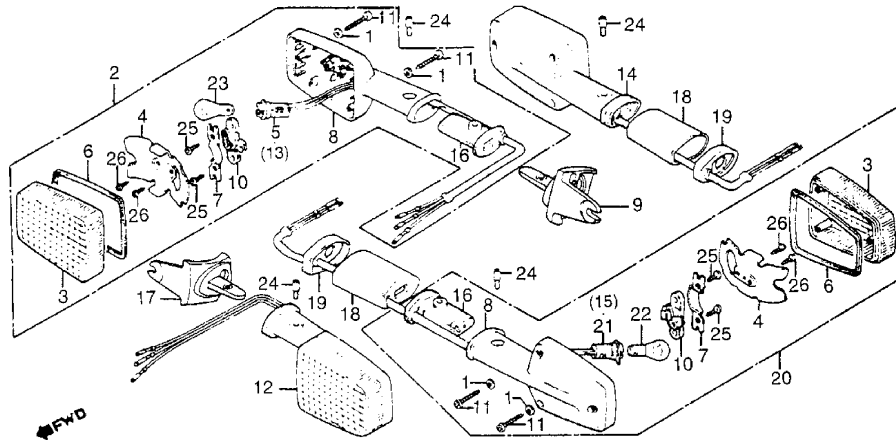
Ref. No.	Part No.	Description
27	93500-06016-0G	SCREW, PAN (6X16) - ALL '85
28	94101-08800	WASHER, PLAIN (8MM) - ALL '85
29	94111-05800	WASHER, SPRING (5MM) '85L
30	95700-06012-08	BOLT, FLANGE (6X12)
30	95701-06012-08	BOLT, FLANGE (6X12)



Catalog Title:
GL1200 '84 GL1200A '84,'85 GL1200I '84,'85 GL1200L '85

Block No.
F 30

Block Title:
TURN SIGNAL - '84



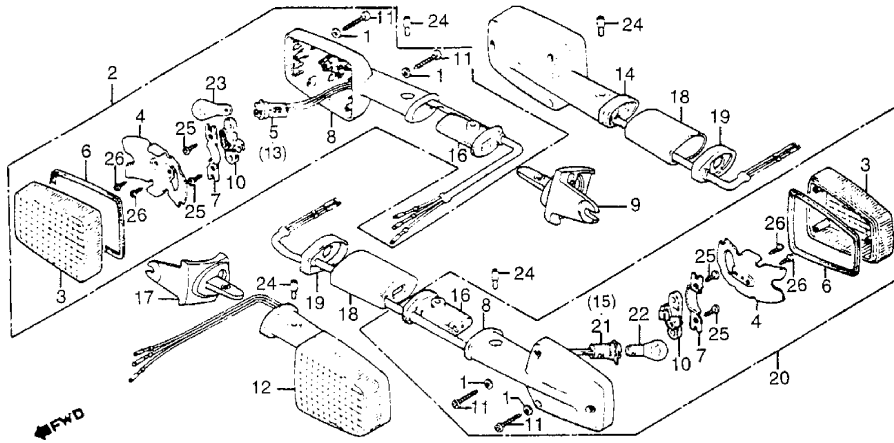
Ref. No.	Part No.	Description
1	33318-567-003	WASHER
2	33400-MA1-679	TURN SIGNAL, R. FR.
2	33400-MB9-672	TURN SIGNAL, R. FR.
3	33402-431-782	LENS, TURN SIGNAL
4	33403-431-782	REFLECTOR
5	33405-425-672	SOCKET COMP., R. FR.
6	33406-431-781	GASKET
7	33407-431-781	HOLDER, SOCKET
8	33409-MA1-671	BASE, TURN SIGNAL
9	33410-MG9-000	STAY, R. FR.
10	33411-431-782	RUBBER, SOCKET
11	33420-431-780	SCREW, TAP (4X25)
12	33400-MA1-679	TURN SIGNAL, R. FR.
12	33450-MB9-672	TURN SIGNAL, R. FR.
13	33455-425-672	SOCKET COMP., L. FR.
14	33600-MB9-672	TURN SIGNAL, L. RR.
14	33650-MA1-679	TURN SIGNAL, L. RR.
15	33605-431-782	SOCKET COMP., R. RR.
16	33609-445-631	RUBBER, RR.
17	33610-MG9-000	STAY, L. FR.
18	33611-MB9-000	CVR, RR. TURN SIGNAL
19	33612-463-000	RUBBER, RR.
20	33650-MA1-679	TURN SIGNAL, L. RR.
20	33650-MB9-672	TURN SIGNAL ASSY.
21	33655-431-782	SOCKET COMP., L. RR.

Catalog Title:
GL1200 '84 GL1200A '84,'85 GL1200I '84,'85 GL1200L '85

Block No.
F 30

Block Title:
TURN SIGNAL - '84

Ref. No.	Part No.	Description
22	34905-268-671	BULB (12V 23W)
23	34905-425-671	BULB (12V 23/8W)
24	90380-445-630	SCREW, OVAL (5X8)
25	93901-24120	SCREW, TAPPING (4X8)
26	93901-32020	SCREW, TAPPING (3X6)



Catalog Title:

GL1200 '84 GL1200A '84,'85 GL1200I '84,'85 GL1200L '85

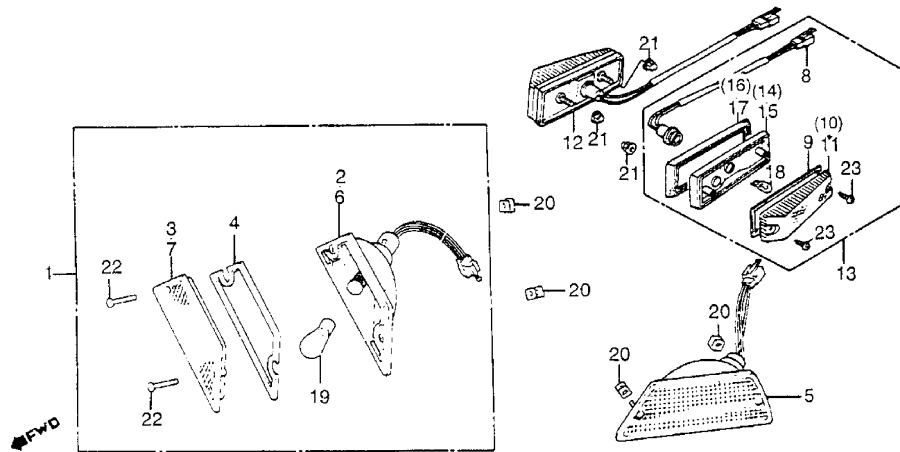
Block No.

F 3001

Block Title:

TURN SIGNAL - 1200I/A/L - '84-'85

Ref. No.	Part No.	Description
1	33400-MG9-771	TURN SIGNAL, R. FR.
2	33401-MG9-771	BASE COMP., R. FR.
3	33402-MG9-771	LENS, R. FR.
4	33406-MG9-771	GASKET, FR.
5	33450-MG9-771	TURN SIGNAL, L. FR.
6	33451-MG9-771	BASE COMP., L. FR.
7	33452-MG9-771	LENS, L. FR.
8	33704-MG9-951	SOCKET COMP., R. FR. '85L
9	33737-MG9-951	GASKET, R. FR. '85L
10	33738-MG9-951	LENS, R. FR. '85L
11	33739-MG9-951	LENS, L. FR. '85L
12	33740-MG9-951	LAMP, R. FR. '85L
13	33741-MG9-951	LAMP, L. FR. '85L
14	33745-MG9-951	BASE COMP., R. FR. '85L
15	33746-MG9-951	BASE COMP., L. FR. '85L
16	33747-MG9-951	GASKET, R. FR. '85L
17	33748-MG9-951	GASKET, L. FR. '85L
18	34901-SB0-671	BULB (12V5W) '85L
19	34905-425-671	BULB (12V 23/8W)
20	66872-671-000	NUT
21	90106-MB9-871	NUT (5MM) '85L
22	90192-377-671	SCREW, PAN (4X25)
22	93500-04025-0A	SCREW, PAN (4X25)
23	93901-24210	SCREW, TAP (4X10) '85L

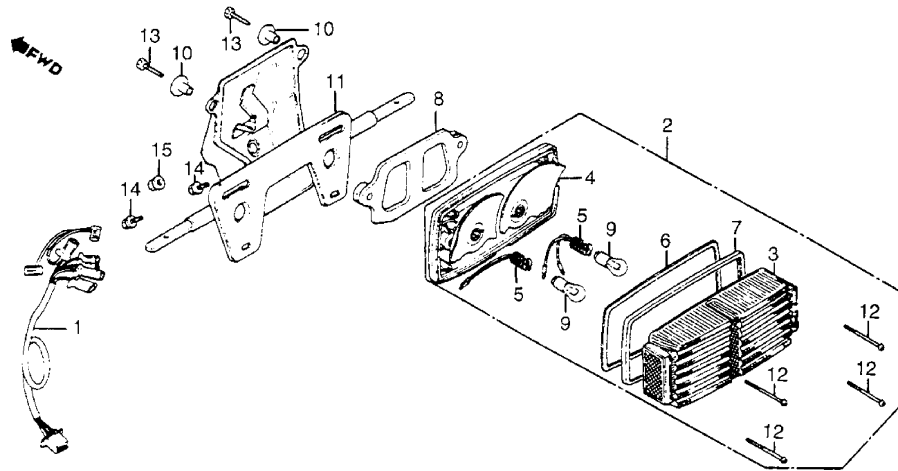


Catalog Title:
GL1200 '84 GL1200A '84,'85 GL1200I '84,'85 GL1200L '85

Block No.
F 31

Block Title:
TAILLIGHT - '84

Ref. No.	Part No.	Description
1	32101-MG9-670	SUB-WIRE HARNESS
2	33701-463-671	TAILLIGHT UNIT
3	33702-422-671	LENS, TAILLIGHT
4	33703-463-670	BASE B, TAILLIGHT
5	33708-371-601	CABLE, TAILLIGHT
6	33709-422-003	GASKET
7	33710-422-003	RIM, TAILLIGHT
8	33715-463-000	RUBBER
9	34906-MG9-771	BULB, TAILLIGHT
9	34906-341-671	BULB, TAILLIGHT
10	61104-428-000	COLLAR, FR. FENDER
10	61105-428-000	COLLAR, RR. FENDER
11	84700-463-670	BRKT, LICENSE PLATE
12	90147-147-671	SCREW, TAP (4X60)
13	92000-06024-02	BOLT, HEX. (6X25)
13	92000-06025-0B	BOLT, HEX. (6X25)
13	92000-06025-02	BOLT, HEX. (6X25)
13	92101-06025-0B	BOLT, HEX. (6X25)
14	93403-06012-00	BOLT-WASHER (6X12)
14	93493-06012-00	BOLT-WASHER (6X12)
15	94050-06000	NUT, FLANGE (6MM)



Catalog Title:

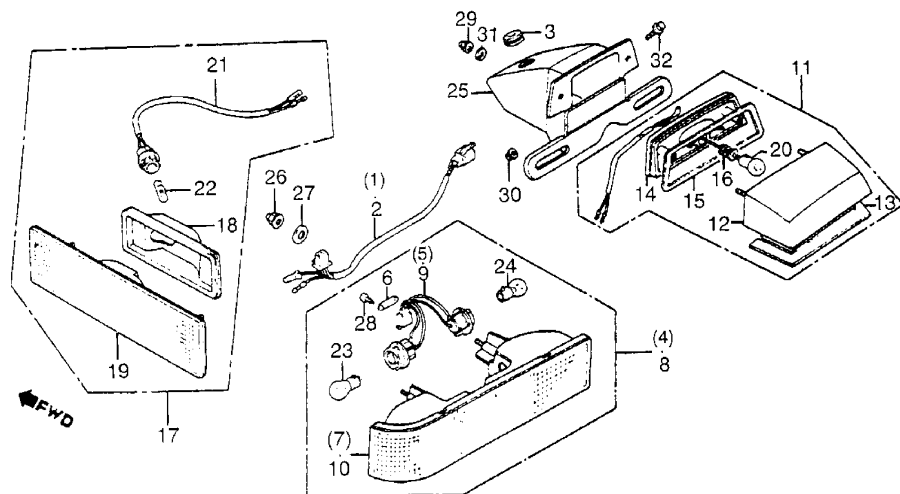
GL1200 '84 GL1200A '84,'85 GL1200I '84,'85 GL1200L '85

Block No.

F 3101

Block Title:

LICENSE LIGHT / REAR COMBINATION LIGHT - 1200I/A/L '84-'85



Ref. No.	Part No.	Description
1	32107-MG9-770	SUB-HARNESS, R. RR. '84A/I '85AI
1	32107-ML8-670	SUB-HARNESS, R. RR. '84A/I '85AI
1	32107-MG9-950	SUB-HARNESS, R. RR. '85L
1	32107-ML8-750	SUB-HARNESS, R. RR. '85L
2	32109-MG9-770	SUB-HARNESS, L. RR. '84A/I '85AI
2	32109-ML8-670	SUB-HARNESS, L. RR. '84A/I '85AI
2	32109-MG9-950	SUB-HARNESS, L. RR. '85L
3	32983-011-000	GROMMET
4	33500-MG9-771	LIGHT ASSY., R. RR.
5	33503-MG9-771	WIRE COMP., R.
6	33507-SB0-671	STAY
7	33510-MG9-771	LENS COMP., R.
8	33550-MG9-771	LIGHT ASSY., L. RR.
9	33553-MG9-771	WIRE COMP., L.
10	33560-MG9-771	LENS COMP., L.
11	33720-MG9-771	LIGHT ASSY., LICENSE
12	33721-MG9-771	COVER COMP.
13	33722-MG9-771	LENS, LICENSE
13	33722-MG9-772	LENS, LICENSE
14	33723-MG9-771	BASE COMP.
15	33724-MG9-771	GASKET, LENS
16	33725-MG9-771	WIRE COMP.
17	33742-MG9-951	REFLECTOR, RR. '85L
18	33743-MG9-951	GASKET, RR. '85L
18	33743-ML8-751	GASKET, RR. '85L

Catalog Title:

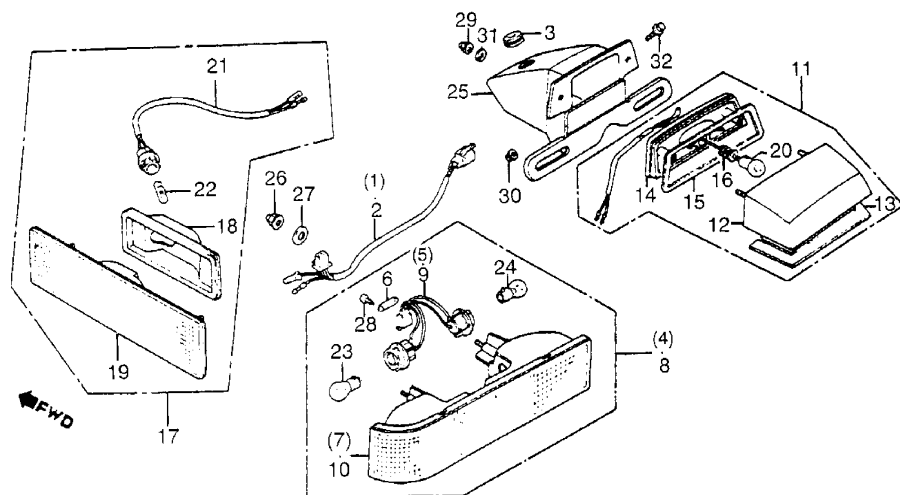
GL1200 '84 GL1200A '84,'85 GL1200I '84,'85 GL1200L '85

Block No.

F 3101

Block Title:

LICENSE LIGHT / REAR COMBINATION LIGHT - 1200I/A/L '84-'85



Ref. No.	Part No.	Description
19	33744-MG9-951	LENS COMP. '85L
20	34616-568-671	BULB (12V8W 67)
20	34902-500-003	BULB (12V8W 67)
20	34908-272-000	BULB (12V8W 67)
20	34909-505-003	BULB (12V8W 67)
20	34909-505-610	BULB (12V8W 67)
21	33705-MG9-951	SOCKET COMP. '85L
21	34705-MG9-951	SOCKET COMP. '85L
22	34901-SB0-671	BULB (12V5W) '85L
23	34905-268-671	BULB (12V 23W)
24	34906-MG9-771	BULB, TAILLIGHT
25	84700-MG9-770	BRKT, NUMBER PLATE
26	90201-428-900	NUT, CAP (6MM)
26	90308-MT8-000	NUT, CAP (6MM)
27	90525-428-900	WASHER, PLAIN (6MM)
28	93901-34320	SCREW, TAP (4X12)
29	94021-04020-0S	NUT, CAP (4MM)
30	94050-06000	NUT, FLANGE (6MM)
31	94111-04000	WASHER, SPRING (4MM)
32	95700-06010-00	BOLT, FLANGE (6X10)
32	95701-06010-00	BOLT, FLANGE (6X10)

Catalog Title:

GL1200 '84 GL1200A '84,'85 GL1200I '84,'85 GL1200L '85

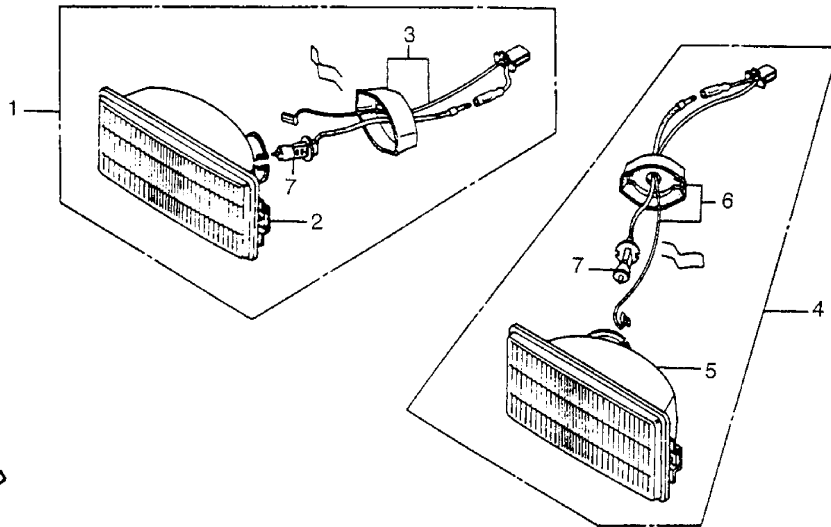
Block No.

F 3102

Block Title:

CORNERING RING - GL1200L '85

Ref. No.	Part No.	Description
1	33200-MG9-951	LAMP, R. CORNERING
2	33201-MG9-951	LENS COMP., R.
3	33202-MG9-951	WIRE COMP., R.
4	33250-MG9-951	LAMP, L. CORNERING
5	33251-MG9-951	LENS COMP., L.
6	33252-MG9-951	WIRE COMP., L.
7	33116-SD4-A01	BULB (H3) (12V/35W)
7	34902-MG9-951	BULB (H3 12V35W)



←FWD

Catalog Title:

GL1200 '84 GL1200A '84,'85 GL1200I '84,'85 GL1200L '85

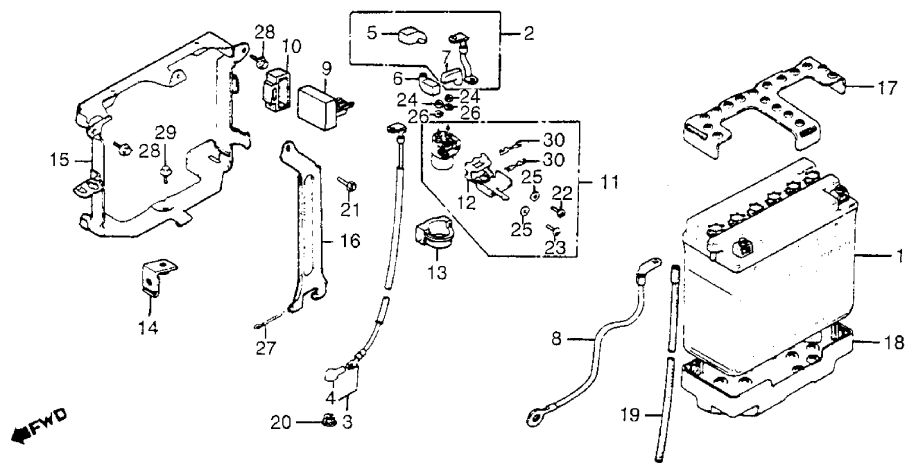
Block No.

F 32

Block Title:

BATTERY

Ref. No.	Part No.	Description
1	31500-371-671	BATTERY (Y50-N18L-A)
1	31500-371-672	BATTERY (Y50-N18L-A)
1	31500-431-671	BATTERY (Y50-N18L-A)
1	31500-463-671	BATTERY (Y50-N18L-A)
1	31500-463-677	BATTERY (Y50-N18L-A)
1	31500-463-721	BATTERY (Y50-N18L-A)
1	31500-463-742	BATTERY (Y50-N18L-A)
1	31500-463-743	BATTERY (Y50-N18L-A)
1	31500-463-747	BATTERY (Y50-N18L-A)
2	32401-MG9-000	CABLE
2	32401-ML8-670	CABLE
3	32410-MG9-000	CABLE, STARTER MOTOR - ALL '84
3	32410-MG9-680	CABLE, STARTER MOTOR - ALL '85
4	32411-MG9-000	COVER - ALL '84
4	32411-MT3-000	COVER, STARTER MOTOR - ALL '84
4	32411-MG9-680	COVER - ALL '85
5	32412-MG9-000	COVER - ALL '84
5	32412-MG9-680	COVER - ALL '85
6	32412-443-900	COVER A
7	32415-MG9-000	COVER A
8	32601-MG9-000	CABLE
9	35550-MG9-771	SENSOR - ALL '85 '84A/i
10	35551-MG9-770	SUSPENSION - ALL '85 '84A/i
11	35850-ME8-007	SWITCH
11	35851-MJ0-000	SWITCH



Catalog Title:

GL1200 '84 GL1200A '84,'85 GL1200I '84,'85 GL1200L '85

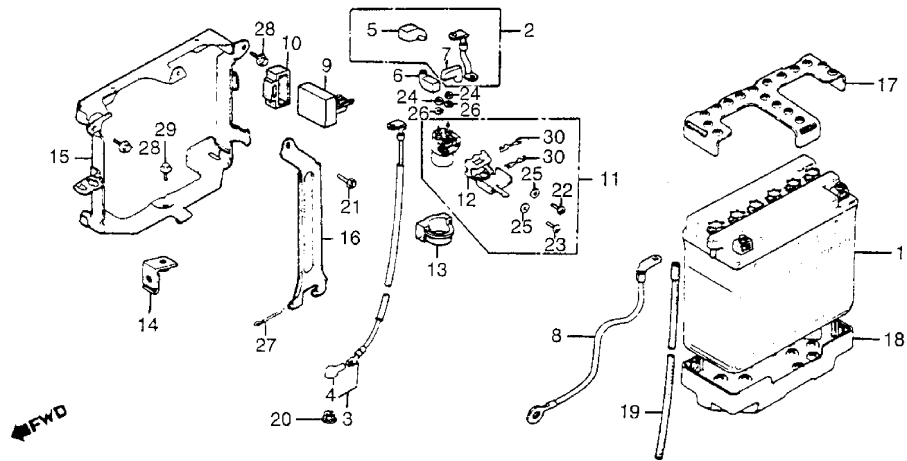
Block No.

F 32

Block Title:

BATTERY

Ref. No.	Part No.	Description
12	35852-MB0-007	COVER, FUSE - ALL '84
12	35852-ME8-007	COVER, FUSE - ALL '85
13	35856-MB0-007	RUBBER, SHOCK
14	50154-MG9-000	STAY, RR. BRAKE HOSE
15	50325-MG9-000	BOX, BATTERY - ALL '84
15	50325-MG9-010	BOX, BATTERY - ALL '84 '85A/I
15	50325-MG9-950	BOX, BATTERY '85L
16	50326-MG9-000	PLATE
17	50327-463-000	RUBBER, BATTERY
18	50328-MG9-000	RUBBER, BATTERY
19	50329-MG9-000	TUBE, BATTERY - ALL '84
19	50329-MG9-681	TUBE, BATTERY - ALL '85
20	90071-MB0-000	NUT-WASHER (6MM)
21	92400-06012	BOLT, SLOT (6X12)
21	92401-06012-0A	BOLT, SLOT (6X12)
22	93500-04006-0H	SCREW, PAN (4X6)
22	93500-04006-1H	SCREW, PAN (4X6)
23	93500-04010-0H	SCREW, PAN (4X10)
23	93500-04010-1H	SCREW, PAN (4X10)
24	94002-06000	NUT, HEX. (6MM) - ALL '84
24	94002-06000-0S	NUT, HEX. (6MM)
25	94101-04800	WASHER, PLAIN (4MM)
26	94111-06000	WASHER, SPRING (6MM)
27	94201-40550	PIN, COTTER (4X55)
28	95700-06012-08	BOLT, FLANGE (6X12)

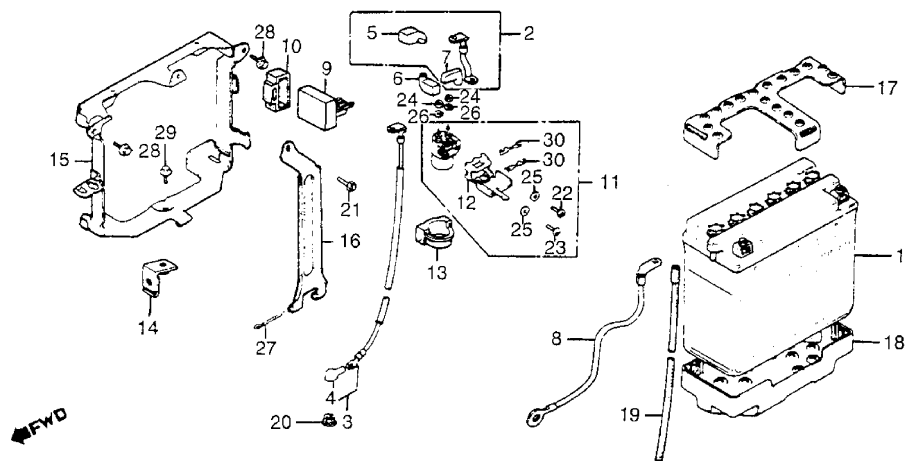


Catalog Title:
GL1200 '84 GL1200A '84,'85 GL1200I '84,'85 GL1200L '85

Block No.
F 32

Block Title:
BATTERY

Ref. No.	Part No.	Description
28	95701-06012-08	BOLT, FLANGE (6X12)
29	95700-06014-08	BOLT, FLANGE (6X14)
29	95701-06014-08	BOLT, FLANGE (6X14)
30	98200-53000	FUSE F (30A)



Catalog Title:

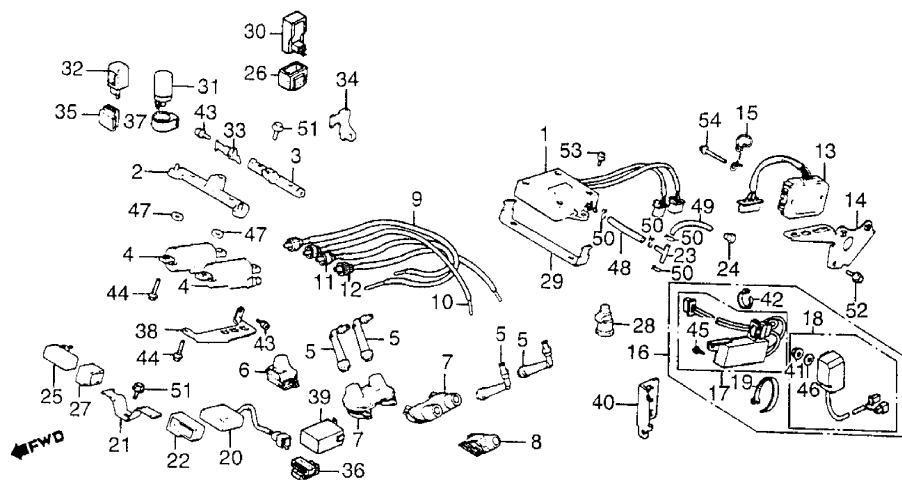
GL1200 '84 GL1200A '84,'85 GL1200I '84,'85 GL1200L '85

Block No.

F 33

Block Title:

IGNITION COIL / RECTIFIER - 1200//A '84-'85



Ref. No.	Part No.	Description
1	30400-MG9-004	IGNITER UNIT - ALL '84
1	30400-MG9-005	IGNITER UNIT - ALL '84
1	30400-MG9-741	IGNITER UNIT '85A/I
1	30400-MG9-742	IGNITER UNIT
2	30501-MG9-000	STAY A
3	30502-MG9-000	STAY B
4	30510-MA6-013	COIL COMP., IGNITION
5	30700-KR3-670	CAP ASSY.
5	30700-MB9-153	CAP ASSY.
6	30705-MG9-770	SEAL, R. SUPPRESSOR '84A/I '85A/I
7	30705-463-000	SEAL, SUPPRESSOR '84
8	30706-MG9-770	SEAL, L. SUPPRESSOR '84A/I '85A/I
9	30750-MG9-P00	CORD COMP H/T
9	30750-MG9-405	CORD COMP H/T
9	30751-MG9-000	CORD COMP H/T
10	30750-MG9-P00	CORD COMP H/T
10	30750-MG9-405	CORD COMP H/T
10	30752-MG9-000	CORD COMP H/T
11	30750-MG9-P00	CORD COMP H/T
11	30750-MG9-405	CORD COMP H/T
11	30753-MG9-000	CORD COMP H/T
12	30750-MG9-P00	CORD COMP H/T
12	30750-MG9-405	CORD COMP H/T
12	30754-MG9-000	CORD COMP H/T
13	31600-MG9-000	RECTIFIER, REGULATE

Catalog Title:

GL1200 '84 GL1200A '84,'85 GL1200I '84,'85 GL1200L '85

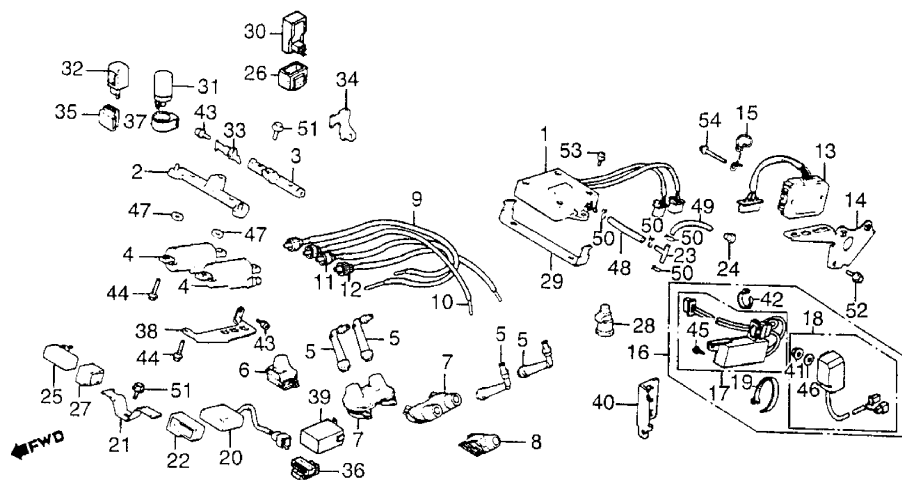
Block No.

F 33

Block Title:

IGNITION COIL / RECTIFIER - 1200//A '84-'85

Ref. No.	Part No.	Description
13	31600-MG9-010	RECTIFIER, REGULATE
14	31605-MG9-000	STAY
15	31606-MG9-000	GUIDE, WIRE HARNESS
16	31610-MG9-931	FLTR, RADIO NOISE '84A, '85A
17	31620-ML8-770	FILTER '84A, '85A
18	31630-ML8-770	FILTER, LINE '84A, '85A
19	32727-PE1-660	BAND, TUBE '84A, '85A
20	35220-MB9-781	CANCEL UNIT - ALL '84
21	35228-MG9-000	STAY, CANCEL UNIT - ALL '84
21	35228-MG9-680	STAY, CANCEL UNIT - ALL '85
22	35229-MB9-781	RUBBER - ALL '84
23	36010-PA6-004	JOINT, THREE-WAY
24	36034-PD1-000	PLUG, SEALING
25	36100-MB1-701	RELAY, FUEL CUT
26	36101-MB1-000	SUSPENSION '85A/I
27	36101-MG9-000	SUSPENSION
28	36130-MC7-003	RELAY COMP., MAIN - ALL '85
29	36135-MG9-000	STAY, MAIN RELAY '84A/I
29	36136-MG9-680	STAY, CONNECTOR '85A/I
30	37640-MB1-701	CHECK UNIT '85A/I
31	38301-MG9-671	RELAY, TURN SIGNAL '84 ALL MODELS
31	38301-MG9-681	RELAY, TURN SIGNAL -ALL '84
32	38301-MG9-672	FLASHER, COMBINATION '84 '85A/I, '84A/I



Catalog Title:

GL1200 '84 GL1200A '84,'85 GL1200I '84,'85 GL1200L '85

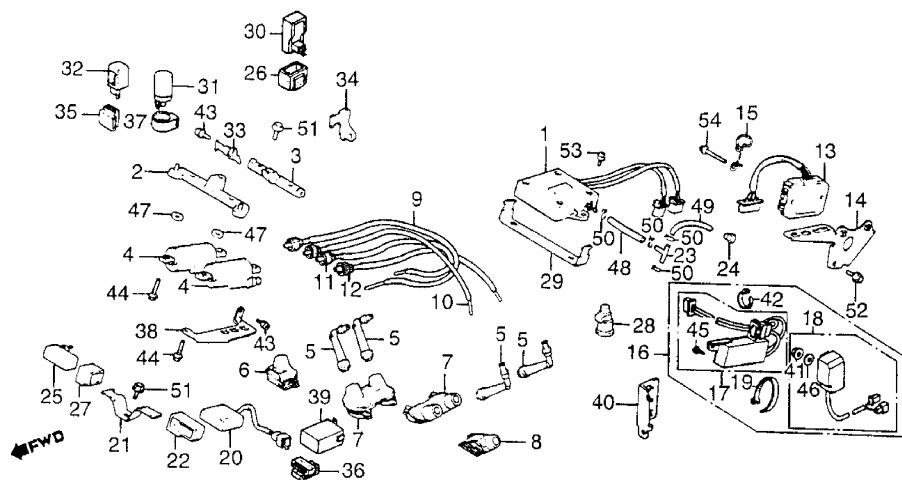
Block No.

F 33

Block Title:

IGNITION COIL / RECTIFIER - 1200//A '84-'85

Ref. No.	Part No.	Description
32	38301-MG9-681	RELAY, TURN SIGNAL '85A/i, '84A/i
33	38305-MG9-000	STAY
34	38305-MG9-870	STAY, RELAY '84A, '85A
35	38306-GE7-000	SUSPENSION - ALL '84
35	38306-GE7-008	SUSPENSION - ALL '84
35	38306-KJ6-740	SUSPENSION '85A/I
35	38306-MG9-680	SUSPENSION '85I
36	38306-ME9-771	SUSPENSION '85I
37	38306-292-000	SUSPENSION - ALL '84
37	38306-MG9-771	SUSPENSION '84A/I
37	38306-MG9-772	SUSPENSION '84A/I
38	38308-MG9-000	HOLDER, CONNECTOR -ALL '84
38	38308-MG9-680	HOLDER, CONNECTOR '85A/I
39	38601-MB3-671	RELAY, POSITION '85A/I
40	83121-MG9-770	HOLDER, CONNECTOR '84A/I '85A/I
41	90105-MG9-871	NUT (5MM) '84A '85A
42	90651-MA6-720	BAND, WIRE HARNESS '84A '85A
43	93892-06012-08	SCREW-WASHER (6X12)
44	93892-06028-1H	SCREW-WASHER (6X28) - ALL '84
44	93892-06028-08	SCREW-WASHER (6X28) '85A '85I
45	93901-22320	SCREW, TAP (3X12) '84A '85A
46	94101-05700	WASHER, PLAIN (5MM) '84A '85A
47	94101-06800	WASHER, PLAIN (6MM)
48	95001-35003-40M	BULK HOSE (3.5X3000)



Catalog Title:

GL1200 '84 GL1200A '84,'85 GL1200I '84,'85 GL1200L '85

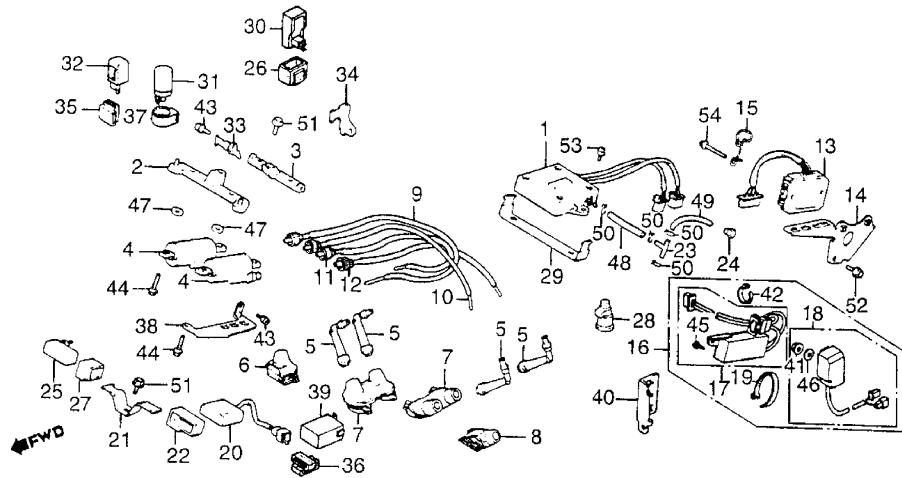
Block No.

F 33

Block Title:

IGNITION COIL / RECTIFIER - 1200//A '84-'85

Ref. No.	Part No.	Description
49	95001-35003-40M	BULK HOSE (3.5X3000)
50	95002-02650	CLIP, TUBE (B6.5)
51	95700-06010-07	BOLT, FLANGE (6X10)
51	95701-06010-07	BOLT, FLANGE (6X10)
52	95700-06010-08	BOLT, FLANGE (6X10)
52	95701-06010-08	BOLT, FLANGE (6X10)
53	95700-06012-00	BOLT, FLANGE (6X12) - ALL '84
53	95701-06012-00	BOLT, FLANGE (6X12) - ALL '84
53	95700-06020-08	BOLT, FLANGE (6X20) '85A/I
53	95701-06020-08	BOLT, FLANGE (6X20) '85A/I
54	95700-06035-00	BOLT, FLANGE (6X35)
54	95701-06035-00	BOLT, FLANGE (6X35)



Catalog Title:

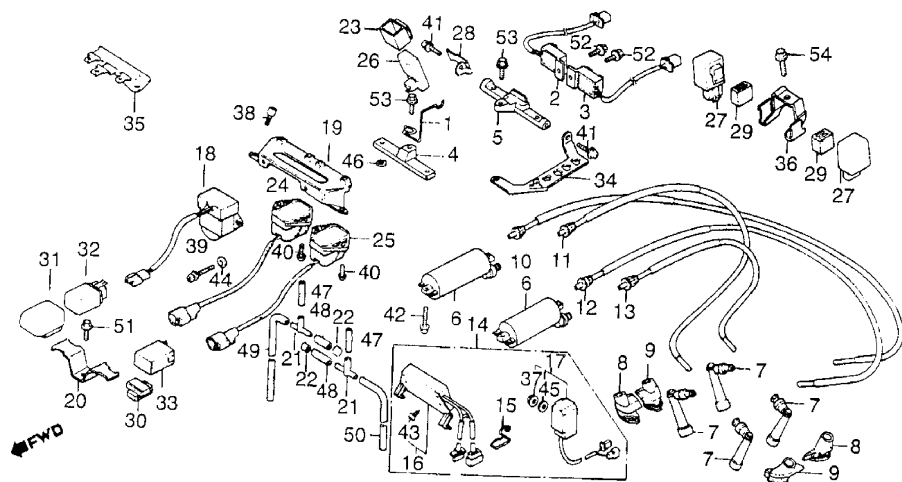
GL1200 '84 GL1200A '84,'85 GL1200I '84,'85 GL1200L '85

Block No.

F 3301

Block Title:

IGNITION COIL / RECTIFIER / SENSOR - GL1200L '85



Ref. No.	Part No.	Description
1	17925-MG9-950	GUIDE
2	30400-MG9-950	UNIT ASSY., R. SPARK
3	30401-MG9-950	UNIT ASSY., L. SPARK
4	30501-MG9-950	STAY A
5	30502-MG9-950	STAY B
6	30510-MA6-013	COIL COMP., IGNITION
7	30700-KR3-670	CAP ASSY.
7	30700-MB9-153	CAP ASSY.
8	30705-MG9-770	SEAL, R. SUPPRESSOR
9	30706-MG9-770	SEAL, L. SUPPRESSOR
10	30750-MG9-P00	CORD COMP H/T
10	30750-MG9-405	CORD COMP H/T
10	30751-MG9-000	CORD COMP H/T
11	30750-MG9-P00	CORD COMP H/T
11	30750-MG9-405	CORD COMP H/T
11	30752-MG9-000	CORD COMP H/T
12	30750-MG9-P00	CORD COMP H/T
12	30750-MG9-405	CORD COMP H/T
12	30753-MG9-000	CORD COMP H/T
13	30750-MG9-P00	CORD COMP H/T
13	30750-MG9-405	CORD COMP H/T
13	30754-MG9-000	CORD COMP H/T
14	31610-MG9-950	FLTR, RADIO NOISE
15	31612-ML8-750	HOLDER (8P)
16	31620-ML8-750	FILTER

Catalog Title:

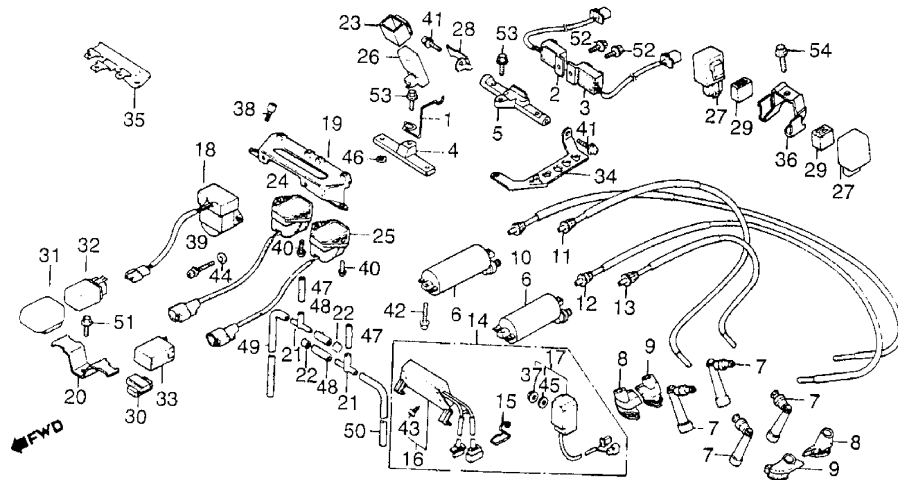
GL1200 '84 GL1200A '84,'85 GL1200I '84,'85 GL1200L '85

Block No.

F 3301

Block Title:

IGNITION COIL / RECTIFIER / SENSOR - GL1200L '85



Ref. No.	Part No.	Description
17	31630-ML8-770	FILTER, LINE
18	35160-MG9-950	SENSOR ASSY., KILL
19	35165-MG9-950	STAY, SENSOR
20	35228-MG9-680	STAY, CANCEL UNIT
21	36010-PA6-004	JOINT, THREE-WAY
22	36034-PD1-000	PLUG, SEALING
23	36101-MB1-000	SUSPENSION
24	36171-MG9-951	SENSOR, R.
24	36172-MG9-951	SENSOR, L.
25	36172-MG9-951	SENSOR, L.
26	37640-MB1-701	CHECK UNIT
27	38301-MG9-672	FLASHER, COMBINATION
28	38305-MG9-950	STAY
29	38306-GE8-008	SUSPENSION
30	38306-ME9-771	SUSPENSION
31	38506-MG9-951	SUSPENSION
31	38506-MG9-952	SUSPENSION
32	38501-GN2-003	RELAY COMP., STARTER
32	38520-MG9-951	RELAY COMP., MAIN
33	38601-MB3-671	RELAY, POSITION
34	50210-MG9-950	HOLDER A, CONNECTOR
35	50212-MG9-950	HOLDER, CONNECTOR
36	50230-MG9-950	HOLDER, RELAY
37	90105-MG9-871	NUT (5MM)
38	90105-460-000	BOLT, SOCKET (6X12)

Catalog Title:

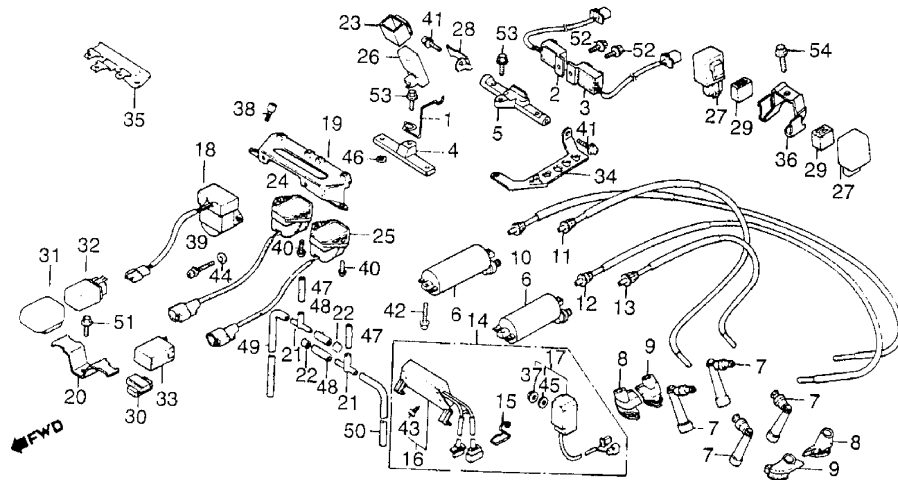
GL1200 '84 GL1200A '84,'85 GL1200I '84,'85 GL1200L '85

Block No.

F 3301

Block Title:

IGNITION COIL / RECTIFIER / SENSOR - GL1200L '85



Ref. No.	Part No.	Description
39	92300-04020-0A	BOLT, SLOT (4X20)
40	93500-05012-0G	SCREW, PAN (6X12)
41	93892-06012-08	SCREW-WASHER (6X12)
42	93892-06028-08	SCREW-WASHER (6X28)
43	93901-22320	SCREW, TAP (3X12)
44	94101-04000	WASHER, PLAIN (4MM)
45	94101-05700	WASHER, PLAIN (5MM)
46	94101-06800	WASHER, PLAIN (6MM)
47	95005-35001-20M	BULK HOSE (3.5X1000)
48	95005-35001-20M	BULK HOSE (3.5X1000)
49	95005-35001-20M	BULK HOSE (3.5X1000)
50	95005-35001-20M	BULK HOSE (3.5X1000)
51	95700-06010-07	BOLT, FLANGE (6X10)
51	95701-06010-07	BOLT, FLANGE (6X10)
52	95700-06012-08	BOLT, FLANGE (6X12)
52	95701-06012-08	BOLT, FLANGE (6X12)
53	95700-06016-00	BOLT, FLANGE (6X16)
53	95701-06016-00	BOLT, FLANGE (6X16)
54	95700-08028-08	BOLT, FLANGE (8X28)
54	95701-08028-08	BOLT, FLANGE (8X28)

Catalog Title:

GL1200 '84 GL1200A '84,'85 GL1200I '84,'85 GL1200L '85

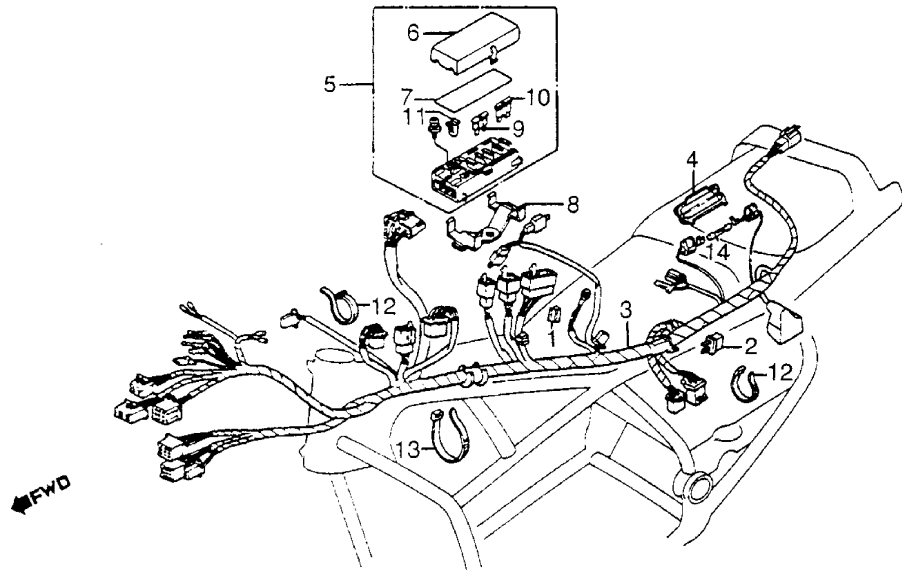
Block No.

F 34

Block Title:

WIRE HARNESS - 1200//A

Ref. No.	Part No.	Description
1	30511-MG9-680	CONDENSER COMP.'85A
2	31700-124-003	RECTIFIER, SILICON
2	31700-124-008	RECTIFIER, SILICON
3	32100-MG9-640	WIRE HARNESS '84
3	32100-MG9-670	WIRE HARNESS '84
3	32100-MG9-870	WIRE HARNESS '84A
3	32100-MG9-930	WIRE HARNESS '85A
3	32100-MG9-770	WIRE HARNESS '84i
3	32100-MG9-680	WIRE HARNESS '85i
4	32125-463-770	CASE, FUSE (5A) - ALL '84
5	38000-MG9-406	BOX ASSY., FUSE - ALL '84
5	38000-MG9-671	BOX ASSY., FUSE - ALL '84
5	38000-MG9-931	BOX ASSY FUSE '85A
5	38000-MG9-405	BOX ASSY FUSE '85A/i
5	38000-MG9-681	BOX ASSY FUSE '85i
6	38210-MG9-005	COVER, FUSE - ALL '84
6	38210-MG9-681	COVER, FUSE'85A/i
7	38215-MG9-671	LABEL, FUSE - ALL '84
7	38215-MG9-931	LABEL, FUSE '85A
7	38215-MG9-681	LABEL, FUSE '85i
8	38220-MG9-000	HOLDER, FUSE BOX - ALL '84
8	38220-MG9-010	HOLDER, FUSE BOX '85A/i
9	38230-SA5-003	FUSE, BLADE (10A) - ALL '84
9	98200-31000	FUSE, BLADE (10A) - ALL '84



Catalog Title:

GL1200 '84 GL1200A '84,'85 GL1200I '84,'85 GL1200L '85

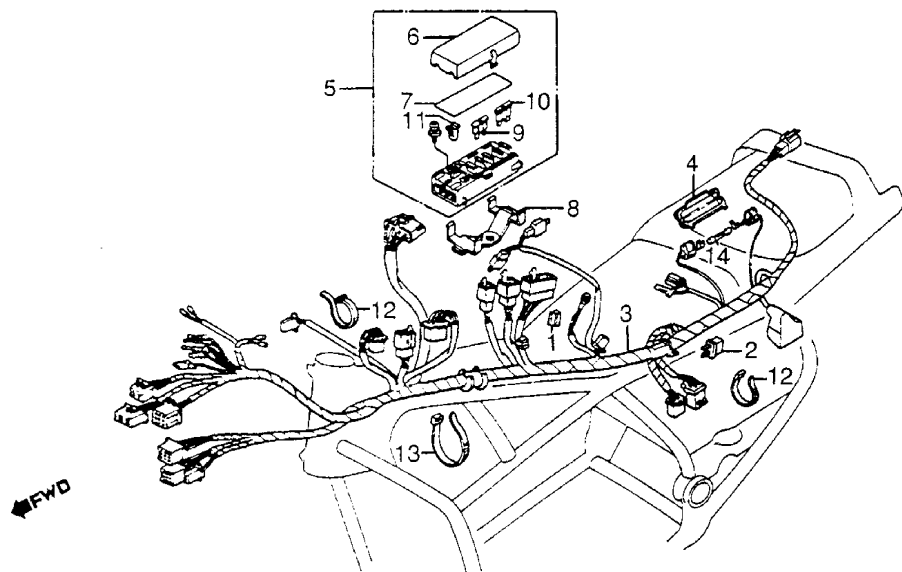
Block No.

F 34

Block Title:

WIRE HARNESS - 1200/I/A

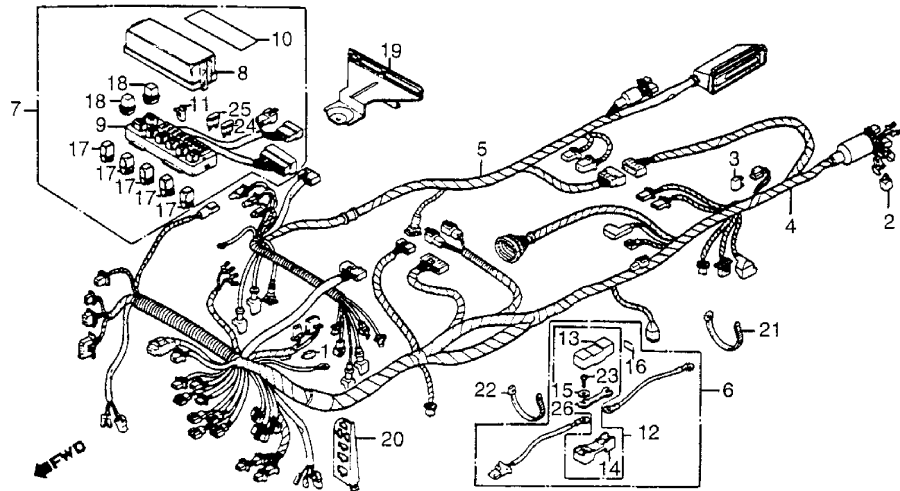
Ref. No.	Part No.	Description
9	98200-31000-0	FUSE, BLADE (10A) - ALL '84
9	98200-31500	FUSE, BLADE (15A) '85A/I
10	38231-SA5-003	FUSE, BLADE (15A) - ALL '84
10	98200-31500	FUSE, BLADE (15A) - ALL '84
10	98200-31000	FUSE, BLADE (10A) '85A/I
11	38235-SA5-004	PULLER, FUSE
12	90650-MA6-720	BAND, WIRE HARNESS '84A/I '85A/I
13	90651-MA6-720	BAND, WIRE HARNESS '84A/I '85A/I
14	98200-21000	FUSE B (10A)



Catalog Title:
GL1200 '84 GL1200A '84,'85 GL1200I '84,'85 GL1200L '85

Block No.
F 3401

Block Title:
WIRE HARNESS - GL1200L '85



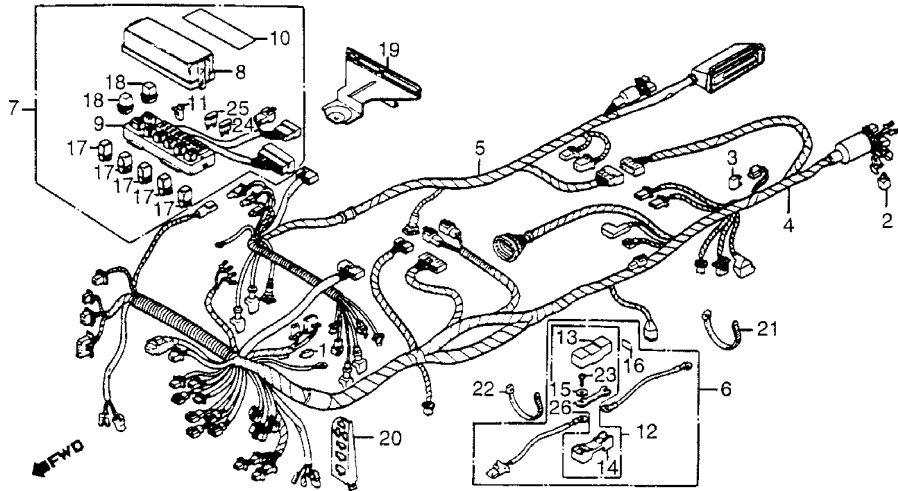
Ref. No.	Part No.	Description
1	30511-MG9-680	CONDENSER COMP.
2	31700-124-003	RECTIFIER, SILICON
2	31700-124-008	RECTIFIER, SILICON
3	31710-371-008	RECTIFIER, SILICON
4	32100-MG9-950	WIRE HARNESS, L.
5	32200-MG9-950	WIRE HARNESS, R.
6	32402-MG9-950	FUSE ASSY., SUB-MAIN
7	38100-MG9-951	BOX, RELAY & FUSE
8	38101-MG9-951	COVER, FUSE BOX
8	38101-ML8-701	COVER
9	38102-MG9-951	BASE COMP.
10	38104-MG9-951	LABEL
11	38235-SA5-004	PULLER, FUSE
12	38250-ME9-005	BOX, MAIN FUSE
13	38251-KJ9-000	COVER
13	38251-MA6-005	COVER
14	38252-ME9-005	BASE
15	38253-422-005	WASHER, PLAIN (3X10)
16	38255-KM4-300	LABEL, FUSE
17	38351-KJ9-003	RELAY, CONTROL (20A)
17	38351-MG9-951	RELAY, CONTROL (20A)
17	38360-762-003	RELAY, CONTROL (20A)
18	38360-MG9-951	RELAY, LIGHTING
18	38360-MN5-003	RELAY COMP. (10A)
19	50197-MG9-950	STAY, CONNECTOR

Catalog Title:
GL1200 '84 GL1200A '84,'85 GL1200I '84,'85 GL1200L '85

Block No.
F 3401

Block Title:
WIRE HARNESS - GL1200L '85

Ref. No.	Part No.	Description
20	83121-MG9-950	HOLDER D, CONNECTOR
21	90650-MA6-720	BAND, WIRE HARNESS
22	90651-MA6-720	BAND, WIRE HARNESS
23	93500-03008-0H	SCREW, PAN (3X8)
24	98200-31000	FUSE, BLADE (10A)
25	98200-31500	FUSE, BLADE (15A)
26	98200-53000	FUSE F (30A)

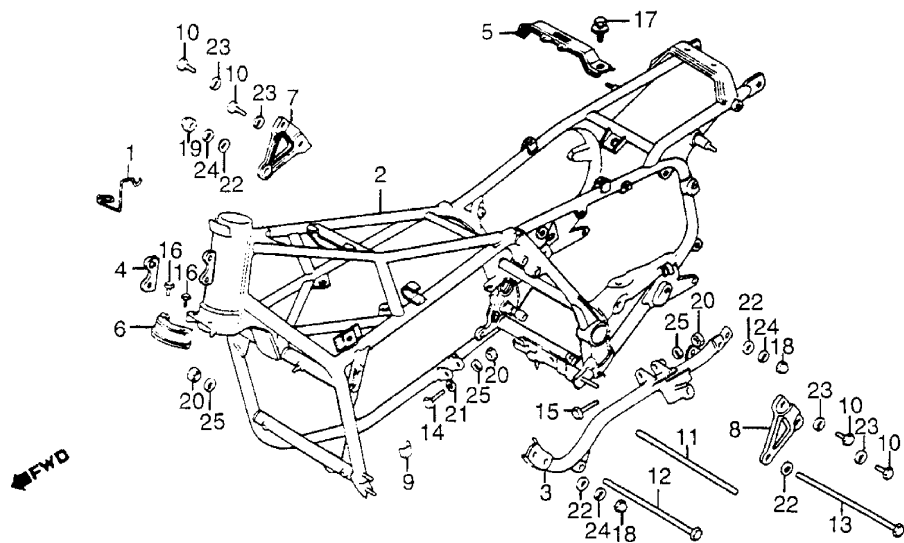


Catalog Title:
GL1200 '84 GL1200A '84,'85 GL1200I '84,'85 GL1200L '85

Block No.
F 35

Block Title:
FRAME

Ref. No.	Part No.	Description
1	17925-MG9-770	GUIDE '85A/I '84A/I
2	50100-MG9-671ZA	FRAME COMP. *NH1* - ALL '84
2	50100-MG9-680	FRAME COMP. *NH1Z*
2	50100-ML8-000ZA	FRAME COMP. *NH1Z*
2	50100-MG9-950	FRAME COMP. *NH1Z* '85L
2	50100-ML8-750ZA	FRAME COMP. *NH1Z* '85L
3	50150-MG9-000ZA	SUB-FRAME COMP. - ALL '84
3	50150-MG9-680	SUB-FRAME COMP. - ALL '84 '85A/I
3	50150-MG9-950	SUB-FRAME COMP. - ALL '84 '85A/I
3	50150-MG9-951	SUB-FRAME COMP.
4	50184-MB0-000	CVR, FAIRING BRACKET '85L
5	50250-MG9-000	PLATE, SEAT CROSS
5	50250-MG9-950	PLATE, SEAT CROSS '85L
6	50341-422-010	CVR, HANDLE STOPPER
7	50351-MG9-640	BRACKET, R. ENG HGR - ALL '84 '85A '85L
7	50351-MG9-000	BRACKET, R. ENG HGR '85i
8	50352-MG9-000	BRACKET, L. ENG HGR - ALL '84
8	50352-MG9-680	BRACKET, L. ENG HGR - ALL '85
9	87509-371-670	LABEL, SHROUD FAN - ALL '85
10	90101-371-980	BOLT, HEX. (8X20)
10	90101-605-000	BOLT, HEX. (8X20)

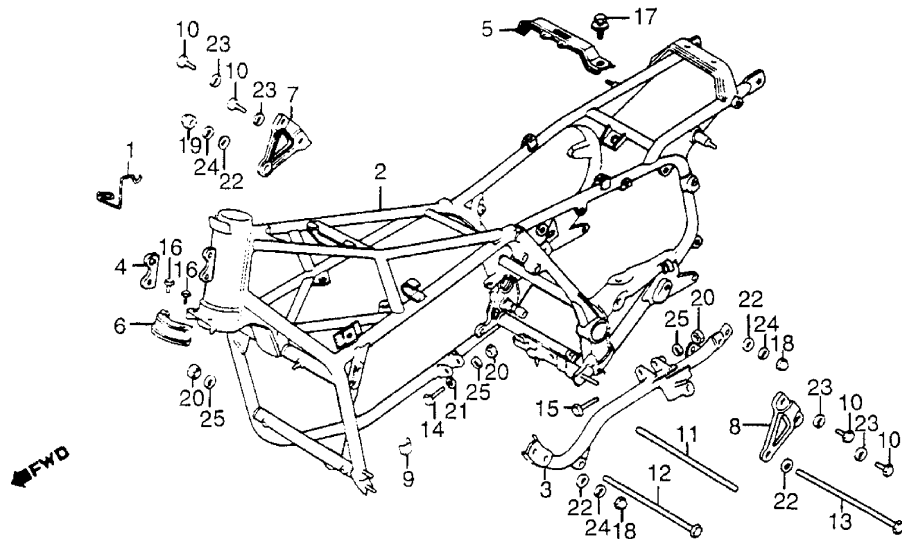


Catalog Title:
GL1200 '84 GL1200A '84,'85 GL1200I '84,'85 GL1200L '85

Block No.
F 35

Block Title:
FRAME

Ref. No.	Part No.	Description
10	92000-08020-0B	BOLT, HEX. (8X20)
10	92000-08020-02	BOLT, HEX. (8X20)
10	92100-08020-0B	BOLT, HEX. (8X20)
11	90152-371-000	BOLT, FR. ENG HGR '84
12	90152-463-770	BOLT, FR. ENG HGR'84A/I
12	90152-MG9-680	BOLT, FR. ENG HGR - ALL '85
13	90153-371-000	BOLT, ENGINE HANGER
14	92200-12065-0A	BOLT, HEX. (12X65)
15	92200-12080-0A	BOLT, HEX. (12X80)
16	93000-04006-0G	BOLT, HEX. (4X6)
17	93482-08012-08	BOLT-WASHER (8X12)
18	94021-10200-0S	NUT, CAP (10MM)
19	94021-10220-0S	NUT, CAP (10MM)
20	94030-12200	NUT, HEX. (12MM) '84
21	94101-12000	WASHER, PLAIN (12MM) - ALL '85 '84A/I
22	94102-10000	WASHER, PLAIN (10MM)
23	94111-08000	WASHER, SPRING (8MM)
24	94111-10000	WASHER (10MM)
25	94111-12000	WASHER (12MM)



Catalog Title:

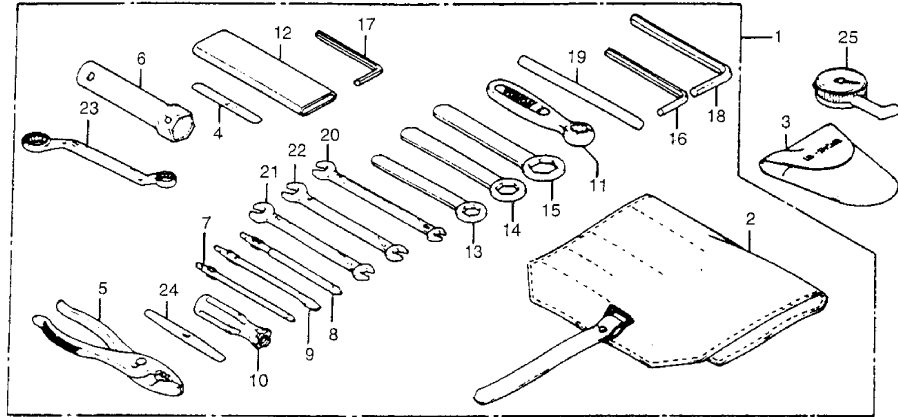
GL1200 '84 GL1200A '84,'85 GL1200I '84,'85 GL1200L '85

Block No.

F 36

Block Title:

TOOLS - GL1200/I '84-'85



Ref. No.	Part No.	Description
1	89010-MG9-000	TOOL SET
2	89101-431-671	BAG, TOOL
3	89102-469-003	BAG, AIR PRES GA
4	89103-371-000	GAUGE (0.7MM)
5	89210-431-670	PLIERS (150)
6	89211-431-671	WRENCH, PLUG BOX
7	89213-431-670	SCREWDRIVER 2
7	89227-422-000	SCREWDRIVER 2
8	89214-431-670	SCREWDRIVER 3
9	89215-431-670	SCREWDRIVER 2
10	89216-431-670	GRIP
11	89217-MB9-000	WRENCH, EYE (14)
12	89217-431-670	HANDLE (120MM)
13	89218-MB9-870	WRENCH, EYE (17)
13	89218-431-670	WRENCH, EYE (17MM)
14	89219-431-670	WRENCH, EYE (19)
15	89220-MG9-000	WRENCH, EYE (27MM)
15	99006-27000	WRENCH, EYE (27MM)
16	89221-371-000	WRENCH, HEX. (6MM)
17	89221-429-000	WRENCH, HEX. (5MM)
18	89222-371-000	WRENCH, HEX. (8MM)
19	89223-431-670	BAR A, HANDLE
20	89224-431-670	WRENCH (8X12)
21	89225-431-670	SPANNER (10X12)
22	89226-431-670	SPANNER (10X14)

Catalog Title:

GL1200 '84 GL1200A '84,'85 GL1200I '84,'85 GL1200L '85

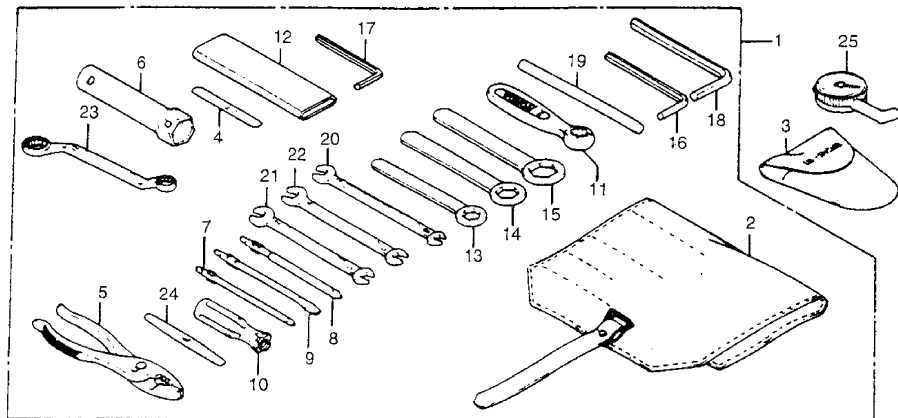
Block No.

F 36

Block Title:

TOOLS - GL1200/I '84-'85

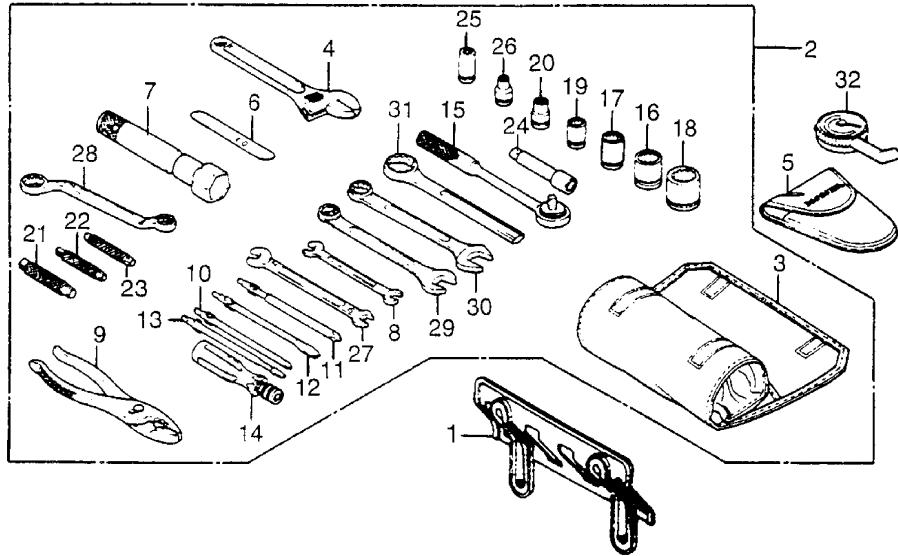
Ref. No.	Part No.	Description
23	89227-431-670	WRENCH, EYE (10X12)
24	89231-463-000	LEVER, SCREWDRIVER
25	89301-463-771	GAUGE, AIR PRESSURE



Catalog Title:
GL1200 '84 GL1200A '84,'85 GL1200I '84,'85 GL1200L '85

Block No.
F 3601

Block Title:
TOOLS - 1200A/L '84-'85

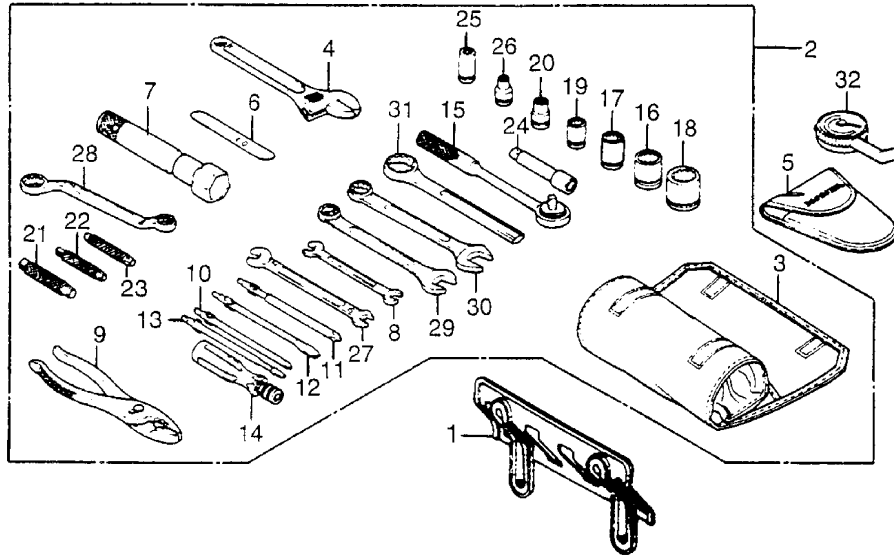


Ref. No.	Part No.	Description
1	81225-MG9-870	PLATE, TOOL SETTING
2	89010-MG9-870	TOOL SET
2	89010-MG9-950	TOOL SET
3	89101-MB9-870	BAG, TOOL
3	89101-ML8-750	BAG, TOOL
3	89101-MG9-950	BAG, TOOL
4	89102-MB9-870	WRENCH, MONKEY
5	89102-469-003	BAG, AIR PRES GA
6	89103-371-000	GAUGE (0.7MM)
7	89216-371-980	WRENCH (18.5)
8	89224-MB9-870	WRENCH (8X7)
9	89231-MB9-870	PLIERS (170)
10	89232-371-980	SCREWDRIVER 2
11	89233-371-980	SCREWDRIVER 3
12	89234-371-980	SCREWDRIVER 2
13	89235-MB9-870	SCREWDRIVER 1
14	89236-MB9-870	GRIP, SCREWDRIVER
14	89236-371-980	GRIP, SCREWDRIVER
15	89240-371-980	HANDLE, RATCHET
16	89241-MB9-870	WRENCH (17MM)
17	89241-371-980	WRENCH (14MM)
18	89242-MB9-870	WRENCH (19MM)
19	89242-371-980	WRENCH (12MM)
20	89243-371-980	WRENCH (10MM)
21	89223-MR7-000	WRENCH, HEX. (8MM)

Catalog Title:
GL1200 '84 GL1200A '84,'85 GL1200I '84,'85 GL1200L '85

Block No.
F 3601

Block Title:
TOOLS - 1200A/L '84-'85



Ref. No.	Part No.	Description
21	89244-371-980	WRENCH, HEX. (8MM)
22	89222-MR7-000	WRENCH, HEX. (6MM)
22	89245-371-980	WRENCH, HEX. (6MM)
23	89221-MR7-000	WRENCH, HEX. (5MM)
23	89246-MG9-870	WRENCH, HEX. (5MM)
24	89246-371-980	BAR, EXTENSION
25	89247-371-980	ADAPTER
26	89248-MB9-870	WRENCH, SOCKET (8MM)
27	89250-371-980	SPANNER (10X12)
28	89252-MB9-870	WRENCH, EYE (10X12)
28	89252-371-980	WRENCH, EYE (10X12)
29	89253-MB9-870	WRENCH, EYE (14MM)
30	89254-MB9-870	WRENCH (17)
31	89255-MG9-870	WRENCH, EYE (27MM)
32	89301-463-771	GAUGE, AIR PRESSURE
32	89301-MG9-951	GAUGE, AIR PRESSURE
32	89301-MN5-003	GAUGE, AIR PRESSURE

Catalog Title:

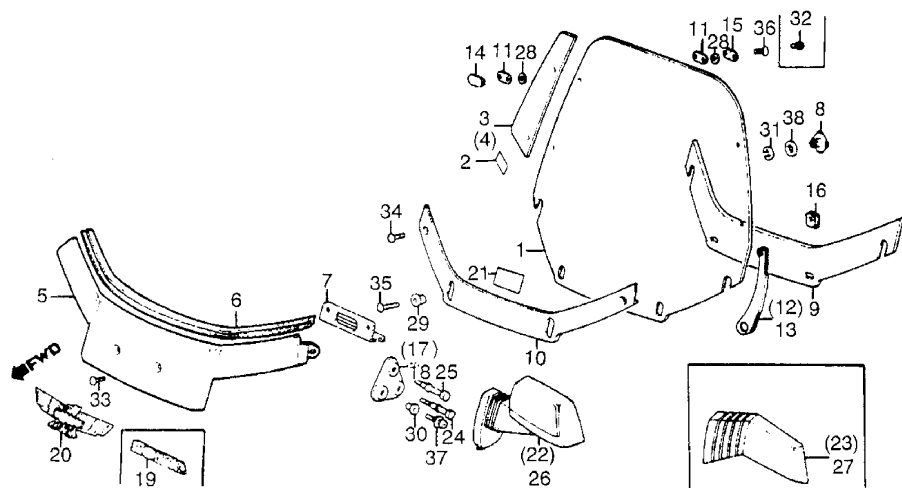
GL1200 '84 GL1200A '84,'85 GL1200I '84,'85 GL1200L '85

Block No.

F 37

Block Title:

WIND SCREEN - 1200I/A/L '84-'85



Ref. No.	Part No.	Description
1	64100-MG9-772	SCREEN, WIND
2	64101-463-891	LABEL, SCREEN
3	64108-MG9-872	SCREEN, R. SIDE
4	64109-MG9-872	SCREEN, L. SIDE
5	64110-MG9-870	GARNISH, SCREEN
6	64111-MG9-770	SEAL, WINDSCREEN
7	64113-MG9-770	STAY, GARNISH
8	64114-MG9-770	NUT
9	64115-MG9-770	RUBBER, SCREEN
10	64116-MG9-770	PLATE
11	64121-MG9-870	RUBBER, SIDE SCREEN
12	64125-MG9-770	PATCH, R. WINDSCREEN
13	64126-MG9-770	PATCH, L. WINDSCREEN
14	64207-MG9-870	PLATE, SIDE SCREEN
15	64208-MG9-770	PLATE
16	64529-MC7-000	NUT, CLIP (6MM)
17	64530-MG9-770	BASE, R. MIRROR
18	64531-MG9-770	BASE, L. MIRROR
19	81128-MG9-770	EMBLEM, TRUNK '84A/I '85A/I
20	81128-MG9-950	EMBLEM, TRUNK '85L
21	87522-MG9-770	LABEL
22	88110-MG9-683	MIRROR, R. '85A/I
22	88110-MG9-953	MIRROR, R. '85L
23	88110-MG9-771	MIRROR, R. '84A/I
24	88114-MG9-770	BOLT, SPECIAL '84A/I

Catalog Title:

GL1200 '84 GL1200A '84,'85 GL1200I '84,'85 GL1200L '85

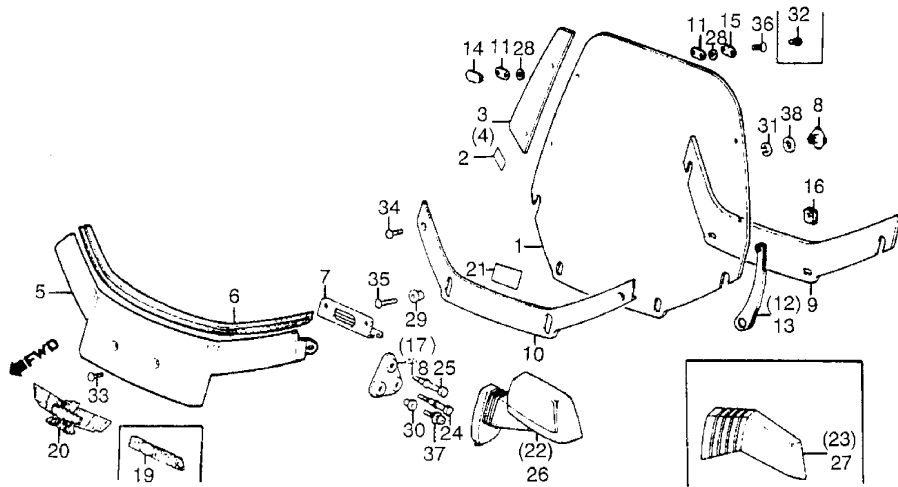
Block No.

F 37

Block Title:

WIND SCREEN - 1200I/A/L '84-'85

Ref. No.	Part No.	Description
24	88114-MG9-680	BOLT, SPECIAL - ALL '85
25	88115-MG9-770	BOLT, SPECIAL
26	88120-MG9-683	MIRROR, L. '85A/I
26	88120-MG9-953	MIRROR, L. '85L
27	88120-MG9-771	MIRROR, L. '84A/I
28	90450-147-000	WASHER, THRUST (8MM)
29	90501-425-000	COLLAR (6.2X12)
30	90522-170-700	COLLAR
31	90601-473-003	E-RING (8MM)
32	93500-04006-0G	SCREW, PAN (4X6) '84A/I
33	93500-05010-0A	SCREW, PAN (5X10)
34	93500-06014	SCREW, PAN (6X14)
34	93500-06014-0A	SCREW, PAN (6X14)
34	93500-06015	SCREW, PAN (6X14)
35	93500-06022-0A	SCREW, PAN (6X22)
36	93600-04006-0G	SCREW, FLAT (4X6) -ALL '85
37	93893-06025-08	SCREW-WASHER (6X25)
38	94102-10000	WASHER, PLAIN (10MM)



Catalog Title:

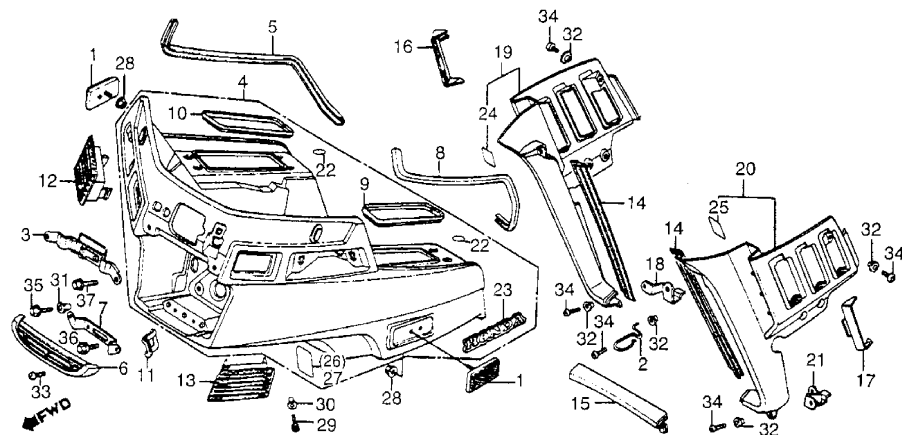
GL1200 '84 GL1200A '84,'85 GL1200I '84,'85 GL1200L '85

Block No.

F 38

Block Title:

FAIRING - 1200I/A - '84-'85



Ref. No.	Part No.	Description
1	33741-ME9-672	REFLECTOR, FR.'84A/I '85A/I
1	33741-ME9-673	REFLECTOR, FR.'84A/I '85A/I
2	61316-MG9-770	GUIDE '84i '85i
3	64112-MG9-770	STAY, GARNISH '84A/I '85A/I
4	64200-MG9-870ZA	FAIRING *R128PA* '84A
4	64200-MG9-870ZB	FAIRING *YR123MU* '84A
4	64200-MG9-870ZC	FAIRING *PB123PA* '84A
4	64200-MG9-930ZA	FAIRING *R137PA* '85A
4	64200-MG9-930ZB	FAIRING *PB140M* '85A
4	64200-MG9-930ZC	FAIRING *YR125M* '85A
4	64200-MG9-770ZA	FAIRING *R114CU* '84I
4	64200-MG9-770ZB	FAIRING *PB123PA* '84I
4	64200-MG9-770ZC	FAIRING *NH136MU* '84I
4	64200-MG9-680ZA	FAIRING *R114CU* '85i
4	64200-MG9-680ZB	FAIRING *NH144M* '85i
4	64200-MG9-680ZC	FAIRING *PB142M* '85i
5	64204-MG9-770ZC	MOLDING, R. *R128PA* '84A
5	64204-MG9-770ZD	MLDG, R. *YR123MU* '84A
5	64204-MG9-770ZB	MLDG, R. *PB123PA* '84A '84I
5	64204-MG9-770ZH	MOLDING, R. *R137PA* '85A
5	64204-MG9-770ZJ	MOLDING, R. *PB140M* '85A
5	64204-MG9-770ZK	MOLDING, R. *YR125M* '85A
5	64204-MG9-770ZE	MLDG, R. *NH136MU* '84I
5	64204-MG9-770ZA	MOLDING, R. *R114CU* '84I '85I
5	64204-MG9-770ZF	MOLDING, R. *NH144M* '85I

Catalog Title:

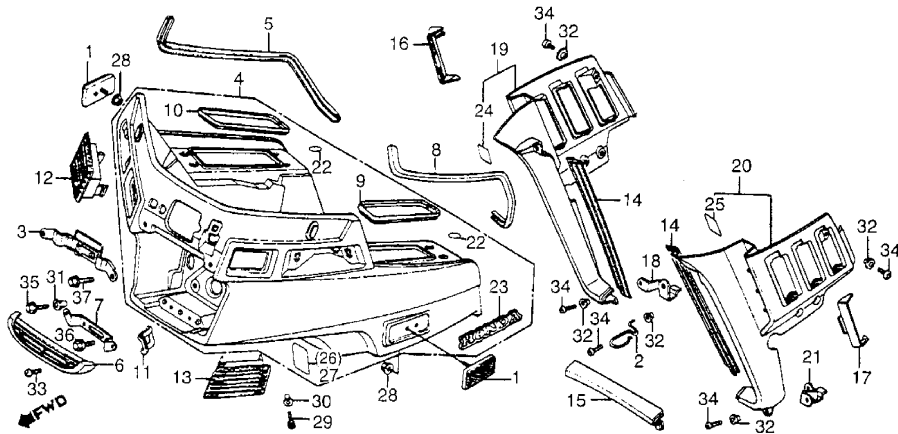
GL1200 '84 GL1200A '84,'85 GL1200I '84,'85 GL1200L '85

Block No.

F 38

Block Title:

FAIRING - 1200I/A - '84-'85



Ref. No.	Part No.	Description
5	64204-MG9-770ZG	MOLDING, R. *PB142M* '85
6	64205-MG9-770ZC	GRILLE, FR. *R128PA* '84A
6	64205-MG9-770ZD	GRL, FR. *YR123MU* '84A
6	64205-MG9-770ZB	GRL, FR. *PB123PA* '84A/I
6	64205-MG9-770ZH	GRILLE, FR. *R137PA* '85A
6	64205-MG9-770ZJ	GRILLE, FR. *PB140M* '85A
6	64205-MG9-770ZK	GRILLE, FR. *YR125M* '85A
6	64205-MG9-770ZE	GRL, FR. *NH136MU* '84I
6	64205-MG9-770ZA	GRILLE, FR. *R114CU* '84I '85I
6	64205-MG9-770ZF	GRILLE, FR. *NH144M* '85I
6	64205-MG9-770ZG	GRILLE, FR. *PB142M* '85I
7	64206-MG9-770	STAY '84A/I '85A/I
8	64214-MG9-770ZC	MOLDING, L. *R128PA* '84 A
8	64214-MG9-770ZD	MLDG, L. *YR123MU* '84A
8	64214-MG9-770ZB	MLDG, L. *PB123PA* '84A '84I
8	64214-MG9-770ZH	MOLDING, L. *R137PA* '85A
8	64214-MG9-770ZJ	MOLDING, L. *PB140M* '85A
8	64214-MG9-770ZK	MOLDING, L. *YR125M* '85A
8	64214-MG9-770ZE	MLDG, L. *NH136MU* '84I
8	64214-MG9-770ZA	MOLDING, L. *R114CU* '84I '85I
8	64214-MG9-770ZF	MOLDING, L. *NH144M* '85I
8	64214-MG9-770ZG	MOLDING, L. *PB142M* '85I
9	64249-MG9-770	RUBBER, L. '84A/I '85A/I
10	64250-MG9-770	RUBBER, R. '84A/I '85A/I
11	64267-MG9-770	GROMMET, FAIRING '84A/I '85A/I

Catalog Title:

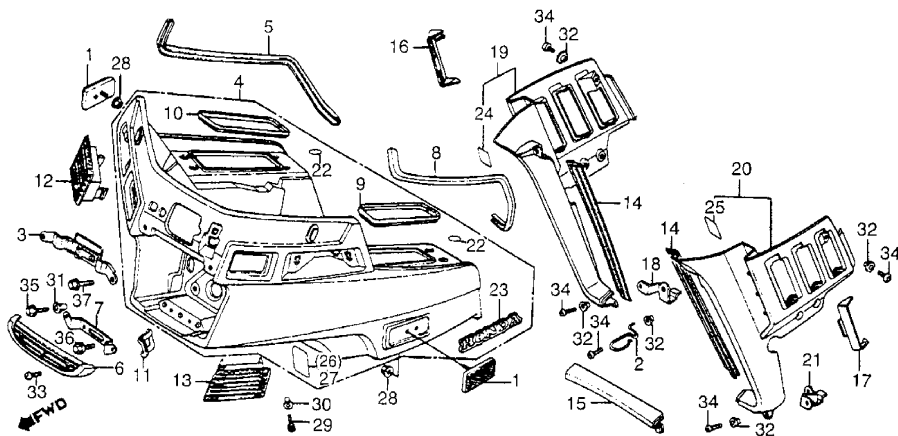
GL1200 '84 GL1200A '84,'85 GL1200I '84,'85 GL1200L '85

Block No.

F 38

Block Title:

FAIRING - 1200I/A - '84-'85



Ref. No.	Part No.	Description
12	64277-MG9-770	LOUVER, R. FR. '84A/I
12	64277-MG9-680	LOUVER, R. FR. '85A/I
13	64278-MG9-770	LOUVER, L. FR. '84A/I
13	64278-MG9-680	LOUVER, L. FR. '85A/I
14	64281-MG9-770	SEAL, COWL (LOWER) '84A/I '85A/I
15	64285-MG9-770ZC	BAR (LOWER) *R128PA* '84A
15	64285-MG9-770ZD	BAR *YR123MU* '84A
15	64285-MG9-770ZB	BAR *PB123PA* '84A/I
15	64285-MG9-770ZH	BAR (LOWER) *R137PA* '85A
15	64285-MG9-770ZJ	BAR (LOWER) *PB140M* '85A
15	64285-MG9-770ZK	BAR (LOWER) *YR125M* '85A
15	64285-MG9-770ZE	BAR *NH136MU* '84I
15	64285-MG9-770ZA	BAR (LOWER) *R114C U* '84I '85I
15	64285-MG9-770ZF	BAR (LOWER) *NH144M* '85I
15	64285-MG9-770ZG	BAR (LOWER) *PB142M* '85I
16	64286-MG9-770ZC	GUIDE, R. *R128PA* '84A
16	64286-MG9-770ZD	GUIDE, R. *YR123MU* '84A
16	64286-MG9-770ZB	GUIDE, R. *PB123PA* '84A/I
16	64286-MG9-770ZH	GUIDE, R. *R137PA* '85A
16	64286-MG9-770ZJ	GUIDE, R. *PB140M* '85A
16	64286-MG9-770ZK	GUIDE, R. *YR125M* '85A
16	64286-MG9-770ZA	GUIDE, R. *R114CU* '84I
16	64286-MG9-770ZE	GUIDE, R. *NH136MU* '84I
16	64286-MG9-770ZF	GUIDE, R. *NH144M* '85I
16	64286-MG9-770ZG	GUIDE, R. *PB142M* '85I

Catalog Title:

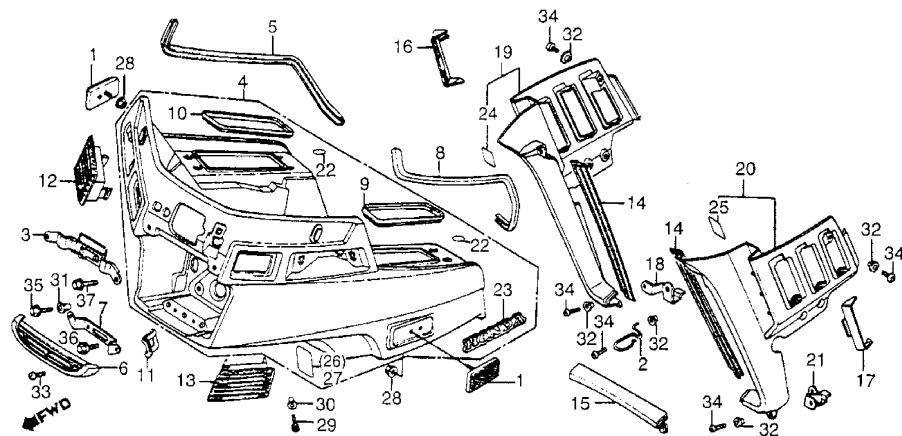
GL1200 '84 GL1200A '84,'85 GL1200I '84,'85 GL1200L '85

Block No.

F 38

Block Title:

FAIRING - 1200I/A - '84-'85



Ref. No.	Part No.	Description
17	64287-MG9-770ZC	GUIDE, L. *R128PA* '84A
17	64287-MG9-770ZD	GUIDE, L. *YR123MU* '84A
17	64287-MG9-770ZB	GUIDE, L. *PB123PA* '84A/I
17	64287-MG9-770ZH	GUIDE, L. *R137PA* '85A
17	64287-MG9-770ZJ	GUIDE, L. *PB140M* '85A
17	64287-MG9-770ZK	GUIDE, L. *YR125M* '85A
17	64287-MG9-770ZE	GUIDE, L. *NH136MU* '84I
17	64287-MG9-770ZA	GUIDE, L. *R114CU* '84I '85I
17	64287-MG9-770ZF	GUIDE, L. *NH144M* '85I
17	64287-MG9-770ZG	GUIDE, L. *PB142M* '85I
18	64291-MG9-000	STAY, R. FR. COWL '84A/I '85A/I
19	64300-MG9-770ZC	COWL, R. *R128PA* '84A
19	64300-MG9-770ZD	COWL, R. *YR123MU* '84A
19	64300-MG9-770ZB	COWL, R. *PB123PA* '84A/I
19	64300-MG9-770ZH	COWL, R. *R137PA* '85A
19	64300-MG9-770ZJ	COWL, R. *PB140M* '85A
19	64300-MG9-770ZK	COWL, R. *YR125M* '85A
19	64300-MG9-770ZE	COWL, R. *NH136MU* '84I
19	64300-MG9-770ZA	COWL, R. *R114CU* '84I '85I
19	64300-MG9-770ZF	COWL, R. *NH144M* '85I
19	64300-MG9-770ZG	COWL, R. *PB142M* '85I
20	64301-MG9-770ZC	COWL, L. *R128PA* '84A
20	64301-MG9-770ZD	COWL, L. *YR123MU* '84A
20	64301-MG9-770ZB	COWL, L. *PB123PA* '84A '84I
20	64301-MG9-770ZH	COWL, L. *R137PA* '85A

Catalog Title:

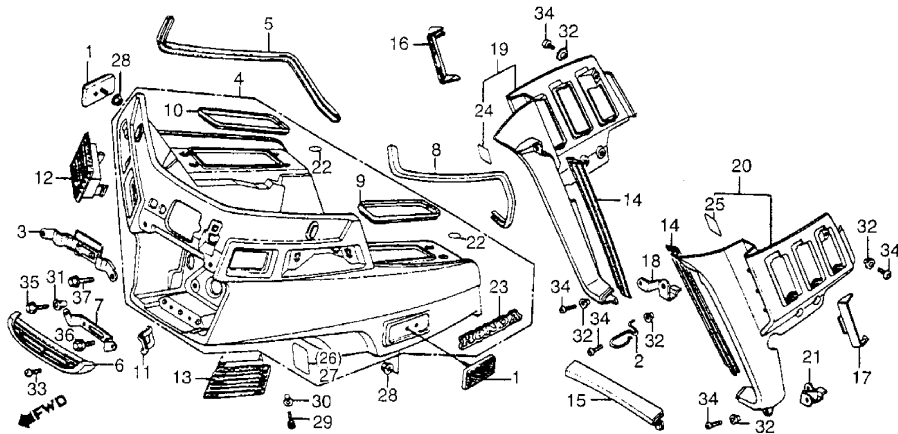
GL1200 '84 GL1200A '84,'85 GL1200I '84,'85 GL1200L '85

Block No.

F 38

Block Title:

FAIRING - 1200I/A - '84-'85



Ref. No.	Part No.	Description
20	64301-MG9-770ZJ	COWL, L. *PB140M* '85A
20	64301-MG9-770ZK	COWL, L. *YR125M* '85A
20	64301-MG9-770ZE	COWL, L. *NH136MU* '84I
20	64301-MG9-770ZA	COWL, L. *R114CU* '84I '85I
20	64301-MG9-770ZF	COWL, L. *NH144M* '85I
20	64301-MG9-770ZG	COWL, L. *PB142M* '85I
21	64391-MG9-000	STAY, L. FR. COWL '84A/I '85A/I
22	75826-605-300	SEAL (30MM) '84A '85A/I
22	91619-SE0-000	SEAL (30MM) '84A '85A/I
23	87108-MB0-820	EMBLEM, R. '84A/I '85A/I
23	87108-MB9-770	EMBLEM, R. '84A/I '85A/I
24	87116-MG9-770	SEAL, R. COWL '84A/I '85A/I
25	87117-MG9-770	SEAL, L. COWL '84A/I '85A/I
26	87118-MG9-770	SEAL, R. '84A/I '85A/I
27	87119-MG9-770	SEAL, L. '84A/I '85A/I
28	90117-371-003	NUT, FLANGE (5MM) '84A/I '85A/I
28	94050-05000	NUT, FLANGE (5MM) '84A/I '85A/I
29	90118-MC7-003	BOLT, SOCKET (6X18) '84A/I '85A/I
29	96700-06018-17	BOLT, SOCKET (6X18) '84A/I '85A/I
30	90120-MG9-770	COLLAR, COWL SETTING '84A/I '85A/I
31	90120-463-770	COLLAR, COWL SETTING '84A/I '85A/I
32	90522-170-700	COLLAR '84A/I '85A/I
33	93500-04010-0G	SCREW, PAN (4X10) '84A/I '85A/I

Catalog Title:

GL1200 '84 GL1200A '84,'85 GL1200I '84,'85 GL1200L '85

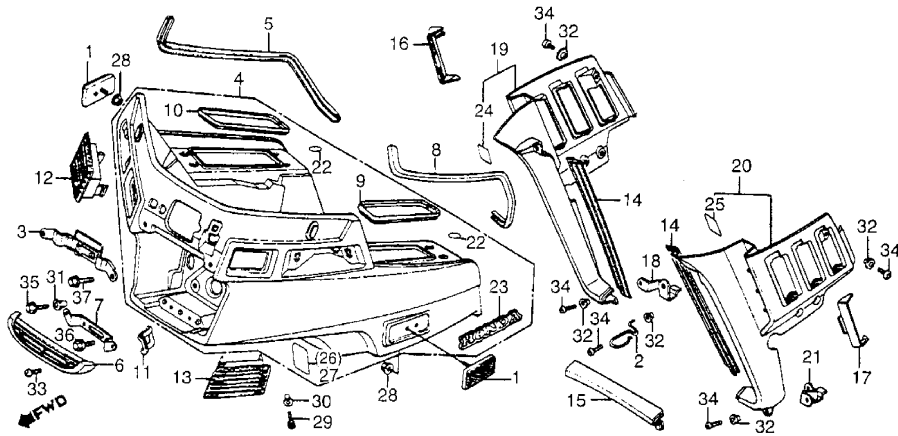
Block No.

F 38

Block Title:

FAIRING - 1200I/A - '84-'85

Ref. No.	Part No.	Description
34	93500-06016-0G	SCREW, PAN (6X16)
35	95700-06020-08	BOLT, FLANGE (6X20)
35	95701-06020-08	BOLT, FLANGE (6X20)
35	95900-06020-08	BOLT, FLANGE (6X20)
36	95701-06022-08	BOLT, FLANGE (6X22)
36	95900-06022-08	BOLT, FLANGE (6X22)
37	95800-06028-08	BOLT, FLANGE (6X28)
37	95801-06028-08	BOLT, FLANGE (6X28)
37	95900-06028-08	BOLT, FLANGE (6X28)



Catalog Title:

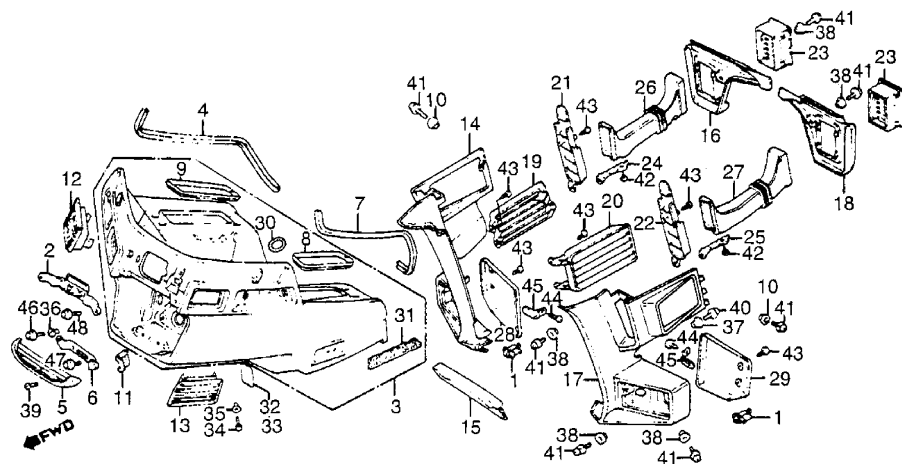
GL1200 '84 GL1200A '84,'85 GL1200I '84,'85 GL1200L '85

Block No.

F 3801

Block Title:

FAIRING - GL1200L '85



Ref. No.	Part No.	Description
1	32913-MG9-950	CLIP, WIRE
2	64112-MG9-950	STAY, GARNISH
3	64200-MG9-950ZA	FAIRING *YR126M*
4	64204-MG9-770ZL	MOLDING, R. *YR126M*
5	64205-MG9-770ZL	GRILLE, FR. *YR126M*
6	64206-MG9-770	STAY
7	64214-MG9-770ZL	MOLDING, L. *YR126M*
8	64249-MG9-770	RUBBER, L.
9	64250-MG9-770	RUBBER, R.
10	64263-MA2-000	COLLAR
11	64267-MG9-770	GROMMET, FAIRING
12	64277-MG9-680	LOUVER, R. FR.
13	64278-MG9-680	LOUVER, L. FR.
14	64280-MG9-950ZA	COWL, R. *YR126M*
15	64285-MG9-950ZA	BAR (LOWER) *YR126M*
16	64288-MG9-950ZA	COVER, R. *YR126M*
17	64290-MG9-950ZA	COWL, L. *YR126M*
18	64298-MG9-950ZA	COVER, L. *YR126M*
19	64312-MG9-950	LOUVER, R. COWL SIDE
20	64313-MG9-950	LOUVER, L. COWL SIDE
21	64314-MG9-950	INLET, R. COWL AIR
22	64315-MG9-950	INLET, L. COWL AIR
23	64320-MG9-950	OUTLET ASSY. *R58L*
23	64320-MG9-950ZA	OUTLET ASSY. *R58L*
24	64326-MG9-950	STAY, R. DUCT

Catalog Title:

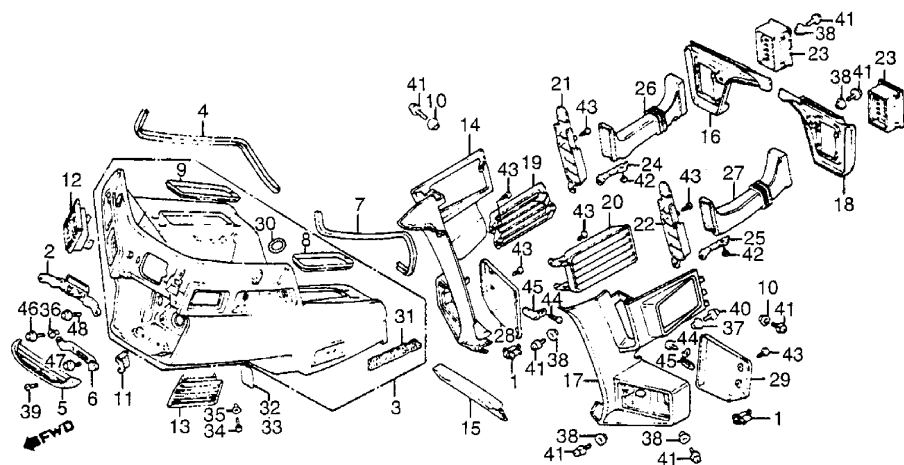
GL1200 '84 GL1200A '84,'85 GL1200I '84,'85 GL1200L '85

Block No.

F 3801

Block Title:

FAIRING - GL1200L '85



Ref. No.	Part No.	Description
25	64327-MG9-950	STAY, L. DUCT
26	64328-MG9-950	DUCT, R. COWL
27	64329-MG9-950	DUCT, L. COWL
28	64330-MG9-950	PANEL, R.
29	64331-MG9-950	PANEL, L.
30	75826-605-300	SEAL (30MM)
30	91619-SE0-000	SEAL (30MM)
31	87108-MB0-820	EMBLEM, R.
31	87108-MB9-770	EMBLEM, R.
32	87118-MG9-770	SEAL, R.
33	87119-MG9-770	SEAL, L.
34	90117-MC7-000	BOLT, SOCKET (8X40)
35	90120-MG9-770	COLLAR, COWL SETTING
36	90120-463-770	COLLAR, COWL SETTING
37	90520-134-000	WASHER
38	90522-170-700	COLLAR
39	93500-04010-0G	SCREW, PAN (4X10)
40	93500-05012-0G	SCREW, PAN (5X12)
41	93500-06016-0G	SCREW, PAN (6X16)
42	93903-24110	SCREW, TAPPING (4X8)
43	93903-24220	SCREW, TAP (4X10)
44	93903-24480	SCREW, TAP (4X16)
45	94591-34000	CLIP (3X40)
46	95700-06020-08	BOLT, FLANGE (6X20)
46	95701-06020-08	BOLT, FLANGE (6X20)

Catalog Title:

GL1200 '84 GL1200A '84,'85 GL1200I '84,'85 GL1200L '85

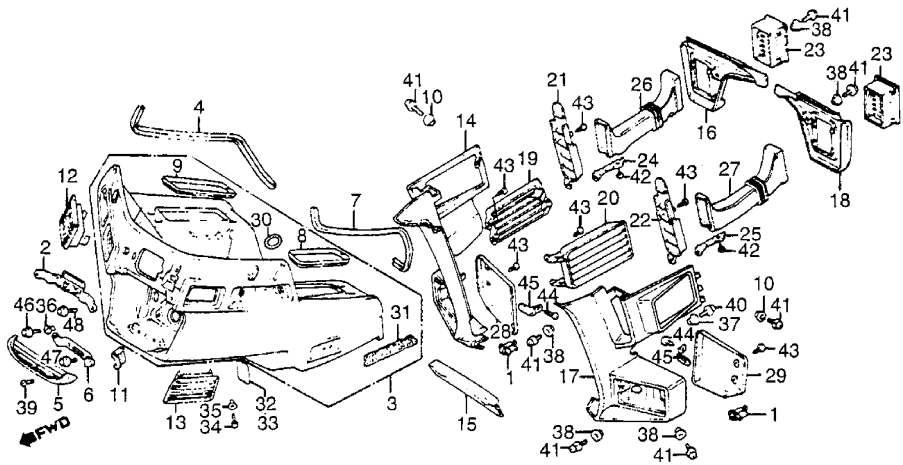
Block No.

F 3801

Block Title:

FAIRING - GL1200L '85

Ref. No.	Part No.	Description
46	95900-06020-08	BOLT, FLANGE (6X20)
47	95701-06022-08	BOLT, FLANGE (6X22)
47	95900-06022-08	BOLT, FLANGE (6X22)
48	95800-06028-08	BOLT, FLANGE (6X28)
48	95801-06028-08	BOLT, FLANGE (6X28)
48	95900-06028-08	BOLT, FLANGE (6X28)



Catalog Title:

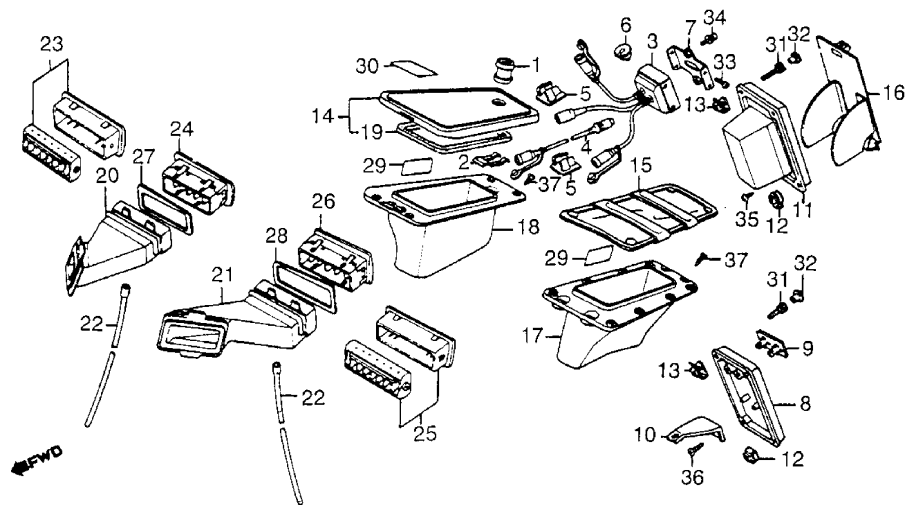
GL1200 '84 GL1200A '84,'85 GL1200I '84,'85 GL1200L '85

Block No.

F 39

Block Title:

FAIRING POCKET - GL1200I/A/L '84-'85

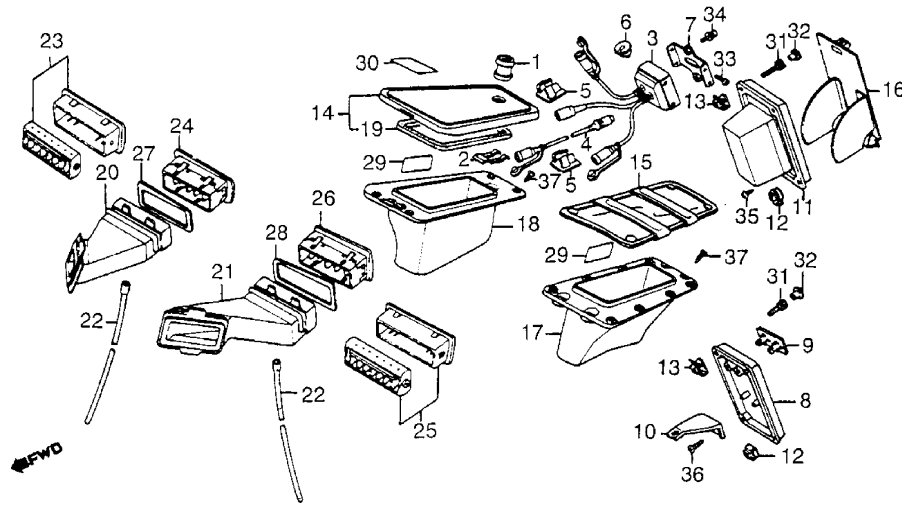


Ref. No.	Part No.	Description
1	37220-439-007	LOCK, FILLER LID - ALL '85 '84A/I
2	37222-463-000	SPRING - ALL '85 '84A/I
3	08118-MG98004	BOX, JUNCTION '85L
3	39240-MG9-811	BOX, JUNCTION '85L
4	39241-MG9-951	LEAD, JUNCTION '85L
5	39242-MG9-951	HOLDER, CONNECTOR '85L
5	39242-MN5-000	HOLDER, CONNECTOR '85L
6	39243-MG9-951	GROMMET '85L
7	39244-MG9-950	STAY '85L
8	64225-MG9-770ZC	COVER COMP. *R128PA* '85 A/I'84A/I
8	64225-MG9-770ZC	COVER COMP. *R128PA* '85L
9	64232-MG9-770	COVER *R128PA* '85A/I' '84I' '85L
9	64232-MG9-770ZC	COVER *R128PA* '85A/I' '84I
10	64233-MG9-870	STAY, AUTO VOLUME '84A' '85A/I' '85L
11	64235-MG9-950	CASE COMP., L. SIDE '85L
12	64238-MG9-770	NUT, CLIP (5MM)
13	64241-463-770	NUT, PLATE
14	64243-MG9-770	CVR (TYPE 3) *NH105*'85A/I' '84I' /A
14	64243-MG9-770ZC	CVR (TYPE 3) *NH105*'85A/I' '84I' /A
14	64243-MG9-770ZA	CVR *R58L* (TYPE1) '85L
14	64243-MG9-950	CVR *R58L* (TYPE1) '85L
15	64245-MG9-770	CVR (TYPE 3) *NH105**'85A/I' '84I' /A

Catalog Title:
GL1200 '84 GL1200A '84,'85 GL1200I '84,'85 GL1200L '85

Block No.
F 39

Block Title:
FAIRING POCKET - GL1200I/A/L '84-'85



Ref. No.	Part No.	Description
15	64245-MG9-770ZC	CVR (TYPE 3) *NH105* '85A/I '84I /A
15	64244-MG9-950	COVER *R58L* (TYPE1) '85L
15	64245-MG9-770ZA	COVER *R58L* (TYPE1) '85L
16	64245-MG9-950	COVER, L. SIDE CASE '85L
17	64246-MG9-770	POCKET, L.
18	64247-MG9-770	POCKET COMP., R.
19	64248-MG9-770	GASKET, R.
20	64275-MG9-770	TUBE, R. AIR DUCT '84A/I
20	64275-MG9-680	TUBE, R. AIR DUCT -ALL '85
21	64276-MG9-770	TUBE, L. AIR DUCT '84A/I
21	64276-MG9-680	TUBE, L. AIR DUCT -ALL '85
22	64412-MG9-770	TUBE, DUCT DRAIN
23	64480-MG9-680	OUTLET, R. *R128PA* '85A/I
23	64480-MG9-680ZC	OUTLET, R. *R128PA* '85A/I
23	64480-MG9-950	OUTLET, R. FRESH AIR '85L
24	64480-MG9-770	OUTLET, R. FRESH AIR '84A/I
25	64490-MG9-680	OUTLET, L. *R128PA* '85A/I
25	64490-MG9-680ZC	OUTLET, L. *R128PA* '85A/I
25	64490-MG9-950	OUTLET, L. FRESH AIR '85L
26	64490-MG9-770	OUTLET, L. FRESH AIR '84A/I
27	64498-MG9-770	RUBBER, R. OUTLET '84A/I
27	64498-MG9-680	RUBBER, R. OUTLET-ALL '85
28	64499-MG9-770	RUBBER, L. OUTLET '84A/I
28	64499-MG9-680	RUBBER, L. OUTLET-ALL '85
29	87523-MG9-770	LABEL '84A/I

Catalog Title:

GL1200 '84 GL1200A '84,'85 GL1200I '84,'85 GL1200L '85

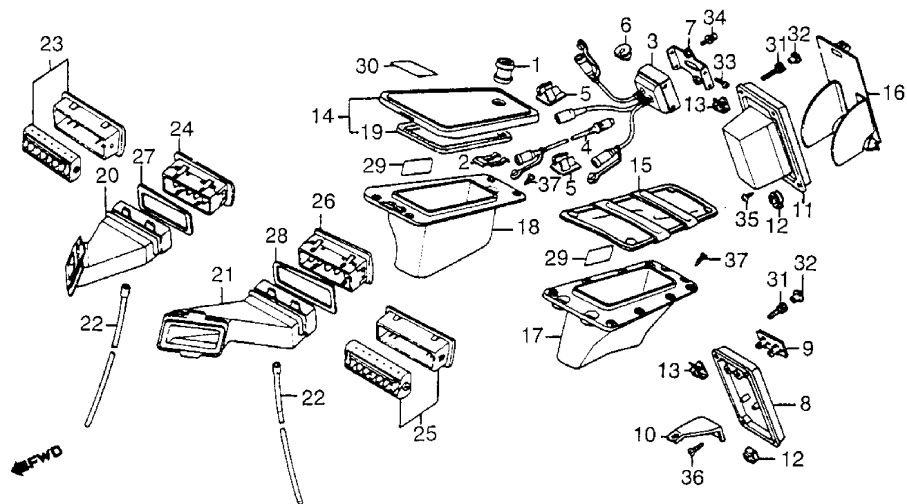
Block No.

F 39

Block Title:

FAIRING POCKET - GL1200I/A/L '84-'85

Ref. No.	Part No.	Description
29	87523-MG9-950	LABEL-ALL '85
30	87524-MG9-770	LABEL, R.
31	90089-MG9-770	BOLT, SOCKET (5X22)
32	91456-MG9-770	CAP (5MM)
33	93500-04006-0A	SCREW, PAN (4X6) '85L
33	93500-04006-1A	SCREW, PAN (4X6) '85L
34	93891-04012-07	SCREW-WASHER (4X12) '85L
34	93891-04012-17	SCREW-WASHER (4X12) '85L
35	93901-24220	SCREW, TAP (4X10) '85L
36	93902-34380	SCREW, TAP (4X12) '84A '85A/I
36	93902-34380	SCREW, TAP (4X12) '85L
37	93903-34480	SCREW, TAP (4X16)



Catalog Title:

GL1200 '84 GL1200A '84,'85 GL1200I '84,'85 GL1200L '85

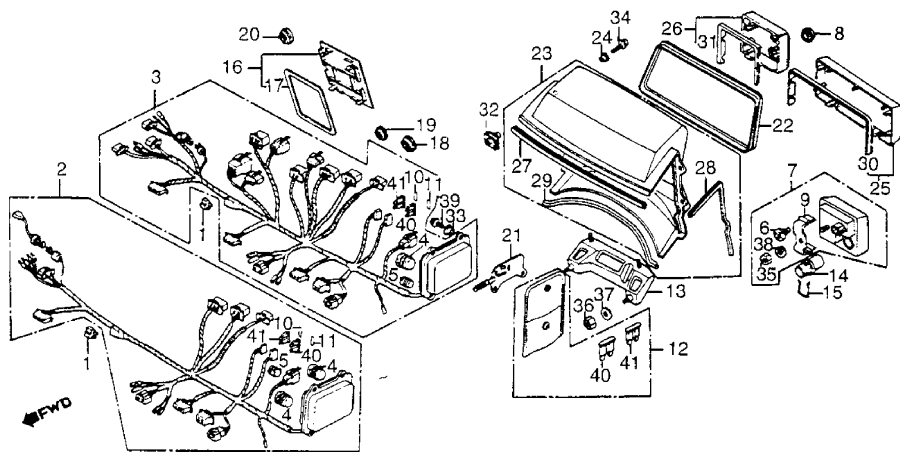
Block No.

F 40

Block Title:

FAIRING WIRE HARNESS - 1200I/A '84-'85

Ref. No.	Part No.	Description
1	31710-371-008	RECTIFIER, SILICON '84A/I
2	32105-MG9-770	SUB-HARNESS, FAIRING '84I
2	32105-MG9-680	SUB-HARNESS, FAIRING '85I
3	32105-MG9-870	SUB-HARNESS, FAIRING '84A
3	32105-MG9-930	SUB-HARNESS, FAIRING '85A
4	32121-MG9-771	SEAL, RUBBER '84I '85I
5	32122-MG9-771	SEAL, RUBBER '84A/I '85A/I
6	34908-MJ3-003	BULB, WEDGE BASE '84A '85A '85L
7	37460-MG9-871	CLOCK ASSY., L.C.D.'84A
7	37460-MG9-931	CLOCK ASSY., L.C.D. '85A '85L
8	37461-MJ3-006	RUBBER, BUSH '84I '85I
9	37462-MG9-930	SPRING '85A '85L
10	38224-MG9-770	LABEL, FUSE (20A)
11	38225-MG9-770	LABEL, FUSE (7.5A)
12	38240-MG9-770	FUSE ASSY., SPARE
13	39340-MG9-770	HOLDER COMP., METER '85I '84I
14	39351-MG9-871	LOCK ASSY., RADIO '84A '85A
15	39352-MG9-870	SPRING '84A
16	52810-MG9-770	PANEL *NH136MU* '84I '85I
16	52810-MG9-770ZB	PANEL *NH136MU* '84I '85I
17	52811-MG9-770	RUBBER, PANEL '84I '85I



Catalog Title:

GL1200 '84 GL1200A '84,'85 GL1200I '84,'85 GL1200L '85

Block No.

F 40

Block Title:

FAIRING WIRE HARNESS - 1200I/A '84-'85

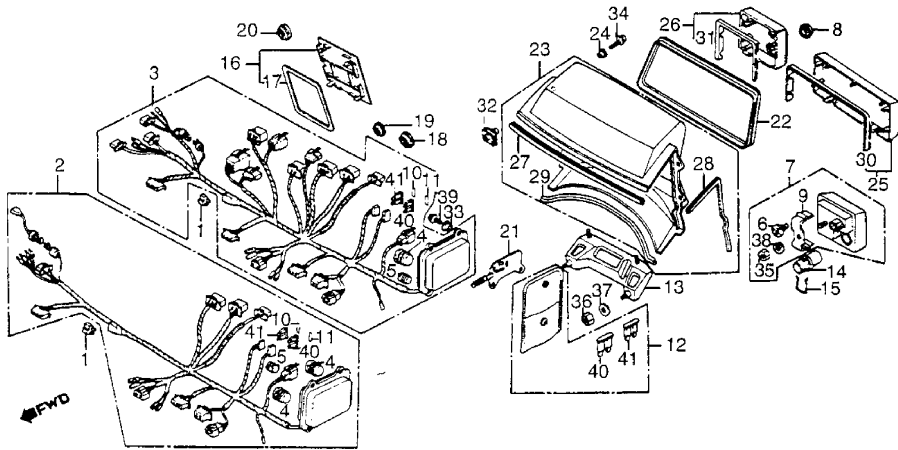
Ref. No.	Part No.	Description
----------	----------	-------------

18	64234-MG9-770	GROMMET, AIR VALVE '84I '85I
19	64235-MG9-770	GROMMET '84I '85I
20	64236-MG9-770	GROMMET
21	64237-MG9-770	PLATE, FUSE SETTING

22	64239-MG9-770	RUBBER, METER PANEL '84A '85A
22	64239-MG9-771	RUBBER, METER PANEL

23	64240-MG9-770	PANEL*NH-105*(TYPE3) '84A '85A
----	---------------	--------------------------------

23	64240-MG9-771	PANEL*NH-105*(TYPE3)
----	---------------	----------------------



Catalog Title:

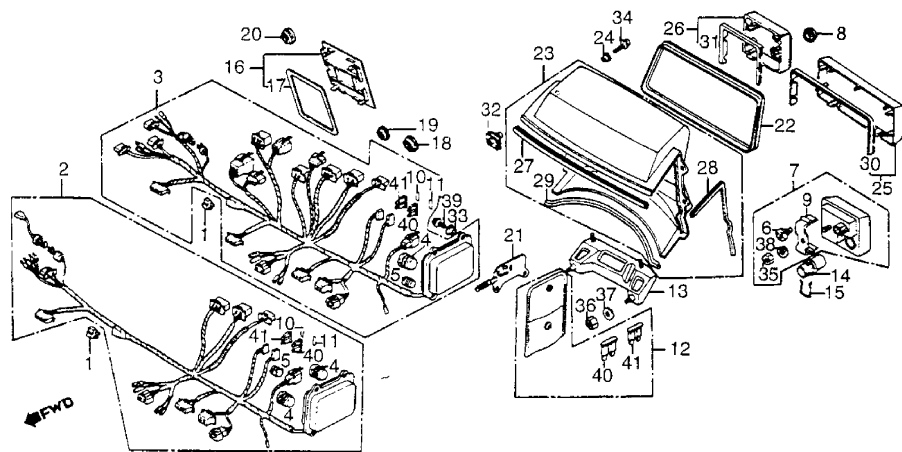
GL1200 '84 GL1200A '84,'85 GL1200I '84,'85 GL1200L '85

Block No.

F 40

Block Title:

FAIRING WIRE HARNESS - 1200I/A '84-'85



Ref. No.	Part No.	Description
23	64240-MG9-771ZC	PANEL*NH-105*(TYPE3)
24	64243-MG9-870	COLLAR, METER PANEL '84A '85A/I
25	64268-MG9-770	PANEL, RADIO BLIND '85A/I '84I
26	64269-MG9-770	PANEL, CLOCK BLIND '84I '85I
27	64271-MG9-770	RUBBER, METER PANEL
28	64272-MG9-770	RUBBER, METER PANEL
29	64273-MG9-770	RUBBER, METER PANEL
30	64282-MG9-770	RUBBER '85A/I '84I
31	64283-MG9-770	RUBBER '85I '84I
32	64522-MG9-770	NUT, CLIP '85I '84I
33	90402-GB0-900	WASHER
34	93500-04025-0A	SCREW, PAN (4X25)
35	94001-05000-0S	NUT, HEX. (5MM) '84A '85A
36	94001-06000-0S	NUT, HEX. (6MM) '85I '84I
36	94001-06200-0S	NUT, HEX. (6MM) '85I '84I
37	94101-06000	WASHER, PLAIN (6MM) '85I '84I
37	94101-06080	WASHER, PLAIN (6MM) '85I '84I
37	94101-06800	WASHER, PLAIN (6MM) '85I '84I
38	94111-05800	WASHER, SPRING (5MM) '84A '85A
39	95800-06012-08	*95700-06012-08 '84A/I
39	95800-06012-18	*95700-06012-08 '84A/I

Catalog Title:

GL1200 '84 GL1200A '84,'85 GL1200I '84,'85 GL1200L '85

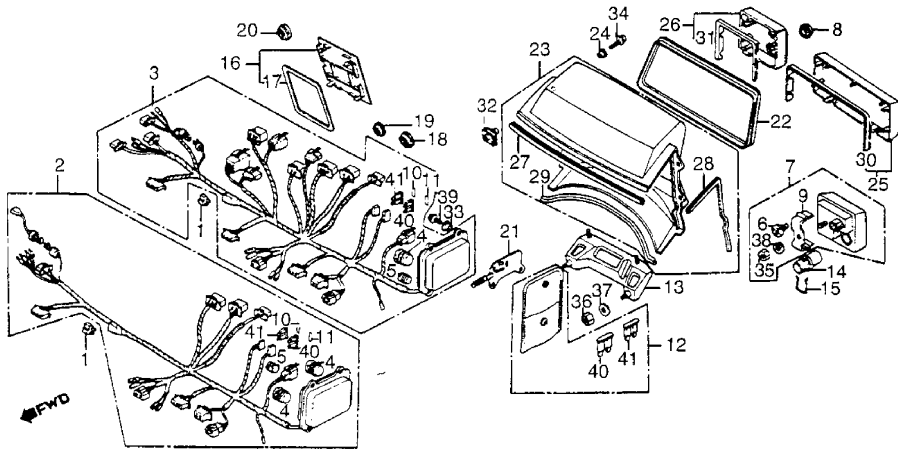
Block No.

F 40

Block Title:

FAIRING WIRE HARNESS - 1200I/A '84-'85

Ref. No.	Part No.	Description
39	95701-06012-07	BOLT, FLANGE (6X12) '85A/I
40	98200-30750	FUSE, BLADE (7.5A)
41	98200-32000	FUSE, BLADE (20A)



Catalog Title:

GL1200 '84 GL1200A '84,'85 GL1200I '84,'85 GL1200L '85

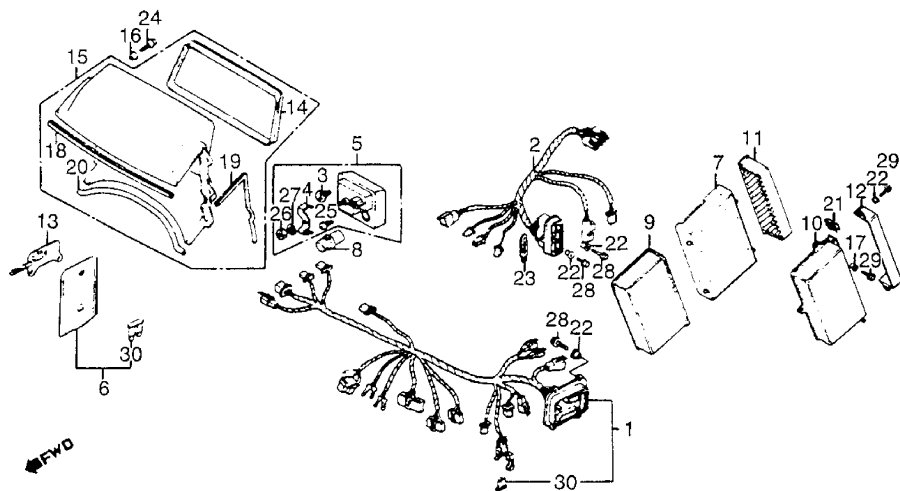
Block No.

F 4001

Block Title:

FAIRING WIRE HARNESS - GL1200L '85

Ref. No.	Part No.	Description
1	32105-MG9-950	SUB-WIRE HARNESS, L.
2	32111-MG9-950	SUB-WIRE HARNESS, R.
3	34908-MJ3-003	BULB, WEDGE BASE
4	37462-MG9-951	SPRING
5	37480-MG9-951	VOLTMETER ASSY.
6	38240-MG9-950	FUSE ASSY., SPARE
7	38600-MG9-951	CONTROLLER, RR.
7	38600-ML8-751	CONTROLLER, RR.
8	39351-MG9-871	LOCK ASSY., RADIO
9	52551-MG9-950	COVER, COIN POCKET
10	52552-MG9-950	BOX, COIN POCKET
11	52554-MG9-950	RUBBER (UPPER)
12	52555-MG9-950	COVER, COIN POCKET
13	64237-MG9-770	PLATE, FUSE SETTING
14	64239-MG9-770	RUBBER, METER PANEL
14	64239-MG9-771	RUBBER, METER PANEL
15	64240-MG9-950	PANEL, METER
16	64243-MG9-870	COLLAR, METER PANEL
17	64263-MA2-000	COLLAR
18	64271-MG9-770	RUBBER, METER PANEL
19	64272-MG9-770	RUBBER, METER PANEL
20	64273-MG9-770	RUBBER, METER PANEL
21	64529-MC7-000	NUT, CLIP (6MM)
22	90402-GB0-900	WASHER
23	91406-671-000	CLIP, WIRE HARNESS



Catalog Title:

GL1200 '84 GL1200A '84,'85 GL1200I '84,'85 GL1200L '85

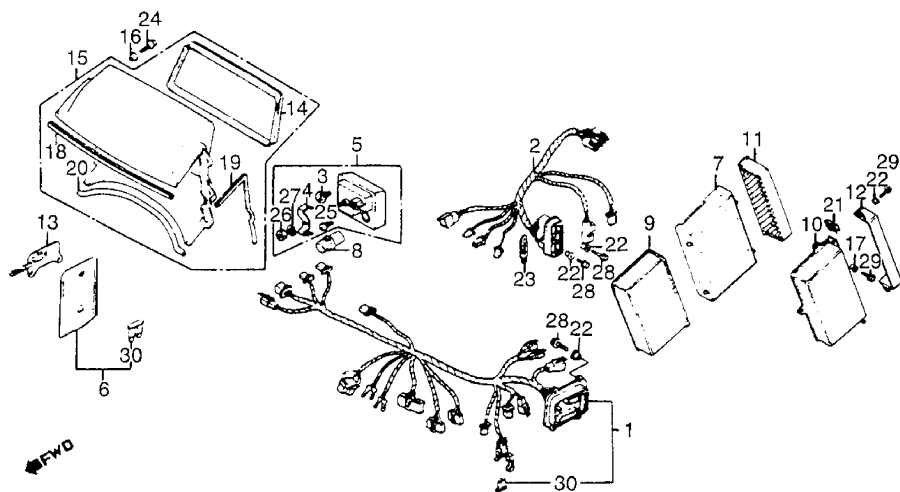
Block No.

F 4001

Block Title:

FAIRING WIRE HARNESS - GL1200L '85

Ref. No.	Part No.	Description
24	93891-04025-00	SCREW-WASHER (4X25)
25	93903-22310	SCREW, TAP (3X12)
26	94001-05000-0S	NUT, HEX. (5MM)
27	94111-05800	WASHER, SPRING (5MM)
28	95700-06012-07	BOLT, FLANGE (6X12)
28	95700-06012-17	BOLT, FLANGE (6X12)
28	95701-06012-07	BOLT, FLANGE (6X12)
29	95700-06016-00	BOLT, FLANGE (6X16)
29	95701-06016-00	BOLT, FLANGE (6X16)
30	98200-30750	FUSE, BLADE (7.5A)



Catalog Title:

GL1200 '84 GL1200A '84,'85 GL1200I '84,'85 GL1200L '85

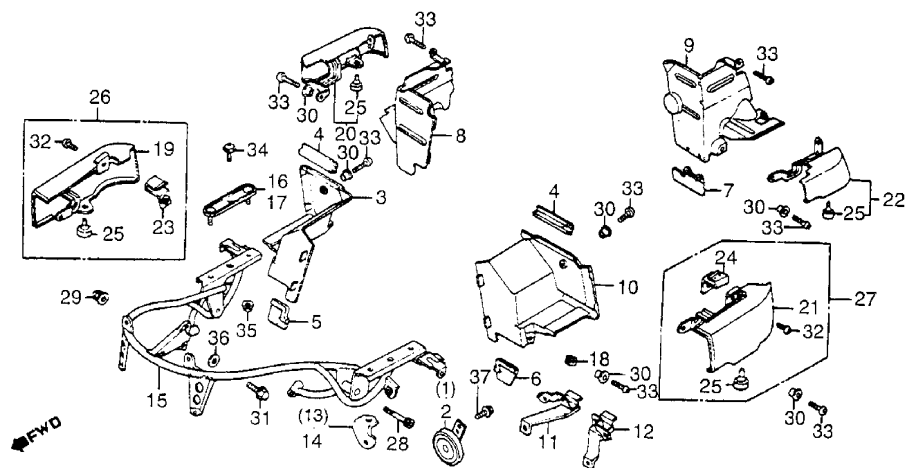
Block No.

F 41

Block Title:

COWL STAY - 1200I/A/L '84-'85

Ref. No.	Part No.	Description
1	38110-MB6-671	HORN COMP. (HIGH) 1200I/A/ '84-'85
1	38110-MC8-000	HORN COMP. (HIGH) 1200I/A/ '84-'85
1	38110-ML8-711	HORN COMP. (HIGH) 1200I/A/ '84-'85
1	38110-KB4-621	HORN ASSY. (HIGH) '85L
1	38110-MG9-951	HORN COMP. (HIGH)'85L
1	38110-MJ0-681	HORN ASSY. (HIGH)'85L
2	38120-MB6-831	HORN COMP. (LOW) 1200I/A/ '84-'85
2	38120-MG9-701	HORN COMP. (LOW) 1200I/A/ '84-'85
2	38120-MG9-702	HORN COMP. (LOW) 1200I/A/ '84-'85
2	38120-MG9-771	HORN COMP. (LOW) 1200I/A/ '84-'85
2	38120-MT3-000	HORN COMP. (LOW) 1200I/A/ '84-'85
2	38120-MC5-631	HORN COMP. (LOW) '85L
2	38120-MG9-951	HORN COMP. (LOW) '85L
3	64288-MG9-770	CVR, R. COWL (LOWER) 1200I/A/ '84-'85
4	64292-MG9-770	RUBBER, SEAL 1200I/A/ '84-'85
5	64294-MG9-770	RUBBER, R. (INNER) 1200I/A/ '84-'85
6	64295-MG9-770	RUBBER, L. (INNER) 1200I/A/ '84-'85
7	64295-MG9-950	RUBBER, L. PLATE '85L
8	64296-MG9-950	PLATE, R. COWL '85L
9	64297-MG9-950	PLATE, L. COWL '85L
10	64298-MG9-770	CVR, L. COWL (LOWER) 1200I/A/ '84-'85
11	64316-MG9-950	STAY, R. COWL '85L
11	64316-MG9-951	STAY, R. COWL '85L
12	64317-MG9-950	STAY, L. COWL '85L
12	64317-MG9-951	STAY, L. COWL '85L



Catalog Title:

GL1200 '84 GL1200A '84,'85 GL1200I '84,'85 GL1200L '85

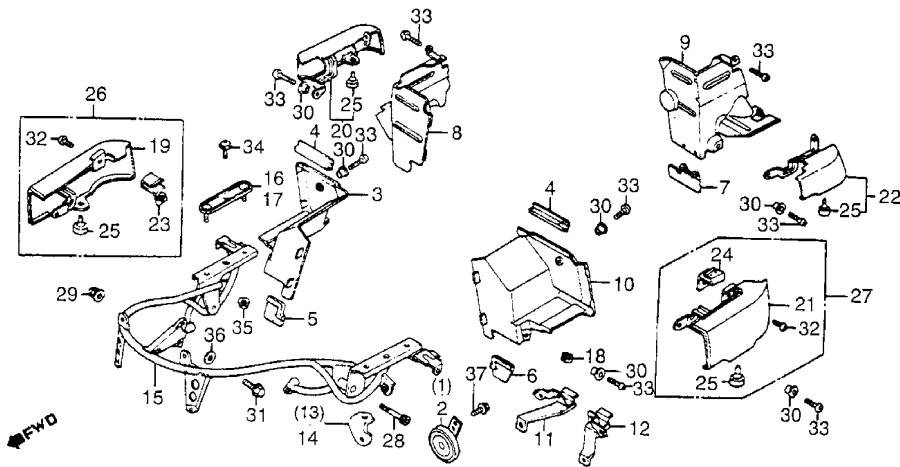
Block No.

F 41

Block Title:

COWL STAY - 1200I/A/L '84-'85

Ref. No.	Part No.	Description
13	64506-MG9-770	STAY, R. COWL 1200I/A/ '84-'85
14	64507-MG9-770	STAY, L. COWL 1200I/A/ '84-'85
15	64510-MG9-770	STAY COMP., COWL 1200I/A/ '84-'85
15	64510-MG9-950	STAY COMP., COWL '85L
15	64510-MG9-951	STAY COMP., COWL '85L
16	64512-MG9-000	PLATE, COWL NUT 1200I/A/L '84-'85
17	64512-MG9-950	NUT, R. PLATE '85L
18	64529-MC7-000	NUT, CLIP (6MM) 1200I/A/L '84-'85
19	64540-MG9-770	INLET, R. AIR 1200I/A/ '84-'85
20	64540-MG9-950	INLET, R. AIR '85L
21	64541-MG9-770	INLET, L. AIR 1200I/A/ '84-'85
22	64541-MG9-950	INLET, L. AIR '85L
23	64542-MG9-770	NUT, CLIP (5MM) 1200I/A/ '84-'85
24	64543-MG9-770	NUT, CLIP (5MM) 1200I/A/ '84-'85
25	64544-MG9-770	RUBBER, INLET 1200I/A/L '84-'85
26	64545-MG9-770	INLET ASSY., R. AIR 1200I/A/ '84-'85
27	64546-MG9-770	INLET ASSY., L. AIR 1200I/A/ '84-'85
28	90117-MC7-000	BOLT, SOCKET (8X40) 1200I/A/L '84-'85
29	90443-107-000	NUT, CAP (8MM) 1200I/A/L '84-'85
30	90522-170-700	COLLAR 1200I/A/L '84-'85
31	92500-08022-0A	BOLT, CAP (8X22) 1200I/A/L '84-'85
31	92501-08022-0A	BOLT, CAP (8X95) 1200I/A/L '84-'85
32	93500-05008-0A	SCREW, PAN (5X8) 1200I/A/ '84-'85
33	93500-06016-0G	SCREW, PAN (6X16) 1200I/A/ '84-'85



Catalog Title:

GL1200 '84 GL1200A '84,'85 GL1200I '84,'85 GL1200L '85

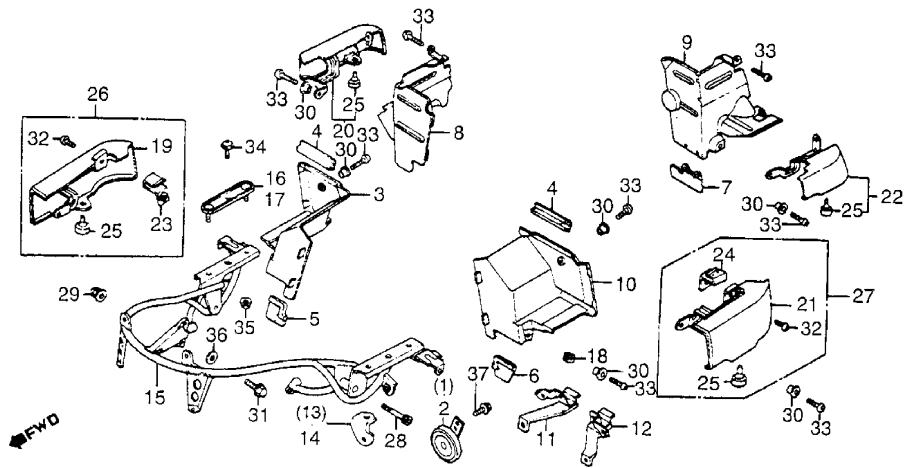
Block No.

F 41

Block Title:

COWL STAY - 1200I/A/L '84-'85

Ref. No.	Part No.	Description
33	93500-06016-0G	SCREW, PAN (6X16) '85L
34	93891-04012-00	SCREW-WASHER (4X12) 1200I/A/L '84-'85
35	94050-06080	NUT, FLANGE (6MM) 1200I/A/L '84-'85
36	94102-08000	WASHER, PLAIN (8MM) 1200I/A/L '84-'85
37	95700-06010-07	BOLT, FLANGE (6X10) 1200I/A/L '84-'85
37	95701-06010-07	BOLT, FLANGE (6X10) 1200I/A/L '84-'85



Catalog Title:

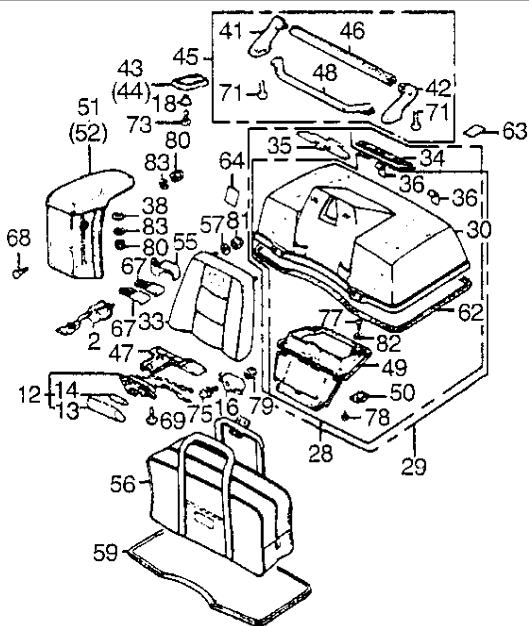
GL1200 '84 GL1200A '84,'85 GL1200I '84,'85 GL1200L '85

Block No.

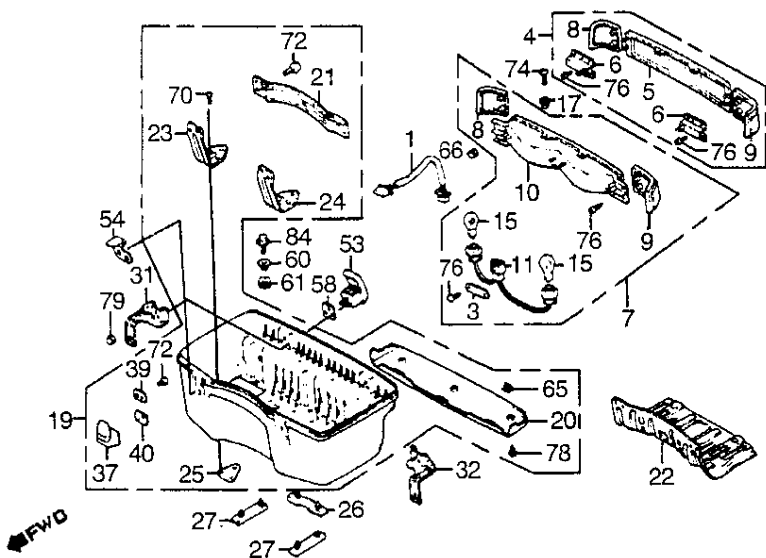
F 42

Block Title:

REAR TRUNK



Ref. No.	Part No.	Description
1	32106-MG9-870	SUB-WIRE '84A '85A '85L
2	32910-MG9-951	BUSH, WIRE '85L
3	33507-SB0-671	STAY '84A '85A/I '85L
4	33750-MG9-771	GARNISH, RR. TRUNK '84I '85I
5	33753-MG9-771	GARNISH COMP. '84I '85I
6	33756-MG9-771	STAY COMP., RR. '84I '85I
7	33801-MG9-871	TAILLIGHT, TRUNK '84A '85A
7	33801-MG9-951	TAILLIGHT, TRUNK '85L
8	33804-MG9-771	REFLECTOR ASSY.
9	33805-MG9-771	REFLECTOR ASSY.
10	33807-MG9-871	TAILLIGHT SUB-ASSY. '84A '85A
10	33807-MG9-951	TAILLIGHT SUB-ASSY. '85L
11	33809-MG9-871	SOCKET, TAILLIGHT '84A '85A '85L
12	34251-MG9-951	LIGHT ASSY., TRUNK '85L
13	34260-538-003	LENS '85L
14	34295-SD4-003	BULB (12V5W.K) '85L
14	34295-538-003	BULB (12V3.4W) '85L
15	34906-MG9-771	BULB, TAILLIGHT '84A '85A '85L
16	35340-MA5-671	SWITCH, FR. STOP '85L
17	80112-443-850	COLLAR
18	80114-KG7-000	COLLAR, RR. FENDER '85L
19	81110-MG9-770ZC	TRUNK ASSY. *R128PA* '84A
19	81110-MG9-770ZD	TRUNK *YR123MU* '84A
19	81111-MG9-770ZC	TRUNK ASSY. *R128PA* '84A
19	81111-MG9-770ZD	TRUNK *YR123MU* '84A



Catalog Title:

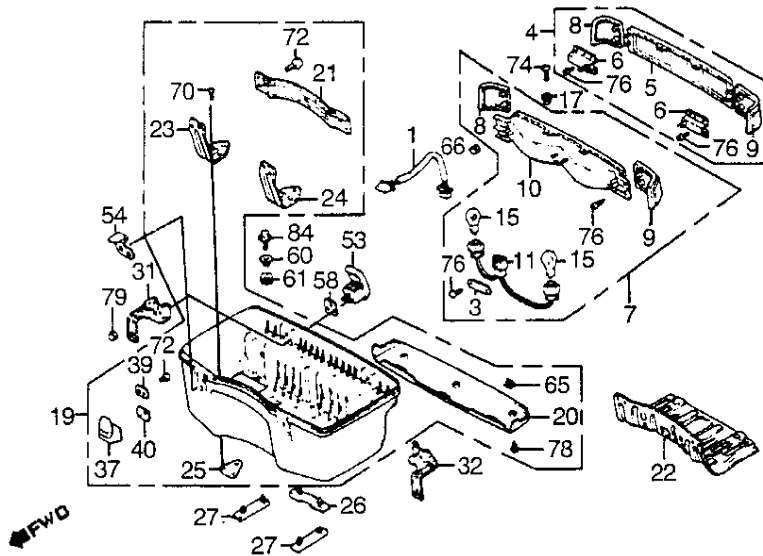
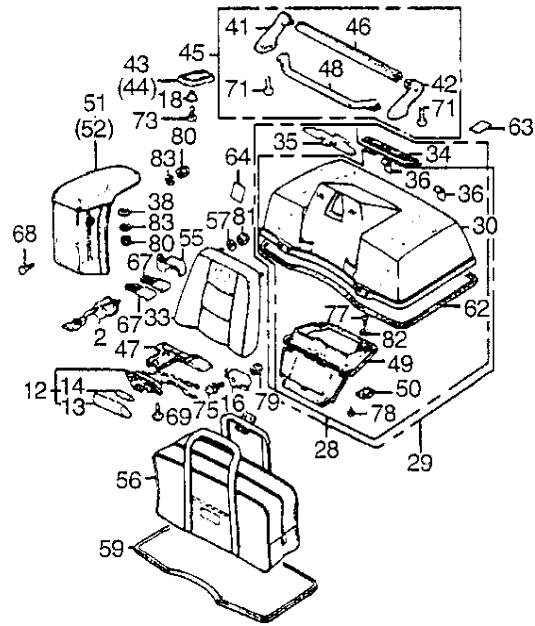
GL1200 '84 GL1200A '84,'85 GL1200I '84,'85 GL1200L '85

Block No.

F 42

Block Title:

REAR TRUNK



Ref. No.	Part No.	Description
19	81110-MG9-770ZB	TRUNK *PB123PA* '84A '84I
19	81111-MG9-770ZB	TRUNK *PB123PA* '84A '84I
19	81110-MG9-770ZH	TRUNK ASSY. *R137PA* '85A
19	81110-MG9-770ZJ	TRUNK ASSY. *PB140M* '85A
19	81110-MG9-770ZK	TRUNK ASSY. *YR125M* '85A
19	81111-MG9-770ZH	TRUNK ASSY. *R137PA* '85A
19	81111-MG9-770ZI	TRUNK ASSY. *PB140M* '85A
19	81111-MG9-770ZJ	TRUNK ASSY. *PB140M* '85A
19	81111-MG9-770ZK	TRUNK ASSY. *YR125M* '85A
19	81110-MG9-770ZE	TRUNK *NH136MU* '84I
19	811A1-ML8-670ZA	TRUNK *R114CU* '84I '85I
19	81110-MG9-680ZA	TRUNK *R114CU* '84I '85I
19	81110-MG9-770ZA	TRUNK ASSY. *R114CU* '84I '85I
19	81111-MG9-770ZA	TRUNK *R114CU* '84I '85I
19	81111-MG9-770ZM	TRUNK *R114CU* '84I '85I
19	81110-MG9-770ZF	TRUNK ASSY. *NH144M* '85I
19	81110-MG9-770ZG	TRUNK ASSY. *PB142M* '85I
19	81111-MG9-770ZF	TRUNK ASSY. *NH144M* '85I
19	81111-MG9-770ZG	TRUNK ASSY. *PB142M* '85I
19	81110-MG9-770ZL	TRUNK ASSY. *YR126M* '85L
19	81111-MG9-770ZL	TRUNK ASSY. *YR126M* '85L
20	81112-MG9-770ZC	CVR, TRUNK *R128PA* '84A
20	81112-MG9-770ZD	CVR, TRUNK *YR123MU* '84A
20	81112-MG9-770ZB	CVR, TRUNK *PB123PA* '84A/I

Catalog Title:

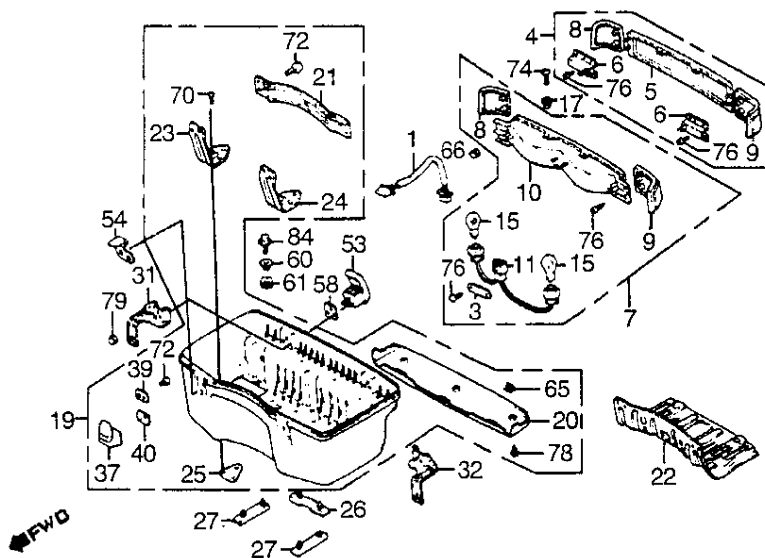
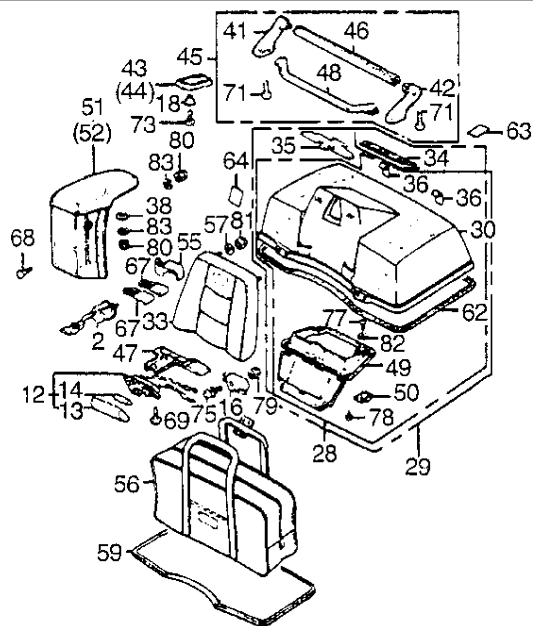
GL1200 '84 GL1200A '84,'85 GL1200I '84,'85 GL1200L '85

Block No.

F 42

Block Title:

REAR TRUNK



Ref. No.	Part No.	Description
20	81112-MG9-770ZH	CVR, TRUNK *R137PA* '85A
20	81112-MG9-770ZJ	CVR, TRUNK *PB140M* '85A
20	81112-MG9-770ZK	CVR, TRUNK *YR125M* '85A
20	81112-MG9-770ZE	CVR, TRUNK *NH136MU* '84I
20	81112-MG9-770ZA	CVR, TRUNK *R114CU* '84I'85I
20	81112-MG9-770ZF	CVR, TRUNK *NH144M* '85I
20	81112-MG9-770ZG	CVR, TRUNK *PB142M* '85I
20	81112-MG9-770ZL	CVR, TRUNK *YR126M* '85L
21	81113-MG9-770	BRACKET, TRUNK HINGE '84A/I '85A/I
22	81113-MG9-950	STIFFENER, TRUNK '85L
23	81114-MG9-770	STIFFENER, R. HINGE '84A/I '85A/I
24	81115-MG9-770	STIFFENER, L. HINGE '84A/I '85A/I
25	81116-MG9-770	PLATE '84A/I '85A/I
26	81118-MG9-770	RUBBER, RR. '84A/I '85A/I/L
27	81119-MG9-770	RUBBER, RR. TRUNK '84A/I '85A/I/L
28	94103-05700	WASHER, PLAIN (5MM) '84A '85A/L
29	95700-06028-00	BOLT, FLANGE (6X28) '85A/I/L
29	95701-06028-00	BOLT, FLANGE (6X28) ALL '85
29	96000-06028-00	BOLT, FLANGE (6X28)- ALL '85
29	96001-06028-00	BOLT, FLANGE (6X28) ALL '85
30	81120-MG9-870ZA	TRUNK ASSY. *R128PA* '84A
30	81120-MG9-870ZB	TRUNK *PB123PA* '84A
30	81120-MG9-870ZC	TRUNK *YR123MU* '84A
30	81121-MG9-870ZA	TRUNK ASSY. *R128PA* '84A
30	81121-MG9-870ZB	TRUNK *PB123PA* '84A

Catalog Title:

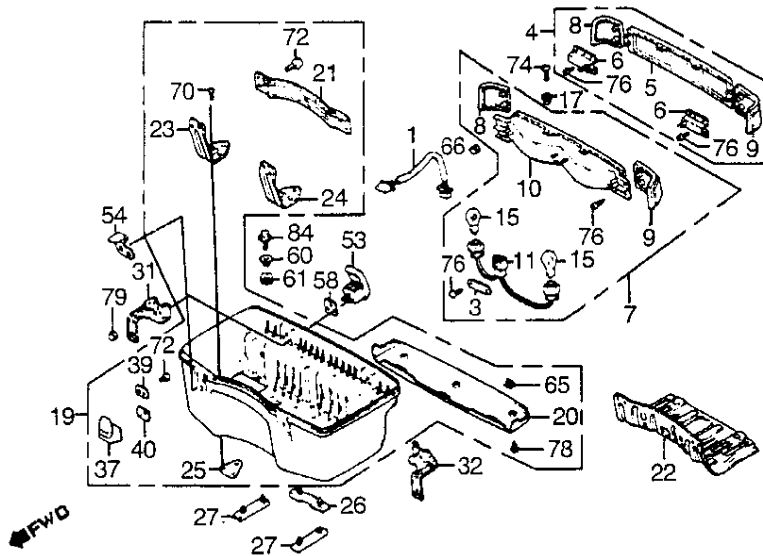
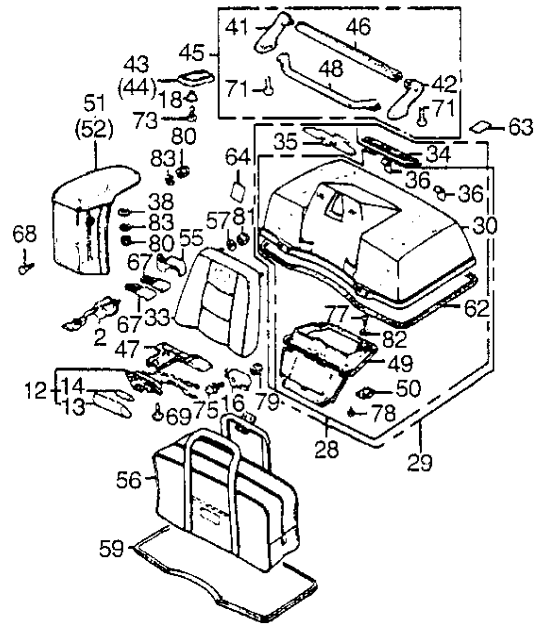
GL1200 '84 GL1200A '84,'85 GL1200I '84,'85 GL1200L '85

Block No.

F 42

Block Title:

REAR TRUNK



Ref. No.	Part No.	Description
30	81121-MG9-870ZC	TRUNK *YR123MU* '84A
30	81120-MG9-930ZA	TRUNK COMP. *R137PA* '85A
30	81120-MG9-930ZB	TRUNK COMP. *PB140M* '85A
30	81120-MG9-930ZC	TRUNK COMP. *YR125M* '85A
30	81121-MG9-930ZA	TRUNK COMP. *R137PA* '85A
30	81121-MG9-930ZB	TRUNK COMP. *PB140M* '85A
30	81121-MG9-930ZC	TRUNK COMP. *YR125M* '85A
30	81120-MG9-770ZA	TRUNK ASSY. *R114CU* '84I
30	81120-MG9-770ZB	TRUNK *PB123PA* '84I
30	81120-MG9-770ZC	TRUNK *NH136MU* '84I
30	81121-MG9-770ZA	TRUNK *R114CU* '84I
30	81121-MG9-770ZB	TRUNK *PB123PA* '84I
30	81121-MG9-770ZC	TRUNK *NH136MU* '84I
30	81120-MG9-680ZA	TRUNK *R114CU* '85I
30	81120-MG9-680ZB	TRUNK ASSY. *NH144M* '85I
30	81120-MG9-680ZC	TRUNK ASSY. *PB142M* '85I
30	81121-MG9-680ZA	TRUNK *R114CU* '85I
30	81121-MG9-680ZB	TRUNK ASSY. *NH144M* '85I
30	81121-MG9-680ZC	TRUNK ASSY. *PB142M* '85I
30	811A2-MG9-950ZA	TRUNK SET *YR126M* '85L
30	81121-MG9-950ZA	TRUNK SET *YR126M* '85L
31	81122-MG9-770	STIFFENER, R.
32	81123-MG9-770	STIFFENER, L.
33	81125-MG9-870ZA	SEAT, BACK (TYPE1) '84A
33	81125-MG9-870ZB	SEAT, BACK (TYPE2) '84A

Catalog Title:

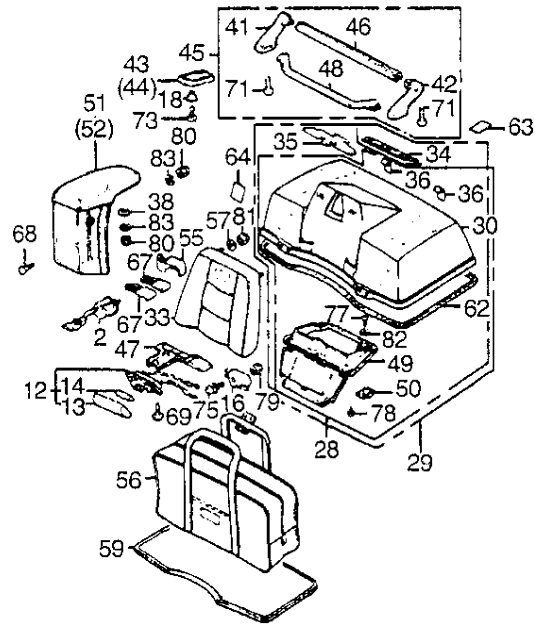
GL1200 '84 GL1200A '84,'85 GL1200I '84,'85 GL1200L '85

Block No.

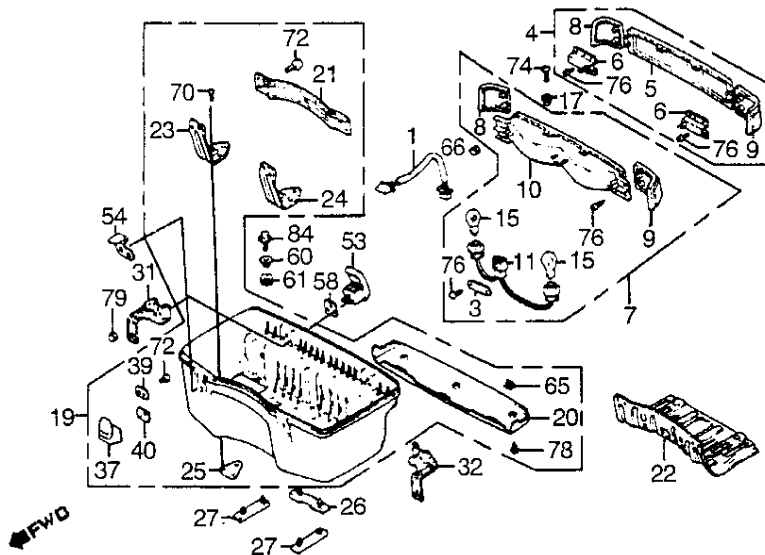
F 42

Block Title:

REAR TRUNK



Ref. No.	Part No.	Description
33	81125-MG9-870ZC	SEAT, BACK (TYPE3) '84A
33	81125-MG9-770ZA	SEAT, BACK (TYPE1) '84A/I
33	81125-MG9-930ZA	SEAT *R58L* (TYPE1)
33	81125-MG9-930ZB	SEAT *YR87L* (TYPE2) '84A '85A
33	81125-MG9-930ZC	SEAT *NH81L* (TYPE3)'85A/I '84I
33	81125-MG9-770ZB	SEAT, BACK (TYPE2) '84I
33	81125-MG9-680ZA	SEAT *R58L* (TYPE1) '85I
33	81125-MG9-680ZC	SEAT *NH81L* (TYPE3) '85I
33	81125-MG9-950	SEAT COMP., BACK '85L
34	81128-MG9-770	EMBLEM, TRUNK '84A/I '85A/I
35	81128-MG9-950	EMBLEM, TRUNK '85L
36	81129-MG9-770	HOOK, TRUNK LOCK
37	81130-MG9-770	HINGE COMP., TRUNK
38	81131-MB9-770	SEAL, TRUNK (UPPER) '84A/'85A '85L
39	81134-MG9-770	WASHER, HINGE
40	81135-MG9-770	RUBBER, HINGE
41	81136-MG9-950	ARM, R. TRUNK GRIP '85L
42	81137-MG9-950	ARM, L. TRUNK GRIP '85L
43	81138-MG9-950	BASE, R. TRUNK GRIP '85L
44	81139-MG9-950	BASE, L. TRUNK GRIP '85L
45	81140-MG9-950	GRIP ASSY., TRUNK '85L
46	81141-MG9-950	GRIP COMP. '85L
47	81142-MG9-950	STAY, ROOM LIGH '85L
48	81143-MG9-950	BAR, TRUNK GRIP '85L
49	81144-MG9-870	LID, TRUNK (INNER) '84A '85A '85L



Catalog Title:

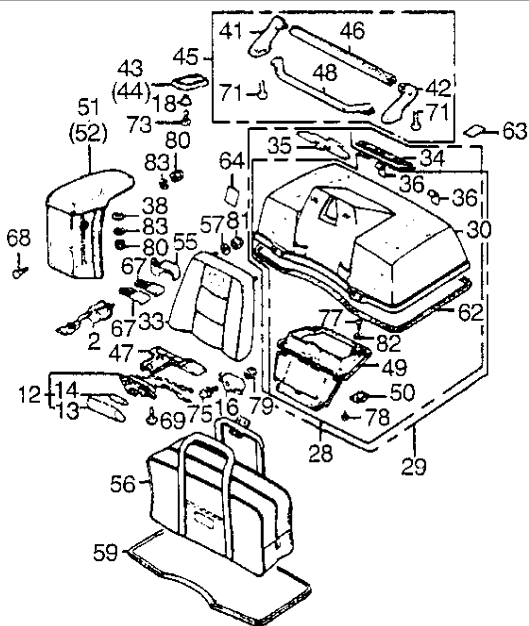
GL1200 '84 GL1200A '84,'85 GL1200I '84,'85 GL1200L '85

Block No.

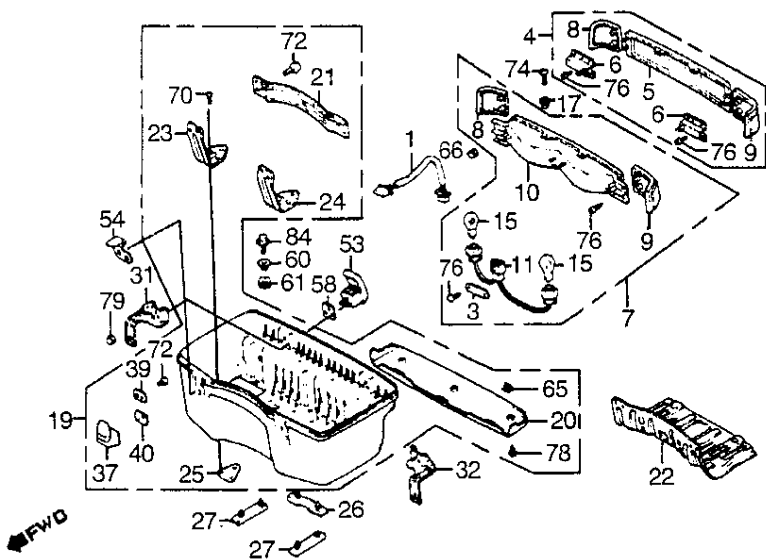
F 42

Block Title:

REAR TRUNK



Ref. No.	Part No.	Description
50	81146-MG9-870	STOPPER, LID '84A '85A '85L
51	81154-MG9-870ZA	ARMREST, R. (TYPE1) '84A
51	81154-MG9-870ZB	ARMREST, R. *YR87L* '84A
51	81154-MG9-870ZC	ARMREST, R. *NH81L* '84A
51	81154-MG9-930ZD	ARMREST, R. (TYPE1) '84A
51	81154-MG9-930ZB	ARMREST, R. *YR87L* '84A '85A
51	81154-MG9-930ZC	ARMREST, R. *NH81L* '84A '85A
51	81154-MG9-930ZA	ARMREST ASSY. *R58L* '85A
51	81154-MG9-950	ARMREST ASSY. *R58L* '85L
51	81154-MG9-950ZA	ARMREST ASSY. *R58L* '85L
52	81164-MG9-870ZA	ARMREST ASSY. *R58L* '84A
52	81164-MG9-870ZB	ARMREST, L. *YR87L* '84A
52	81164-MG9-870ZC	ARMREST, L. *NH-81L* '84A
52	81164-MG9-930ZD	ARMREST ASSY. *R58L* '84A
52	81164-MG9-930ZA	ARMREST ASSY. *R58L* '84A '85A
52	81164-MG9-930ZB	ARMREST, L. *YR87L* '84A '85A
52	81164-MG9-930ZC	ARMREST, L. *NH-81L* '84A '85A
52	81164-MG9-950	ARMREST, L. *R58L* '85L
52	81164-MG9-950ZA	ARMREST, L. *R58L* '85L
53	81170-MG9-771	LOCK ASSY., TRUNK
54	81176-MG9-950	STOPPER '85L
54	81176-MG9-951	STOPPER '85L
55	81179-MG9-950	STAY, LIGHT SWITCH '85L
56	81180-MG9-870	BAG, TRUNK (INNER) '84A
56	81180-MG9-930ZA	BAG, TRUNK (TYPE1) '85A



Catalog Title:

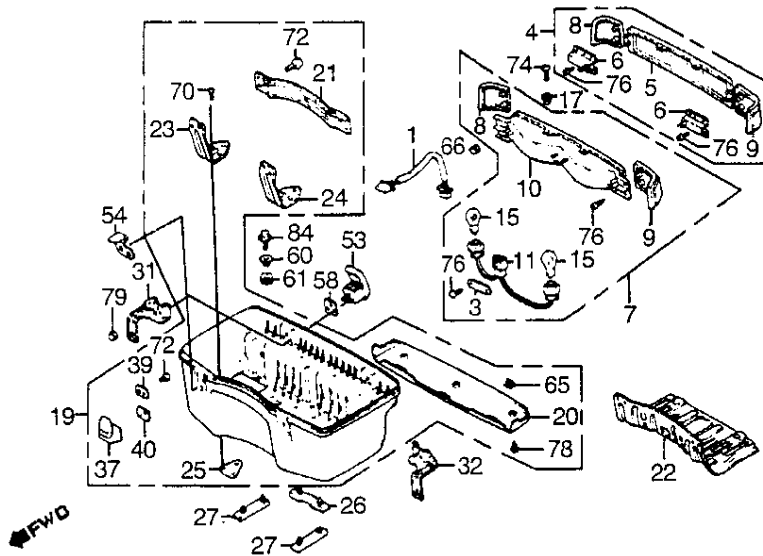
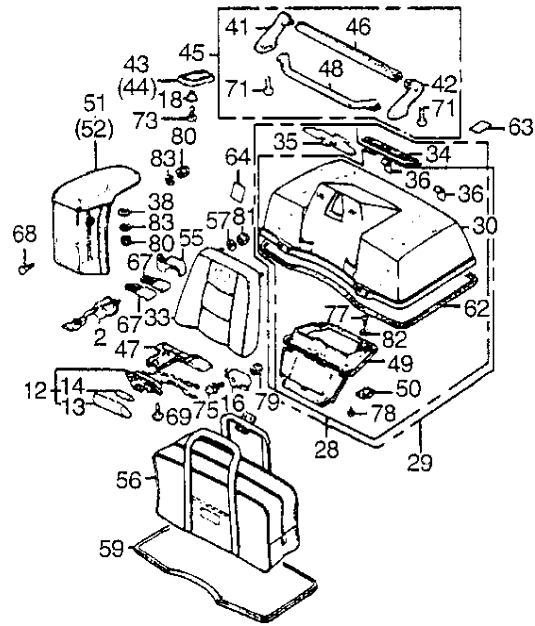
GL1200 '84 GL1200A '84,'85 GL1200I '84,'85 GL1200L '85

Block No.

F 42

Block Title:

REAR TRUNK



Ref. No.	Part No.	Description
56	81180-MG9-930ZB	BAG, TRUNK (TYPE2) '85A
56	81180-MG9-770	BAG, TRUNK (INNER) '84I '85I
56	81180-MG9-950	BAG, TRUNK (INNER) '85L
57	81216-ME2-770	RUBBER
58	81223-MG9-770	PLATE, LOCK SETTING
59	81242-MG9-870	FLOOR MAT, TRUNK '84A '85A '85L
59	81242-MG9-770	FLOOR MAT, TRUNK '84I
59	81242-MG9-680	FLOOR MAT, TRUNK '85I
60	81245-463-770	COLLAR
61	81247-463-770	RUBBER B
62	81420-MG9-770	RUBBER, TRUNK SEAL
63	87520-MG9-770	LABEL
64	87525-MB9-870	LABEL, SIDE POCKET '85L '84A '85A
65	90108-MG9-770	GROMMET, SCREW (4MM)
66	90201-428-900	NUT, CAP (6MM)
66	90308-MT8-000	NUT, CAP (6MM)
67	90655-MG9-950	CLIP, L. HARNESS '85L
68	91508-GA6-000	SCREW, PAN (5X7) '84A '85A/L
69	93500-03008-0G	SCREW, PAN (3X8) '85L
70	93500-04010-0G	SCREW, PAN (4X10) '84A/I '85A/I
71	93500-05010-0A	SCREW, PAN (5X10) '85L
72	93500-05012-0G	SCREW, PAN (5X12)
73	93500-05016-0G	SCREW, PAN (5X16) '85L
74	93500-06016-0G	SCREW, PAN (6X16)
75	93891-04010-07	SCREW-WASHER (4X10) '85L

Catalog Title:

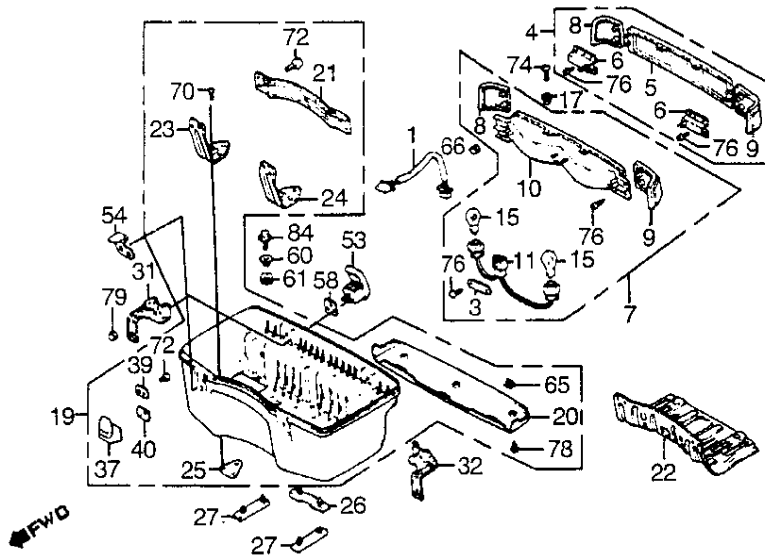
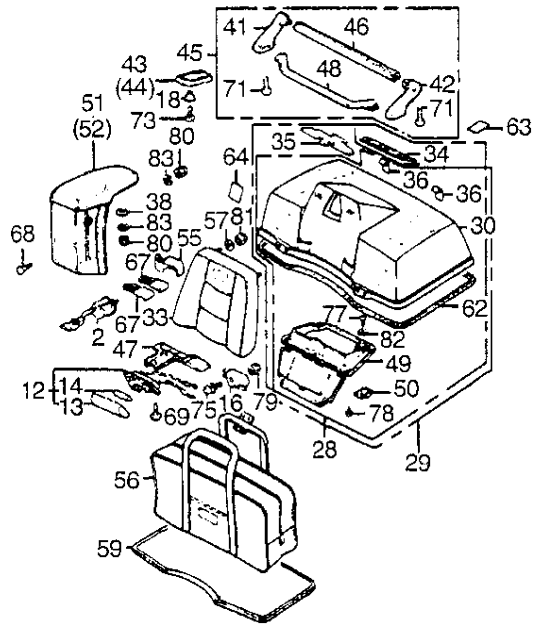
GL1200 '84 GL1200A '84,'85 GL1200I '84,'85 GL1200L '85

Block No.

F 42

Block Title:

REAR TRUNK



Ref. No.	Part No.	Description
75	93891-04010-08	SCREW-WASHER (4X10) '85L
76	93901-34320	SCREW, TAP (4X12)
77	93903-24110	SCREW, TAPPING (4X8) '84A '85A/L
78	93903-24280	SCREW, TAP (4X10) '84A/I '85A/L
79	94021-04070-0S	NUT, CAP (4MM) '84A/I '85A/I/L
80	94021-05070-0S	NUT, CAP (5MM)
81	94021-06070-0S	NUT, CAP (6MM)
82	94103-04800	WASHER, PLAIN (4MM) '84A '85A/L
83	94103-05700	WASHER, PLAIN (5MM) '84A '85A/L
84	95700-06028-00	BOLT, FLANGE (6X28)
84	96000-06028-00	BOLT, FLANGE (6X28)
84	96001-06028-00	BOLT, FLANGE (6X28)
84	95701-06028-00	BOLT, FLANGE (6X28)

Catalog Title:

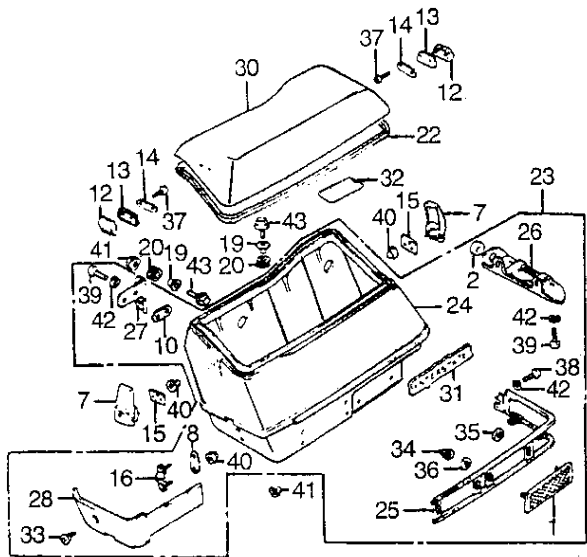
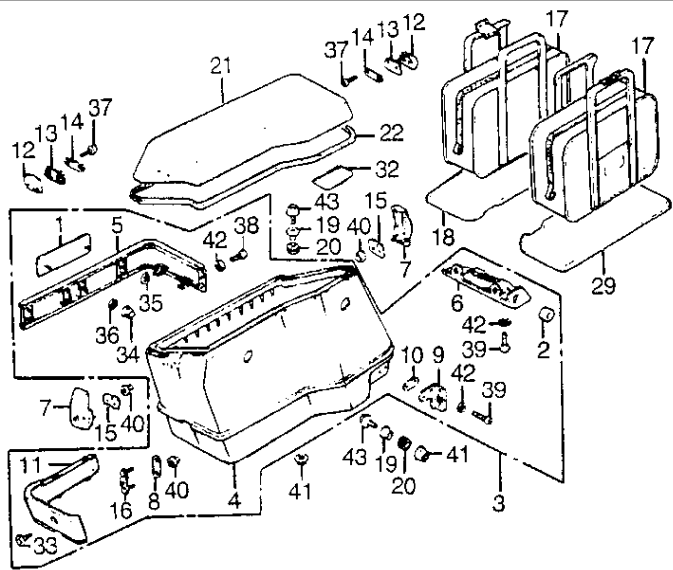
GL1200 '84 GL1200A '84,'85 GL1200I '84,'85 GL1200L '85

Block No.

F 43

Block Title:

SADDLEBAG - 1200I/L '84-'85



← FWD

Ref. No.	Part No.	Description
1	33742-MG9-771	REFLECTOR, RR. '84A/I '85A/I
2	80102-425-770	GROMMET '84A/I '85A/I
3	81200-MG9-870ZA	SADDLEBAG *R128PA* '84A
3	81200-MG9-870ZB	SADDLEBAG *YR123MU* '84A
3	81200-MG9-870ZC	SADDLEBAG *PB123PA* '84A
3	81200-MG9-930ZA	SADDLEBAG *R137PA* '85A
3	81200-MG9-940ZC	SADDLEBAG *YR125M* '85A
3	81200-MG9-770ZA	SADDLEBAG *R114CU* '84I
3	81200-MG9-770ZB	SADDLEBAG *PB123PA* '84I
3	81200-MG9-770ZC	SADDLEBAG *NH136MU* '84I
3	81200-MG9-680ZA	SADDLEBAG *R114CU* '85I
3	81200-MG9-680ZB	SADDLEBAG *NH144M* '85I
3	81200-MG9-680ZC	SADDLEBAG *PB142M* '85I
4	81210-MG9-870ZA	LOWER, R. *R128PA* '84A
4	81210-MG9-870ZB	LOWER, R. *YR123MU* '84A
4	81210-MG9-870ZC	LOWER, R. *PB123PA* '84A
4	81210-MG9-930ZA	SADDLEBAG *R137PA* '85A
4	81210-MG9-930ZB	SADDLEBAG *PB140M* '85A
4	81210-MG9-930ZC	SADDLEBAG *YR125M* '85A
4	81210-MG9-770ZA	LOWER, R. *R114CU* '84I
4	81210-MG9-770ZB	LOWER, R. *PB123PA* '84I
4	81210-MG9-770ZC	LOWER, R. *NH136MU* '84I
4	81210-MG9-680ZA	SADDLEBAG *R114CU* '85I
4	81210-MG9-680ZB	SADDLEBAG *NH144M* '85I
4	81210-MG9-680ZC	SADDLEBAG *PB142M* '85I

Catalog Title:

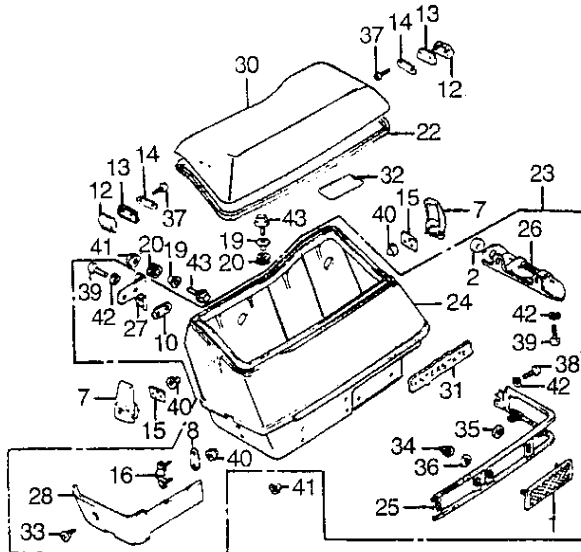
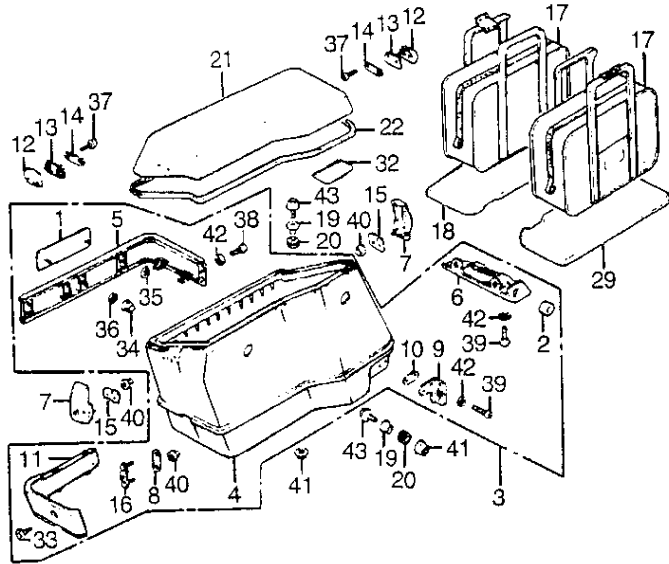
GL1200 '84 GL1200A '84,'85 GL1200I '84,'85 GL1200L '85

Block No.

F 43

Block Title:

SADDLEBAG - 1200I/L '84-'85



← FWD

Ref. No.	Part No.	Description
5	81213-MG9-770	MLDG, R. SADDLEBAG '84A/I '85A/I
6	81214-MG9-770	COVER, R. SADDLEBAG '84A/I '85A/I
7	81215-MG9-771	LOCK, SADDLEBAG '84A/I '85A/I
8	81216-MG9-770	PLATE '84A/I
8	81216-MG9-680	PLATE '85A/I
9	81217-MG9-770	PLATE, R. '84A/I '85A/I
10	81218-MG9-770	PLATE, NUT '84A/I '85A/I
11	81219-MG9-770	PROTR, R. SADDLEBAG '84A/I '85A/I
12	81220-MG9-770	HOOK, LOCK '84A/I '85A/I
13	81221-MG9-770	RUBBER, HOOK '84A/I '85A/I
14	81222-MG9-770	PLATE, HOOK SETTING '84A/I '85A/I
15	81223-MG9-770	PLATE, LOCK SETTING '84A/I '85A/I
16	81224-MG9-770	BRACKET '84A/I
16	81224-MG9-680	BRACKET '85A/I
17	81228-MG9-870	BAG, SADDLEBAG '84A
17	81228-MG9-930ZA	BAG (INNER) (TYPE1) '85A
17	81228-MG9-930ZB	BAG (INNER) (TYPE2) '85A
17	81228-MG9-770	BAG, SADDLEBAG '84I '85I
18	81244-MG9-870	FLOOR MAT, R. '84A '85A
18	81244-MG9-770	FLOOR MAT, R. '84A/I '85A
18	81244-MG9-680	FLOOR MAT, R. '85I
19	81245-463-770	COLLAR '84A/I '85A/I
20	81246-463-770	RUBBER A '84A/I '85A/I
21	81250-MG9-770ZC	SADDLEBAG *R128PA* '84A
21	81250-MG9-770ZD	SADDLEBAG *YR123MU* '84A

Catalog Title:

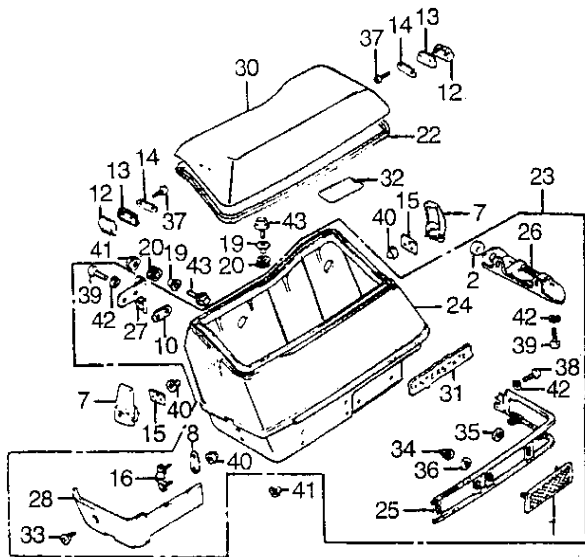
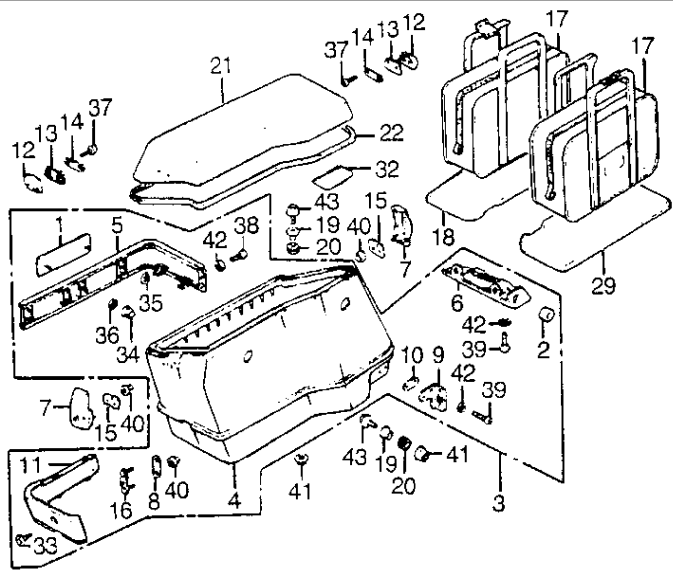
GL1200 '84 GL1200A '84,'85 GL1200I '84,'85 GL1200L '85

Block No.

F 43

Block Title:

SADDLEBAG - 1200I/L '84-'85



Ref. No.	Part No.	Description
21	81260-MG9-770ZC	SADDLEBAG *R128PA* '84A
21	81260-MG9-770ZD	SADDLEBAG *YR123MU* '84A
21	81250-MG9-770ZB	SADDLEBAG *PB123PA* '84A '84I
21	81260-MG9-770ZB	SADDLEBAG *PB123PA* '84A '84I
21	81250-MG9-770ZH	SADDLEBAG *R137PA* '85A
21	81250-MG9-770ZJ	SADDLEBAG *PB140M* '85A
21	81250-MG9-770ZK	SADDLEBAG *YR125M* '85A
21	81260-MG9-770ZH	SADDLEBAG *R137PA* '85A
21	81260-MG9-770ZJ	SADDLEBAG *PB140M* '85A
21	81260-MG9-770ZK	SADDLEBAG *YR125M* '85A
21	81250-MG9-770ZE	SADDLEBAG *NH136MU* '84I
21	81260-MG9-770ZE	SADDLEBAG *NH136MU* '84I
21	81250-MG9-770ZA	SDLBG, R. *R114CU* '84I '85I
21	81260-MG9-770ZA	SADDLEBAG *R114CU* '84I '85I
21	81250-MG9-770ZF	SADDLEBAG *NH144M* '85I
21	81250-MG9-770ZG	SADDLEBAG *PB142M* '85I
21	81260-MG9-770ZF	SADDLEBAG *NH144M* '85I
21	81260-MG9-770ZG	SADDLEBAG *PB142M* '85I
22	81325-MG9-770	RUBBER '84I/A '85I/A
23	81400-MG9-870ZA	SADDLEBAG *R128PA* '84A
23	81400-MG9-870ZB	SADDLEBAG *YR123MU* '84A
23	81400-MG9-870ZC	SADDLEBAG *PB123PA* '84A
23	81400-MG9-930ZB	SADDLEBAG *PB140M* '85A
23	81400-MG9-930ZC	SADDLEBAG *YR125M* '85A
23	81400-MG9-940ZC	UNAVAILABLE '85A

Catalog Title:

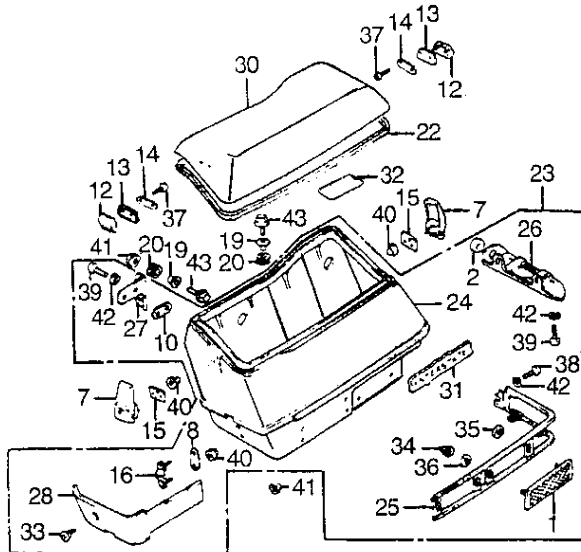
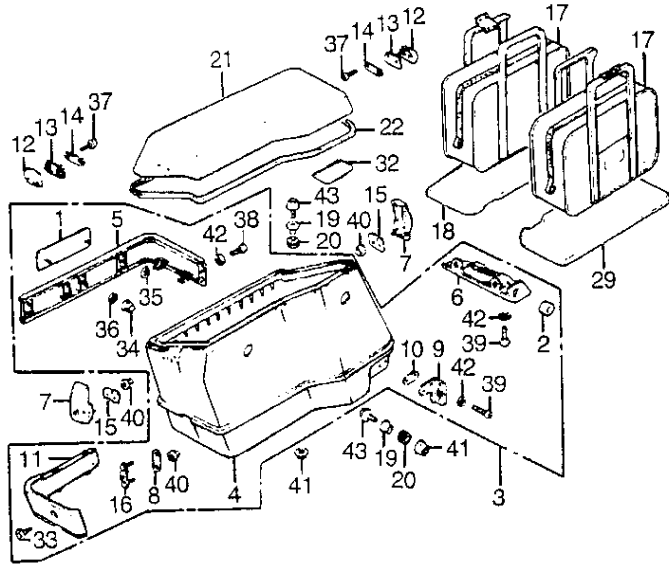
GL1200 '84 GL1200A '84,'85 GL1200I '84,'85 GL1200L '85

Block No.

F 43

Block Title:

SADDLEBAG - 1200I/L '84-'85



FWD

Ref. No.	Part No.	Description
23	95700-06028-00	BOLT, FLANGE (6X28) - ALL '85
23	95701-06028-00	BOLT, FLANGE (6X28) - ALL '85
23	96000-06028-00	BOLT, FLANGE (6X28) - ALL '85
23	96001-06028-00	BOLT, FLANGE (6X28) - ALL '85
23	81400-MG9-770ZA	SADDLEBAG *R114CU* '84I
23	81400-MG9-770ZB	SADDLEBAG *PB123PA* '84I
23	81400-MG9-770ZC	SADDLEBAG *NH136MU* '84I
23	81400-MG9-680ZA	SADDLEBAG *R114CU* '85I
23	81400-MG9-680ZB	SADDLEBAG *NH144M* '85I
23	81400-MG9-680ZC	SADDLEBAG *PB142M* '85I
24	81410-MG9-870ZA	SADDLEBAG *R128PA* '84A
24	81410-MG9-870ZB	SADDLEBAG *YR123MU* '84A
24	81410-MG9-870ZC	SADDLEBAG *PB123PA* '84A
24	81400-MG9-930ZA	SADDLEBAG *R137PA* '85A
24	81410-MG9-930ZA	SADDLEBAG *R137PA* '85A
24	81410-MG9-930ZB	SADDLEBAG *PB140M* '85A
24	81410-MG9-930ZC	SADDLEBAG *YR125M* '84I
24	81410-MG9-770ZA	SADDLEBAG *R114CU* '84I
24	81410-MG9-770ZB	SADDLEBAG *PB123PA* '84I
24	81410-MG9-770ZC	SADDLEBAG *NH136MU* '85I
24	81410-MG9-680ZA	SADDLEBAG *R114CU* '85I
24	81410-MG9-680ZB	SADDLEBAG *NH144M* '85I
24	81410-MG9-680ZC	SADDLEBAG *PB142M* '85I
25	81413-MG9-770	MLDG, L. SADDLEBAG '84A/I '85A/I
26	81414-MG9-770	COVER, L. SADDLEBAG '84A/I '85A/I

Catalog Title:

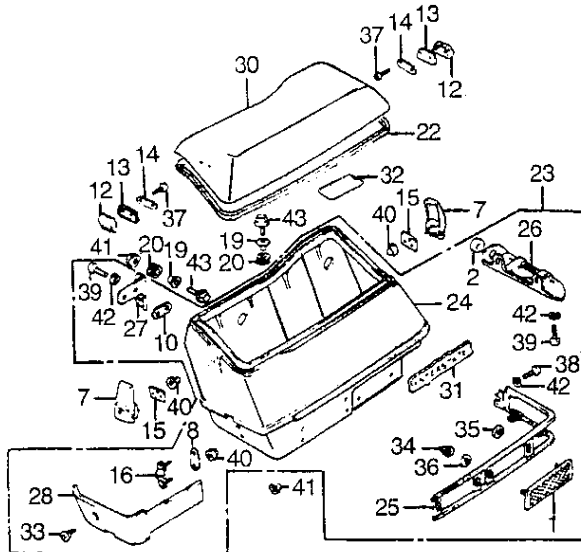
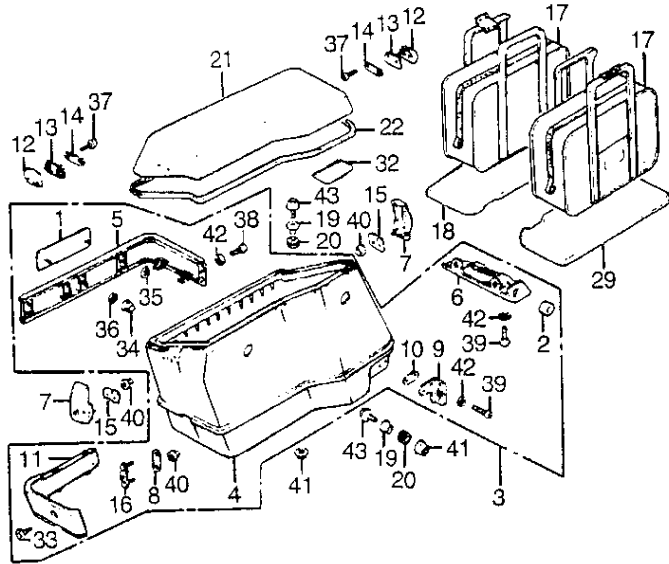
GL1200 '84 GL1200A '84,'85 GL1200I '84,'85 GL1200L '85

Block No.

F 43

Block Title:

SADDLEBAG - 1200I/L '84-'85



Ref. No.	Part No.	Description
27	81417-MG9-770	PLATE, L. '84A/I '85A/I
28	81419-MG9-770	PROTR, L. SADDLEBAG '84A/I '85A/I
29	81444-MG9-870	FLOOR MAT, L. '84A '85A
29	81444-MG9-770	FLOOR MAT, L. '84A/I '85A
29	81444-MG9-680	FLOOR MAT, L. '85I
30	81450-MG9-770ZC	SADDLEBAG *R128PA* '84A
30	81450-MG9-770ZD	SADDLEBAG *YR123MU* '84A
30	81450-MG9-770ZB	SADDLEBAG *PB123PA* '84A/ I
30	81450-MG9-770ZH	SADDLEBAG *R137PA* '85A
30	81450-MG9-770ZJ	SADDLEBAG *PB140M*'85A
30	81450-MG9-770ZK	SADDLEBAG *YR125M* '85A
30	81450-MG9-770ZE	SADDLEBAG *NH136MU* '84I
30	81450-MG9-770ZA	SDLBG, L. *R114CU* '84I '85I
30	81450-MG9-770ZF	SADDLEBAG *NH144M* '85I
30	81450-MG9-770ZG	SADDLEBAG *PB142M* '85I
31	87111-MG9-870	EMBLEM, SADDLEBAG '84A '85A
31	87111-MG9-770	EMBLEM, SADDLEBAG '84I '85I
32	87520-MG9-770	LABEL '84A/I '85A/I
33	90114-MG9-770	SCREW'84A/I '85A/I
34	90201-428-900	NUT, CAP (6MM)'84A/I '85A/I
34	90308-MT8-000	NUT, CAP (6MM)
35	90505-MG9-770	WASHER (6MM) '84A/I '85A/I
36	90525-428-900	WASHER, PLAIN (6MM) '84A/I '85A/I
37	93500-04006-0G	SCREW, PAN (4X6) '84A/I '85A/I
38	93500-04008-0G	SCREW, PAN (4X8)'84A/I '85A/I

FRONT

Catalog Title:

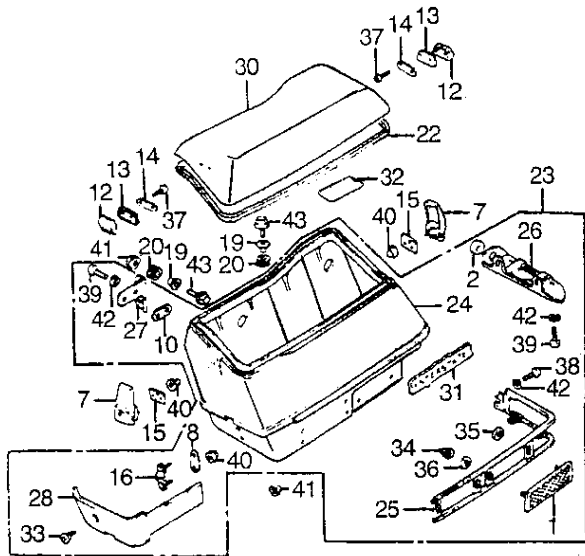
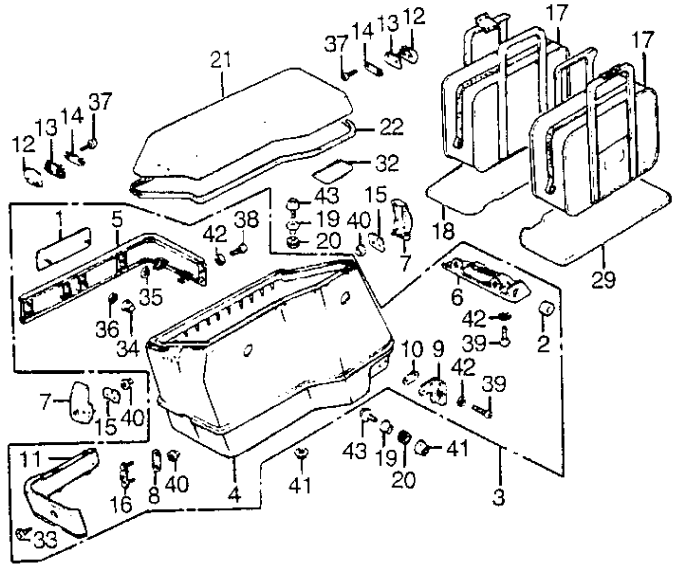
GL1200 '84 GL1200A '84,'85 GL1200I '84,'85 GL1200L '85

Block No.

F 43

Block Title:

SADDLEBAG - 1200I/L '84-'85



FWO

Ref. No.	Part No.	Description
39	93500-04010-0A	SCREW, PAN (4X10) '84A/I '85A/I
40	94021-04070-0S	NUT, CAP (4MM) '84A/I '85A/I
41	94050-06000	NUT, FLANGE (6MM)'84A/I '85A/I
42	94111-04700	WASHER, SPRING (4MM)'84A/I '85A/I/L
43	95700-06028-00	BOLT, FLANGE (6X28) '84A/I
43	96000-06028-00	BOLT, FLANGE (6X28) '84A/I
43	96001-06028-00	BOLT, FLANGE (6X28) '84A/I
43	95701-06028-00	BOLT, FLANGE (6X28) '84A/I '85A/I

Catalog Title:

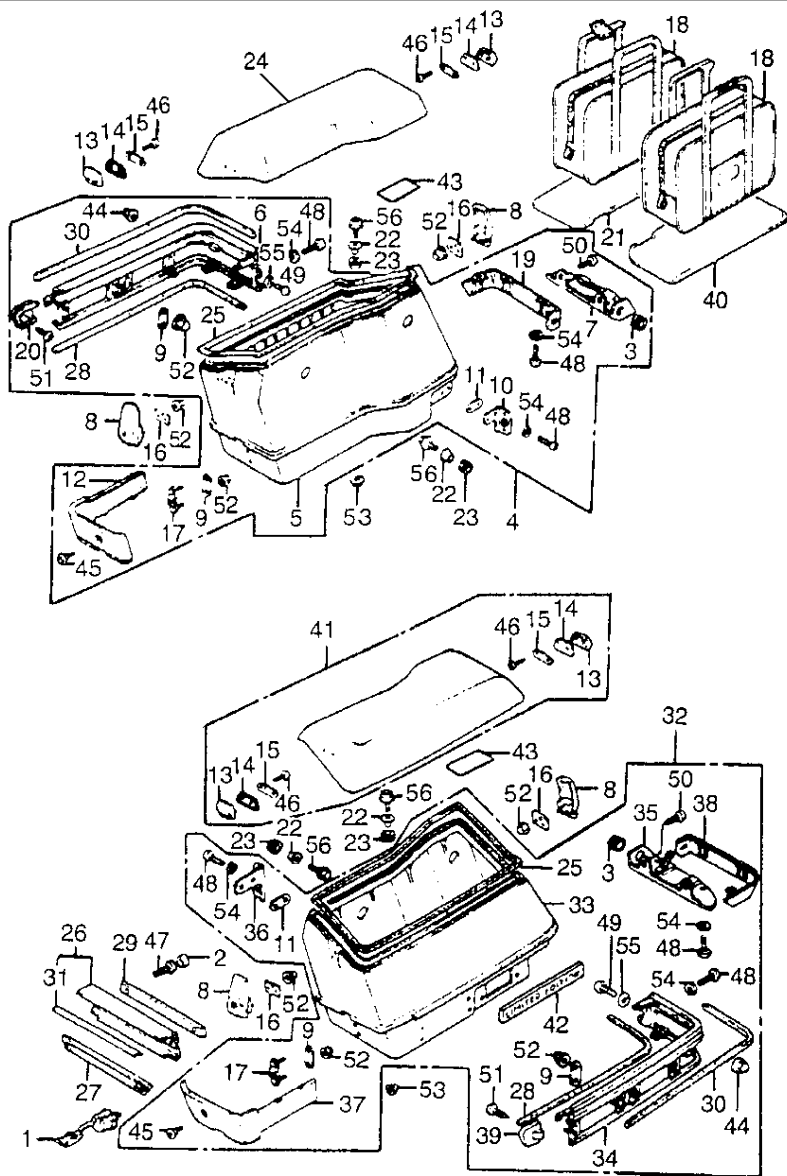
GL1200 '84 GL1200A '84,'85 GL1200I '84,'85 GL1200L '85

Block No.

F 4301

Block Title:

SADDLEBAG - GL1200L '85

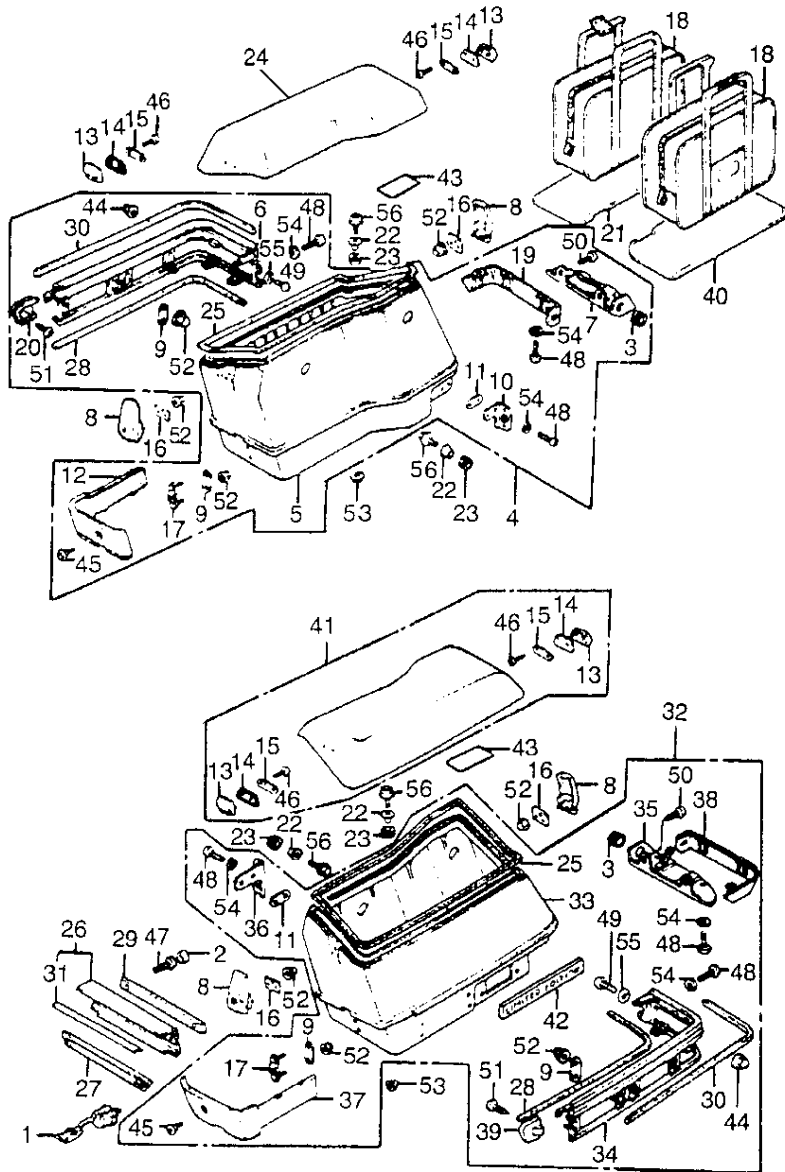


Ref. No.	Part No.	Description
1	32910-MG9-951	BUSH, WIRE
2	39103-MB9-871	CAP (5MM)
3	80102-425-770	GROMMET
4	812A0-MG9-950ZA	SDLBG, R. *YR126M*
5	81210-MG9-950ZA	SDLBG, R. *YR126M*
6	81213-MG9-950	MLDG, R. SADDLEBAG
7	81214-MG9-950	COVER, R. SADDLEBAG
8	81215-MG9-771	LOCK, SADDLEBAG
9	81216-MG9-680	PLATE
10	81217-MG9-770	PLATE, R.
11	81218-MG9-770	PLATE, NUT
12	81219-MG9-770	PROTR, R. SADDLEBAG
13	81220-MG9-770	HOOK, LOCK
14	81221-MG9-770	RUBBER, HOOK
15	81222-MG9-770	PLATE, HOOK SETTING
16	81223-MG9-770	PLATE, LOCK SETTING
17	81224-MG9-680	BRACKET
18	81228-MG9-950	BAG, SADDLEBAG
19	81232-MG9-950ZA	MUDGUARD *YR126M*
20	81233-MG9-950	CAP, R. MOLDING END
21	81244-MG9-770	FLOOR MAT, R.
21	81244-MG9-870	FLOOR MAT, R.
22	81245-463-770	COLLAR
23	81246-463-770	RUBBER A
24	81250-MG9-950ZA	SADDLEBAG *YR126M*

Catalog Title:
GL1200 '84 GL1200A '84,'85 GL1200I '84,'85 GL1200L '85

Block No.
F 4301

Block Title:
SADDLEBAG - GL1200L '85

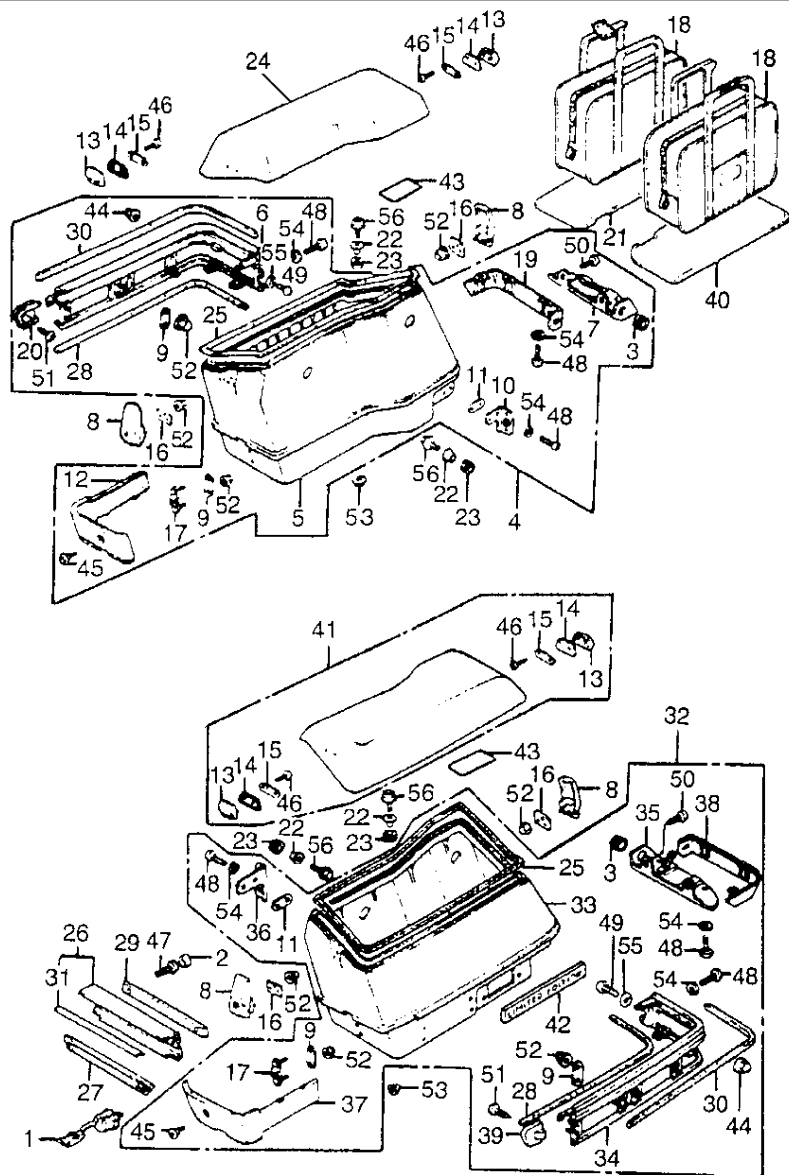


Ref. No.	Part No.	Description
24	81260-MG9-950ZA	SADDLEBAG *YR126M*
25	81325-MG9-770	RUBBER
26	81331-MG9-950	MLDG, FENDER (UPPER)
27	81333-MG9-950	MLDG, FENDER (LOWER)
28	81340-MG9-950	RUBBER A, R. MOLDING
29	81342-MG9-950	RUBBER B
30	81343-MG9-950	RUBBER, MOLDING TRIM
31	81344-MG9-950	RUBBER B
32	814A0-MG9-950ZA	SDLBG, L. *YR126M*
33	81410-MG9-950ZA	SDLBG, L. *YR126M*
34	81413-MG9-950	MLDG, L. SADDLEBAG
35	81414-MG9-950	COVER, L. SADDLEBAG
36	81417-MG9-770	PLATE, L.
37	81419-MG9-770	PROTR, L. SADDLEBAG
38	81432-MG9-950ZA	MUDGUARD *YR126M*
39	81433-MG9-950	CAP, L. MOLDING END
40	81444-MG9-770	FLOOR MAT, L.
40	81444-MG9-870	FLOOR MAT, L.
41	81450-MG9-950ZA	SADDLEBAG *YR126M*
41	81460-MG9-950ZA	SADDLEBAG *YR126M*
42	87111-MG9-950	EMBLEM, SADDLEBAG
43	87520-MG9-950	LABEL
44	90106-MB9-871	NUT (5MM)
45	90114-MG9-770	SCREW
46	93500-04006-0G	SCREW, PAN (4X6)

Catalog Title:
GL1200 '84 GL1200A '84,'85 GL1200I '84,'85 GL1200L '85

Block No.
F 4301

Block Title:
SADDLEBAG - GL1200L '85



Ref. No.	Part No.	Description
47	93500-04008-0A	SCREW, PAN (4X8)
48	93500-04010-0G	SCREW, PAN (4X10)
49	93500-05012-0G	SCREW, PAN (5X12)
50	93893-04008-07	SCREW-WASHER (4X8)
51	93903-25280	SCREW, TAP (5X12)
52	94021-04070-0S	NUT, CAP (4MM)
53	94050-06000	NUT, FLANGE (6MM)
54	94111-04700	WASHER, SPRING (4MM)
55	94111-05700	WASHER, SPRING (5MM)
56	95700-06028-00	BOLT, FLANGE (6X28)
56	95701-06028-00	BOLT, FLANGE (6X28)

Catalog Title:

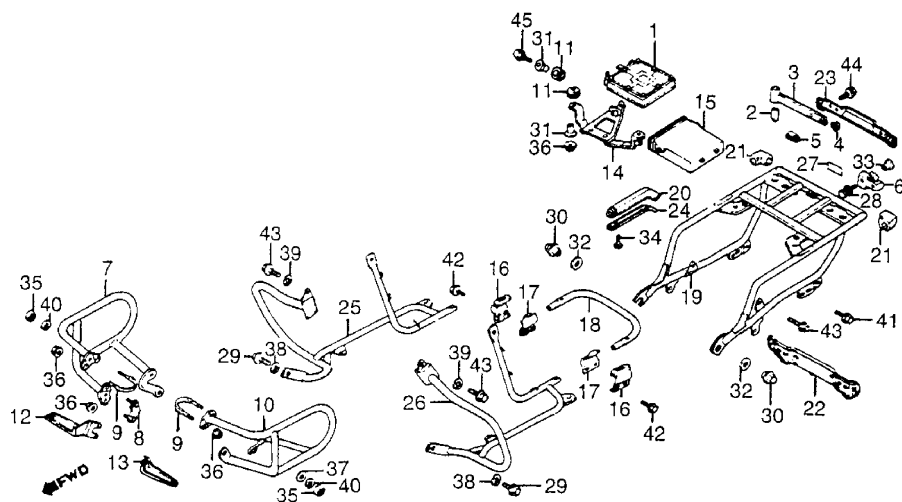
GL1200 '84 GL1200A '84,'85 GL1200I '84,'85 GL1200L '85

Block No.

F 44

Block Title:

ENGINE GUARD / SADDLEBAG STAY - 1200I/A/L '84-'85



Ref. No.	Part No.	Description
1	38770-MG9-951	CONTROL UNIT ASSY. '85L
1	38770-MG9-952	CONTROL UNIT ASSY. '85L
2	39158-MG9-870	NUT, ANTENNA SETTING '84A '85L/A
3	39159-MG9-870	STAY, ANTENNA '84A '85A
3	39159-MG9-950	STAY, ANTENNA '85L
4	39161-MG9-870	GROMMET '84A '85L/A
5	39162-MG9-870	GROMMET '84A '85L/A
6	50710-086-007	HOLDER ASSY., HELMET
6	50710-371-007	HOLDER ASSY., HELMET
7	62501-MG9-770	GUARD, R. ENGINE '84I/A
7	62501-MG9-771	GUARD, R. ENGINE '84A/I
8	62502-463-770	BAND, ENGINE GUARD
9	62503-463-770	BOLT
10	62601-MG9-770	GUARD, L. ENGINE
10	62601-MG9-771	GUARD, L. ENGINE
10	62601-ML8-000	GUARD, L. ENGINE
10	62601-ML8-010	GUARD, L. ENGINE
11	64216-GJ2-730	RUBBER '85L
12	64318-MG9-950	STAY, R. COWL SIDE '85L
13	64319-MG9-950	STAY, L. COWL SIDE '85L
14	80107-MG9-950	STAY '85L

Catalog Title:

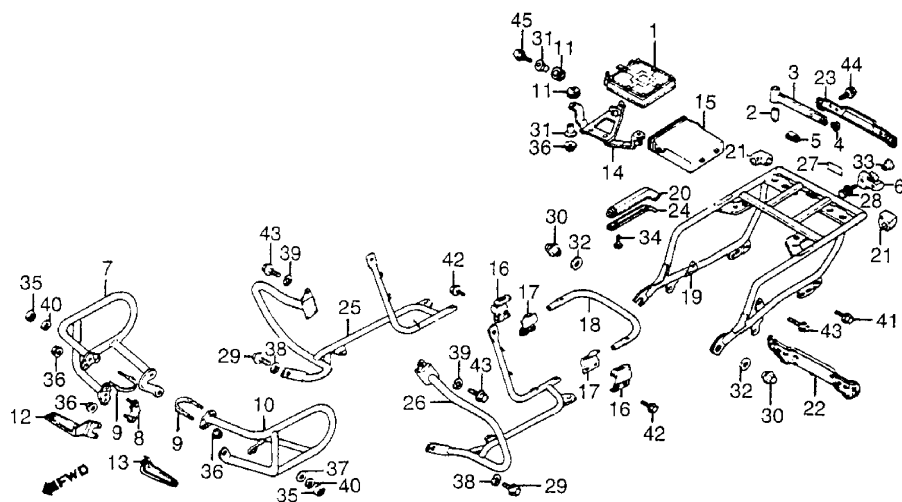
GL1200 '84 GL1200A '84,'85 GL1200I '84,'85 GL1200L '85

Block No.

F 44

Block Title:

ENGINE GUARD / SADDLEBAG STAY - 1200I/A/L '84-'85



Ref. No.	Part No.	Description
15	80207-MG9-950	SUB-BOX '85L
16	81235-463-770	BAND A, RR. BUMPER
17	81236-463-770	BAND B, RR. BUMPER
18	81237-MG9-770	PIPE, RR. JOINT
19	84101-MG9-770	STAY, RR. TRUNK '84A/I' '85A/I
19	84101-MG9-771	STAY, RR. TRUNK '84A/I' '85A/I
19	84101-MG9-950	STAY, RR. TRUNK '885L
20	84102-MG9-950	RUBBER, RR. GRIP '85L
21	84103-MG9-770	RUBBER, TRUNK STAY '84A/I' '85A/I
22	84104-MG9-770	CVR, RR. TRUNK STAY '84A/I' '85A/I
23	84104-MG9-950	CVR, RR. TRUNK STAY '85L
24	84105-MG9-950	PLATE, GRIP SETTING '85L
25	84250-MG9-770	STAY, R. SADDLEBAG
26	84350-MG9-770	STAY, L. SADDLEBAG
27	87511-323-670	LABEL, HELMET HOLDER
28	90107-449-000	BOLT
29	90109-MG9-770	BOLT, FLANGE (8X15) '84I' '85I
30	90310-463-770	NUT, RR.
31	90501-425-000	COLLAR (6.2X12) '85L
32	90527-230-000	WASHER (10.3MM)
33	91457-MG9-770	CAP, BLIND
34	93600-04012-0A	SCREW, FLAT (4X12) '85L

Catalog Title:

GL1200 '84 GL1200A '84,'85 GL1200I '84,'85 GL1200L '85

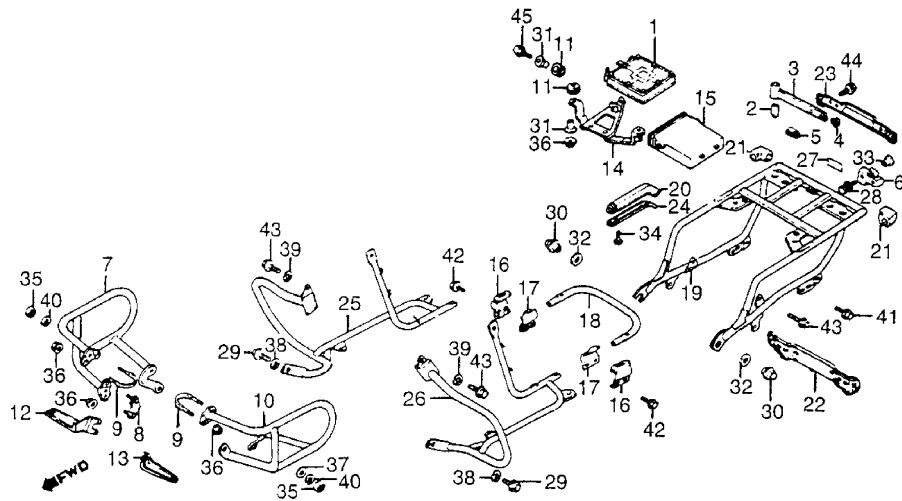
Block No.

F 44

Block Title:

ENGINE GUARD / SADDLEBAG STAY - 1200I/A/L '84-'85

Ref. No.	Part No.	Description
36	94050-06000	NUT, FLANGE (6MM)
37	94101-12000	WASHER, PLAIN (12MM)
38	94103-08000	WASHER, PLAIN (8MM) '84I '85I
39	94111-08000	WASHER, SPRING (8MM)
40	94111-12000	WASHER (12MM)
41	95700-06012-00	BOLT, FLANGE (6X12)
41	95701-06012-00	BOLT, FLANGE (6X12)
42	95700-06016-00	BOLT, FLANGE (6X16)
42	95701-06016-00	BOLT, FLANGE (6X16)
43	95700-08016-00	BOLT, FLANGE (8X16)
43	95701-08016-00	BOLT, FLANGE (8X16)
44	96000-06014-02	BOLT, FLANGE (6X14)
44	96001-06014-02	BOLT, FLANGE (6X14)
45	96000-06022-02	BOLT, FLANGE (6X22) '85L
45	96001-06022-02	BOLT, FLANGE (6X22) '85L



Catalog Title:

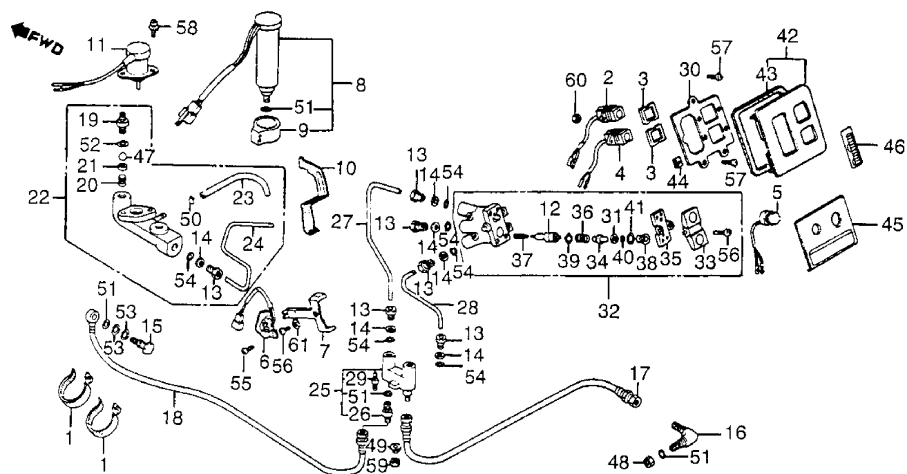
GL1200 '84 GL1200A '84,'85 GL1200I '84,'85 GL1200L '85

Block No.

F 45

Block Title:

AIR VALVE / HOSE - GL1200A '84-'85

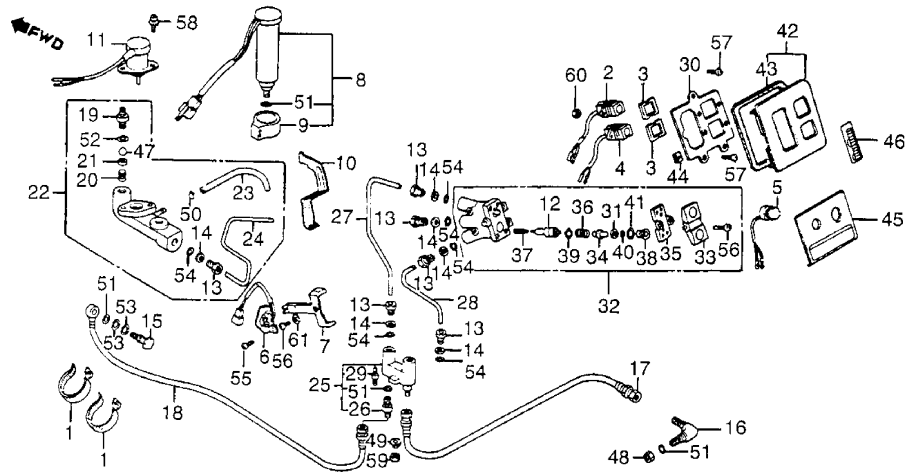


Ref. No.	Part No.	Description
1	32161-438-000	BAND, CABLE
2	35250-MB9-950	SWITCH ASSY., PUMP
3	35252-MB9-870	SEAL, PUMP SWITCH
4	35260-MG9-870	SWITCH ASSY., PUMP
5	35270-MG9-871	SWITCH ASSY., PUMP
6	35300-MG9-870	SWITCH, AIR PRESSURE
7	35310-MB9-950	LEVER
8	35660-MB9-951	SENSOR, AIR PRESSURE
9	35665-MB9-950	SETTING, AIR SENSOR
10	36145-MG9-870	STAY
11	36163-MG9-870	VALVE, SOLENOID
12	51456-MB9-871	VALVE, AIR
13	51886-MG9-871	TUBE, JOINT
14	51888-SA5-800	COLLAR, JOINT
15	52628-MG9-871	BOLT, AIR HOSE
16	52629-MB9-950	JOINT, ELBOW
17	52630-MG9-871	HOSE COMP., AIR
18	52650-MG9-871	HOSE COMP., AIR
18	52650-MG9-951	HOSE COMP., AIR
19	52721-MB9-951	CONNECTOR
20	52723-MB9-870	SPRING, VALVE
21	52726-MB9-871	WASHER, CAP
22	52730-MG9-871	JOINT, FOUR-WAY
23	52733-MG9-871	HOSE, DRAIN
24	52734-MG9-870	TUBE

Catalog Title:
GL1200 '84 GL1200A '84,'85 GL1200I '84,'85 GL1200L '85

Block No.
F 45

Block Title:
AIR VALVE / HOSE - GL1200A '84-'85



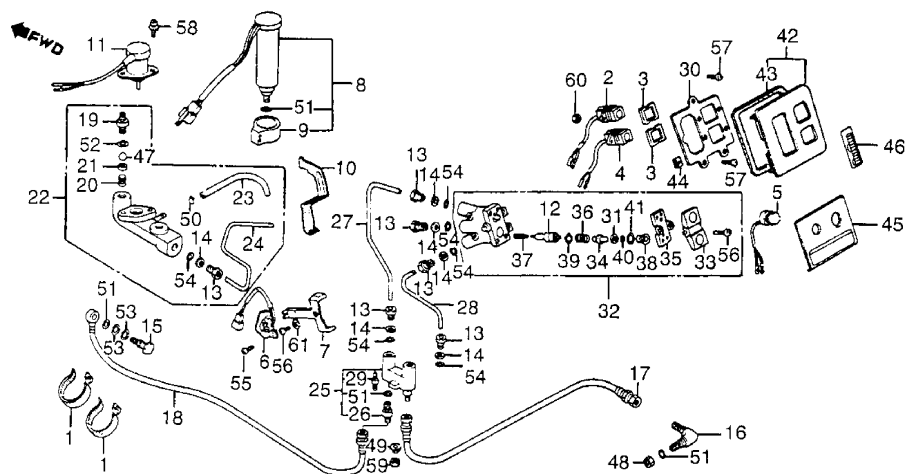
Ref. No.	Part No.	Description
25	52735-MG9-870	JOINT SUB-ASSY.
26	52737-MG9-871	CONNECTOR
27	52738-MG9-870	TUBE
28	52739-MG9-870	TUBE
29	52744-MG9-871	BOLT, STUD (6X22)
30	52745-MG9-870	PLATE
31	52757-MB9-871	RUBBER, SEAL
32	52760-MG9-870	VALVE ASSY., MAIN
33	52762-MG9-871	BUTTON, MAIN VALVE
34	52763-MB9-871	SHAFT, MAIN VALVE
35	52764-MB9-951	CAP, MAIN VALVE
36	52765-MB9-871	SPRING, MAIN VALVE
37	52766-MB9-871	SUB-SPRING
38	52769-MB9-871	GUIDE, SHAFT
39	52771-MB9-871	O-RING A (7.5X1.5) '84A
39	91301-053-000	O-RING (7.5X15) '85A
39	91302-HB3-004	O-RING (7.5X1.5) '85A
40	52772-MB9-871	O-RING B (4.5X1.5) '84A
40	91351-SA5-951	O-RING (4.5X1.5) '85A
40	91351-SA5-952	O-RING (4.5X1.5) '85A
41	52773-MB9-871	O-RING C (8.5X1.5) '84A
41	91352-671-003	O-RING (8.5X1.5) '85A
41	91352-671-004	O-RING (8.5X1.5) '85A
42	52810-MG9-870	PNL *NH105* (TYPE3)
42	52810-MG9-870ZC	PNL *NH105* (TYPE3)

Catalog Title:
GL1200 '84 GL1200A '84,'85 GL1200I '84,'85 GL1200L '85

Block No.
F 45

Block Title:
AIR VALVE / HOSE - GL1200A '84-'85

Ref. No.	Part No.	Description
43	52811-MG9-770	RUBBER, PANEL
44	64521-MC7-000	NUT, CLIP (4MM)
45	87519-MG9-870	PLATE
46	87526-MG9-870	LABEL
47	90211-MB9-870	BALL, STEEL (10)
48	90301-MB9-950	NUT, LOCK (12MM)
49	90522-170-700	COLLAR
50	90601-MG9-871	CLIP, TUBE (4.5)
50	95002-45000	CLIP, TUBE (4.5)
51	91301-469-003	O-RING (5.8X1.9)
51	91305-323-000	O-RING (5.8X1.9)
51	91318-ME5-003	O-RING (5.6X1.9)
52	91301-PC9-003	O-RING (7.7X2.3)
52	91308-283-000	O-RING (7.8X2.2)
53	91351-671-003	O-RING (7MM)
53	91351-671-004	O-RING (7MM)
54	91354-SA6-800	O-RING (P3)
55	93500-03006-0A	SCREW, PAN (3X6)
56	93500-03006-0H	SCREW, PAN (3X6)
57	93500-04010-0G	SCREW, PAN (4X10)
58	93893-05012-08	SCREW-WASHER (5X12)

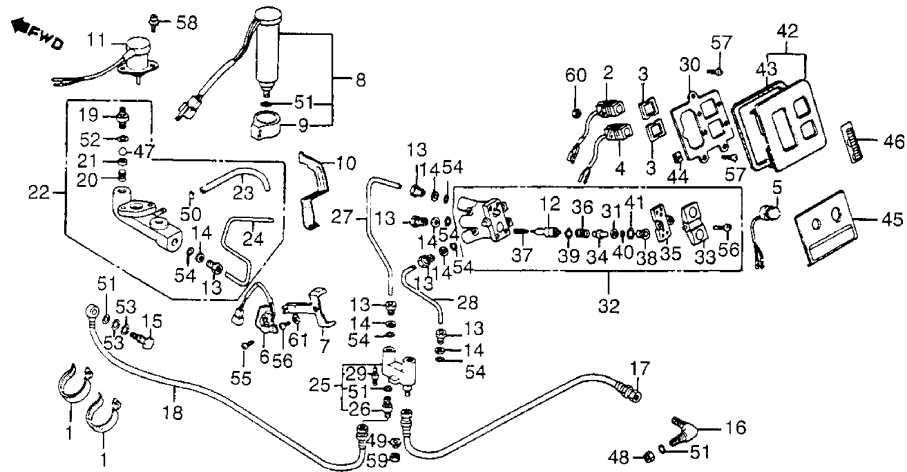


Catalog Title:
GL1200 '84 GL1200A '84,'85 GL1200I '84,'85 GL1200L '85

Block No.
F 45

Block Title:
AIR VALVE / HOSE - GL1200A '84-'85

Ref. No.	Part No.	Description
58	93893-05012-18	SCREW-WASHER (5X12)
59	94001-06000-0S	NUT, HEX. (6MM)
59	94001-06200-0S	NUT, HEX. (6MM)
60	94002-04000-0S	NUT, HEX. (4MM)
61	94101-03000	WASHER, PLAIN (3MM)



Catalog Title:

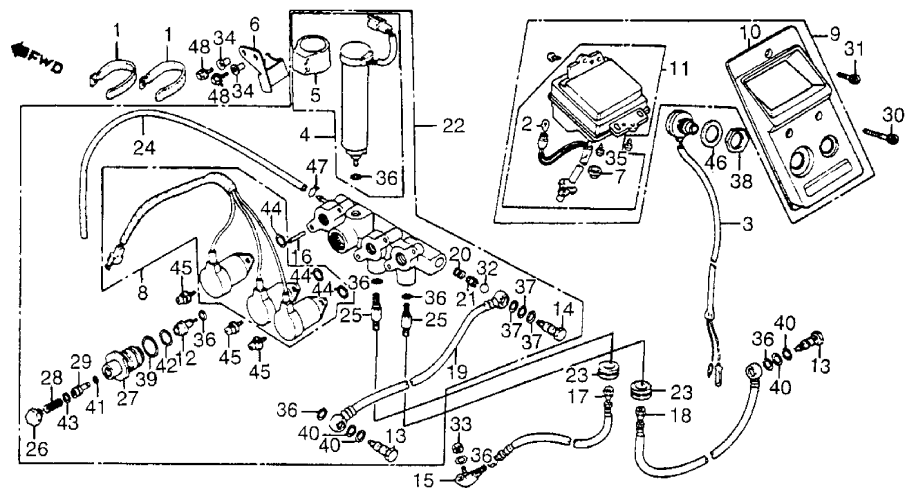
GL1200 '84 GL1200A '84,'85 GL1200I '84,'85 GL1200L '85

Block No.

F 4501

Block Title:

AIR DISTRIBUTOR - GL1200L

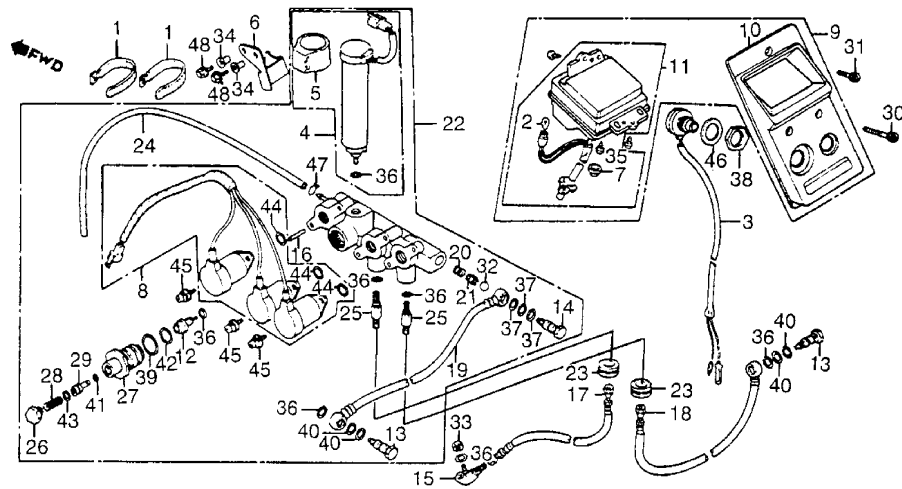


Ref. No.	Part No.	Description
1	32161-438-000	BAND, CABLE
2	34908-MB0-003	BULB (12V/3W)
3	35270-MG9-950	SWITCH ASSY., PUMP
4	35660-MG9-951	SENSOR, AIR PRESSURE
5	35665-MB9-950	SETTING, AIR SENSOR
6	36145-MG9-950	STAY
7	37116-KG4-008	CAP A
8	38500-MG9-951	VALVE, LEVELING
9	38800-MG9-951	DISPLAY, LEVELING
10	38801-MG9-951	VISOR COMP.
11	38802-MG9-951	DISPLAY, LEVELING
12	51458-MG9-951	VALVE, AIR
13	52628-MG9-871	BOLT, AIR HOSE
14	52628-MG9-951	BOLT, AIR HOSE
15	52630-MG9-950	JOINT, AIR HOSE
16	52637-MG9-951	PIN
17	52640-MG9-951	HOSE COMP., AIR
18	52650-MG9-951	HOSE COMP., AIR
19	52660-MG9-951	HOSE COMP., AIR
20	52723-MB9-870	SPRING, VALVE
21	52726-MB9-870	WASHER, CAP
21	52726-MB9-871	WASHER, CAP
22	52730-MG9-951	DISTRIBUTOR, AIR
23	52731-MG9-950	GROMMET
24	52733-MG9-950	HOSE

Catalog Title:
GL1200 '84 GL1200A '84,'85 GL1200I '84,'85 GL1200L '85

Block No.
F 4501

Block Title:
AIR DISTRIBUTOR - GL1200L



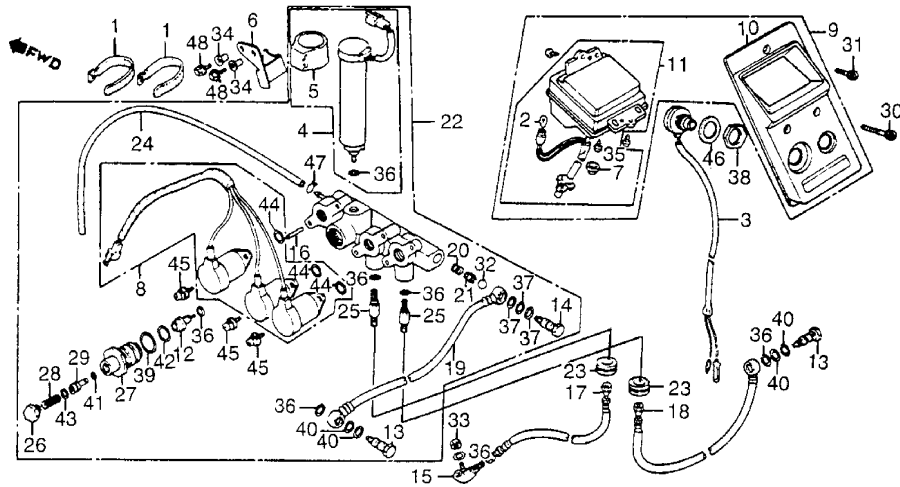
Ref. No.	Part No.	Description
25	52737-MG9-871	CONNECTOR
26	52741-MG9-951	BOLT, PLUG
27	52742-MG9-951	CYLINDER
28	52743-MG9-951	SPRING, COIL
29	52744-MG9-951	ROD, PUSH
30	90126-MG9-950	BOLT, SOCKET (4X30)
31	90127-MG9-950	BOLT, SOCKET (4X15)
32	90211-MB9-870	BALL, STEEL (10)
33	90301-MB9-950	NUT, LOCK (12MM)
34	90402-GB0-900	WASHER
35	90893-MG9-951	SCREW, TAP (2.6X10)
36	91301-469-003	O-RING (5.8X1.9)
36	91305-323-000	O-RING (5.8X1.9)
36	91318-ME5-003	O-RING (5.6X1.9)
37	91301-PC9-003	O-RING (7.7X2.3)
37	91308-283-000	O-RING (7.8X2.2)
38	91342-MG9-950	NUT
39	91351-MG9-951	O-RING (19.5X1.5)
40	91351-671-003	O-RING (7MM)
40	91351-671-004	O-RING (7MM)
41	91352-MG9-951	O-RING (2.5X1.5)
42	91353-MG9-951	O-RING (13.5X1.5)
43	91354-MG9-951	O-RING (7.8X1.9)
44	91357-MG9-951	O-RING
45	93893-05012-08	SCREW-WASHER (5X12)

Catalog Title:
GL1200 '84 GL1200A '84,'85 GL1200I '84,'85 GL1200L '85

Block No.
F 4501

Block Title:
AIR DISTRIBUTOR - GL1200L

Ref. No.	Part No.	Description
45	93893-05012-18	SCREW-WASHER (5X12)
46	94102-20700	WASHER, PLAIN (20MM)
47	95002-45000	CLIP, TUBE (4.5)
48	95701-06012-07	BOLT, FLANGE (6X12)
48	95900-06012-07	BOLT, FLANGE (6X12)



Catalog Title:

GL1200 '84 GL1200A '84,'85 GL1200I '84,'85 GL1200L '85

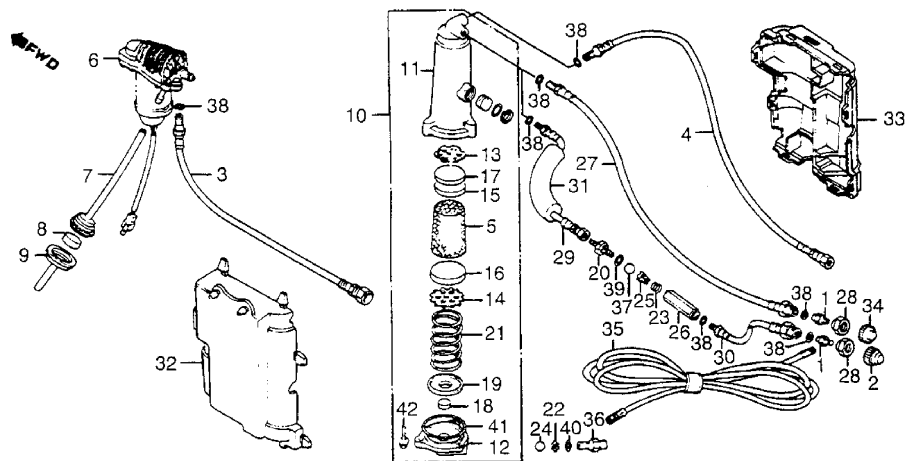
Block No.

F 46

Block Title:

AIR PUMP DRIER - GL1200A/L '84-'85

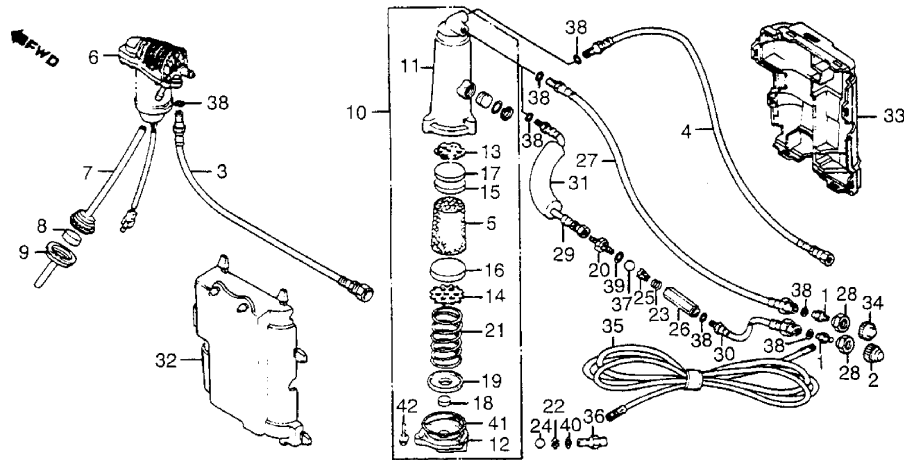
Ref. No.	Part No.	Description
1	51456-469-013	VALVE COMP., AIR
2	51457-MG9-951	CAP ASSY., VALVE '85L
2	52725-MG9-951	SEAL B '85L
3	52645-MG9-405	HOSE COMP., AIR '84A '85A/L
3	52645-MG9-871	HOSE COMP., AIR '84A '85A/L
3	52726-MG9-951	VALVE A, CHECK '85L
4	52660-MG9-871	HOSE COMP. E, AIR '84A '85A
4	52660-MG9-951	HOSE COMP., AIR '85L
5	527A2-MB9-870	DESICCANT '84A '85A/L
6	52700-MB9-871	PUMP ASSY., AIR '84A '85A
6	52700-MG9-951	PUMP ASSY., AIR '85L
7	52705-MG9-870	TUBE, AIR '84A '85A/L
8	52706-MB9-870	ELEMENT, PUMP '84A '85A/L
9	52707-MB9-870	TUBE B, AIR '84A '85A/L
10	52710-MG9-871	DRIER ASSY. '84A '85A
10	52710-MG9-951	DRIER ASSY. '85L
11	52711-MB9-951	FRAME, DRIER '84A '85A/L
12	52712-MG9-951	COVER, DRIER '84A '85A/L
13	52713-MB9-870	RETAINER '84A '85A/L
14	52714-MB9-870	RETAINER '84A '85A/L
15	52715-MB9-870	FILTER '84A '85A/L
16	52716-MB9-870	FILTER '84A '85A/L
17	52717-MB9-870	FILTER '84A '85A/L
18	52718-MB9-870	FILTER '84A '85A



Catalog Title:
GL1200 '84 GL1200A '84,'85 GL1200I '84,'85 GL1200L '85

Block No.
F 46

Block Title:
AIR PUMP DRIER - GL1200A/L '84-'85



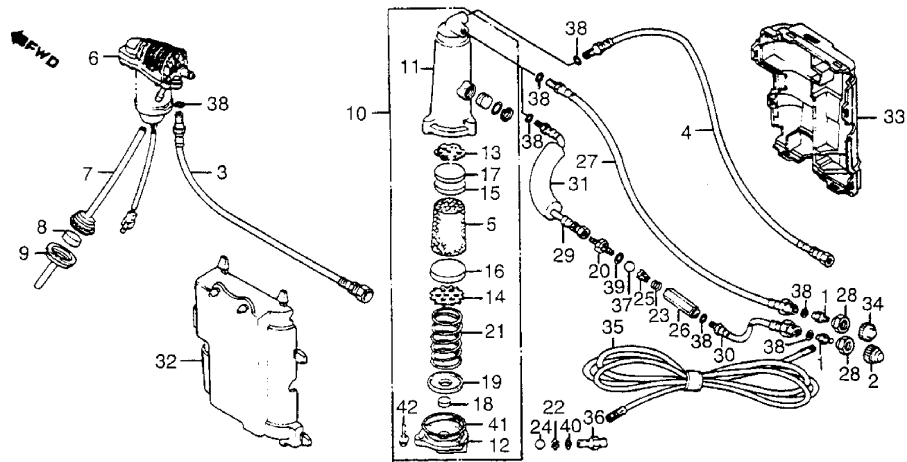
Ref. No.	Part No.	Description
19	52719-MB9-870	RETAINER '84A '85A/L
20	52721-MB9-951	CONNECTOR '85L
21	52722-MB9-870	SPRING '84A '85A
21	52721-MG9-951	SPRING '85L
22	52722-MG9-951	RING, STOPPER '85L
23	52723-MB9-870	SPRING, VALVE '85L
24	52723-MG9-951	SEAL A '85L
25	52726-MB9-871	WASHER, CAP '85L
26	52729-MG9-951	JOINT, HOSE '85L
27	52741-MG9-871	HOSE COMP., DRIER '84A '85A
28	52742-MG9-870	NUT, LOCK (14MM) '84A '85A/L
29	52745-MG9-951	HOSE COMP., AIR '85L
30	52746-MG9-951	HOSE COMP., DRIER '85L
31	52747-MG9-951	PROTECTOR '85L
32	52756-MG9-870	COVER B, PUMP '84A '85A/L
33	52758-MG9-870	COVER, PUMP '84A '85A/L
34	52815-MG9-870	CAP, AIR VALVE '84A '85A
35	52817-MG9-871	HOSE, AIR SUPPLY '84A '85A/L
36	53139-MG9-871	CONNECTOR '84A '85A
36	53139-MG9-951	CONNECTOR '85L
36	53139-MG9-952	CONNECTOR '85L
37	90211-MB9-870	BALL, STEEL (1 '85L0)
38	91301-469-003	O-RING (5.8X1.9) '84A '85A/L
38	91305-323-000	O-RING (5.8X1.9) '84A '85A/L

Catalog Title:
GL1200 '84 GL1200A '84,'85 GL1200I '84,'85 GL1200L '85

Block No.
F 46

Block Title:
AIR PUMP DRIER - GL1200A/L '84-'85

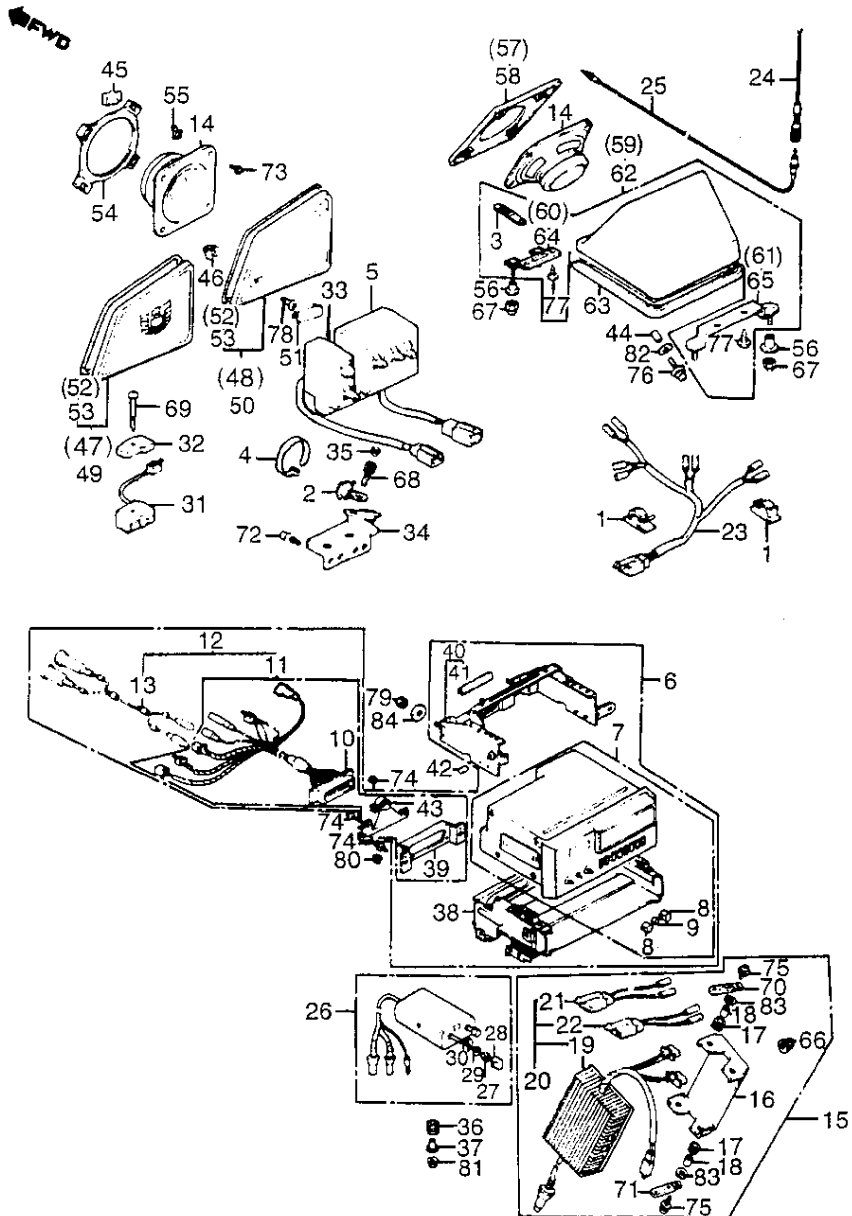
Ref. No.	Part No.	Description
38	91318-ME5-003	O-RING (5.6X1.9) '84A '85A/L
39	91301-PC9-003	O-RING (7.7X2.3) '85L
39	91308-283-000	O-RING (7.8X2.2) '85L
40	91353-MG9-951	O-RING (13.5X1.5) '84A '85A/L
41	91360-MB9-870	O-RING (49.7X3.5) '84A '85A/L
42	93893-04020-08	SCREW-WASHER (4X20) '84A '85A/L
900	52724-MG9-951	SPRING A, COIL '85L
901	52727-MG9-951	VALVE B, CHECK '85L
902	52728-MG9-951	SPRING B, COIL '85L



Catalog Title:
GL1200 '84 GL1200A '84,'85 GL1200I '84,'85 GL1200L '85

Block No.
F 47

Block Title:
RADIO - 1200I/A/L '84-'85

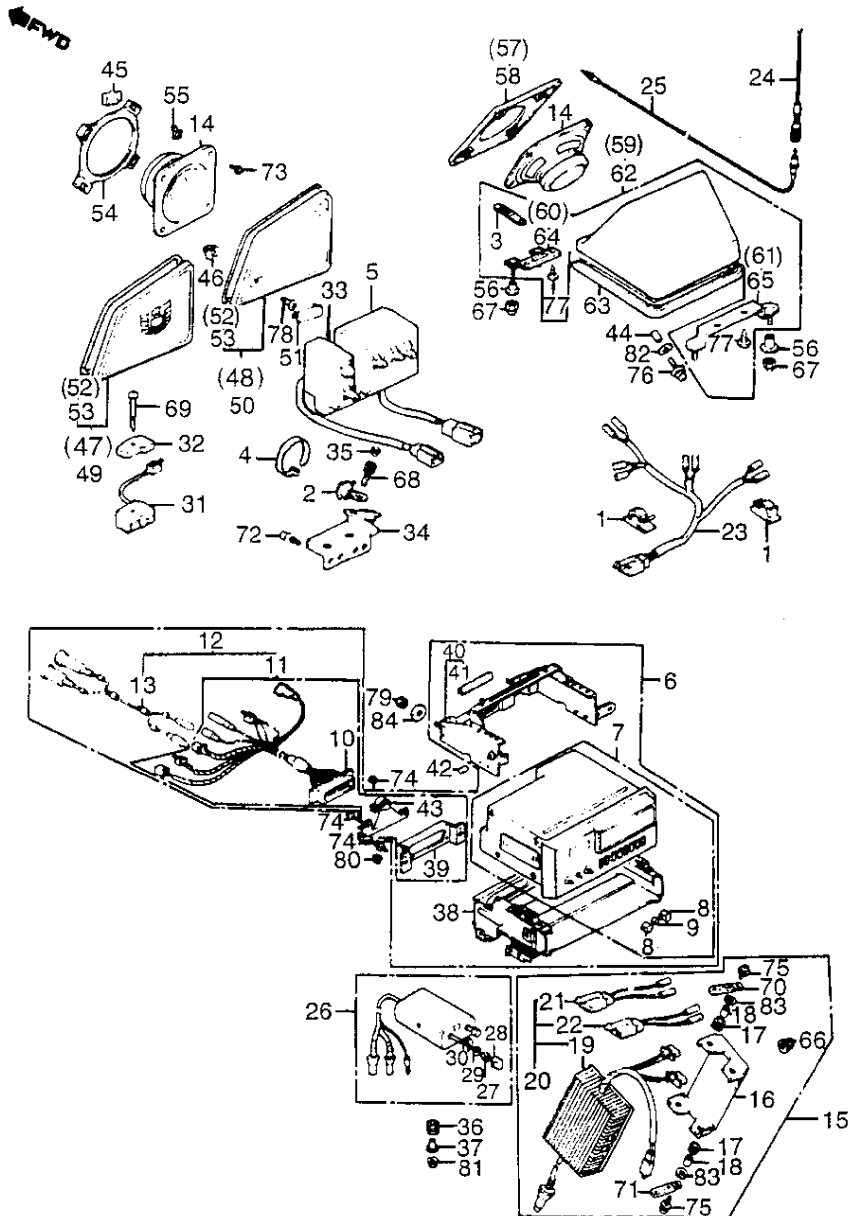


Ref. No.	Part No.	Description
1	32911-MG9-950	CLAMP, CABLE '85L
2	32922-MG9-680	CLAMP, WIRE '85A/L/I
3	32925-958-000	CLIP, PULSER WIRE '85L
4	35701-MG9-950	BAND '85L
5	35800-MG9-951	SWITCH ASSY. '85L
6	39100-MG9-930	RADIO ASSY. (GL1200) '85A/I
6	39100-MG9-950	RADIO ASSY. '85L
6	39100-ML8-751	RADIO ASSY. '85L
7	0Y118-MG910	RADIO COMP. '84A '85A/I
7	08118-MG910	RADIO COMP. '84A '85A/I
7	39110-MG9-871	RADIO COMP.. '84A '85A/I
7	39110-ML8-307	RADIO COMP.. '84A '85A/I
7	39110-ML8-772	RADIO COMP.. '84A '85A/I
7	39110-MG9-951	RADIO COMP. '85L
7	39110-ML8-751	RADIO COMP. '85L
7	39110-ML8-752	RADIO COMP. '85L
8	39111-MG9-871	KNOB, VOLUME '85L/A/I '84A

Catalog Title:
GL1200 '84 GL1200A '84,'85 GL1200I '84,'85 GL1200L '85

Block No.
F 47

Block Title:
RADIO - 1200I/A/L '84-'85

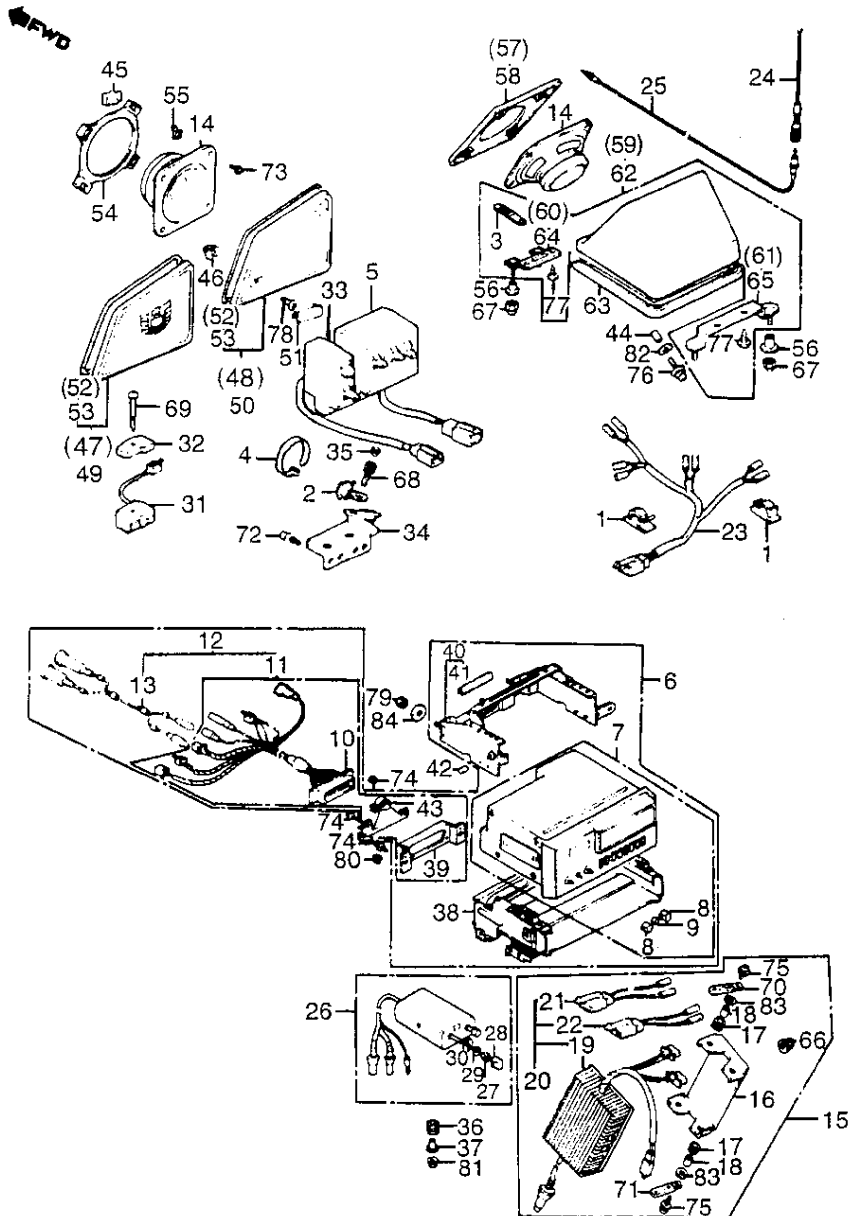


Ref. No.	Part No.	Description
9	39112-MG9-871	KNOB, MUTE '84A '85A/L/I
10	39115-MG9-870	WIRE HARNESS, AUDIO.'84A '85A/I/L
10	39120-MG9-871	HARNESS ASSY., AUDIO.'84A '85A/I/L
11	39120-MG9-871	HARNESS ASSY., AUDIO'84A '85I/A
12	39125-MG9-950	HARNESS ASSY., AUDIO '85L
13	39126-MG9-950	SUB-HARNESS, AUDIO '85L
14	39130-MG9-871	SPEAKER UNIT '84A '85A/I/L
15	39140-MG9-871	AMPLIFIER, POWER .'84A '85A/I
15	39140-MG9-872	AMPLIFIER, POWER .'84A '85A/I
15	39140-MG9-951	AMPLIFIER, POWER '85L
15	39140-MG9-952	AMPLIFIER, POWER '85L
16	39141-MG9-871	BRACKET .'84A '85A/L/I
17	39142-MG9-871	RUBBER, SETTING.'84A '85A/I/L
18	39143-MG9-871	COLLAR.'84A '85A/I/L

Catalog Title:
GL1200 '84 GL1200A '84,'85 GL1200I '84,'85 GL1200L '85

Block No.
F 47

Block Title:
RADIO - 1200I/A/L '84-'85

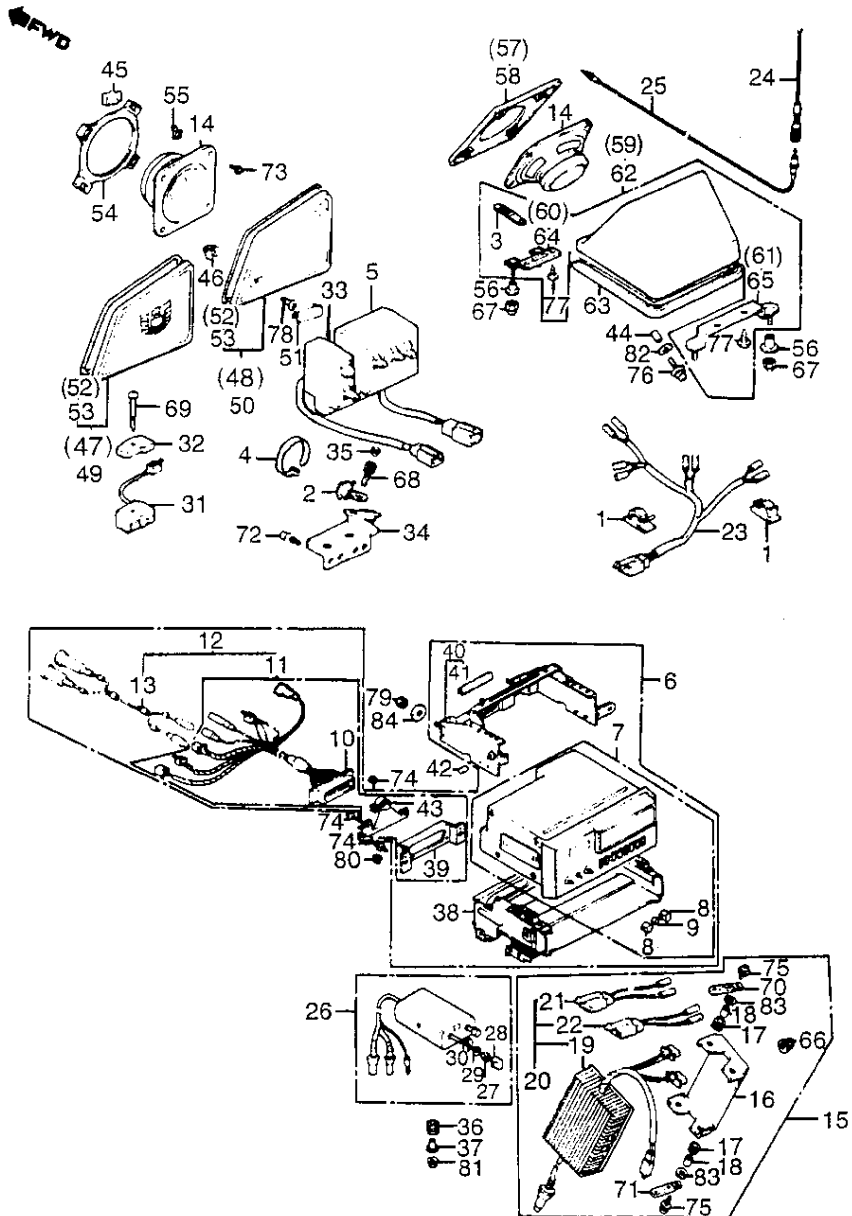


Ref. No.	Part No.	Description
19	39144-MG9-871	AMPLIFIER, POWER '84A '85A/I/L
19	39144-MG9-872	AMPLIFIER, POWER '84A '85A/I/L
20	39145-MG9-871	AMPLIFIER, POWER '84A '85A/I/L
20	39145-MG9-872	AMPLIFIER, POWER '84A '85A/I/L
21	39146-MG9-871	SUB-WIRE, R. SPEAKER '85A/I
22	39147-MG9-871	SUB-WIRE, L. SPEAKER '85A/I
23	39148-MG9-950	SUB-WIRE, RR. '85L
24	39150-MG9-870	ANTENNA (GL1200) '84A '85A/L/I
24	39151-MG9-872	ANTENNA (GL1200) '84A '85A/I/L
25	39152-MG9-871	FEEDER, ANTENNA '84A '85A/L/I
26	39190-MG9-871	VOLUME UNIT, AUTO '84A '85A/I
26	39190-MG9-872	VOLUME UNIT, AUTO '84A '85A/I
26	39190-MG9-951	VOLUME UNIT, AUTO '85L
27	39191-MG9-871	NUT, AUTO VOLUME '84A '85A/L/I

Catalog Title:
GL1200 '84 GL1200A '84,'85 GL1200I '84,'85 GL1200L '85

Block No.
F 47

Block Title:
RADIO - 1200I/A/L '84-'85

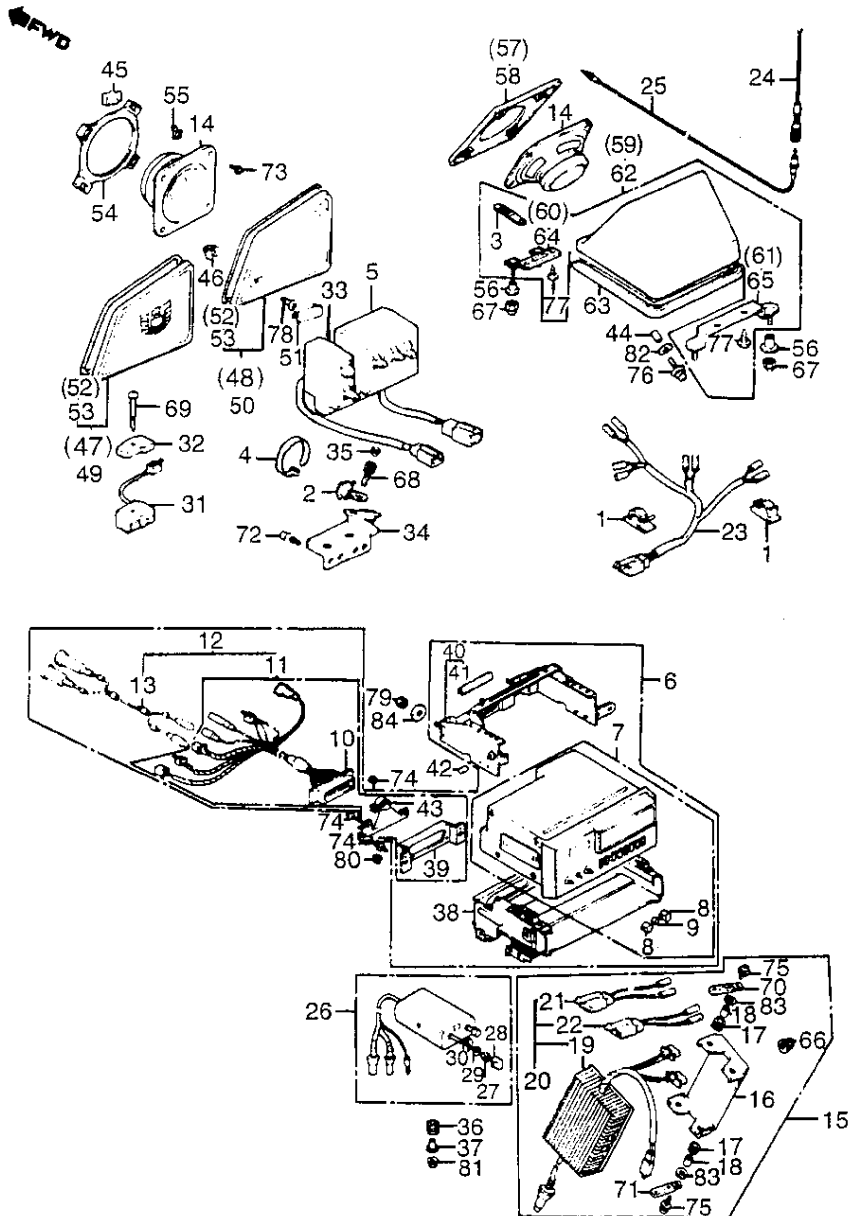


Ref. No.	Part No.	Description
28	39193-MG9-871	KNOB, AUTO VOLUME.'84A '85A/L/I
29	39194-MG9-871	WASHER.'84A '85A/L/I
30	39196-MG9-871	GASKET, AUTO VOLUME.'84A '85A/L/I
31	39200-MG9-871	SWITCH, RADIO SELECT '84A
32	39210-MG9-870	SPACER, RADIO SWITCH '84A
33	39210-MG9-931	SWITCH, RADIO SELECT '85A/I
33	39210-MG9-951	SWITCH, RADIO SELECT - ALL '85
34	39215-MG9-931	STAY, RADIO SWITCH.'85A/I
34	39215-MG9-950	STAY, RADIO HEIGHT '85L
35	39230-MG9-930	CAP, SOCKET BOLT - ALL '85
36	39264-MG9-870	RUBBER C, SETTING '84A '85A/L/I
37	39265-MG9-870	COLLAR '84A - ALL '85
38	39330-MG9-871	BRACKET ASSY., RADIO '84A - ALL '85
39	39331-MG9-871	HOLDER, CONNECTOR '84A - ALL '85

Catalog Title:
GL1200 '84 GL1200A '84,'85 GL1200I '84,'85 GL1200L '85

Block No.
F 47

Block Title:
RADIO - 1200I/A/L '84-'85

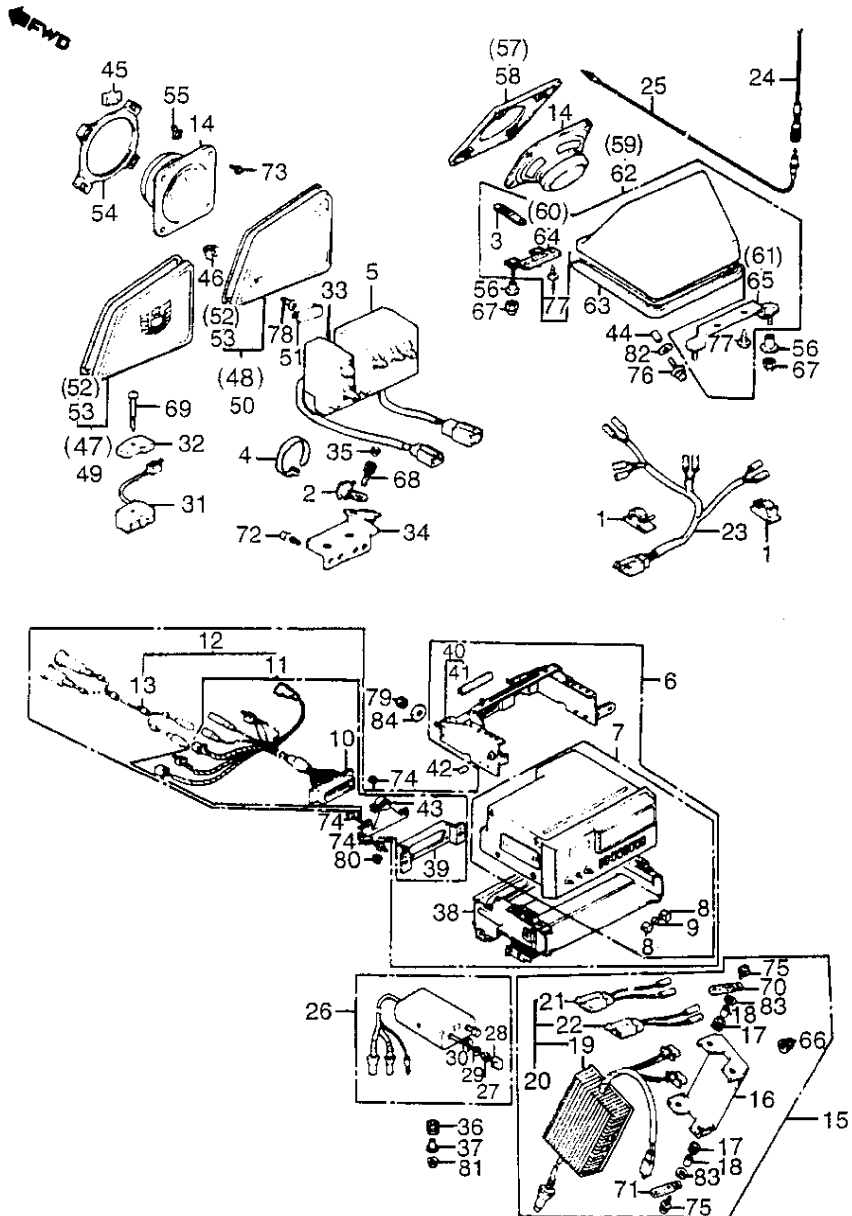


Ref. No.	Part No.	Description
40	39340-MG9-870	BRACKET COMP., RADIO '84A - ALL '85
41	39341-MG9-870	RUBBER '84A - ALL '85
42	39342-MG9-870	CAP, RADIO BRACKET '84A - ALL '85
43	39345-MG9-870	CLAMP, RADIO HARNESS '84A - ALL '85
44	64243-MG9-870	COLLAR, METER PANEL '85L
45	64255-MG9-930	NUT, SPEAKER SETTING - ALL '85
46	64266-MG9-770	GROMMET '84A/I
46	64258-MG9-931	GROMMET '85A/L/I
47	64261-MG9-770	GRILLE, R. *NH136MU* '84I '85I
47	64261-MG9-770ZB	GRILLE, R. *NH136MU* '84I '85I
48	64261-MG9-871	GRILLE, R. SPEAKER '84A
48	64261-MG9-930	GRILLE, R. SPEAKER '85A
48	64261-MG9-950	GRILLE, R. SPEAKER '85L
49	64262-MG9-770	GRILLE, L. *NH136MU* '84I '85I
49	64262-MG9-770ZB	GRILLE, L. *NH136MU* '84I '85I
50	64262-MG9-871	GRILLE, L. SPEAKER '84A

Catalog Title:
GL1200 '84 GL1200A '84,'85 GL1200I '84,'85 GL1200L '85

Block No.
F 47

Block Title:
RADIO - 1200I/A/L '84-'85

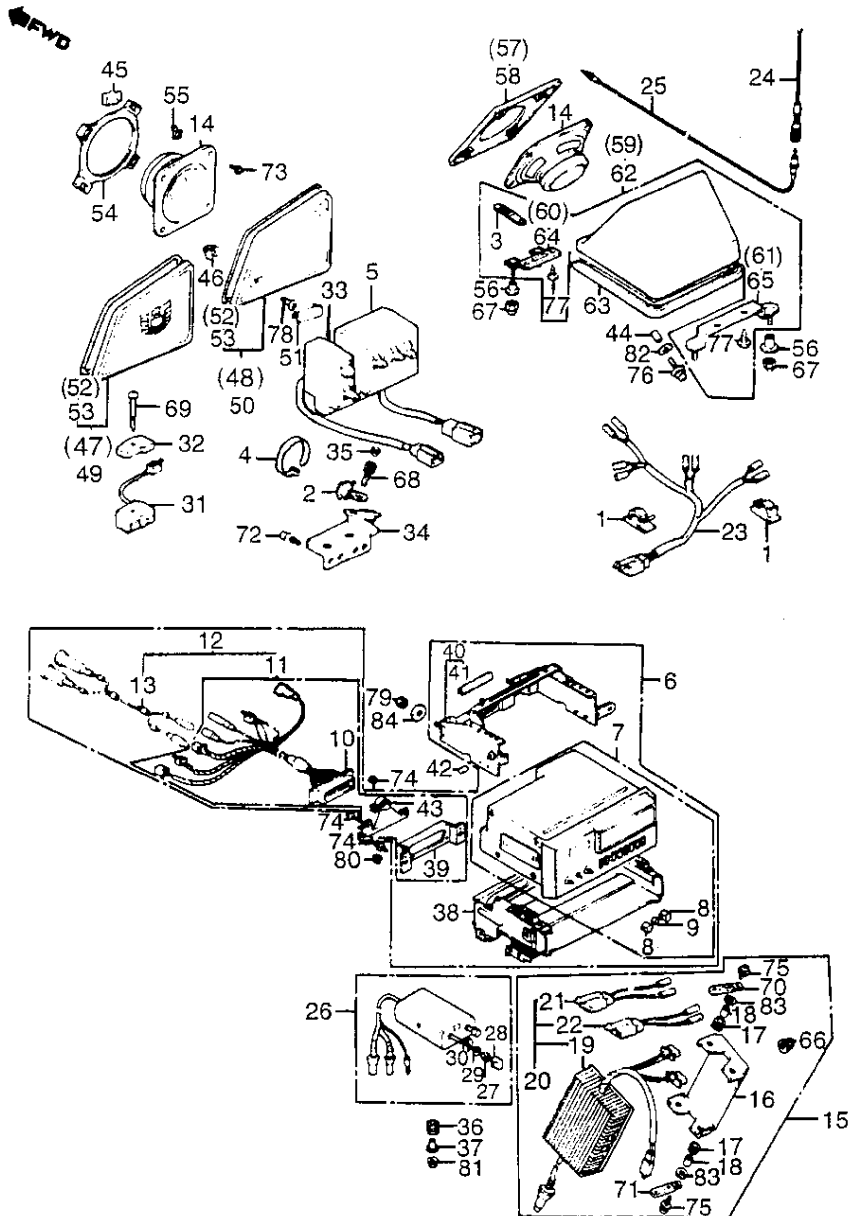


Ref. No.	Part No.	Description
50	64262-MG9-930	GRILLE, L. SPEAKER '85A/I
50	64262-MG9-950	GRILLE, L. SPEAKER '85L
51	64263-MG9-930	EMBLEM '85A '85L '85I
52	64264-MG9-770	RUBBER, R.
53	64265-MG9-770	RUBBER, L.
54	64310-MG9-870	SPACER, SPEAKER '84A '85A/L/I
55	64522-MG9-770	NUT, CLIP '84A/I '85A/I
56	80114-KG7-000	COLLAR, RR. FENDER '85L
57	81157-MG9-950	GRL, R. SPEAKER BOX '85L
57	81157-MG9-950ZA	GRILLE, R. *R58L* '85L
58	81167-MG9-950	GRL, L. SPEAKER BOX '85L
58	81167-MG9-950ZA	GRILLE, L. *R58L* '85L
59	81175-MG9-950	BOX, R. RR. SPEAKER '85L
59	81175-MG9-950ZA	BOX, R. RR. *R58L* '85L
60	81177-MG9-950	BRACKET A, R. '85L
61	81178-MG9-950	BRACKET B, R. '85L
62	81185-MG9-950	BOX, L. RR. SPEAKER '85L
62	81185-MG9-950ZA	BOX, L. RR. *R58L* '85L
63	81186-MG9-950	RUBBER '85L
64	81187-MG9-950	BRACKET A, L. '85L
65	81188-MG9-950	BRACKET B, L. '85L

Catalog Title:
GL1200 '84 GL1200A '84,'85 GL1200I '84,'85 GL1200L '85

Block No.
F 47

Block Title:
RADIO - 1200I/A/L '84-'85

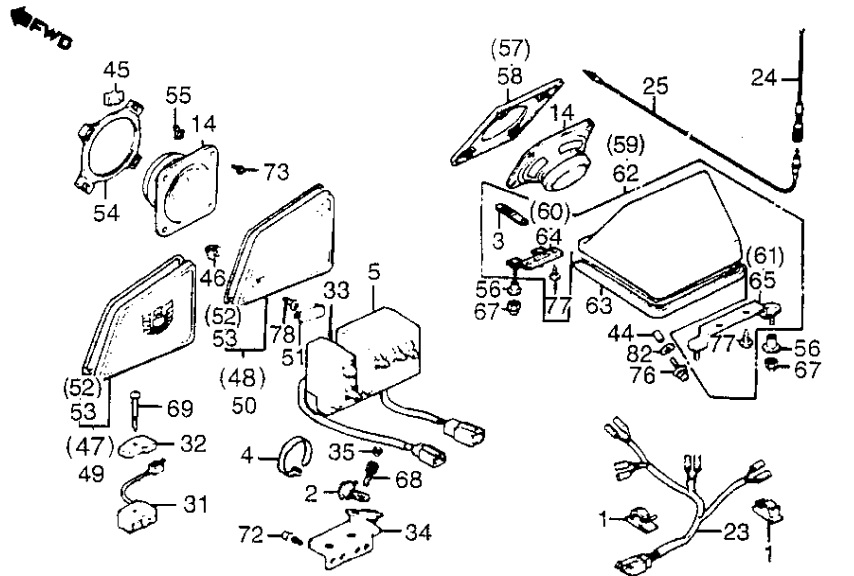


Ref. No.	Part No.	Description
66	90105-MG9-871	NUT (5MM) '84A '85A/L/I
67	90106-MB9-871	NUT (5MM) '85L
68	90115-MG9-930	BOLT, SOCKET (10X16) '85 MODELS
69	90161-MG9-870	SCREW, TAP (3X34) '84A - ALL '85
70	90591-MG9-870	CLIP (2X50) '84A - ALL '85
71	90592-MG9-870	CLIP (2X100) '84A - ALL '85
72	91267-MG9-931	SCREW-WASHER (4X10) - ALL '85
73	93891-04016-00	SCREW-WASHER (4X16) '84A
73	93891-04025-00	SCREW-WASHER (4X25) '84A - ALL '85
74	93892-04006-08	SCREW-WASHER (4X6) '84A - ALL '85
75	93892-05016-08	SCREW-WASHER (5X16) '84A - ALL '85
76	93893-04014-08	SCREW-WASHER (4X14) '85L
77	93903-25220	SCREW, TAP (5X12) '85L
78	93903-34480	SCREW, TAP (4X16) '84A - ALL '85

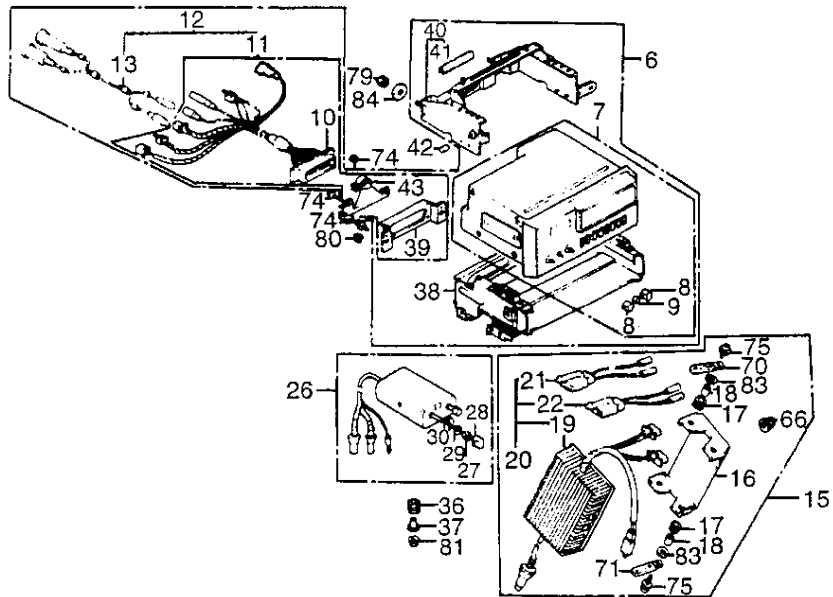
Catalog Title:
GL1200 '84 GL1200A '84,'85 GL1200I '84,'85 GL1200L '85

Block No.
F 47

Block Title:
RADIO - 1200I/A/L '84-'85



Ref. No.	Part No.	Description
78	93903-34480	SCREW, TAP (4X16) '84A - ALL '85
79	94001-06000-0S	NUT, HEX. (6MM) '84A - ALL '85
80	94050-04000	NUT, FLANGE (4MM) '84A - ALL '85
81	94050-05080	NUT, FLANGE (5MM) '84A - ALL '85
82	94101-05000	WASHER, PLAIN (5MM) '85L
83	94103-05800	WASHER, PLAIN (5MM) '84A - ALL '85
84	94103-06000	WASHER, PLAIN (6MM) '84A - ALL '85



Catalog Title:

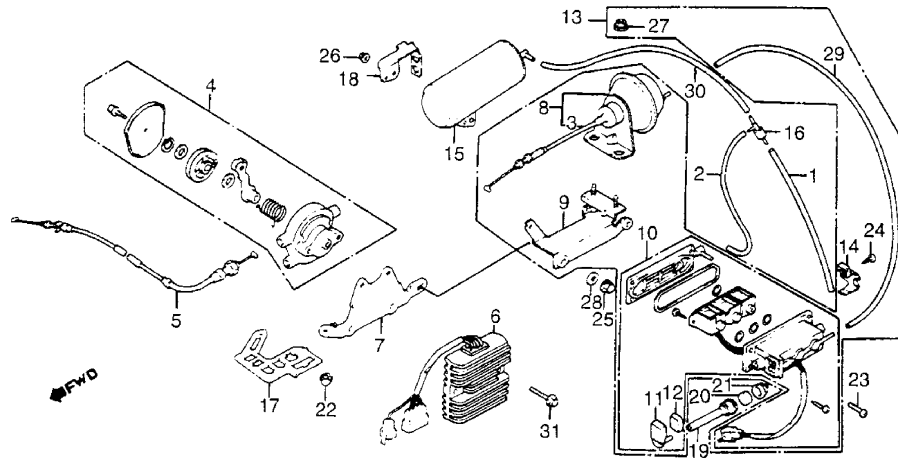
GL1200 '84 GL1200A '84,'85 GL1200I '84,'85 GL1200L '85

Block No.

F 48

Block Title:

CRUISE VALVE / ACTUATOR - GL1200L '85



Ref. No.	Part No.	Description
1	17161-MG9-950	TUBE (2)
2	17162-MG9-950	TUBE (4)
3	17880-MG9-951	CABLE, ACTUATOR
4	17900-MG9-951	BOX ASSY., JUNCTION
5	17930-MG9-950	CABLE COMP.
6	31600-MG9-951	RECTIFIER, REGULATE
6	31600-ML8-305	RECTIFIER, REGULATE
7	31605-MG9-950	STAY
8	36520-MG9-951	ACTUATOR ASSY.
9	36525-MG9-951	BRACKET
10	36530-MG9-952	VALVE ASSY., CRUISE
11	36531-MG9-951	COVER COMP., FILTER
12	36532-MG9-951	FILTER, SUCTION
13	36540-MG9-952	VALVE & ACTUATOR
14	36541-MG9-951	PLATE, NOZZLE GUARD
15	36625-MG9-951	TANK COMP., VACUUM
16	36627-PC1-004	VALVE, CHECK
16	36627-PC1-014	VALVE, CHECK
17	50201-MG9-950	HOLDER E, CONNECTOR
18	50211-MG9-950	HOLDER B, CONNECTOR
19	52705-MG9-950	TUBE, AIR
20	52706-MG9-950	ELEMENT, PUMP
21	52707-MG9-950	TUBE, AIR
22	90201-415-000	NUT, CAP (6MM)
22	94050-06000	NUT, FLANGE (6MM)

Catalog Title:

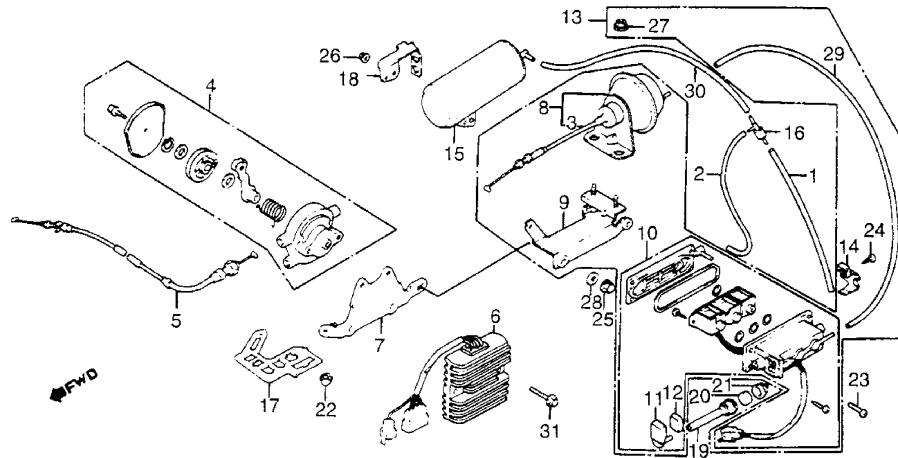
GL1200 '84 GL1200A '84,'85 GL1200I '84,'85 GL1200L '85

Block No.

F 48

Block Title:

CRUISE VALVE / ACTUATOR - GL1200L '85



Ref. No.	Part No.	Description
23	93500-04006-0A	SCREW, PAN (4X6)
23	93500-04006-1A	SCREW, PAN (4X6)
24	93901-26080	SCREW, TAP (6X10)
25	94021-06000-0S	NUT, CAP (6MM)
25	94021-06020	NUT, CAP (6MM)
25	94021-06020-0S	NUT, CAP (6MM)
25	94022-06020	NUT, CAP (6MM)
26	94050-06000	NUT, FLANGE (6MM)
27	94050-06080	NUT, FLANGE (6MM)
28	94103-06800	WASHER, PLAIN (6MM)
29	95001-45003-20M	BULK HOSE (4.5X3000)
30	95005-45008-10M	BULK HOSE (4.5X8000)
31	95700-06020-08	BOLT, FLANGE (6X20)
31	95701-06020-08	BOLT, FLANGE (6X20)

Catalog Title:

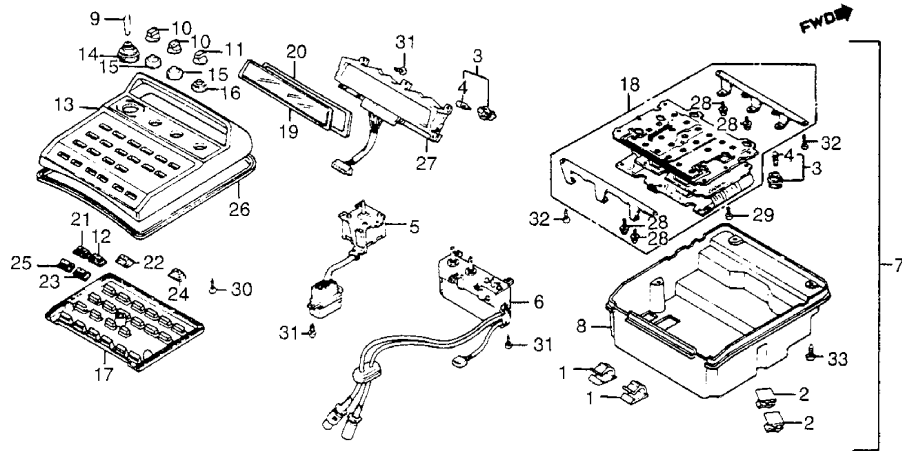
GL1200 '84 GL1200A '84,'85 GL1200I '84,'85 GL1200L '85

Block No.

F 49

Block Title:

ELECTRONIC NAVIGATOR - GL1200L '85



Ref. No.	Part No.	Description
1	32911-MG9-950	CLAMP, CABLE
2	32912-MG9-950	CLAMP, CABLE
3	35505-SA5-003	SOCKET (14V 1.4W)
4	35506-SA5-003	BULB (14V1.4W)
5	39170-MG9-951	BALANCER (4)
6	39190-MG9-951	VOLUME UNIT, AUTO
7	39800-MG9-952	NAVIGATOR, EL
8	39801-MG9-951	CASE COMP. (LOWER)
9	39802-MG9-951	KNOB, BALANCER
10	39803-MG9-951	KNOB, VOLUME
11	39804-MG9-951	KNOB, CLOCK
12	39805-MG9-951	KNOB
13	39806-MG9-505	CASE, SET (UPPER)
13	39806-MG9-951	CASE, SET (UPPER)
14	39807-MG9-951	GASKET, BALANCER
15	39808-MG9-951	GASKET, BALANCER
16	39809-MG9-951	GASKET
17	39810-MG9-951	RUBBER
18	39811-MG9-952	CIRCUIT COMP.
19	39812-MG9-951	LENS
20	39813-MG9-951	GASKET, LENS
21	39814-MG9-951	KNOB, VOLUME
22	39815-MG9-951	KNOB, GREEN
23	39816-MG9-951	KNOB, ORANGE
24	39817-MG9-951	KNOB

Catalog Title:

GL1200 '84 GL1200A '84,'85 GL1200I '84,'85 GL1200L '85

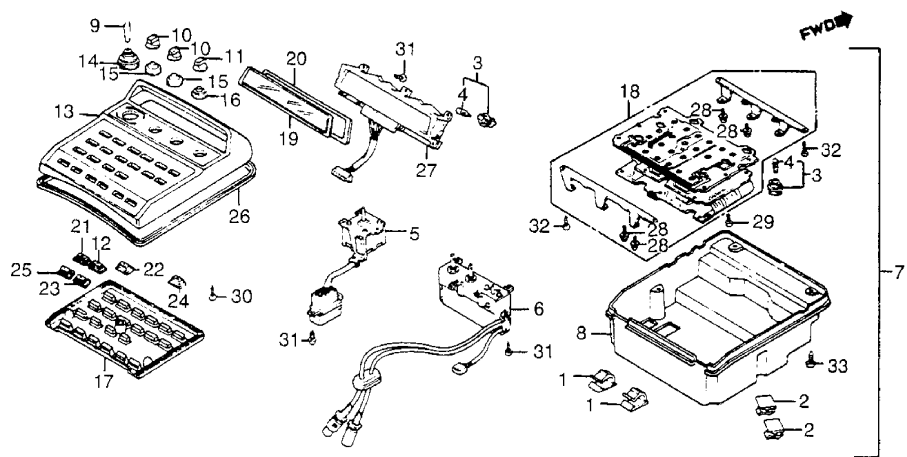
Block No.

F 49

Block Title:

ELECTRONIC NAVIGATOR - GL1200L '85

Ref. No.	Part No.	Description
25	39818-MG9-951	KNOB
26	39819-MG9-951	GASKET, CASE (UPPER)
27	39821-MG9-951	L.C.D. UNIT
28	90164-MG9-811	SCREW-WASHER (3X8)
29	93893-04008-08	SCREW-WASHER (4X8)
29	93893-04008-18	SCREW-WASHER (4X8)
30	93901-32020	SCREW, TAPPING (3X6)
31	93901-32120	SCREW, TAPPING (3X8)
32	93901-32220	SCREW, TAP (3X10)
33	93901-34380	SCREW, TAP (4X12)



Catalog Title:

GL1200 '84 GL1200A '84,'85 GL1200I '84,'85 GL1200L '85

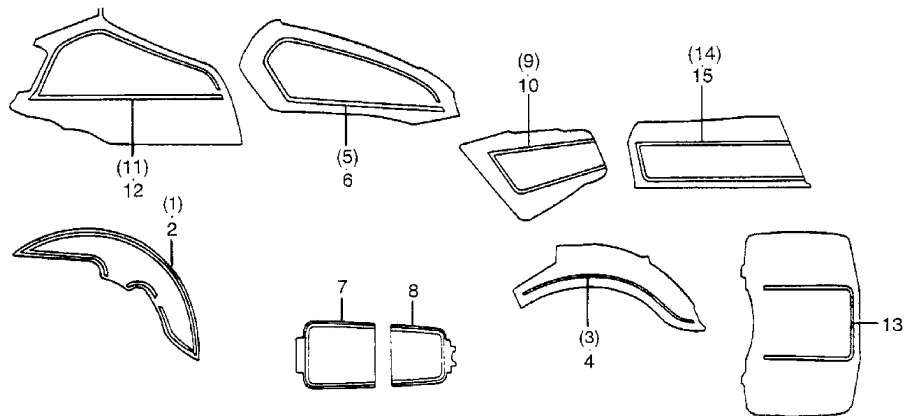
Block No.

F 50

Block Title:

STRIPE - GL1200/I '84

Ref. No.	Part No.	Description
1	61101-MG9-300ZC	STRIPE, R. (TYPE3) '84
1	61101-MG9-300ZA	STRIPE, R. (TYPE1)'84/i
1	61101-MG9-300ZB	STRIPE, R. (TYPE2) '84i
1	61101-MG9-300ZD	STRIPE, R. (TYPE4) '84i
2	61102-MG9-300ZC	STRIPE, L. (TYPE3) '84
2	61102-MG9-300ZA	STRIPE, L. (TYPE1) '84/i
2	61102-MG9-300ZB	STRIPE, L. (TYPE2) '84i
2	61102-MG9-300ZD	STRIPE, L. (TYPE4) '84i
3	80103-MG9-300ZA	STRIPE, R. (TYPE1) '84
3	80103-MG9-300ZB	STRIPE, R. (TYPE3) '84
4	80107-MG9-300ZA	STRIPE, L. (TYPE1) '84
4	80107-MG9-300ZB	STRIPE, L. (TYPE3) '84
5	83103-MG9-300ZA	STRIPE, R. (TYPE1) '84
5	83103-MG9-300ZB	STRIPE, R. (TYPE3) '84
6	83104-MG9-300ZA	STRIPE, L. (TYPE1) '84
6	83104-MG9-300ZB	STRIPE, L. (TYPE3) '84
7	83107-MG9-300ZC	STRIPE (TYPE3) '84
7	83107-MG9-300ZA	STRIPE (TYPE1)'84/i
7	83107-MG9-300ZB	STRIPE (TYPE2) '84i
7	83107-MG9-300ZD	STRIPE (TYPE4) '84i
8	83109-MG9-300ZC	STRIPE (TYPE3) '84
8	83109-MG9-300ZA	STRIPE (TYPE1) '84/i
8	83109-MG9-300ZB	STRIPE (TYPE2) '84i
8	83109-MG9-300ZD	STRIPE (TYPE4) '84i
9	83612-MG9-300ZC	STRIPE, R. (TYPE3) '84



Combination table for stripe (GL 1200 '84 - GL 1200I '84)

Main color	R-114C-U (Candy wine berry red-U)	NH-1Z (Black Z)	NH-136M-U (Senior gray metallic-U)	PB 123P-A (Pearl silver blue-A)
Type of stripe	TYPE-1	TYPE-3	TYPE-2	TYPE-4

Catalog Title:

GL1200 '84 GL1200A '84,'85 GL1200I '84,'85 GL1200L '85

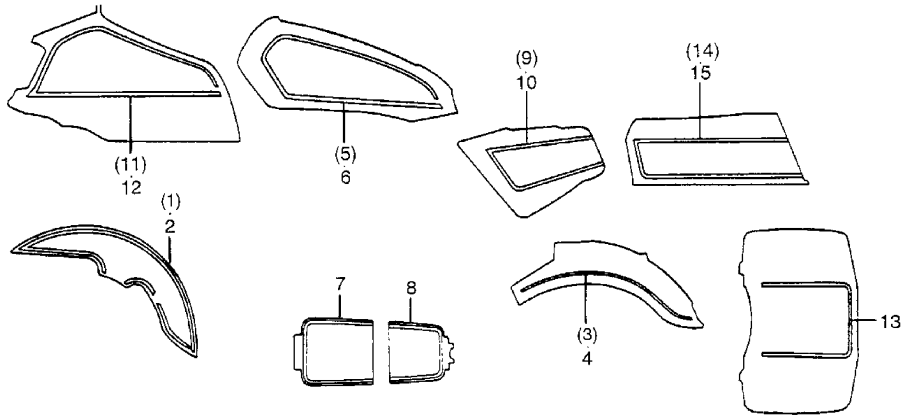
Block No.

F 50

Block Title:

STRIPE - GL1200/I '84

Ref. No.	Part No.	Description
9	83612-MG9-300ZA	STRIPE, R. (TYPE1) '84/i
9	83612-MG9-300ZB	STRIPE, R. (TYPE2) '84i
9	83612-MG9-300ZD	STRIPE, R. (TYPE4)'84i
10	83613-MG9-300ZC	STRIPE, L. (TYPE3) '84
10	83613-MG9-300ZA	STRIPE, L. (TYPE1) '84/'84i
10	83613-MG9-300ZB	STRIPE, L. (TYPE2) '84i
10	83613-MG9-300ZD	STRIPE, L. (TYPE4) '84i
11	87113-MG9-770ZA	STRIPE, R. (TYPE1) '84i
11	87113-MG9-770ZB	STRIPE, R. (TYPE2) '84i
11	87113-MG9-770ZC	STRIPE, R. (TYPE4) '84i
12	87114-MG9-770ZA	STRIPE, L. (TYPE1) '84i
12	87114-MG9-770ZB	STRIPE, L. (TYPE2) '84i
12	87114-MG9-770ZC	STRIPE, L. (TYPE4) '84i
13	87115-MG9-770ZA	STRIPE, RR. (TYPE1) '84i
13	87115-MG9-770ZB	STRIPE, RR. (TYPE2) '84i
13	87115-MG9-770ZC	STRIPE, RR. (TYPE4) '84i
14	87128-MG9-770ZA	STRIPE, R. (TYPE1) '84i
14	87128-MG9-770ZB	STRIPE, R. (TYPE2) '84i
14	87128-MG9-770ZC	STRIPE, R. (TYPE4) '84i
15	87129-MG9-770ZA	STRIPE, L. (TYPE1) '84i
15	87129-MG9-770ZB	STRIPE, L. (TYPE2) '84i
15	87129-MG9-770ZC	STRIPE, L. (TYPE4) '84i



Catalog Title:

GL1200 '84 GL1200A '84,'85 GL1200I '84,'85 GL1200L '85

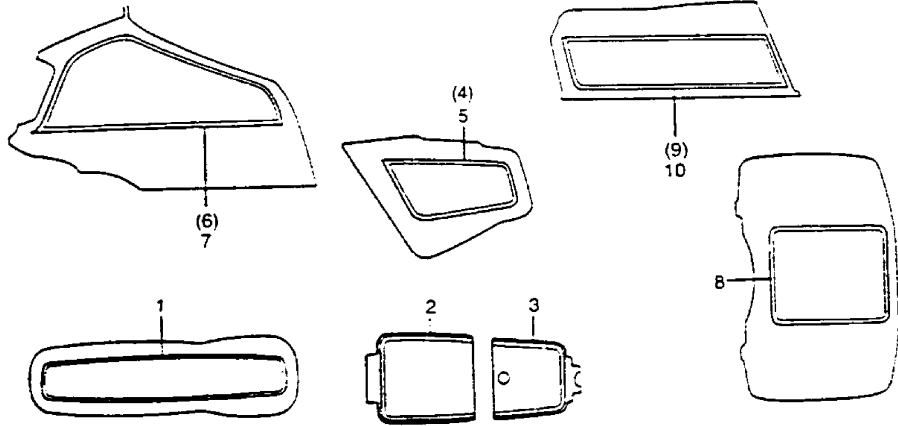
Block No.

F 5001

Block Title:

STRIPE - GL1200A '84-'85

Ref. No.	Part No.	Description
1	61101-MG9-870ZA	STRIPE, FR. (TYPE1) '84A
1	61101-MG9-870ZB	STRIPE, FR. (TYPE2) '84A
1	61101-MG9-870ZC	STRIPE, FR. (TYPE3) '84A
1	61101-MG9-930ZA	STRIPE, FR. (TYPE1) '85A
1	61101-MG9-930ZB	STRIPE, FR. (TYPE2) '85A
1	61101-MG9-930ZC	STRIPE, FR. (TYPE3) '85A
2	83107-MG9-870ZA	STRIPE (TYPE1) '84A
2	83107-MG9-870ZB	STRIPE (TYPE2) '84A
2	83107-MG9-870ZC	STRIPE (TYPE3) '84A
2	83107-MG9-930ZA	STRIPE (TYPE1) '85A
2	83107-MG9-930ZB	STRIPE (TYPE2) '85A
2	83107-MG9-930ZC	STRIPE (TYPE3) '85A
3	83109-MG9-870ZA	STRIPE (TYPE1) '84A
3	83109-MG9-870ZB	STRIPE (TYPE2) '84A
3	83109-MG9-870ZC	STRIPE (TYPE3) '84A
3	83109-MG9-930ZA	STRIPE (TYPE1) '85A
3	83109-MG9-930ZB	STRIPE (TYPE2) '85A
3	83109-MG9-930ZC	STRIPE (TYPE3) '85A
4	83612-MG9-870ZA	STRIPE, R. (TYPE1) '84A
4	83612-MG9-870ZB	STRIPE, R. (TYPE2) '84A
4	83612-MG9-870ZC	STRIPE, R. (TYPE3) '84A
4	83612-MG9-930ZA	STRIPE, R. (TYPE1) '85A
4	83612-MG9-930ZB	STRIPE, R. (TYPE2) '85A
4	83612-MG9-930ZC	STRIPE, R. (TYPE3) '85A
5	83613-MG9-870ZA	STRIPE, L. (TYPE1) '84A



Catalog Title:

GL1200 '84 GL1200A '84,'85 GL1200I '84,'85 GL1200L '85

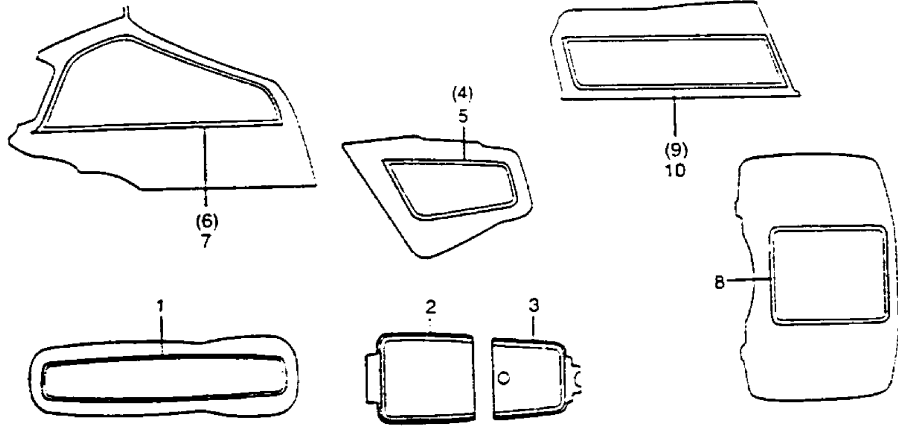
Block No.

F 5001

Block Title:

STRIPE - GL1200A '84-'85

Ref. No.	Part No.	Description
5	83613-MG9-870ZB	STRIPE, L. (TYPE2) '84A
5	83613-MG9-870ZC	STRIPE, L. (TYPE3) '84A
5	83613-MG9-930ZA	STRIPE, L. (TYPE1) '85A
5	83613-MG9-930ZB	STRIPE, L. (TYPE2) '85A
5	83613-MG9-930ZC	STRIPE, L. (TYPE3) '85A
6	87113-MG9-870ZA	STRIPE, R. (TYPE1) '84A
6	87113-MG9-870ZB	STRIPE, R. (TYPE2) '84A
6	87113-MG9-870ZC	STRIPE, R. (TYPE3) '84A
6	87113-MG9-930ZA	STRIPE, R. (TYPE1) '85A
6	87113-MG9-930ZB	STRIPE, R. (TYPE2) '85A
6	87113-MG9-930ZC	STRIPE, R. (TYPE3) '85A
7	87114-MG9-870ZA	STRIPE, L. (TYPE1) '84A
7	87114-MG9-870ZB	STRIPE, L. (TYPE2) '84A
7	87114-MG9-870ZC	STRIPE, L. (TYPE3) '84A
7	87114-MG9-930ZA	STRIPE, L. (TYPE1) '85A
7	87114-MG9-930ZB	STRIPE, L. (TYPE2) '85A
7	87114-MG9-930ZC	STRIPE, L. (TYPE3) '85A
8	87115-MG9-870ZA	STRIPE, RR. (TYPE1) '84A
8	87115-MG9-870ZB	STRIPE, RR. (TYPE2) '84A
8	87115-MG9-870ZC	STRIPE, RR. (TYPE3) '84A
8	87115-MG9-930ZA	STRIPE, RR. (TYPE1) '85A
8	87115-MG9-930ZB	STRIPE, RR. (TYPE2) '85A
8	87115-MG9-930ZC	STRIPE, RR. (TYPE3) '85A
9	87128-MG9-870ZA	STRIPE, R. (TYPE1) '84A
9	87128-MG9-870ZB	STRIPE, R. (TYPE2) '84A



Catalog Title:

GL1200 '84 GL1200A '84,'85 GL1200I '84,'85 GL1200L '85

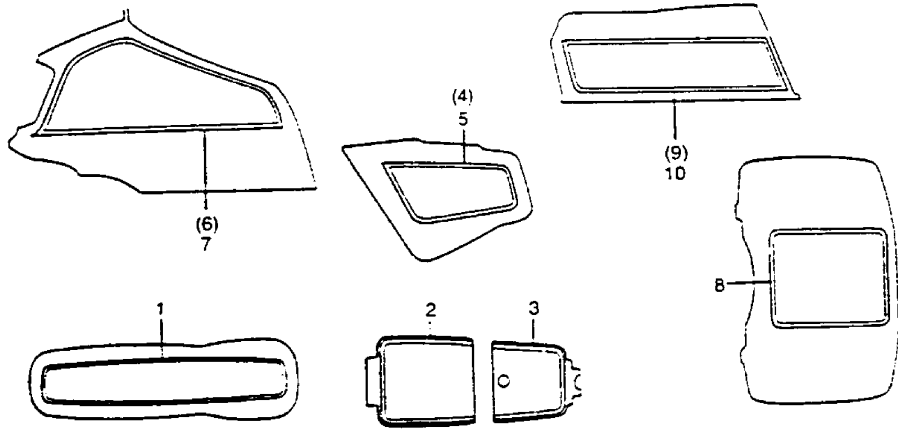
Block No.

F 5001

Block Title:

STRIPE - GL1200A '84-'85

Ref. No.	Part No.	Description
9	87128-MG9-870ZC	STRIPE, R. (TYPE3) '84A
9	87128-MG9-930ZA	STRIPE, R. (TYPE1) '85A
9	87128-MG9-930ZB	STRIPE, R. (TYPE2) '85A
9	87128-MG9-930ZC	STRIPE, R. (TYPE3) '85A
10	87129-MG9-870ZA	STRIPE, L. (TYPE1) '84A
10	87129-MG9-870ZB	STRIPE, L. (TYPE2) '84A
10	87129-MG9-870ZC	STRIPE, L. (TYPE3) '84A
10	87129-MG9-930ZA	STRIPE, L. (TYPE1) '85A
10	87129-MG9-930ZB	STRIPE, L. (TYPE2) '85A
10	87129-MG9-930ZC	STRIPE, L. (TYPE3) '85A



Combination table for stripe (GL 1200A '85)

Main color	R-137P-A Pearl vintage red	PB-140M Satellite blue metallic	YR-125M Sandy beige metallic
Type of stripe	TYPE-1	TYPE-2	TYPE-3

Catalog Title:

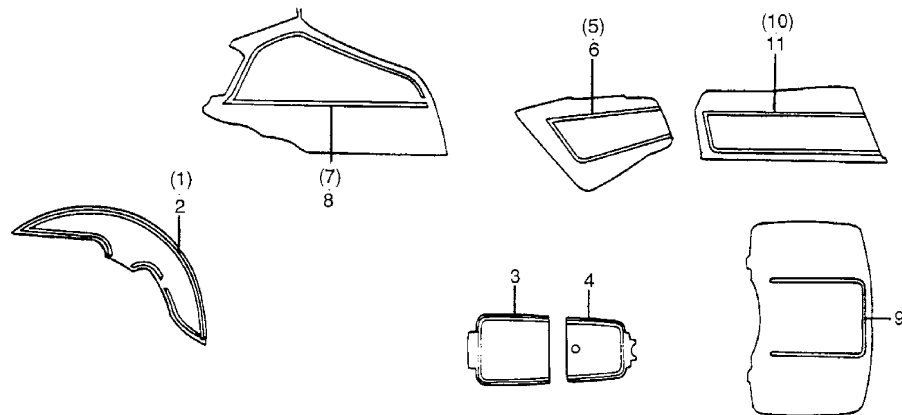
GL1200 '84 GL1200A '84,'85 GL1200I '84,'85 GL1200L '85

Block No.

F 5002

Block Title:

STRIPE - GL1200I '85



Ref. No.	Part No.	Description
1	61101-MG9-680ZA	STRIPE, R. (TYPE1)
1	61101-MG9-680ZB	STRIPE, R. (TYPE2)
1	61101-MG9-680ZC	STRIPE, R. (TYPE3)
2	61102-MG9-680ZA	STRIPE, L. (TYPE1)
2	61102-MG9-680ZB	STRIPE, L. (TYPE2)
2	61102-MG9-680ZC	STRIPE, L. (TYPE3)
3	83107-MG9-680ZA	STRIPE (TYPE1)
3	83107-MG9-680ZB	STRIPE (TYPE2)
3	83107-MG9-680ZC	STRIPE (TYPE3)
4	83109-MG9-680ZA	STRIPE (TYPE1)
4	83109-MG9-680ZB	STRIPE (TYPE2)
4	83109-MG9-680ZC	STRIPE (TYPE3)
5	83612-MG9-680ZA	STRIPE, R. (TYPE1)
5	83612-MG9-680ZB	STRIPE, R. (TYPE2)
5	83612-MG9-680ZC	STRIPE, R. (TYPE3)
6	83613-MG9-680ZA	STRIPE, L. (TYPE1)
6	83613-MG9-680ZB	STRIPE, L. (TYPE2)
6	83613-MG9-680ZC	STRIPE, L. (TYPE3)
7	87113-MG9-680ZA	STRIPE, R. (TYPE1)
7	87113-MG9-680ZB	STRIPE, R. (TYPE2)
7	87113-MG9-680ZC	STRIPE, R. (TYPE3)
8	87114-MG9-680ZA	STRIPE, L. (TYPE1)
8	87114-MG9-680ZB	STRIPE, L. (TYPE2)
8	87114-MG9-680ZC	STRIPE, L. (TYPE3)
9	87115-MG9-680ZA	STRIPE, RR. (TYPE1)

Combination table for stripe (GL 1200I '85)

Main color	R-114C-U Candy wine berry red-U	NH-144M Starshine silver metallic	PB 142M Telstar blue metallic
Type of stripe	TYPE-1	TYPE-2	TYPE-3

Catalog Title:

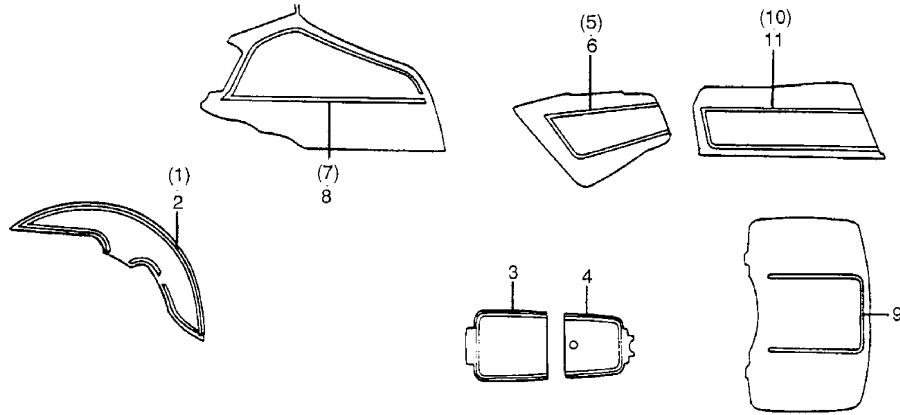
GL1200 '84 GL1200A '84,'85 GL1200I '84,'85 GL1200L '85

Block No.

F 5002

Block Title:

STRIPE - GL1200I '85



Ref. No.	Part No.	Description
9	87115-MG9-680ZB	STRIPE, RR. (TYPE2)
9	87115-MG9-680ZC	STRIPE, RR. (TYPE3)
10	87128-MG9-680ZA	STRIPE, R. (TYPE1)
10	87128-MG9-680ZB	STRIPE, R. (TYPE2)
10	87128-MG9-680ZC	STRIPE, R. (TYPE3)
11	87129-MG9-680ZA	STRIPE, L. (TYPE1)
11	87129-MG9-680ZB	STRIPE, L. (TYPE2)
11	87129-MG9-680ZC	STRIPE, L. (TYPE3)

Combination table for stripe (GL 1200I '85)

Main color	R-114C-U Candy wine berry red-U	NH-144M Starshine silver metallic	PB 142M Telstar blue metallic
Type of stripe	TYPE-1	TYPE-2	TYPE-3

Catalog Title:
GL1200 '84 GL1200A '84,'85 GL1200I '84,'85 GL1200L '85

Block No.
F 5003

Block Title:
STRIPE - GL1200L '85

Ref. No.	Part No.	Description
1	61101-MG9-950ZA	STRIPE, FR. (TYPE1)
2	83103-MG9-950ZA	STRIPE, R. (TYPE1)
3	83104-MG9-950ZA	STRIPE, L. (TYPE1)
4	83109-MG9-950ZA	STRIPE (TYPE1)
5	83612-MG9-950ZA	STRIPE, R. (TYPE1)
6	83613-MG9-950ZA	STRIPE, L. (TYPE1)
7	87113-MG9-950ZA	STRIPE, R. (TYPE1)
8	87114-MG9-950ZA	STRIPE, L. (TYPE1)
9	87115-MG9-950ZA	STRIPE, RR. (TYPE1)
10	87116-MG9-950ZA	STRIPE, R. (TYPE1)
11	87117-MG9-950ZA	STRIPE, L. (TYPE1)
12	87128-MG9-950ZA	STRIPE, R. (TYPE1)
13	87129-MG9-950ZA	STRIPE, L. (TYPE1)

