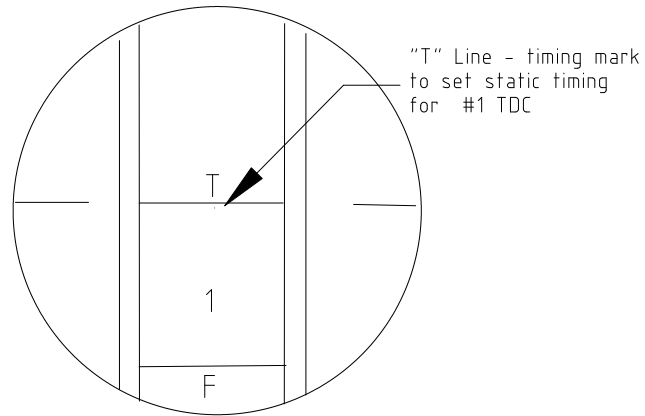
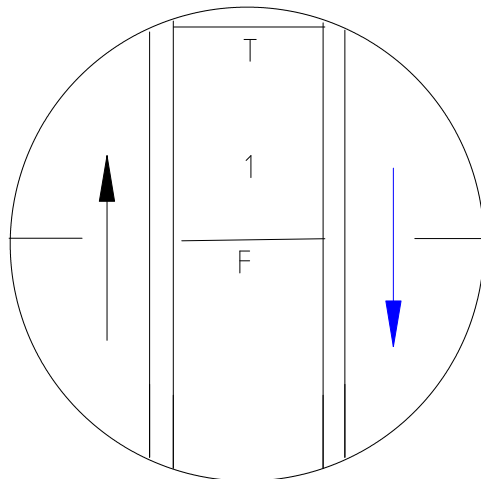
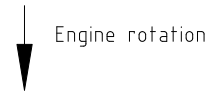


# Timing Window Markings

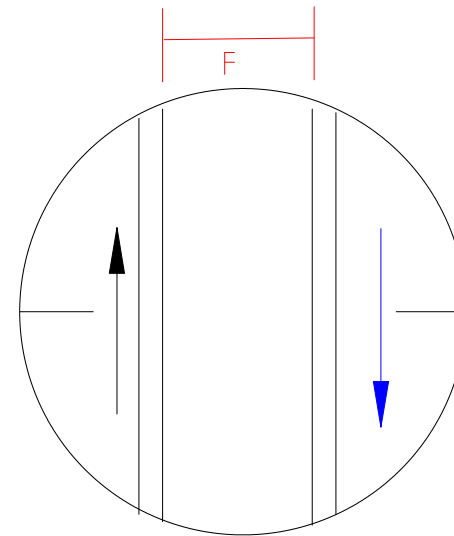


"F" timing mark - viewed in timing window engine not started - used for static timing

- Note:
1. Engine rotation is opposite to timing mark movement. Blue arrows show engine rotation
  2. The timing mark shown are for cylinders 1 and 3. Timing mark for cylinders 2 and 4 are denoted with a "2".



Engine operating - "F" timing mark moves up into centre of timing window



Engine RPM increased "F" timing mark moves up and out of the timing window