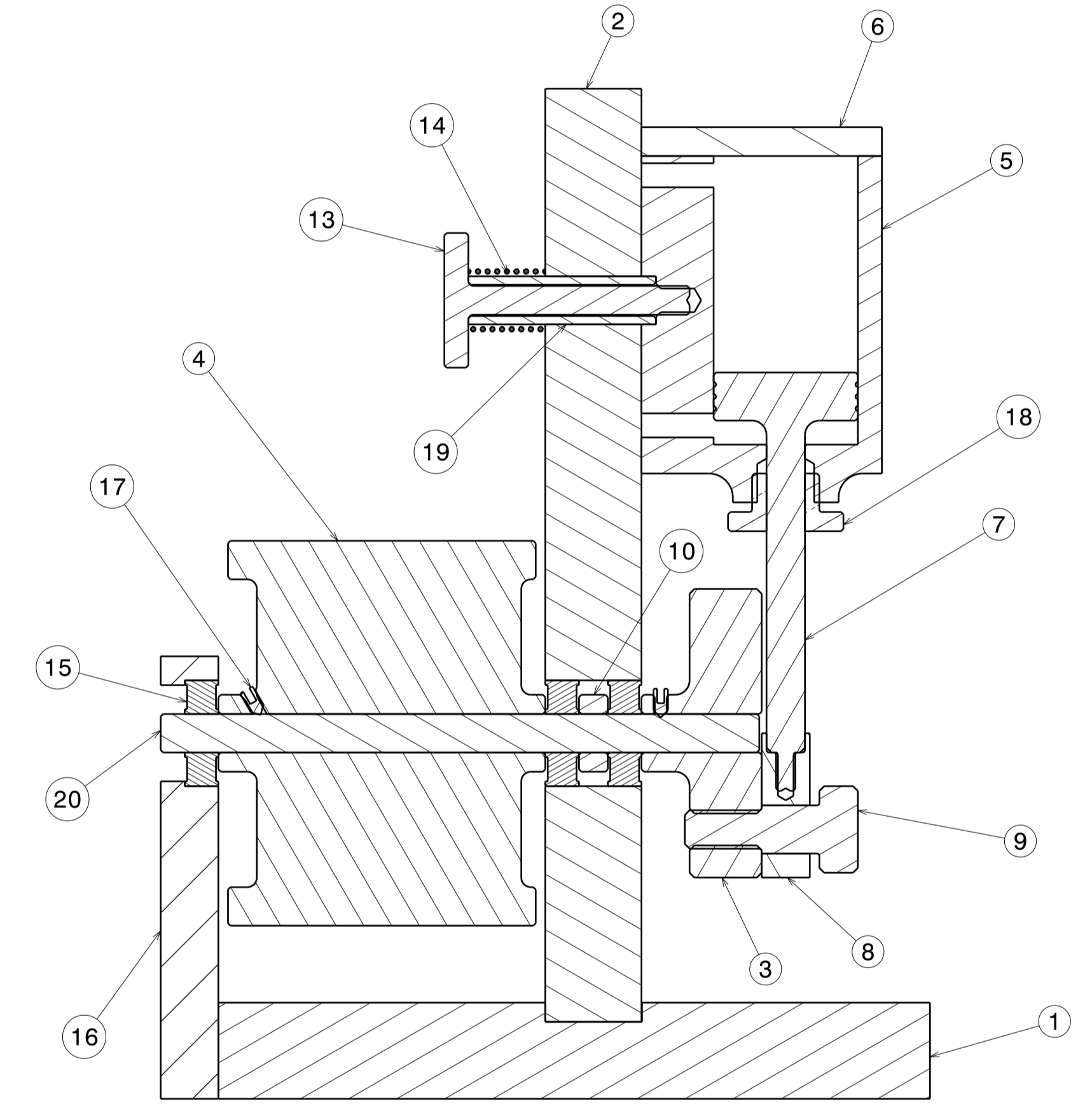
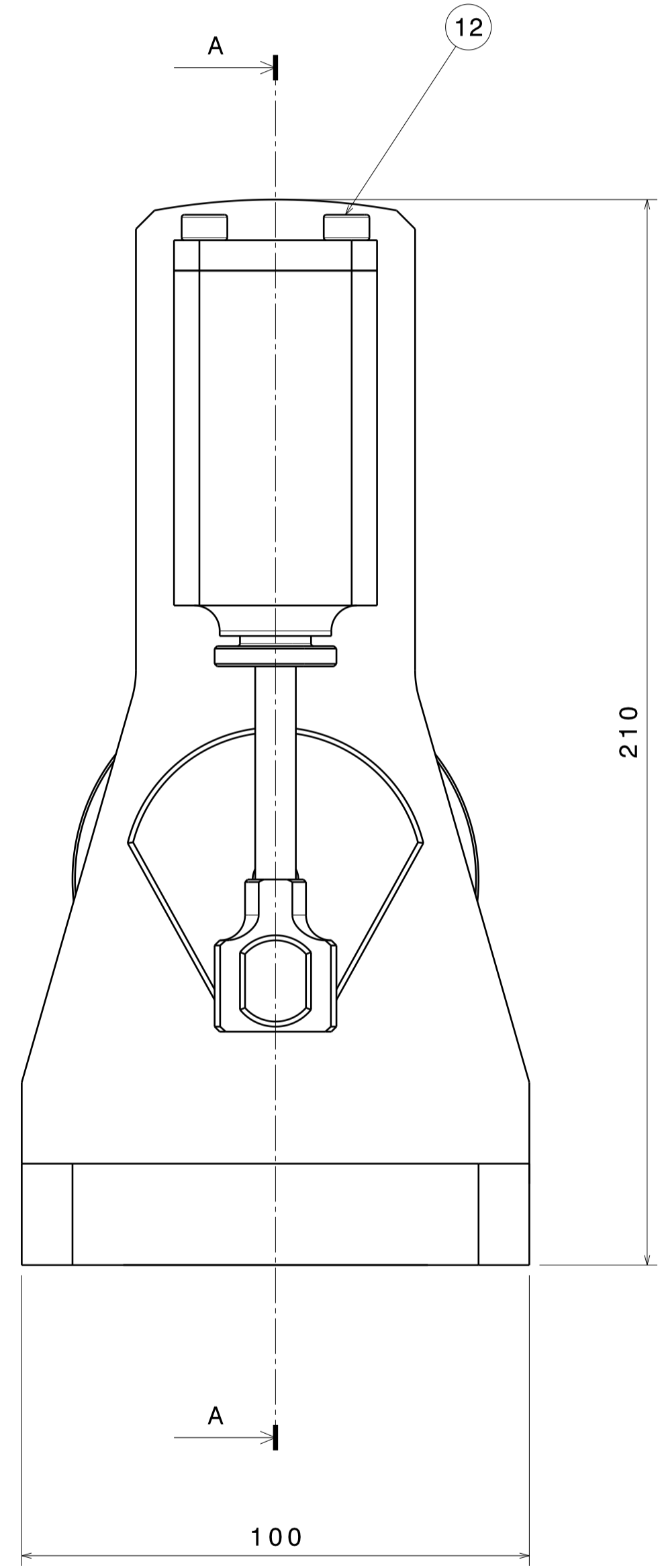
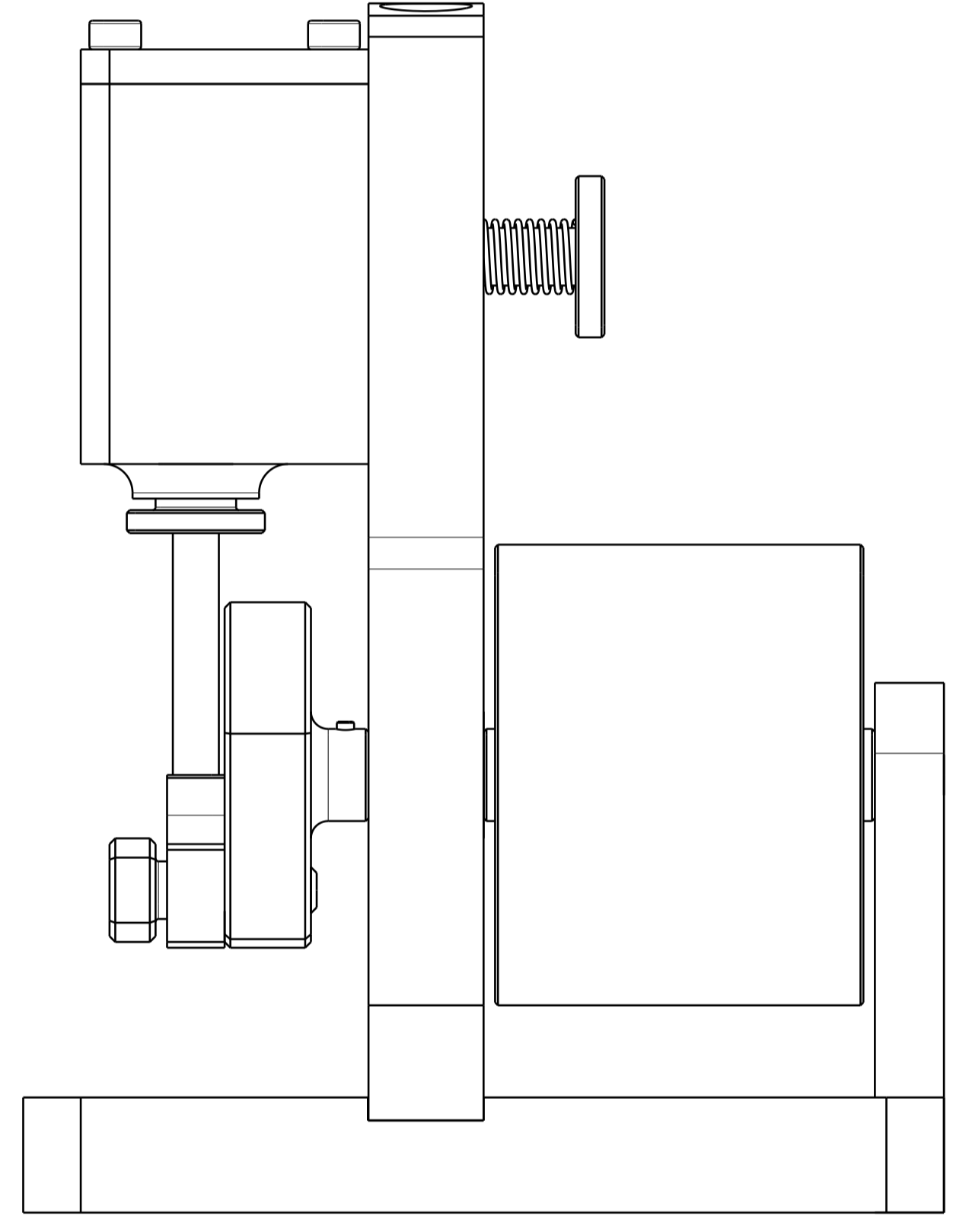
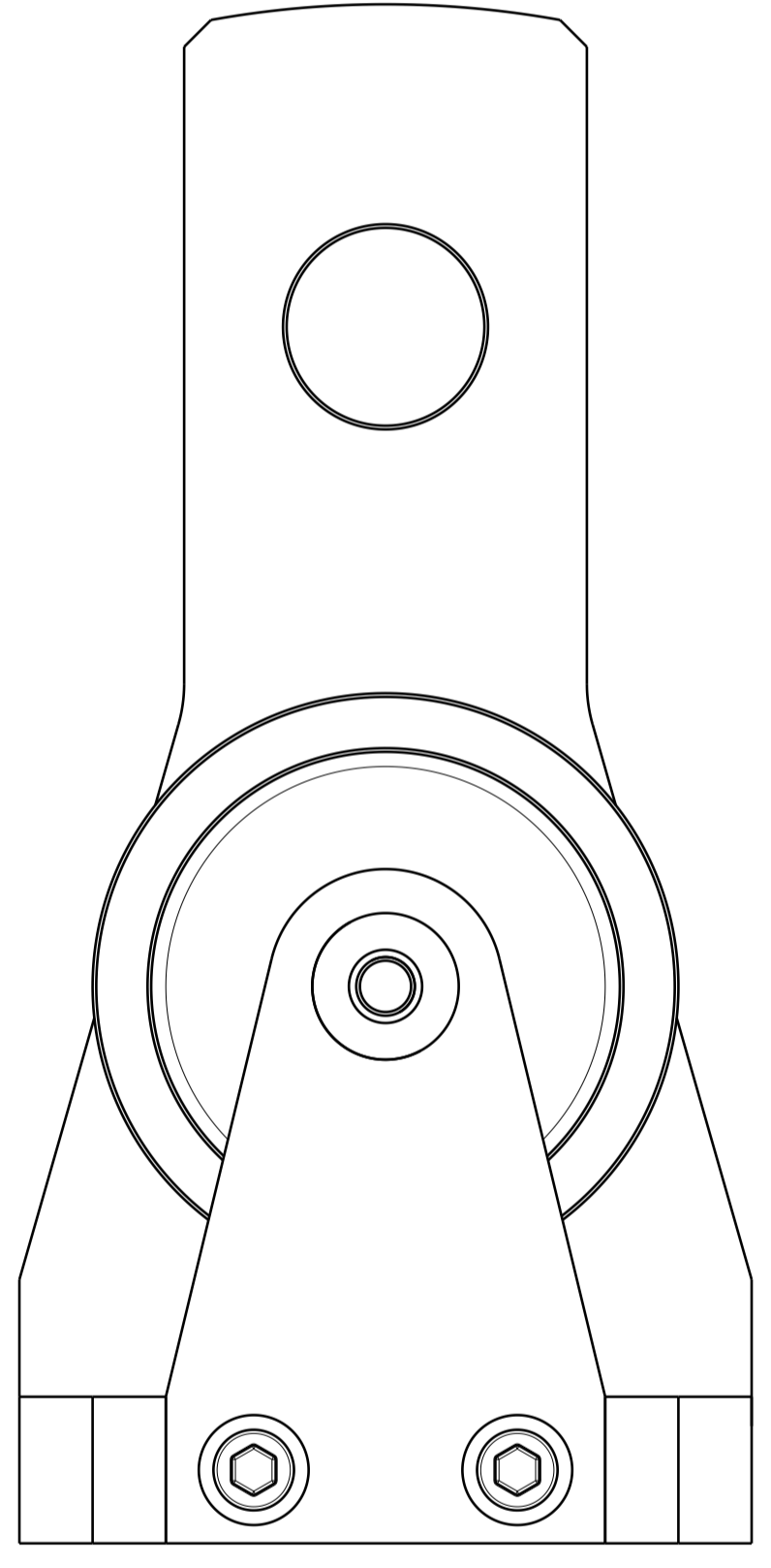
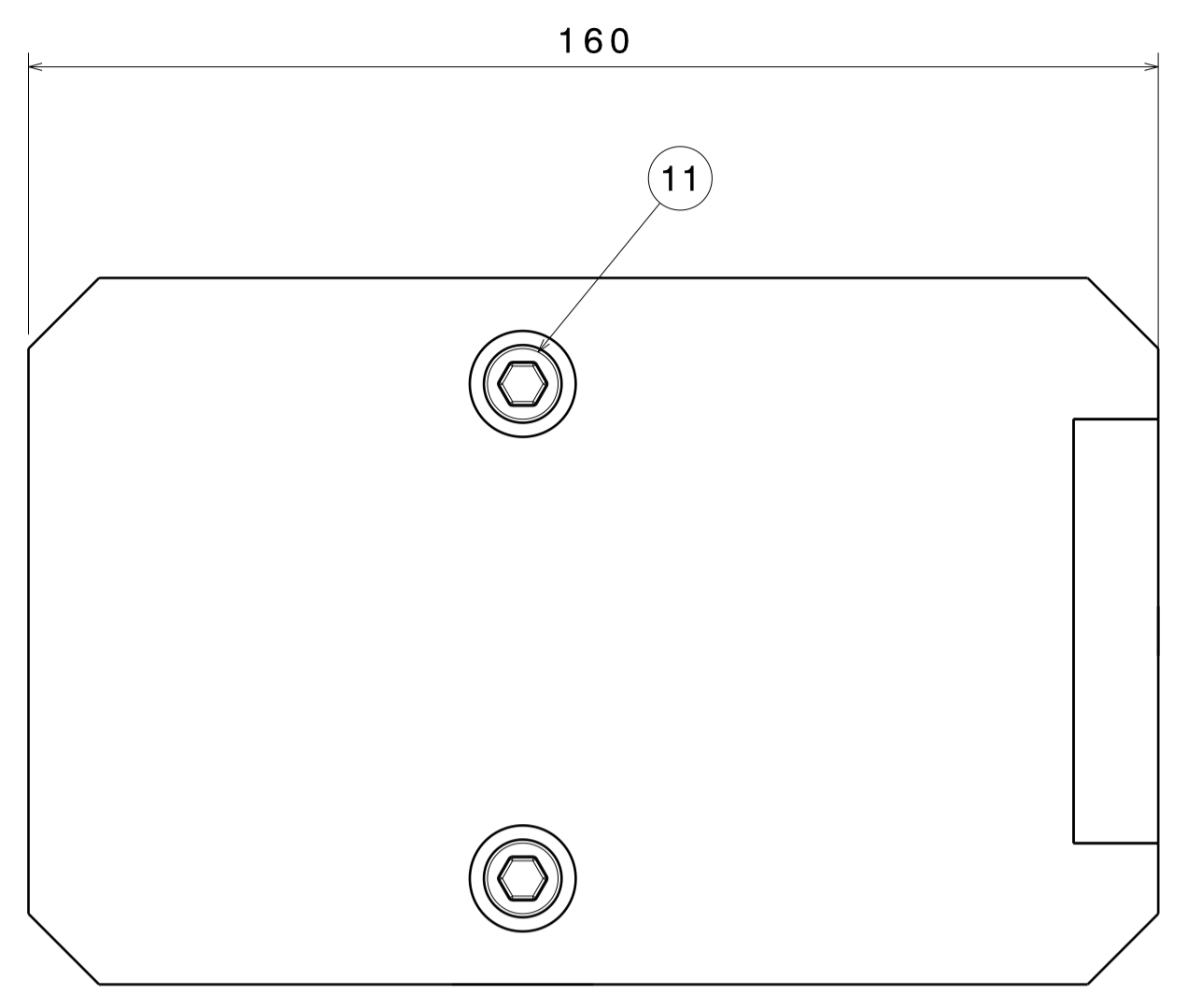


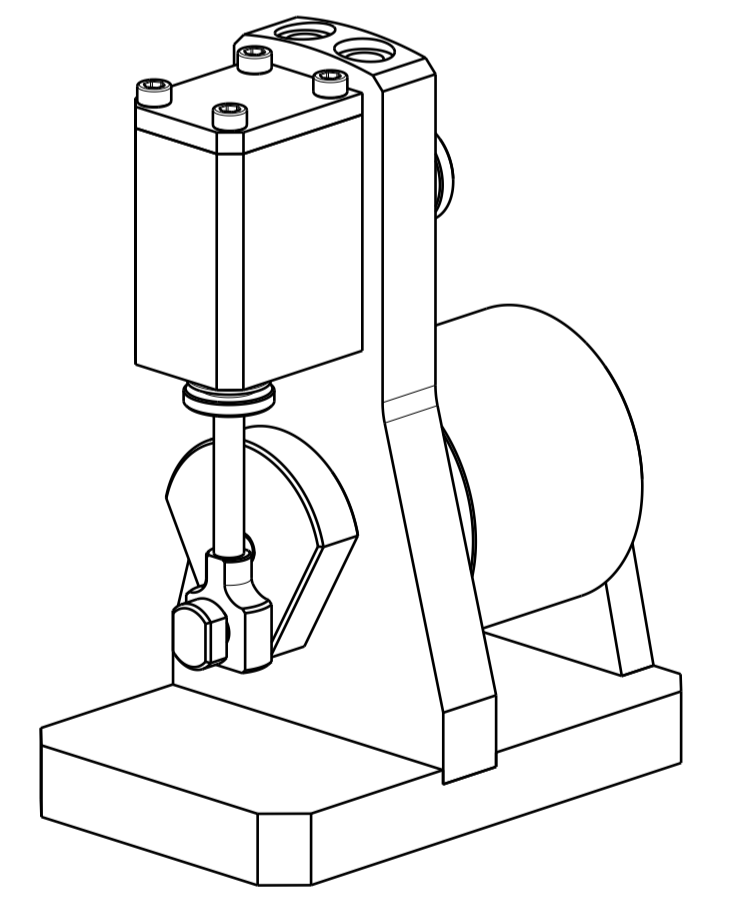
P O N M L K J I H G F E D C B A

Bill of Material: WOBLER

Number	Part Number	Definition	Source	Quantity
1	WBLR-01-BASE	ALUMINIUM	Made	1
2	WBLR-02-BLOCK	ALUMINIUM	Made	1
3	WBLR-03-CRANK	STAINLESS STEEL	Made	1
4	WBLR-04-FLY WHEEL	BRASS	Made	1
5	WBLR-05-CYLINDER	PHOSPHOR BRONZE	Made	1
6	WBLR-06-HEAD	MILD STEEL	Made	1
7	WBLR-07-PISTON	MILD STEEL	Made	1
8	WBLR-08-CON ROD	STAINLESS STEEL	Made	1
9	WBLR-09-CRANK PIN	BLACKENED MILD STEEL	Made	1
10	WBLR-10-CRANK BUSH	BRASS	Made	1
11	WBLR-11-M6x20	STEEL	Bought	4
12	WBLR-12-M4x15	STEEL	Bought	4
13	WBLR-13-CYLINDER PIVOT PIN	STAINLESS STEEL	Made	1
14	WBLR-14-CYLINDER PIVOT SPRING	SPRING STEEL	Bought	1
15	WBLR-15-MAIN BEARING	STEEL	Bought	3
16	WBLR-16-FLYWHEEL SUPPORT	ALUMINIUM	Made	1
17	WBLR-17-M3x6 GRUB SCREW	STEEL	Bought	2
18	WBLR-18-PACKING SCREW	PHOSPHOR BRONZE	Made	1
19	WBLR-19-CYLINDER PIVOT	STEEL	Made	1
20	WBLR-20-CRANK SHAFT	STAINLESS STEEL	Made	1



Section cut A-A



P O N M L K J I H G F E D C B A

		WOBBLY DESIGNS			
		DRAWING TITLE			
DRAWN BY THEGSEY	DATE 01/01/2012	WOBLER ASSEMBLY DRAWING			
CHECKED BY THEGSEY	DATE 01/01/2012	SIZE A1	DRAWING NUMBER WBLR-001	REV WIP	
DESIGNED BY THEGSEY	DATE 01/01/2012	SCALE 1:1	WEIGHT (kg) 5.44KG	SHEET 1/1	