

1	2	3	4
RevNr.	Revision note	Date	Sign

A

B

C

D

E

F

A

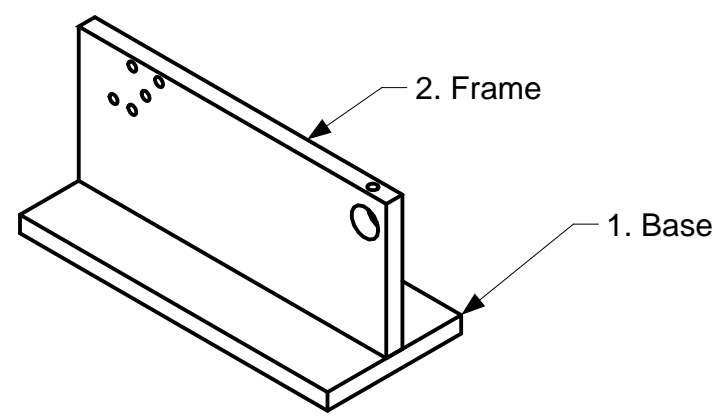
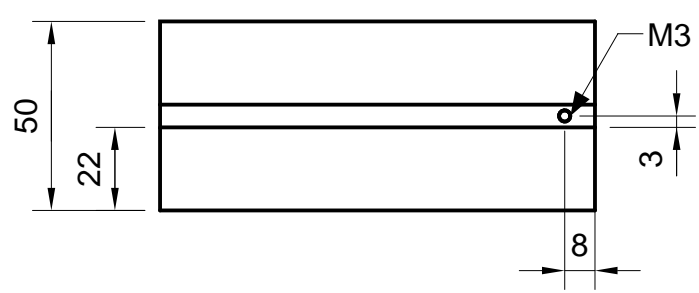
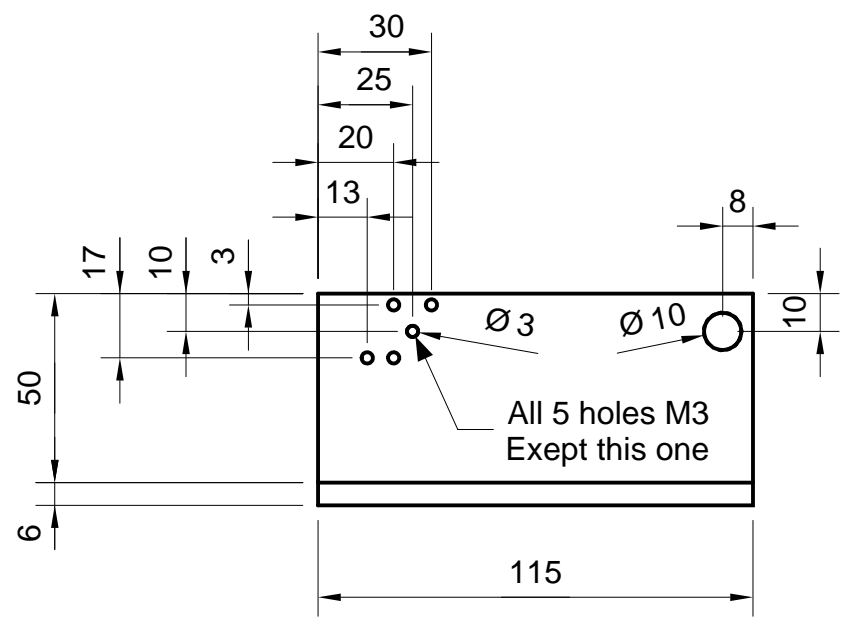
B

C

D

E

F



E	A4	General Tolerances acc to : ISO 2768-1 medium	E-Z Engine	
	Scale		Drawn LS	Dat. 19/10/2009
Paradym		Title Base and Frame		Sheet 1
we design for you				Rev. 02