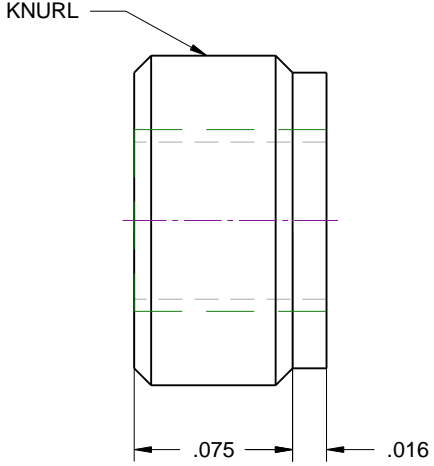
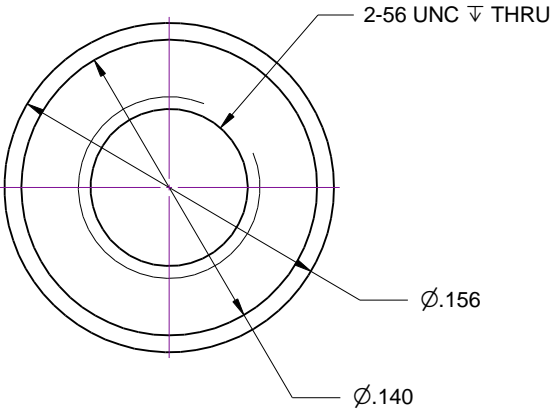




REVISIONS				
ZONE	REV	DESCRIPTION	DATE	APPROVED



MATL: BRASS	DRAWN J. GEDDE	DATE	SCREW CAP			
	CHECKED					
	QA					
	MFG		SIZE <b>A</b>	FSCM NO.	DWG NO. 5	REV
	APPROVED		SCALE		SHEET	

