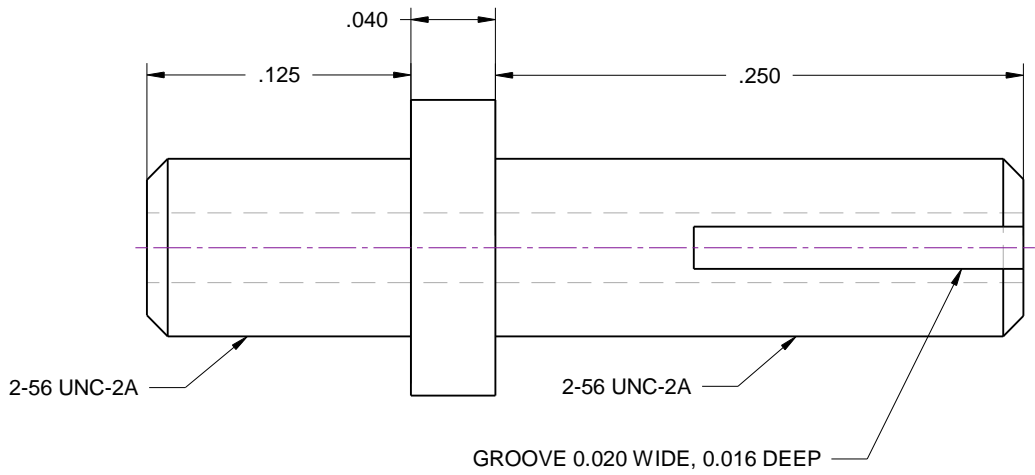
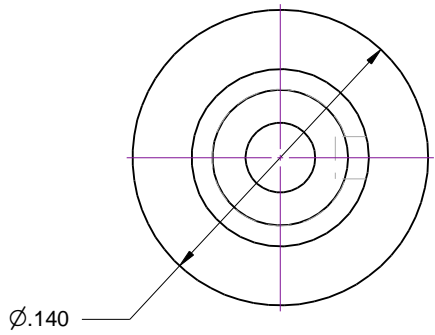




| REVISIONS | | | | |
|-----------|-----|-------------|------|----------|
| ZONE | REV | DESCRIPTION | DATE | APPROVED |



| | | | | | | |
|-------------|-------------------|-----------------|------------------|----------|--------------|-----|
| MATL: BRASS | DRAWN J. GEDDE | DATE 9/23/13 | TERMINAL | | | |
| | CHECKED | | | | | |
| | QA | | SIZE A | FSCM NO. | DWG NO. 4 | REV |
| | MFG | | SCALE | | SHEET | |
| | APPROVED | | | | | |

