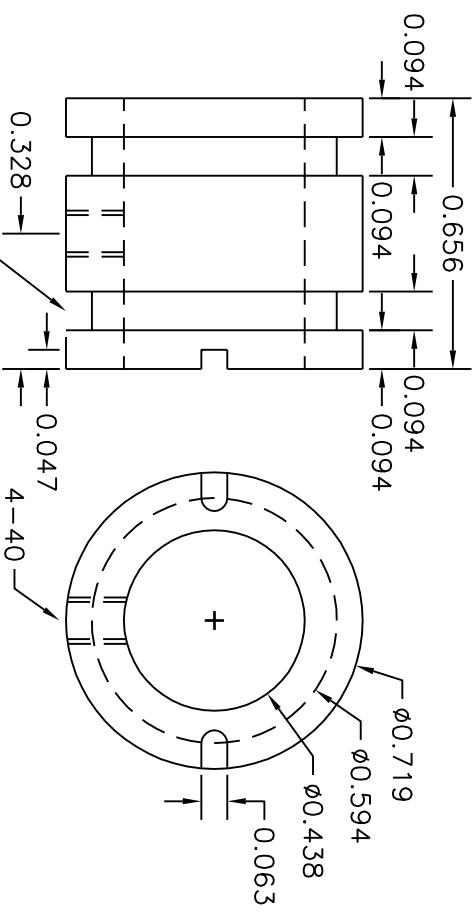
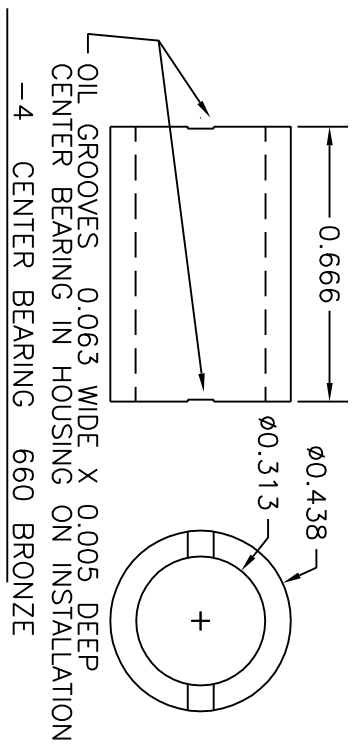


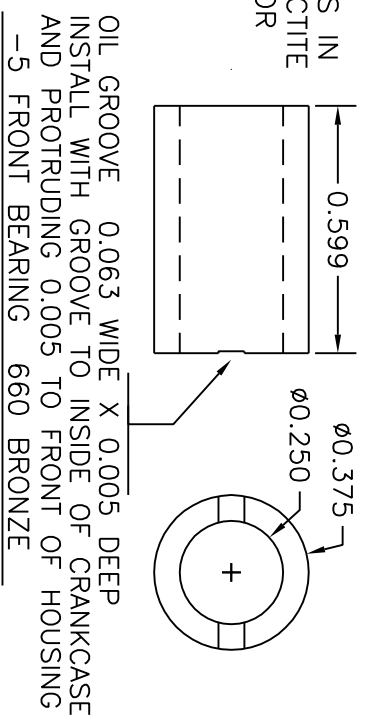
USE HOLE PATTERN FROM 4-3  
 -1 FRONT BEARING HOUSING 6061 ALUM



2 O-RING GROOVES FOR ASS568-015  
 O-RINGS. 9/16 X 11/16  
 STRETCH TO FIT - WILL BE SNUG  
 USE SAME O-RINGS FOR PARTS 4-1 & 4-4  
 -2 CENTER BEARING HOUSING 6061 ALUM



LOCTITE BEARINGS IN  
 PLACE USING LOCTITE  
 609, 640, 680 OR  
 EQUIVALENT.



THIS DRAWING IS COPYRIGHT 2009 BY G.A.GRAHAM. THIS COPYRIGHT IS RELEASED TO THE PUBLIC DOMAIN FOR ANY NON COMMERCIAL USE. ANY REPRODUCTION OF THIS DRAWING MUST CARRY THIS COPYRIGHT NOTICE. IF YOU MAKE CHANGES TO THIS DRAWING, PLEASE ANNOTATE THE CHANGE WITH DATE, CHANGE, REASON AND AUTHOR.



GAIL GRAHAM  
 "Gail In NM"  
 REV E  
 FEB 9, 2010

LOBO PUP TWIN  
 SHEET 4  
 BEARING HOUSINGS, REAR COVER