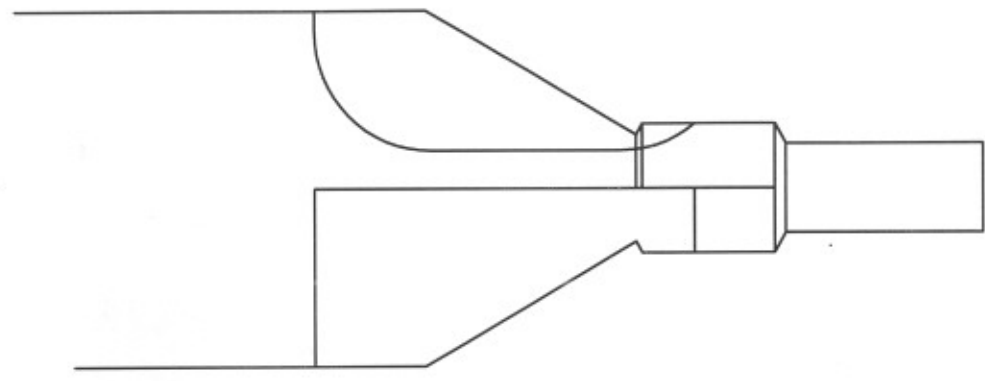
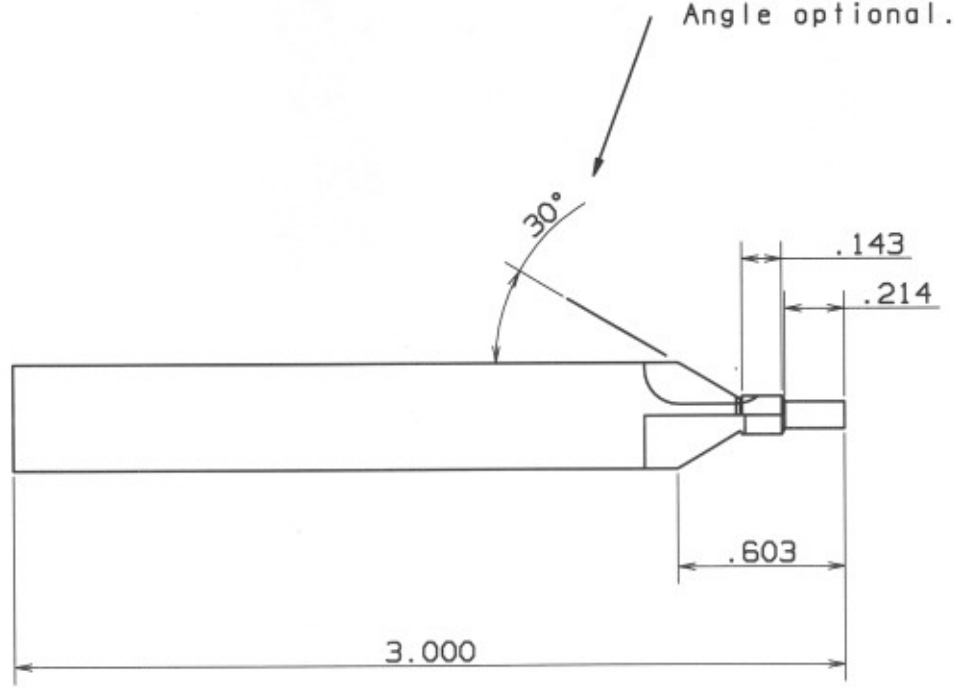


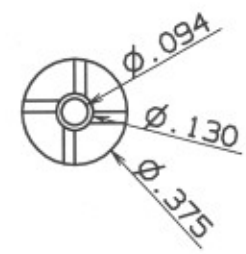
Drill Rod



Angle optional. Must match valve



Diameters to suit & match valves.



Lakeshore
Machine & Repair
8677 Paradise Beach Rd.
Brainerd, MN. 56401

This print is not for sale.
It may be distributed freely
for any noncommercial use.

DRAWN	A Tougas	DATE	02/20/2010	DWG NAME	Valve Cutter
CHECKED				DWG NO.	REV B
DESIGN				SCALE	None
				SHEET	10 OF