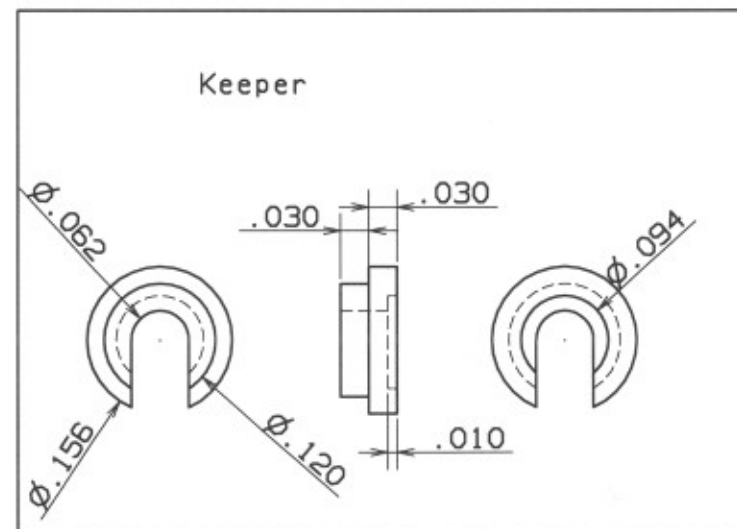
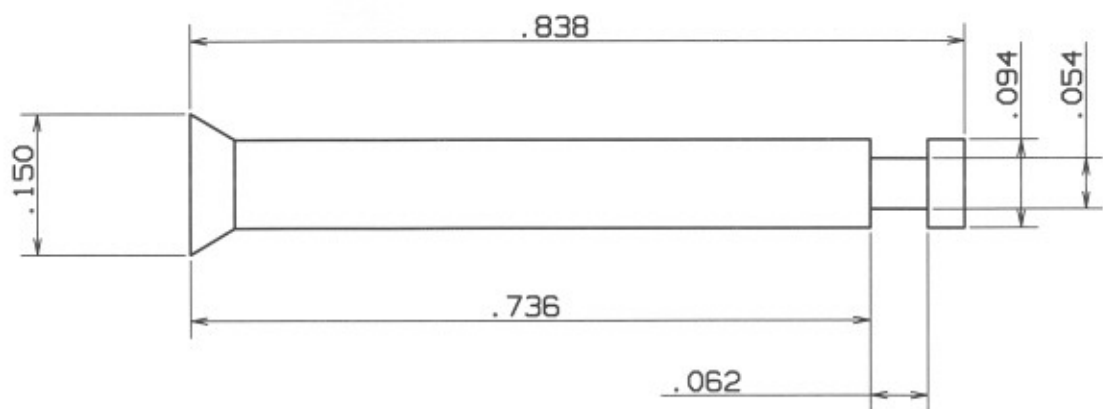
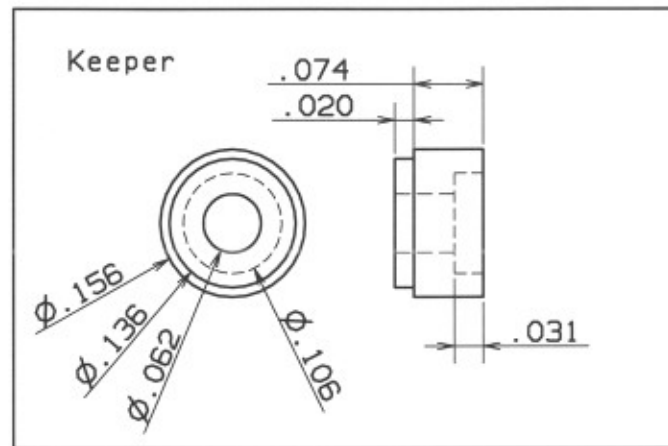
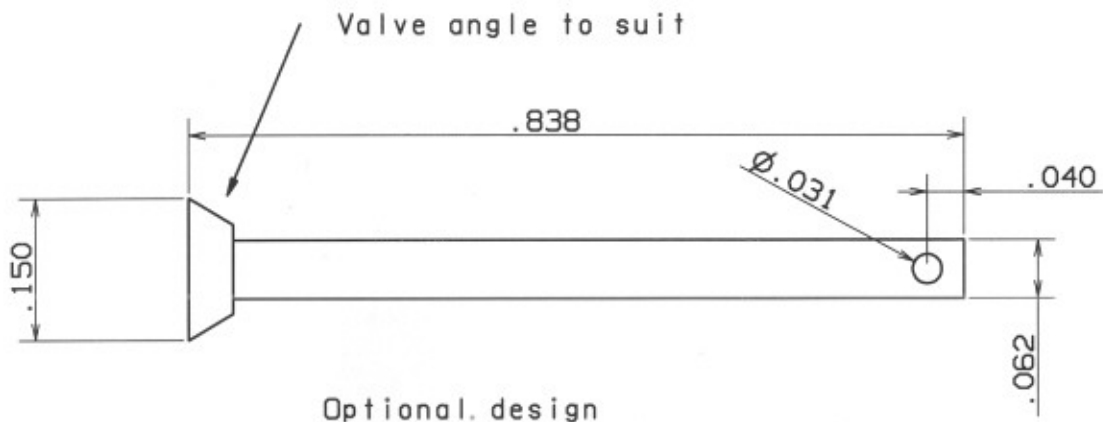


Drill Rod

The length dimension is for exhaust valves. Intake valve may be shorter to clear rocker bar.



Lakeshore
Machine & Repair
8677 Paradise Beach Rd.
Brainerd, MN. 56401

This print is not for sale.
It may be distributed freely
for any noncommercial use.

DRAWN	A Tougas	DATE	02/20/2010	DWG NAME	Valve
CHECKED		SIZES	DWG NO.	REV	B
DESIGN		C	SCALE	None	SHEET 11 OF