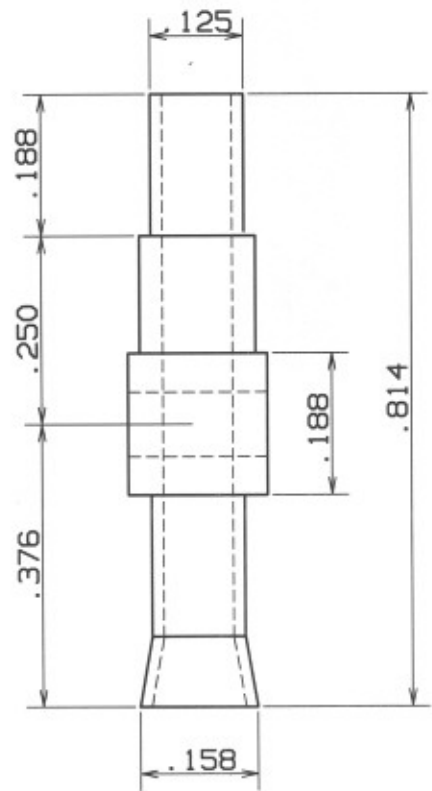
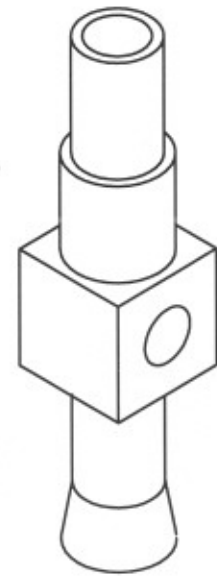


Brass

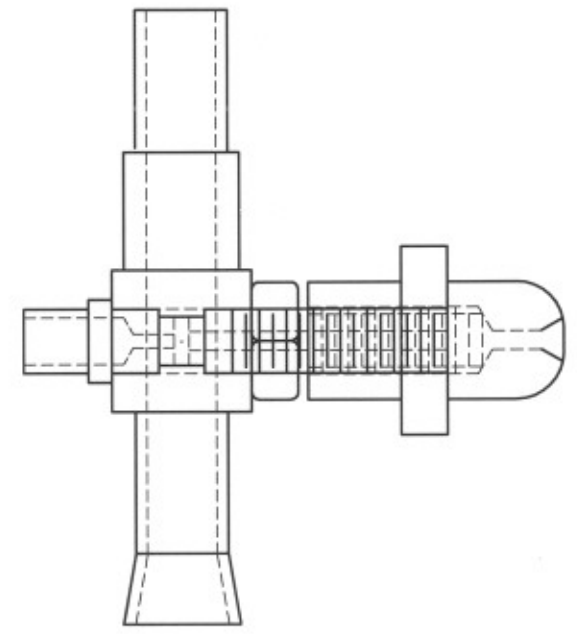


Fuel Mixer Assembly

Spray bar held in mixer body with 2-56 nut.

Add spring between needle assembly and mixer body.

Solder short piece of 1/16 brass tubing into spray bar.



Lakeshore
Machine & Repair
8077 Paradise Beach Rd.
Brainerd, MN. 56401

This print is not for sale.
It may be distributed freely
for any noncommercial use.

DRAWN	A Tougas	DATE	02/20/2010	DWG NAME	Mixer Body
CHECKED		SIZE	DWG NO.	REV	B
DESIGN		SCALE	None	SHEET	16 OF