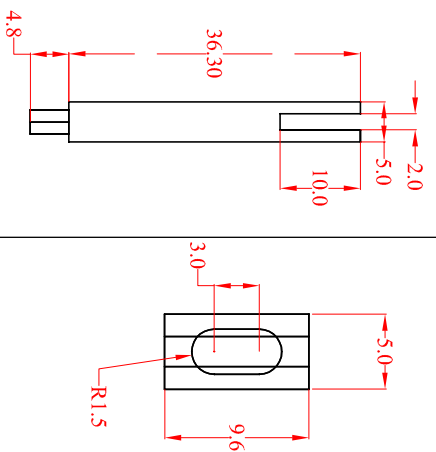
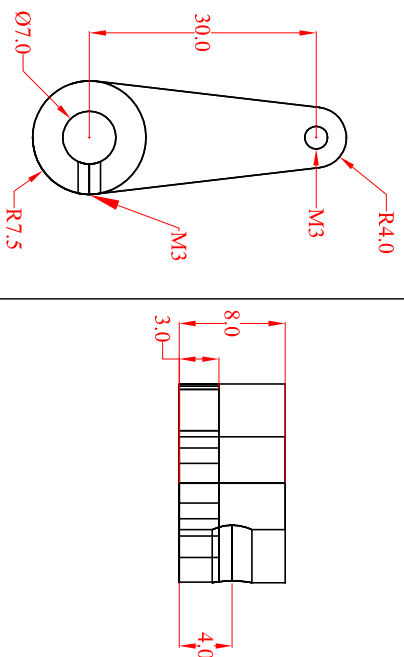


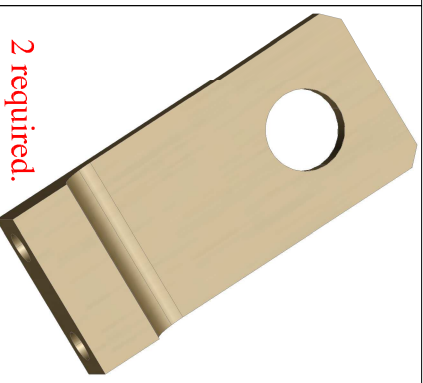
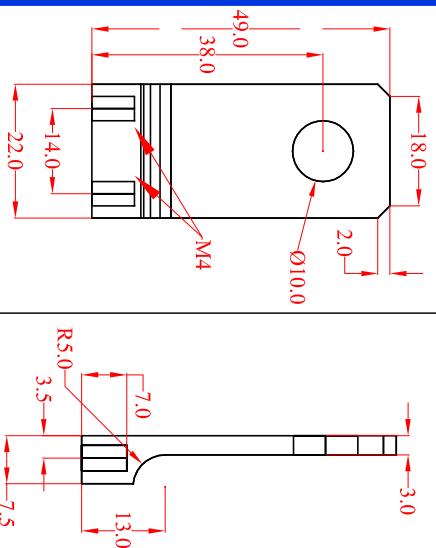
VANE



VANE ARM

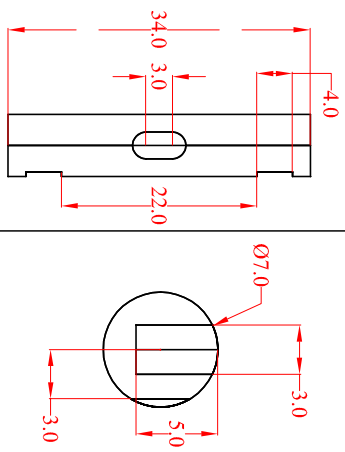


BEARING STAND

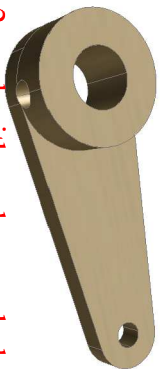


2 required.

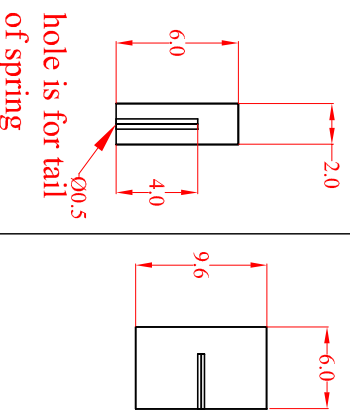
VANE SHAFT



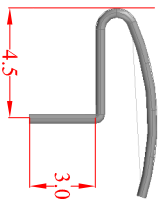
VANE SEAL



2 reqd with grub screw hole on opposite sides of boss.



SPRING



BASE

