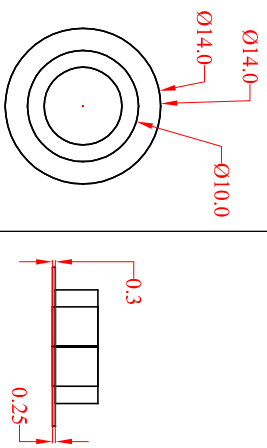
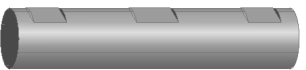
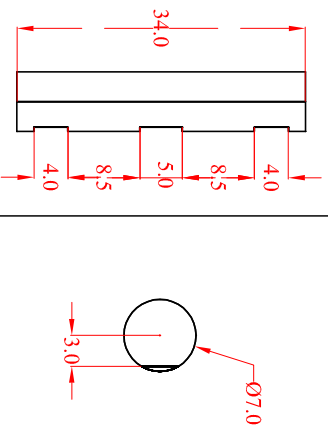


BEARING BUSH

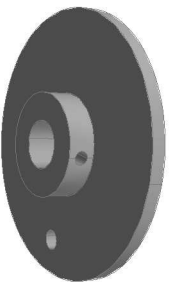
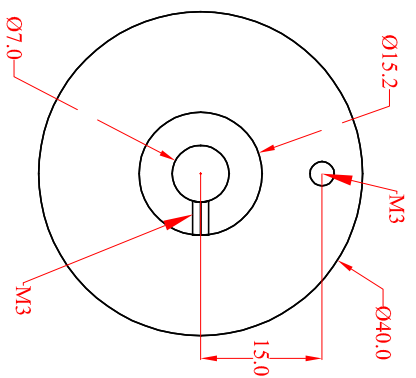


2 required.

CRANK SHAFT

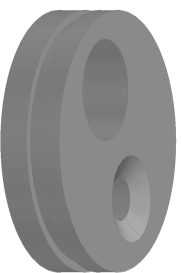
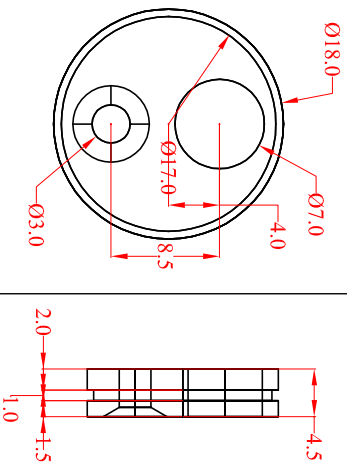


CRANK

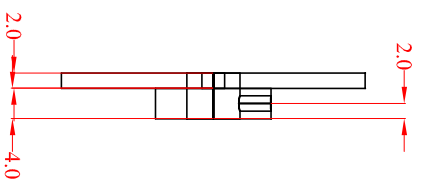
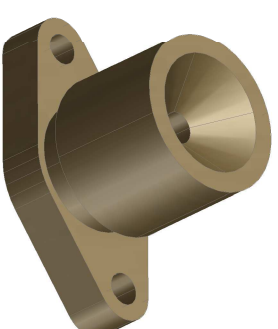
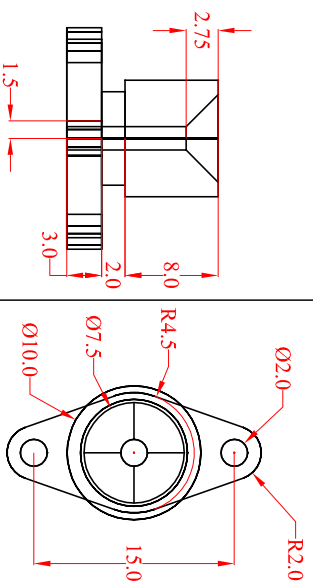


2 reqd with grub screws on opposite sides of boss.

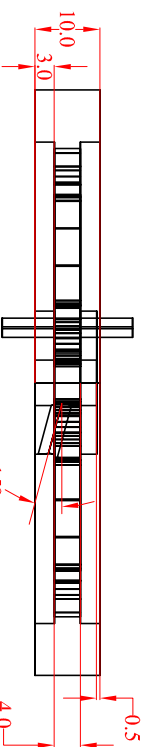
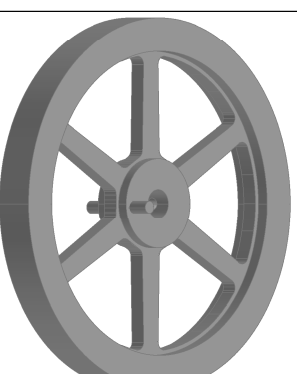
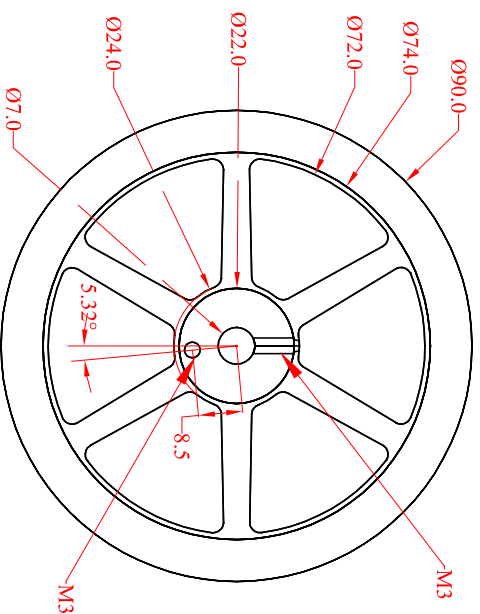
ECCENTRIC



INLET FLANGE



FLYWHEEL



See DesignNotes.xlsx for table of coordinates of holes at corners of spokes.