

4

3

2

1

D

D

C

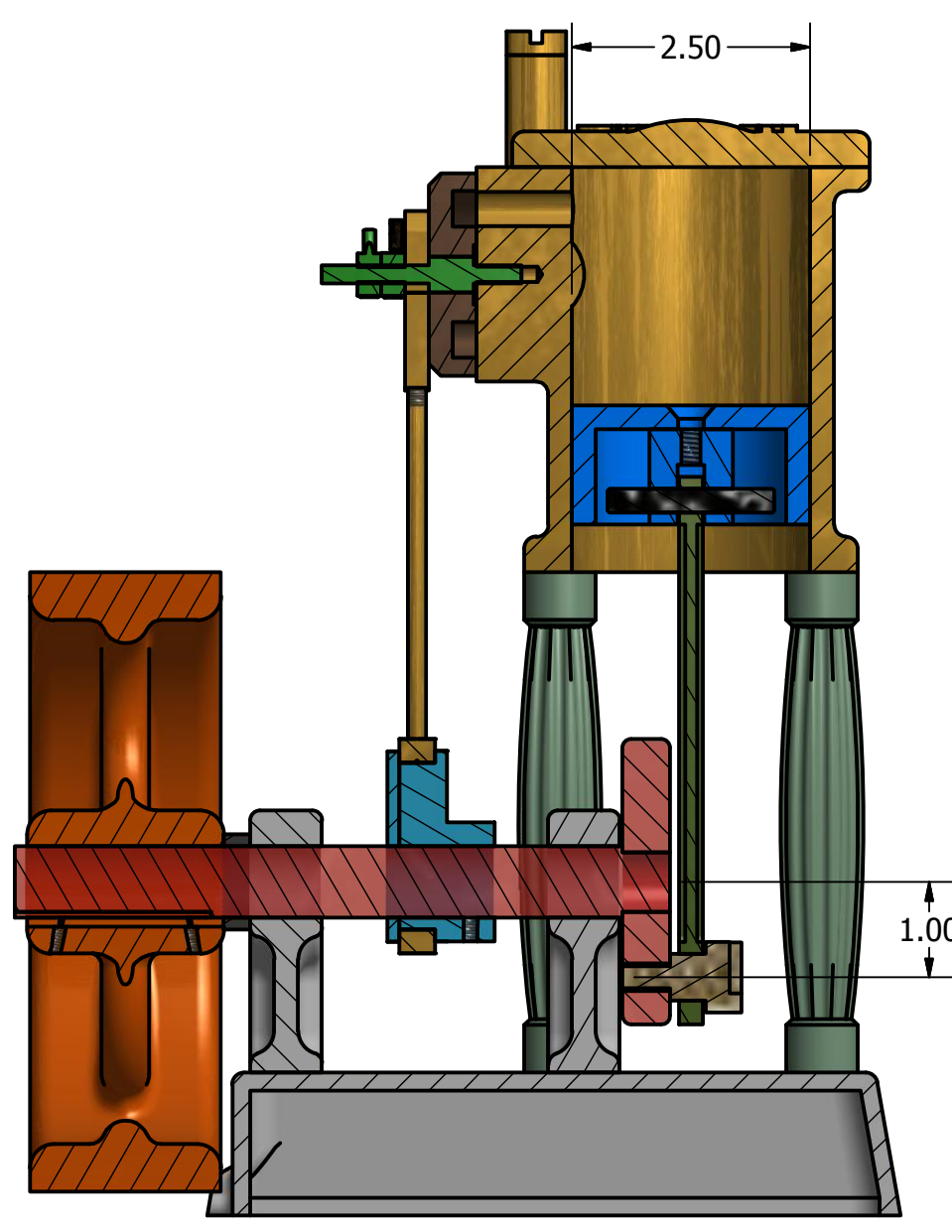
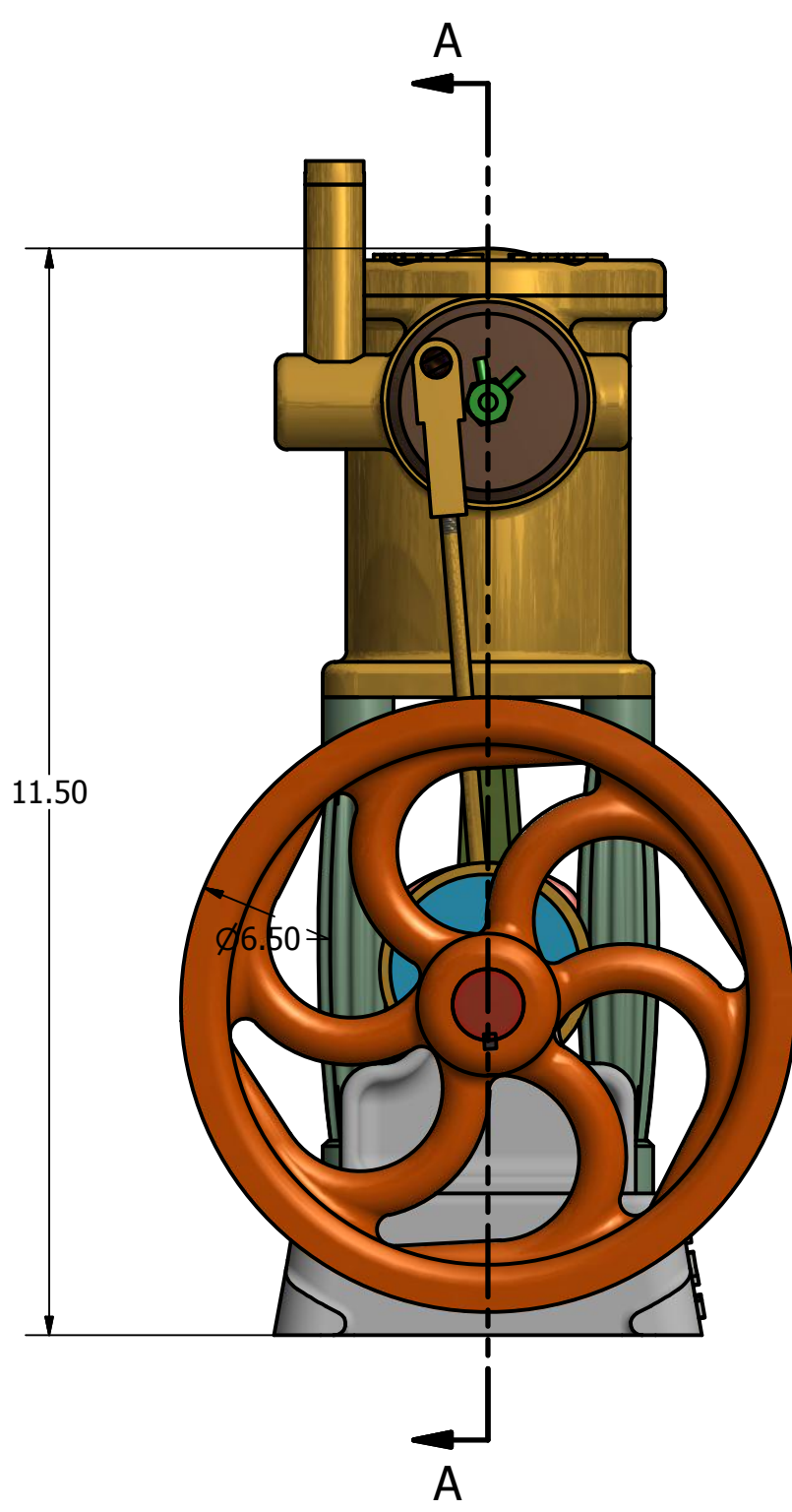
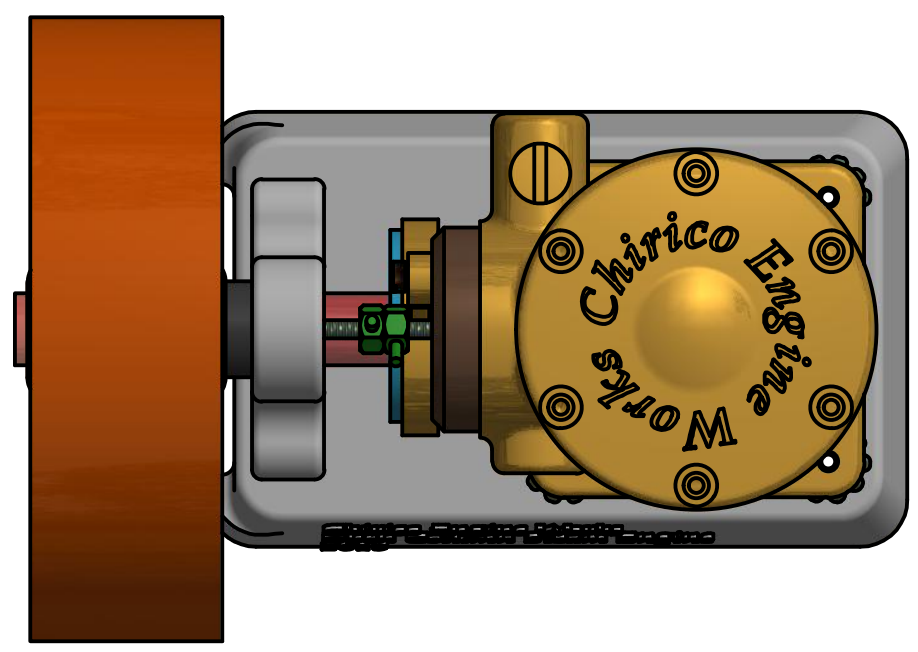
C

B

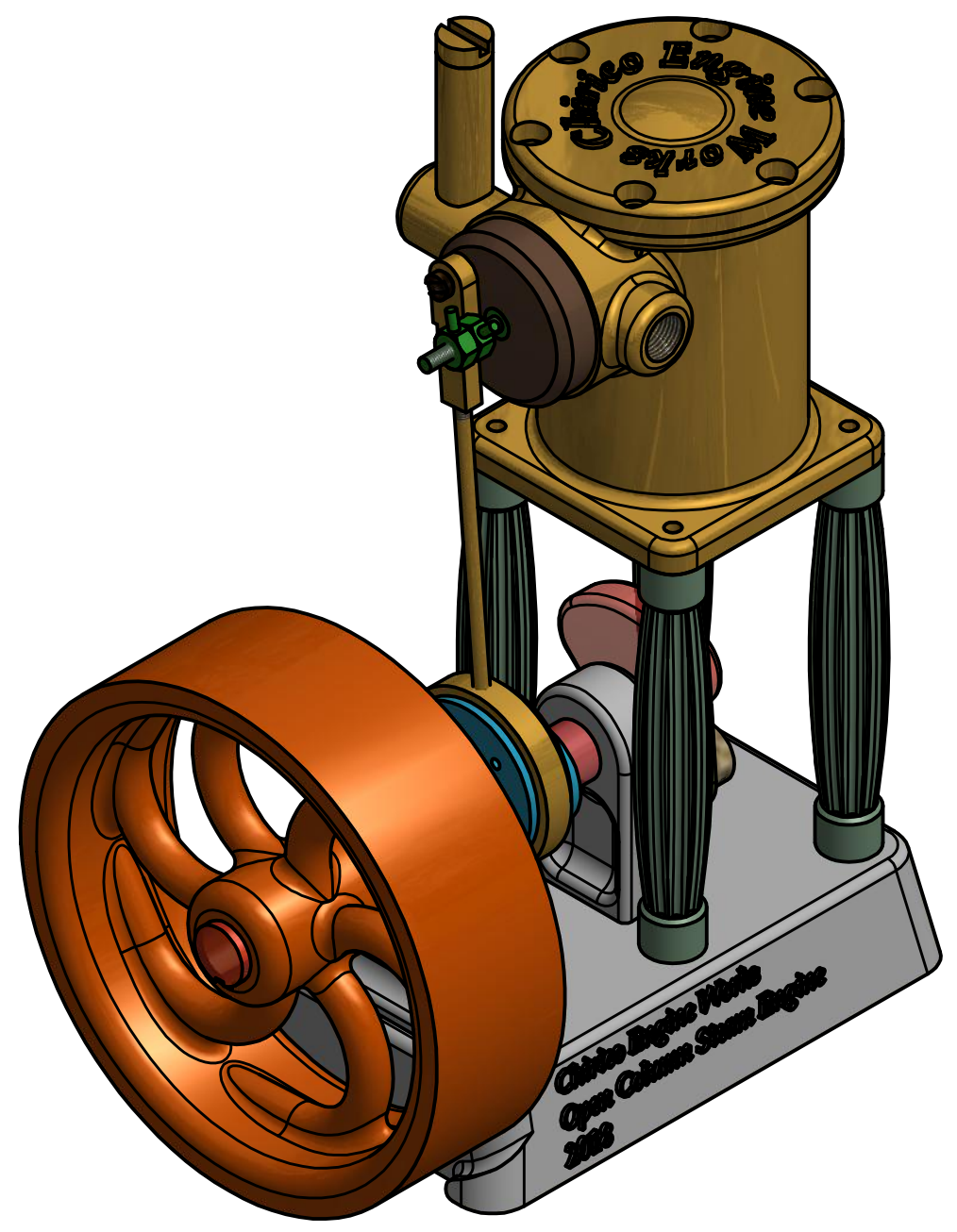
B

A

A



SECTION A-A



DRAWN Rob	11/19/2017	TITLE		
CHECKED				
QA				
MFG				
APPROVED		SIZE C	DWG NO	REV
		SCALE	SHEET 1 OF 1	

4

3

2

1

