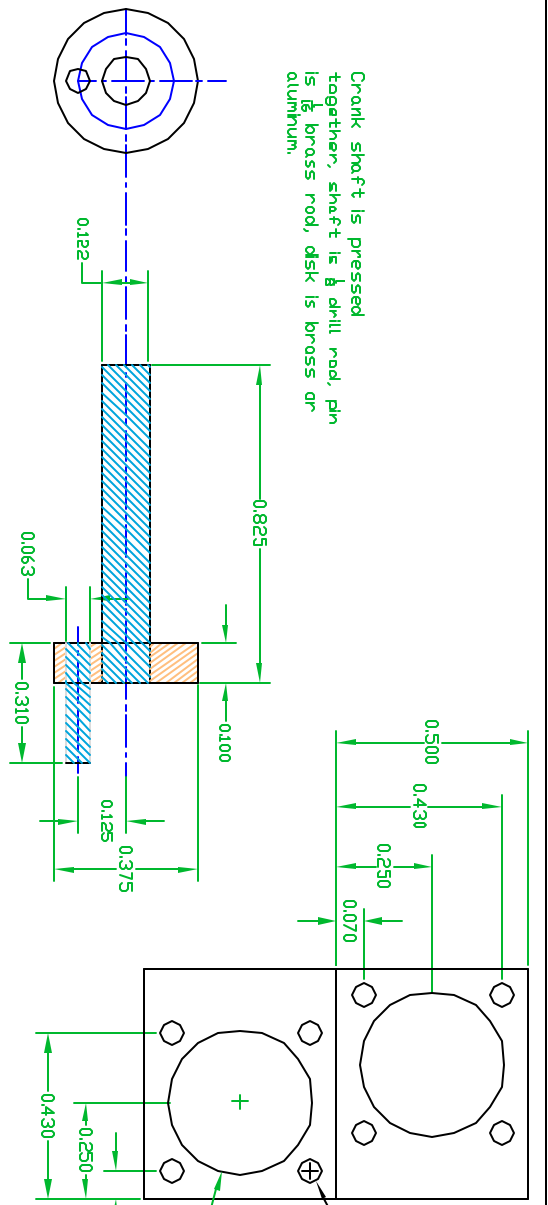
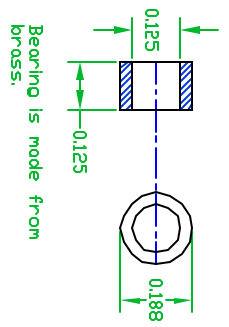
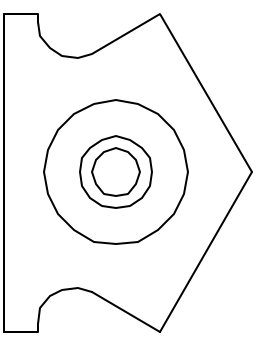
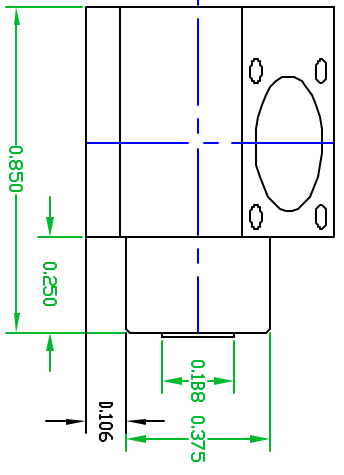
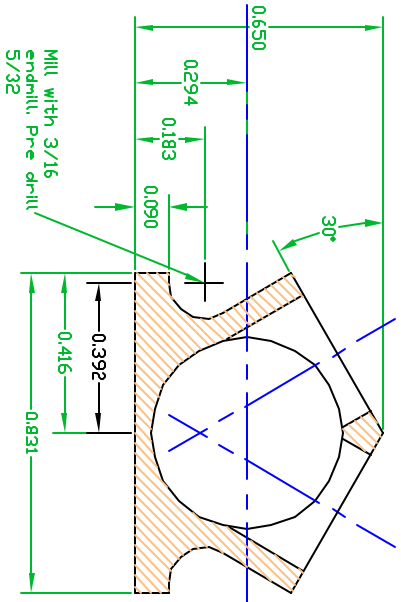
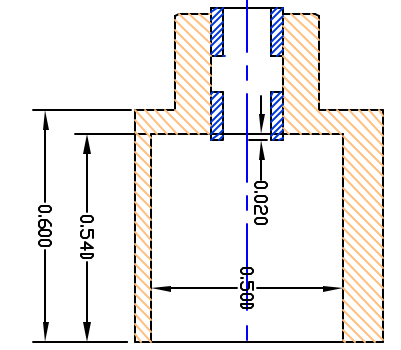


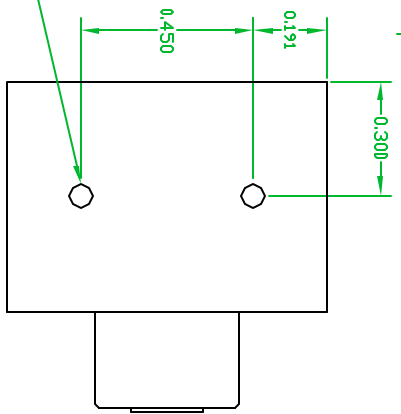
Crank shaft is pressed together, shaft is 1/8 drill rod, pin is 1/8 brass rod, disk is brass or aluminum.



Drill 3/64 x 3/16 deep, tap 0-80 x 1/8 deep, 4 places.



Drill #43 (0.089) x 5/16 deep Top 4-40 3/16 deep 2 places



David Kerzel

Pompano Beach, Florida USA

This drawing may be used or modified for any nonprofit purpose. All accuracy and safety issues are the users responsibility and the provider and originator are in no way responsible or liable. (C) David Kerzel, 2003

Assembly
Mini CO2 Vertical 2

Title
Crankcase

Date: 09/06/2003
Revision: 11

Drawing
Mini_V2-02