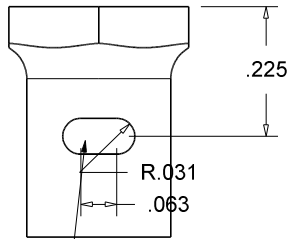
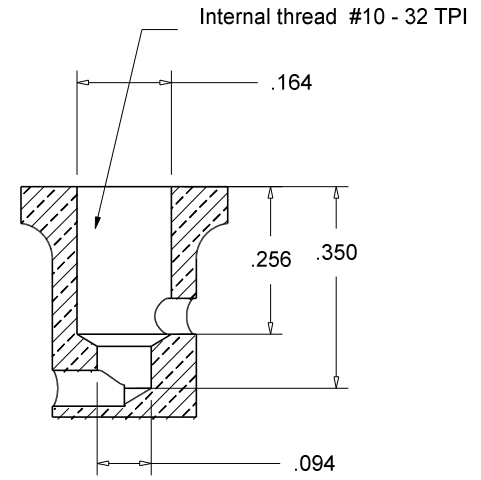
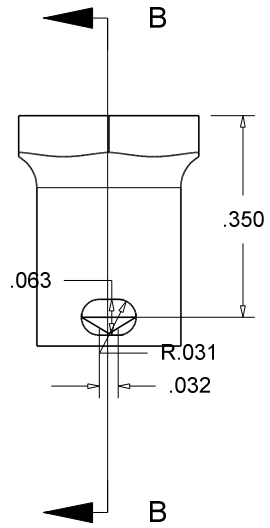
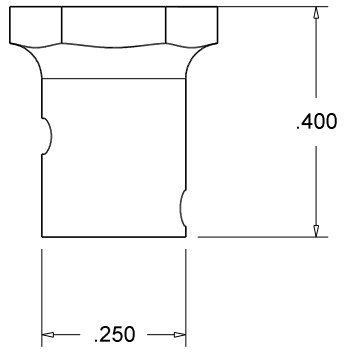


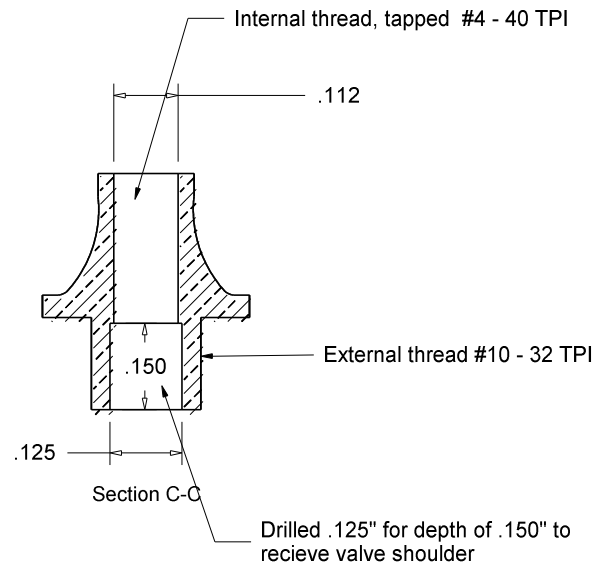
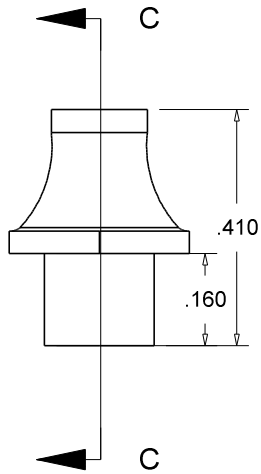
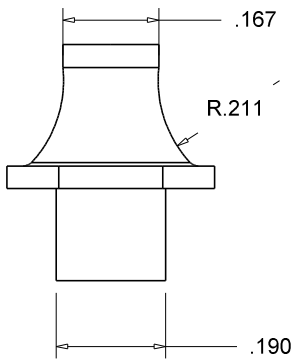
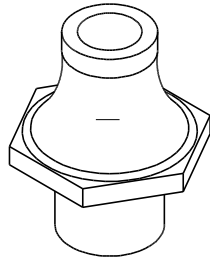
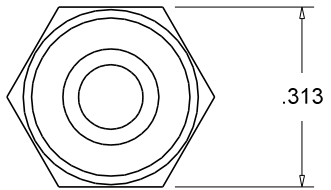
Turned to fit Straight valve body.
Assemble with silver solder for steam use or
Soft solder or Loctite for compressed air.

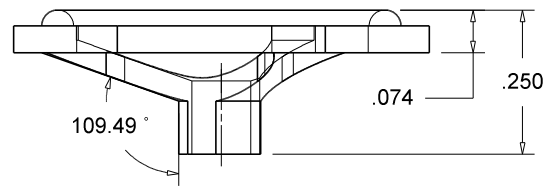
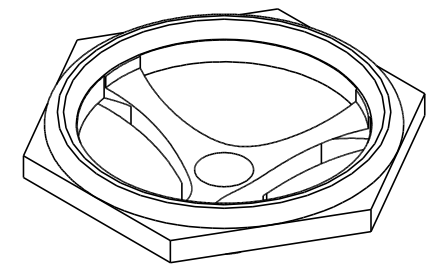
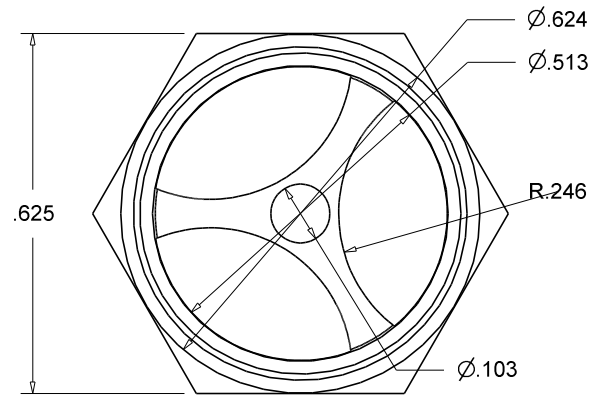
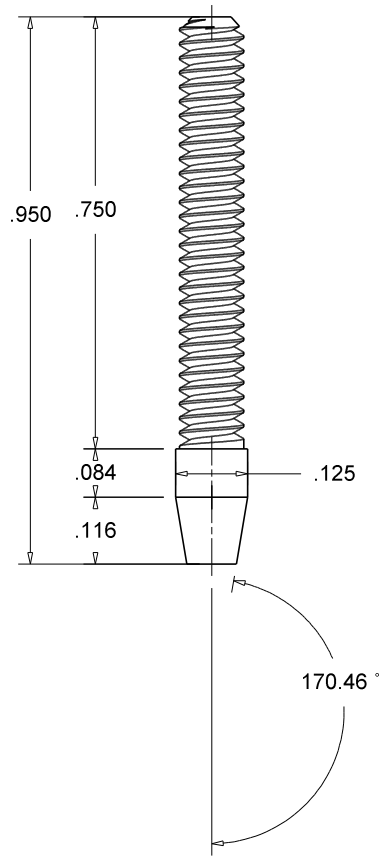


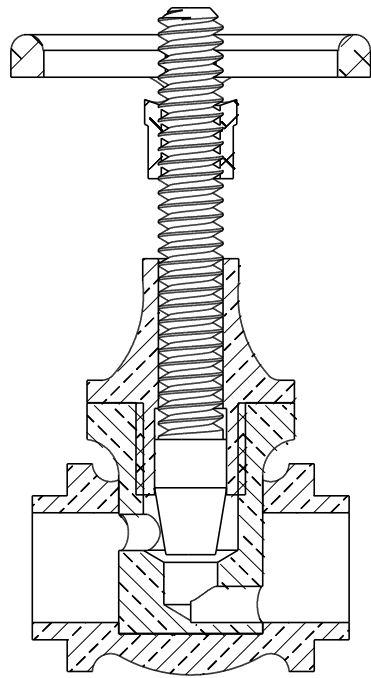
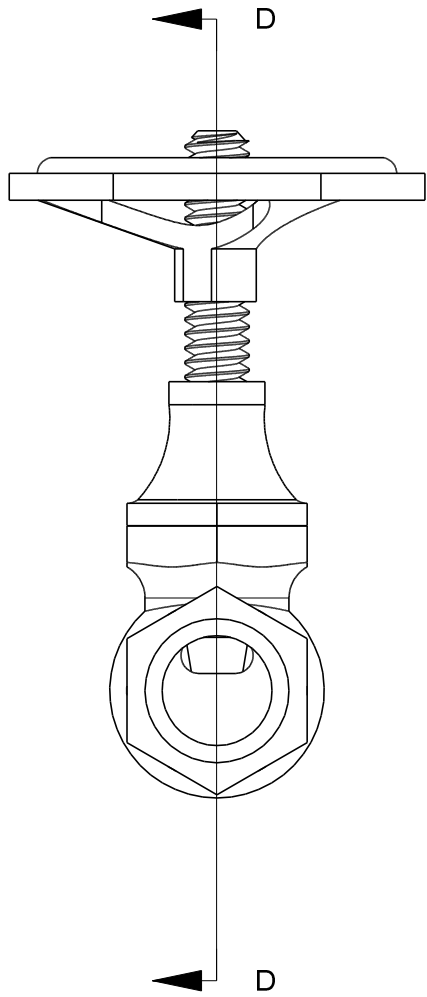
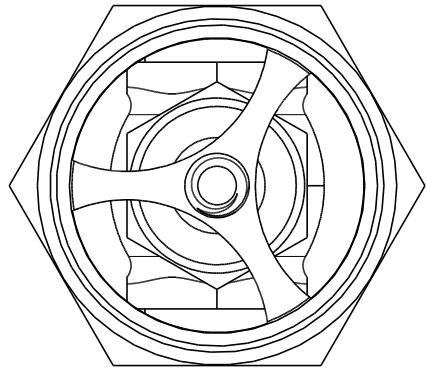
Milled with 1/16" endbill



Section B-B







Section D-D

