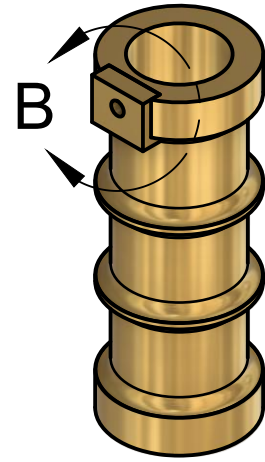
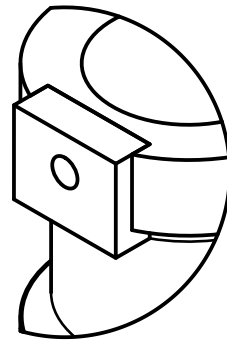
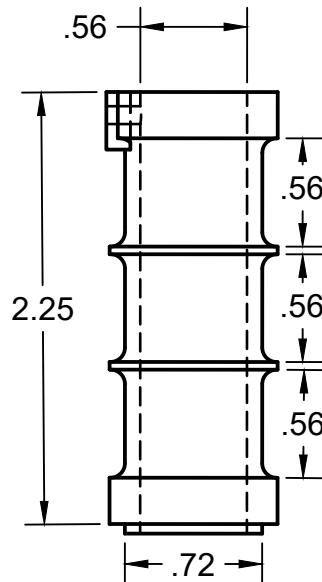
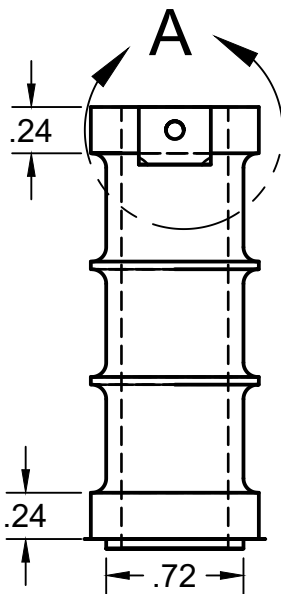
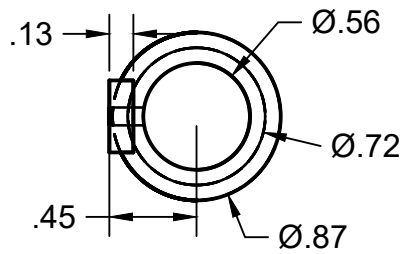
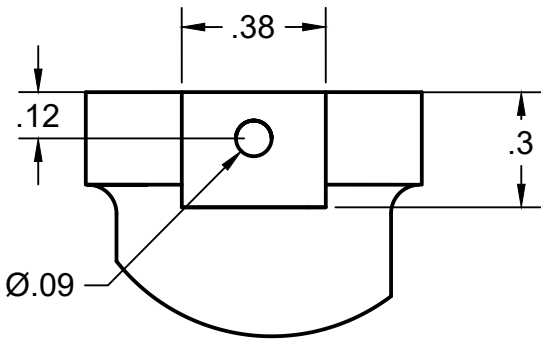


DETAIL B
SCALE 2:1



DETAIL A
SCALE 2:1



PROJECT

Maudslay Steam Engine

TITLE

Cylinder

APPROVED

SIZE

CODE

DWG NO

REV

CHECKED

A

DRAWN

Chuck Fellows

9/3/2018

SCALE 1:1

WEIGHT

SHEET 1/1