

Timing Details

Bore 19.00mm

Stroke 17.6mm

Capacity 4.99cc

Bore / Stroke Ratio 1.08:1

Inlet opens 67° ABDC

Inlet closes 38° ATDC

Inlet duration 151°

Transfer opens 126.5° ATDC

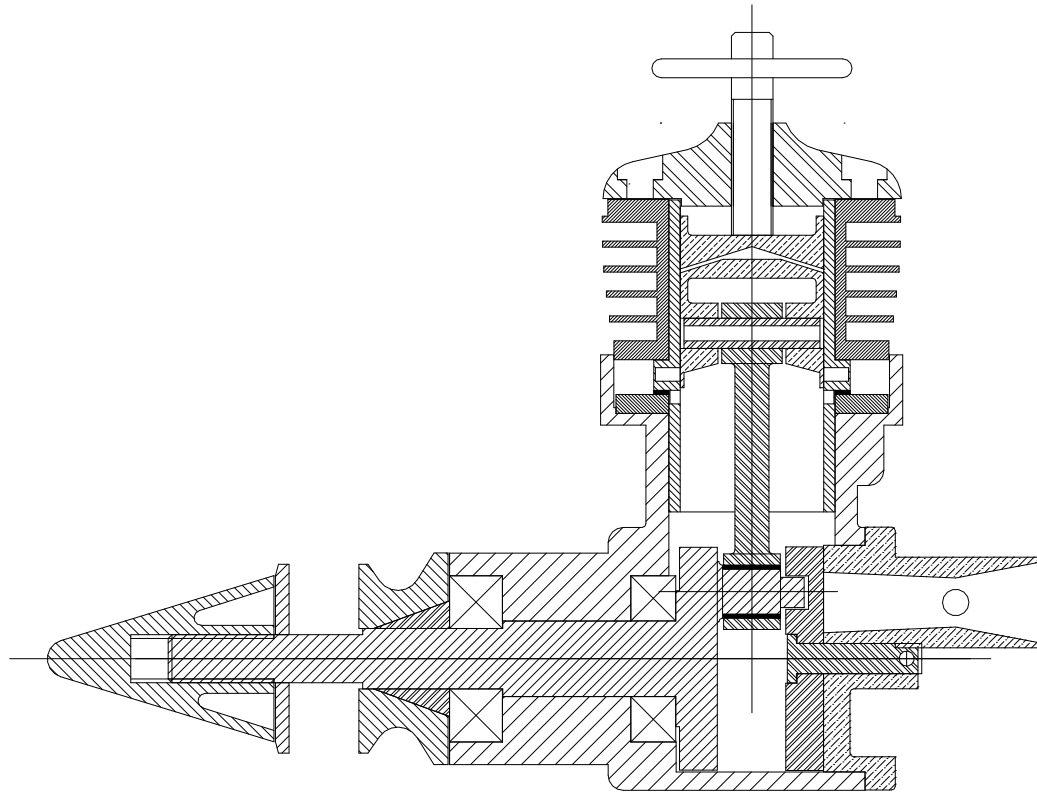
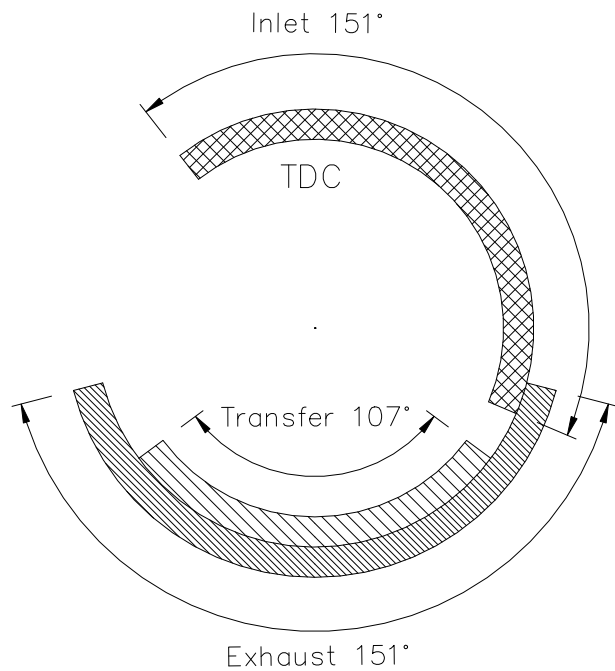
Transfer closes 53.5 ABDC

Transfer duration 107°

Exhaust opens 104.5° ATDC

Exhaust closes 75.5 ABDC

Exhaust duration 151°



Subject

ED Racer 5cc

Part

General Arrangement

Material

Drawn Ramon Wilson

Date 28 - 10 - 10