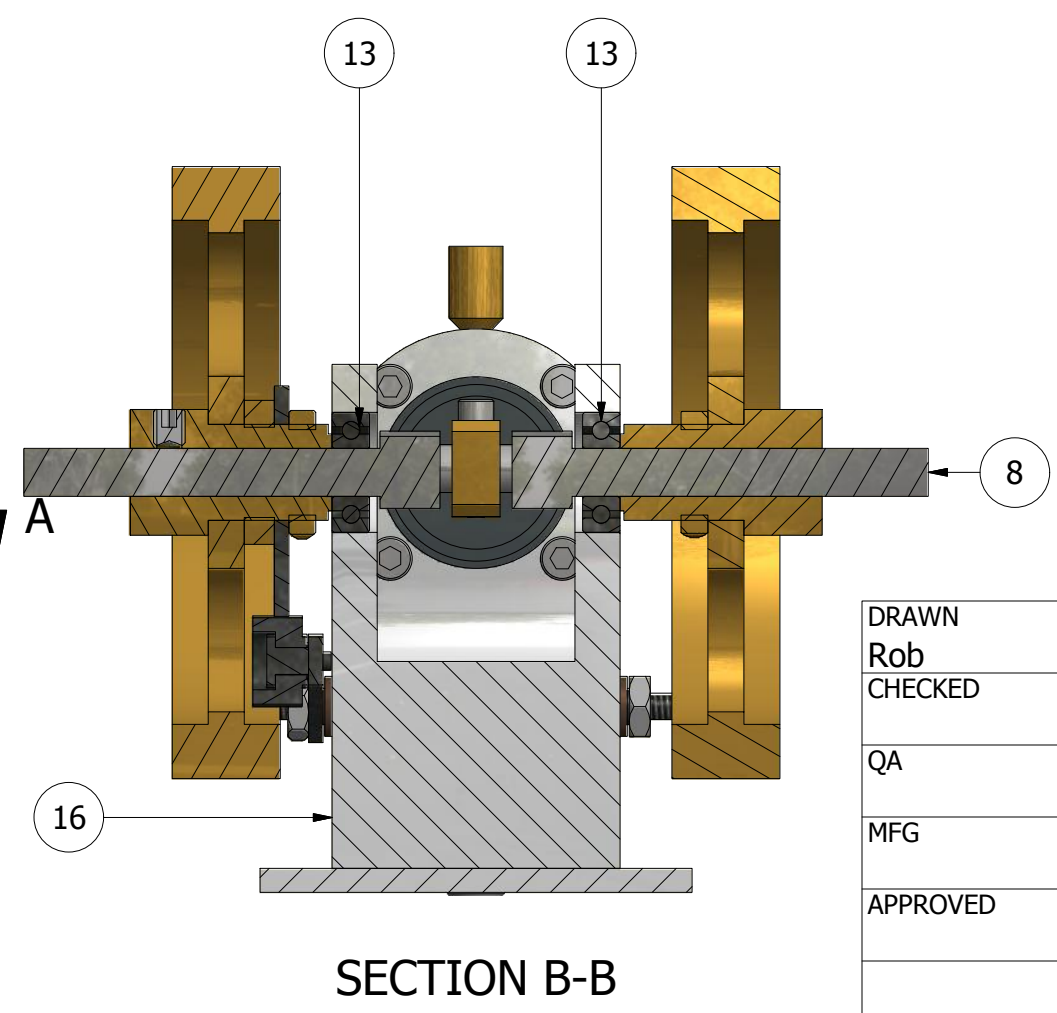
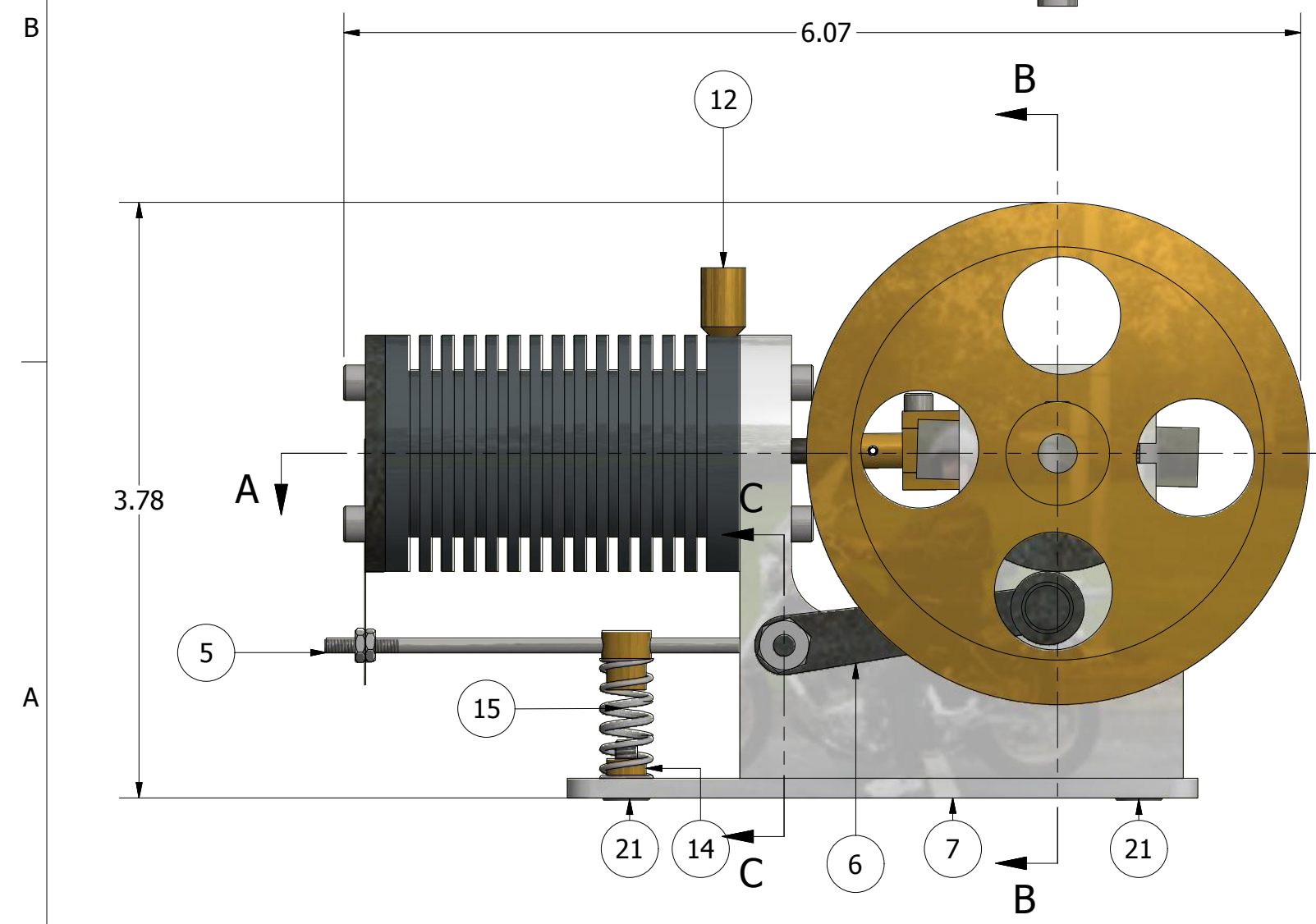
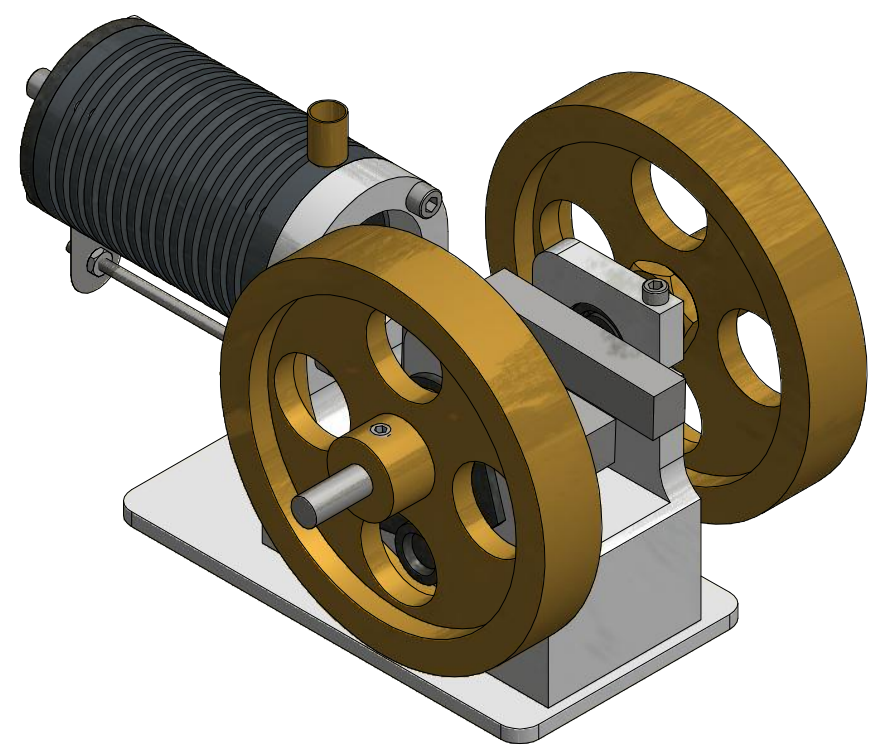
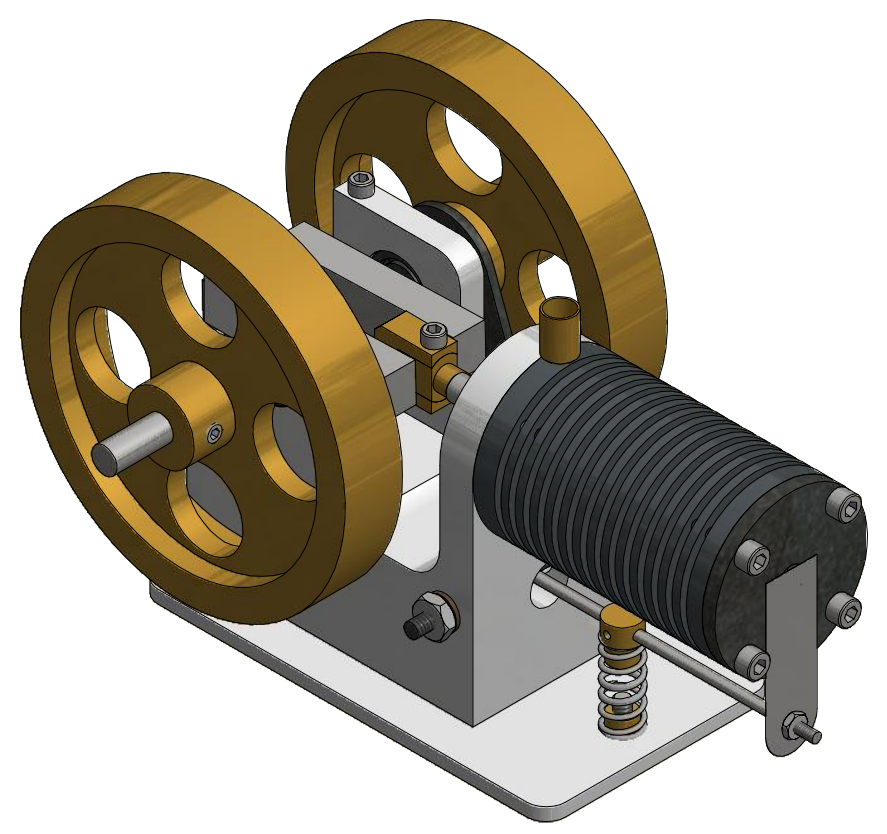
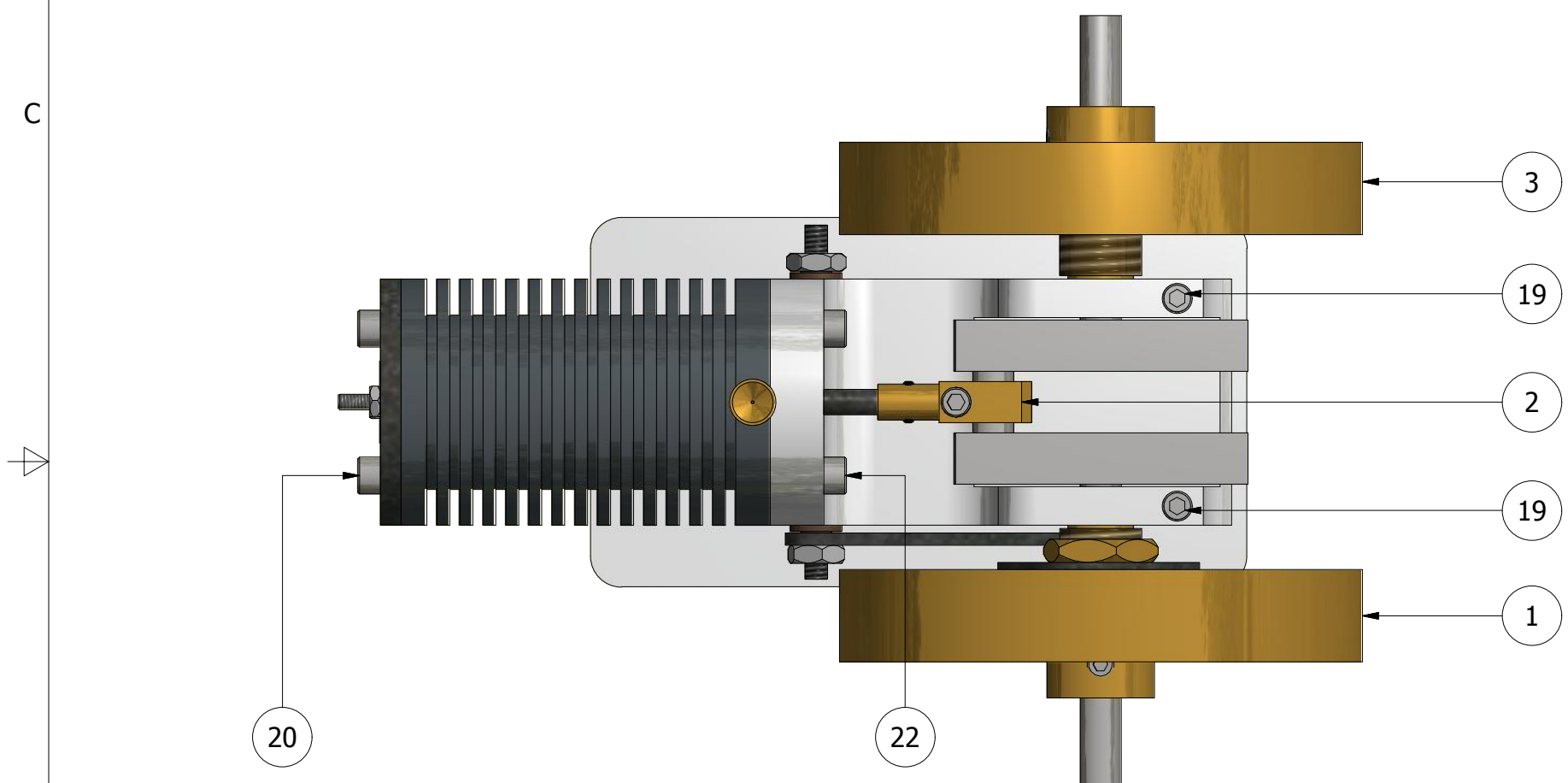


PARTS LIST		
ITEM	QTY	PART NUMBER
1	1	Assy - Cam-Flywheel
2	1	Assy - Crankshaft
3	1	Assy - Flywheel
4	1	Assy - Piston
5	1	Assy - Valve
6	1	Assy - Valve Rocker Arm
7	1	Baseplate
8	1	Crankshaft
9	1	Cylinder
10	1	Cylinder Head
11	1	Dowel - .094 x .75
12	1	Oil Cup
13	2	R4 Ball Bearing (McM 60355K503)
14	1	Spring Boss, Stationary
15	1	Spring, Compression, TBD
16	1	Standard
17	2	Valve Shaft Bearing
18	2	0600NHS
19	2	0412SHCS
20	4	0604SHCS
21	5	0606FHPS
22	4	0608SHCS



DRAWN Rob	8/11/2019	Chirico Engine Works	
CHECKED		TITLE	
QA		POPPIN 150 FLAME LICKER ENGINE	
MFG		SIZE C	DWG NO Assy - Poppin150
APPROVED		SCALE	REV
			SHEET 1 OF 1