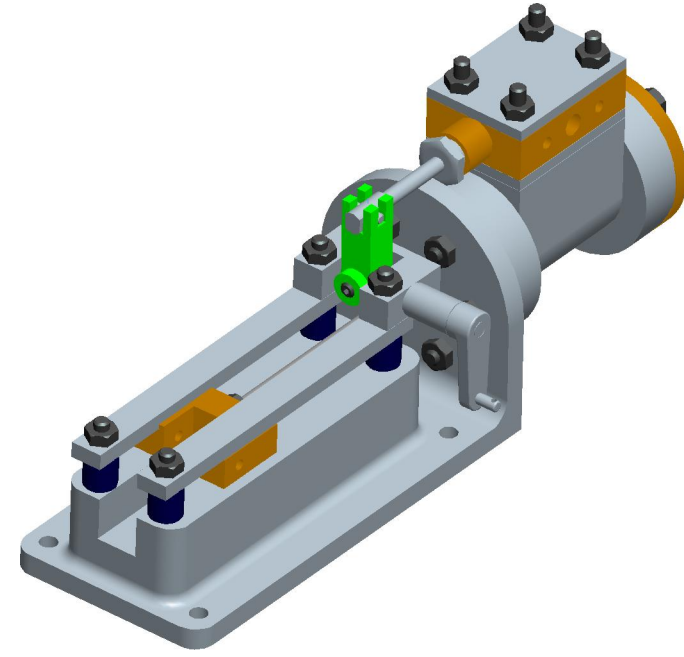
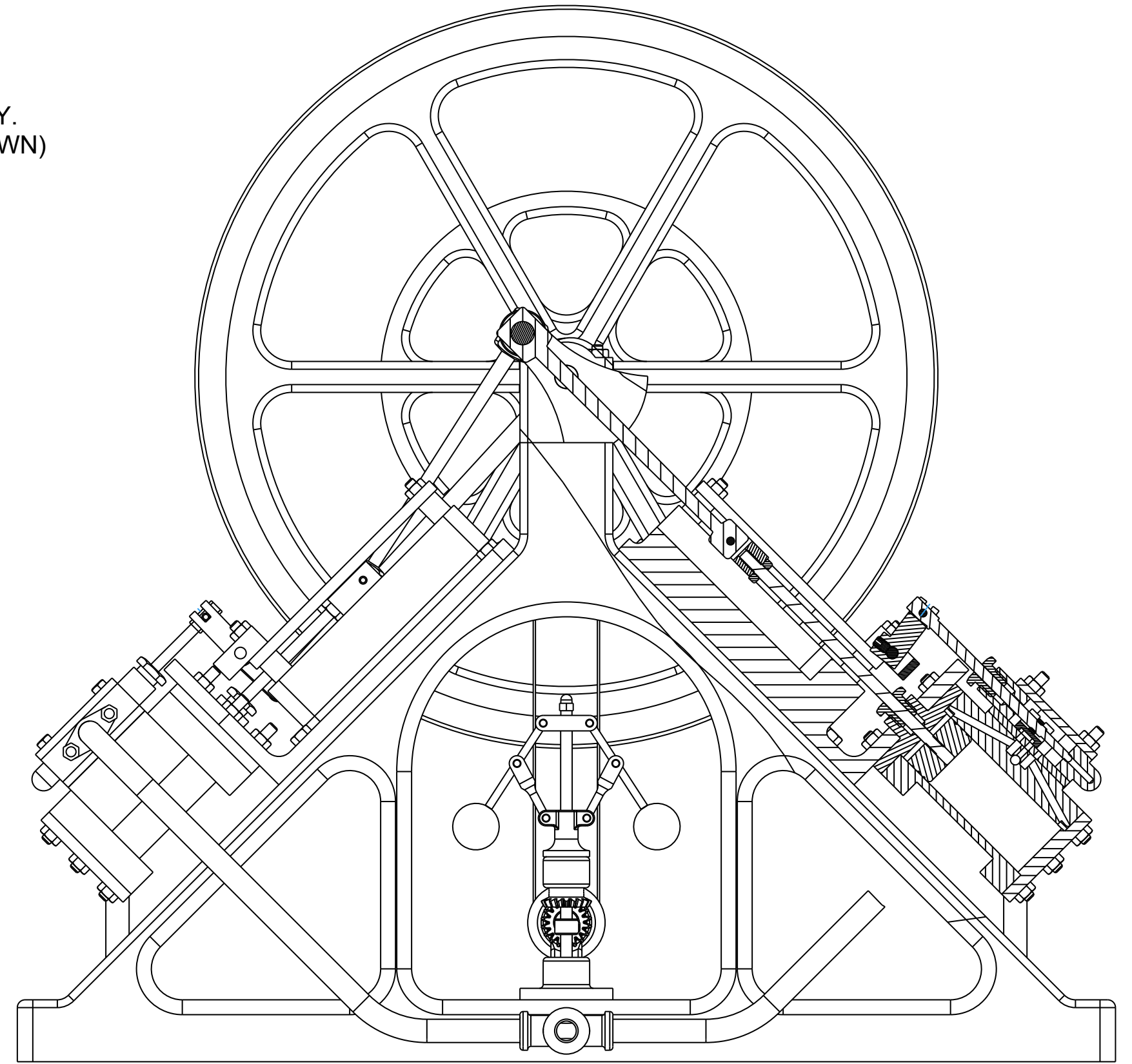
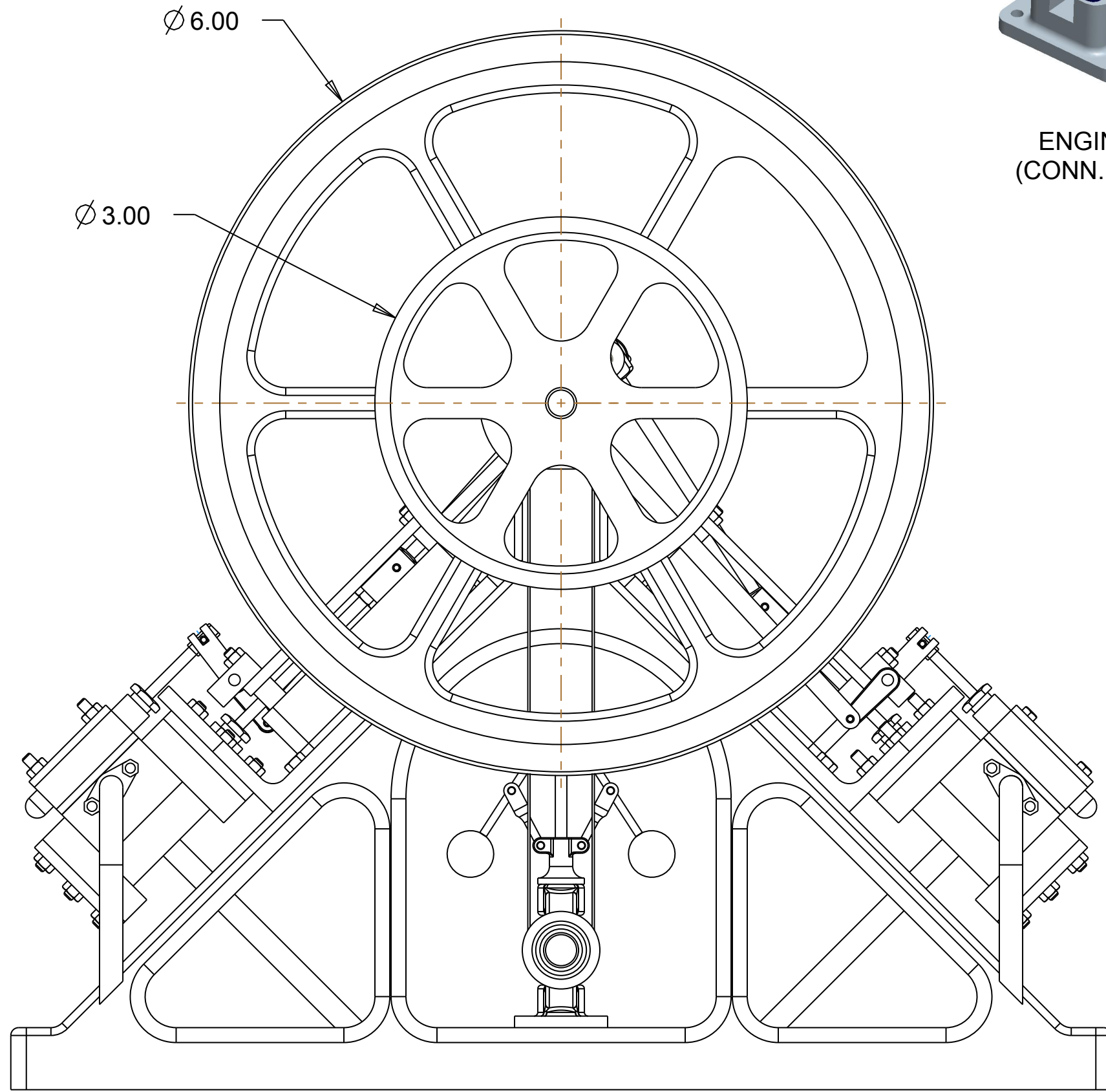


ELMERS #41 DIAGONAL ENGINE
(BASED ON ELMER VERBURGS
#41 FACTORY ENGINE)



ENGINE FRAME ASSY.
(CONN. ROD NOT SHOWN)



SECTION A-A

ELMERS #41 DIAGONAL ENGINE
(BASED ON ELMER VERBURGS
#41 FACTORY ENGINE)