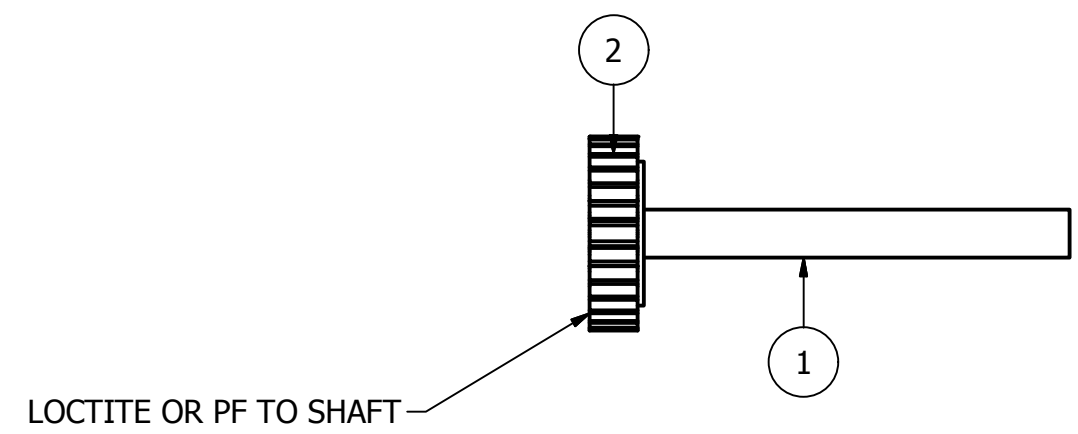
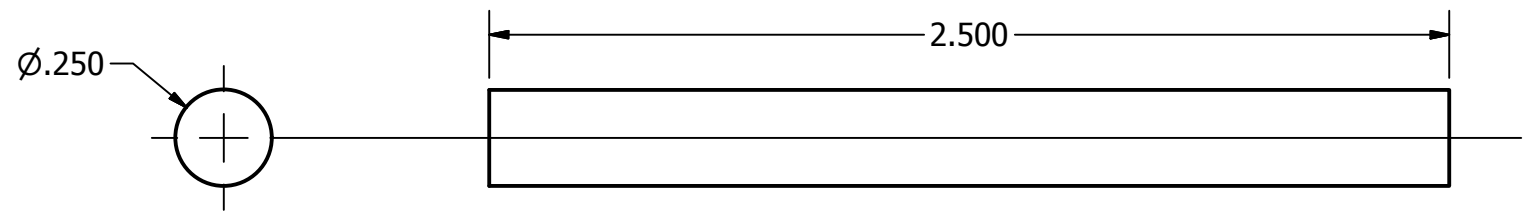
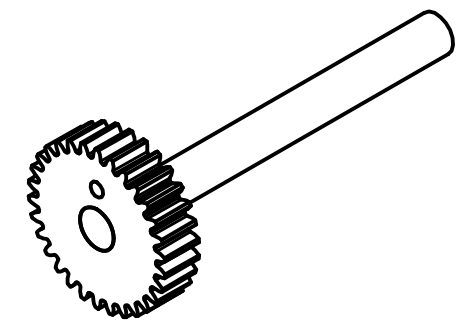
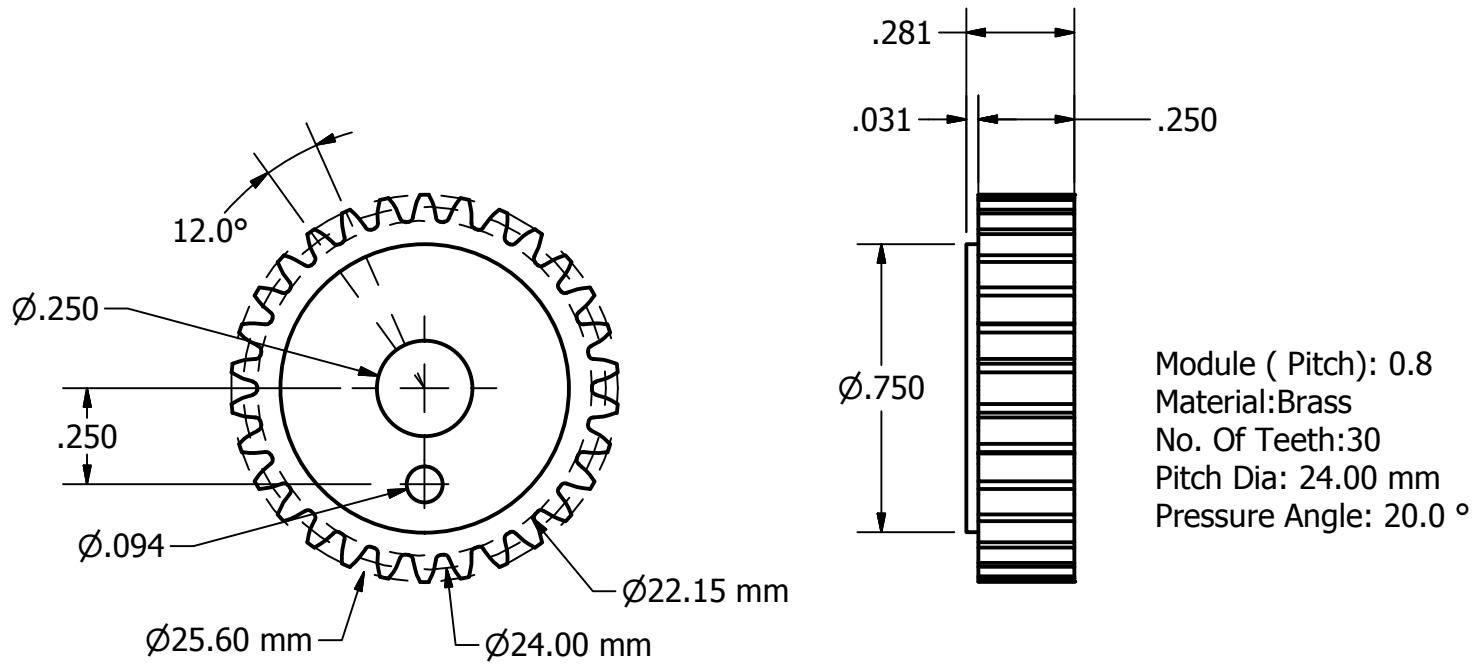


PARTS LIST			
ITEM	QTY	PART NUMBER	DESCRIPTION
1	1	Flywheel Shaft	
2	1	Gear, Mod .8, 24 Pitch DIameter, 30 Tooth	BRASS



DRAWN	2/1/2020	Chirico Engine Works		
Rob				
CHECKED		TITLE		
QA				
MFG				
APPROVED				
		SIZE	DWG NO	REV
		B	Assy - Crankshaft	
		SCALE	SHEET 1 OF 1	