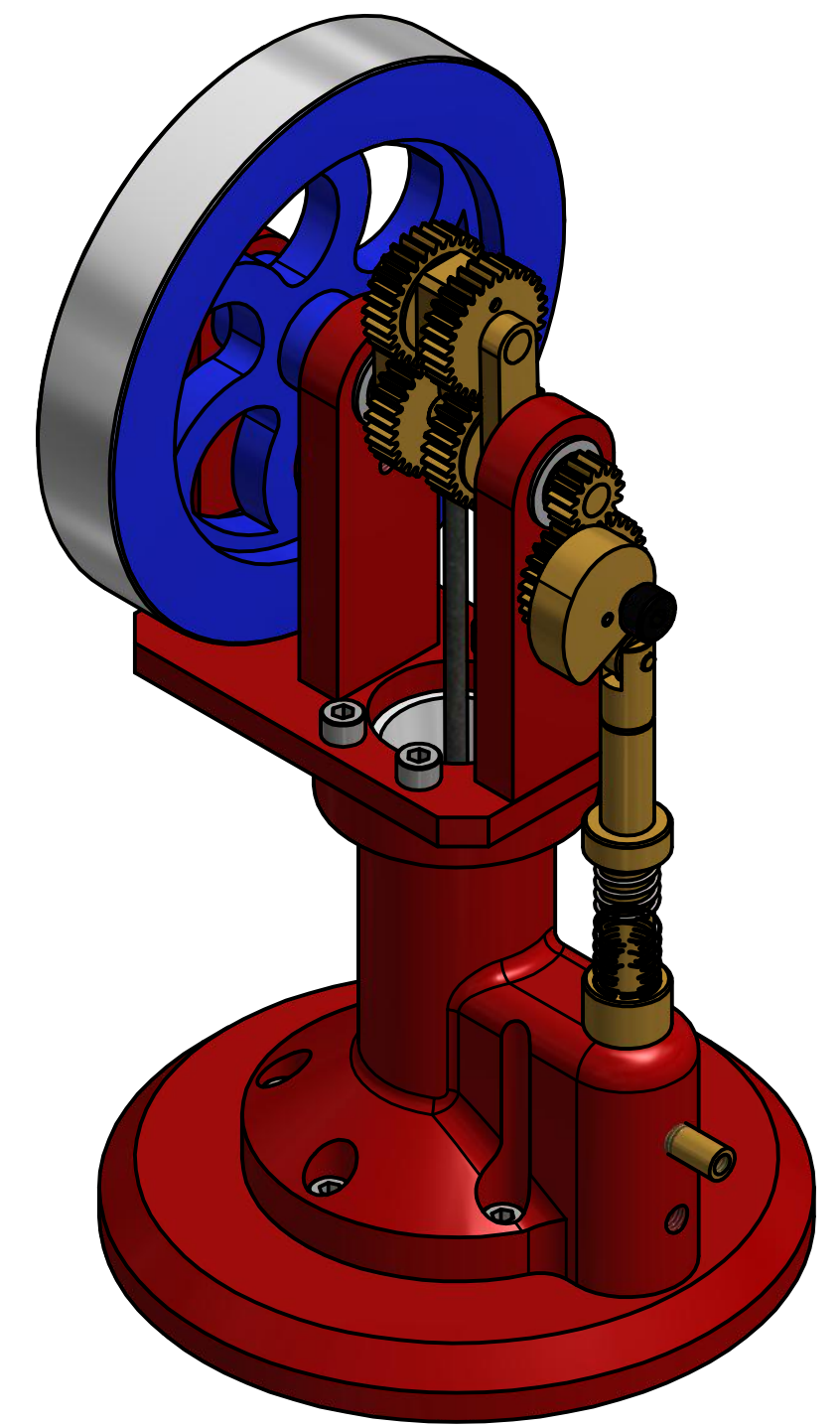
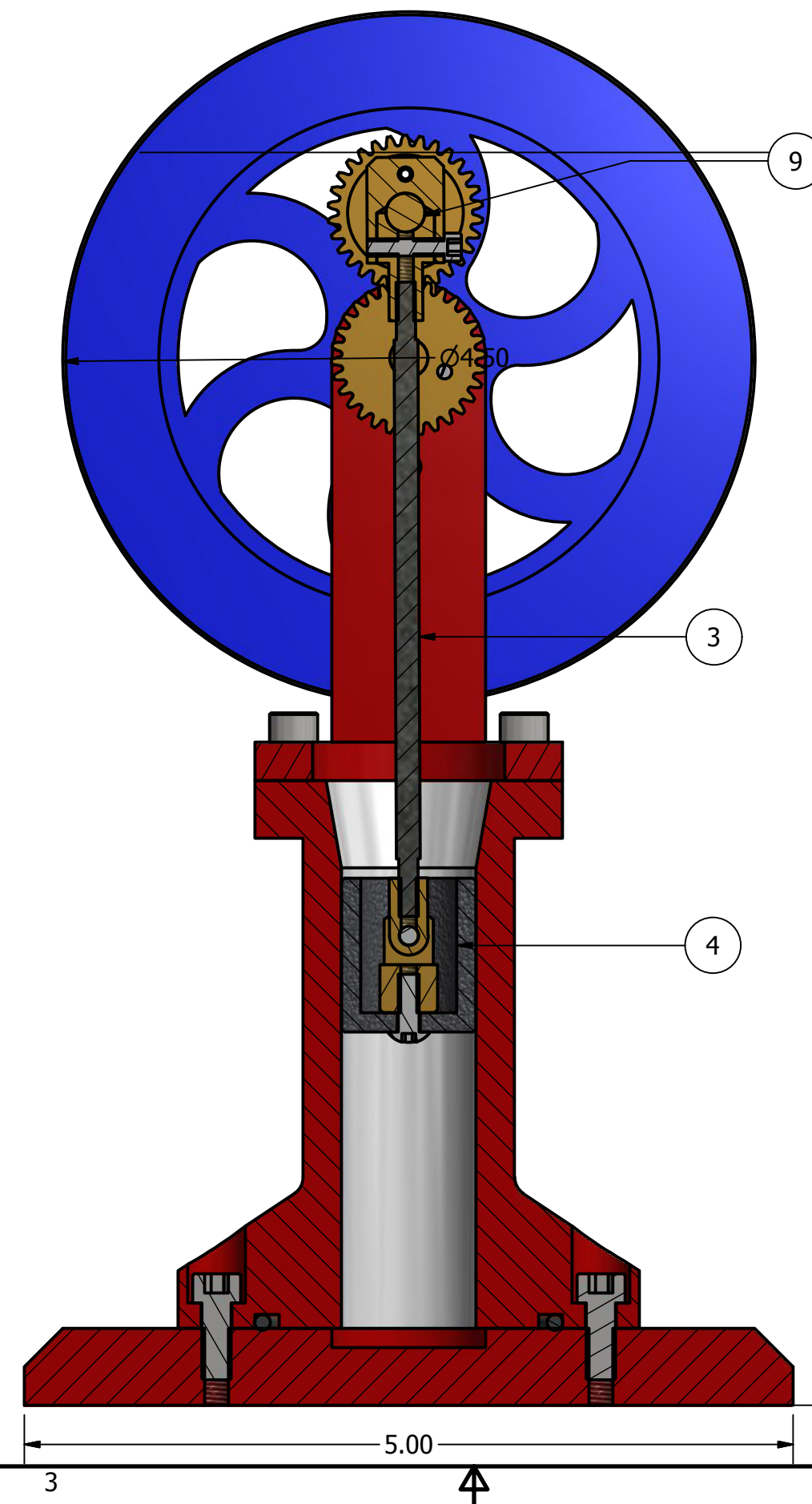
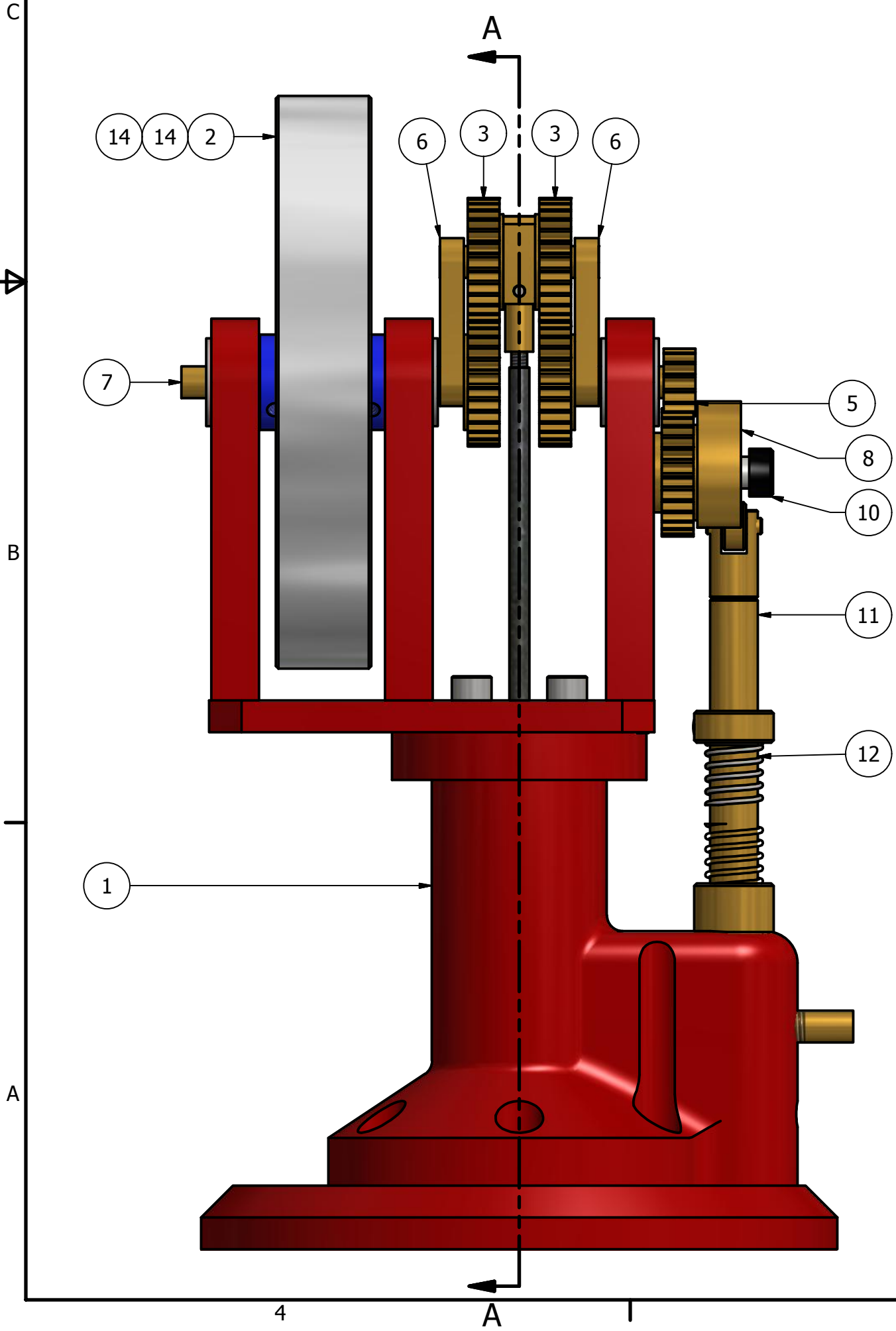


PARTS LIST			
ITEM	QTY	PART NUMBER	DESCRIPTION
1	1	Assy - Base	
2	1	Flywheel	MARTIN MODELS FW045-6S-C-RG-XXXX-CI
3	1	Assy - Connecting Rod	CONNECTING ROD ASSEMBLY
4	1	Assy	
5	1	Assy - Camshaft	
6	2	Crank Plate	BRASS
7	1	Assy - Crankshaft	
8	1	Assy - Cam	
9	1	Big End Pin	BRASS
10	1	.250 dia x 0.75 lg x 10-32 thread Shoulder Screw	.250 dia x .750 lg x 10-32 thread Shoulder Screw
11	1	Assy, Valve	
12	1	Spring, Compression, TBD	
14	2	0803COPS	10-32 X 1/4 CUP POINT SETSCREW



DRAWN Rob	2/1/2020	Chirico Engine Works	
CHECKED		TITLE	
QA		Single Acting Sun & Planet Engine	
MFG		SIZE C	DWG NO Assy - Engine
APPROVED		SCALE	REV
			SHEET 1 OF 1