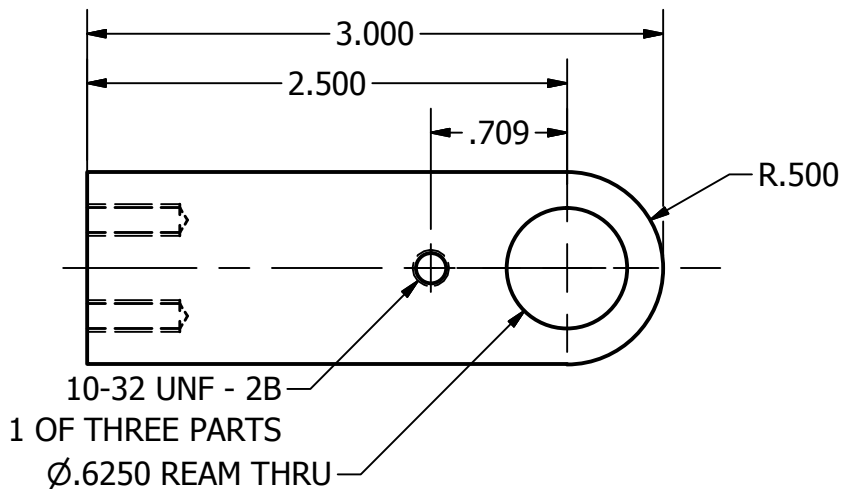
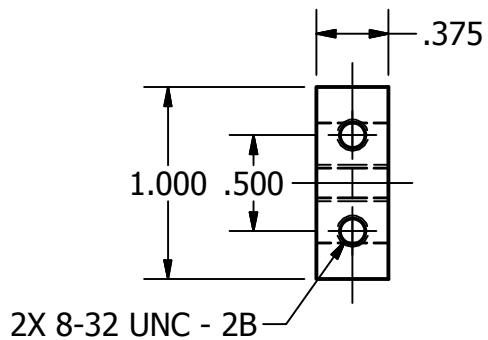


PARTS LIST			
ITEM	QTY	PART NUMBER	DESCRIPTION
1	1	Flywheel Bearing Housing	AL OR BRASS



DRAWN	2/1/2020	Chirico Engine Works		
Rob				
CHECKED				
QA				
MFG				
APPROVED		TITLE		
		SIZE	DWG NO	REV
		A	Flywheel Bearing Housing	
		SCALE	SHEET 1 OF 1	