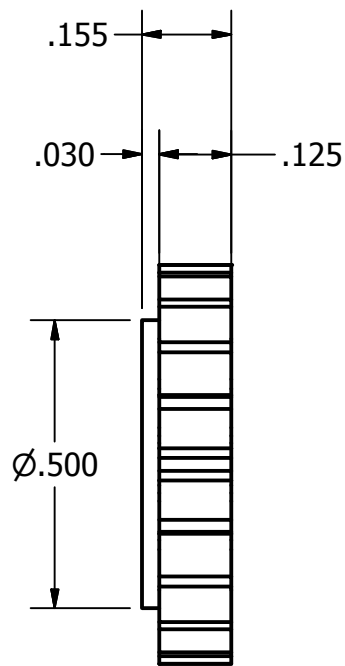
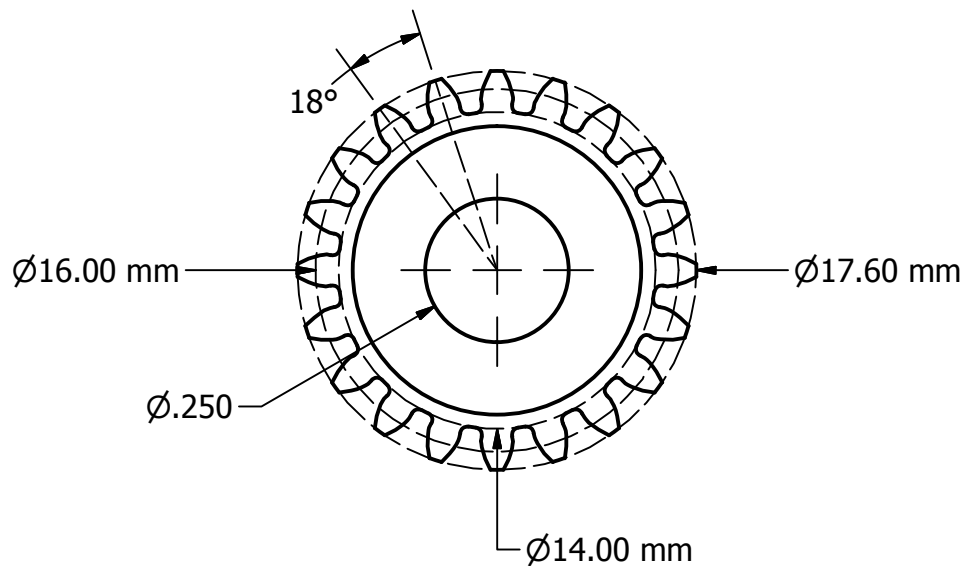


Module ( Pitch): 0.8  
 Material: Brass  
 No. Of Teeth: 20  
 Pitch Dia: 16.00 mm  
 Pressure Angle: 20.0 °



DRAWN	2/1/2020
Rob	
CHECKED	
QA	
MFG	
APPROVED	

Chirico Engine Works			
TITLE			
SIZE	DWG NO	REV	
A	Planet Gear		
SCALE	SHEET 1 OF 1		