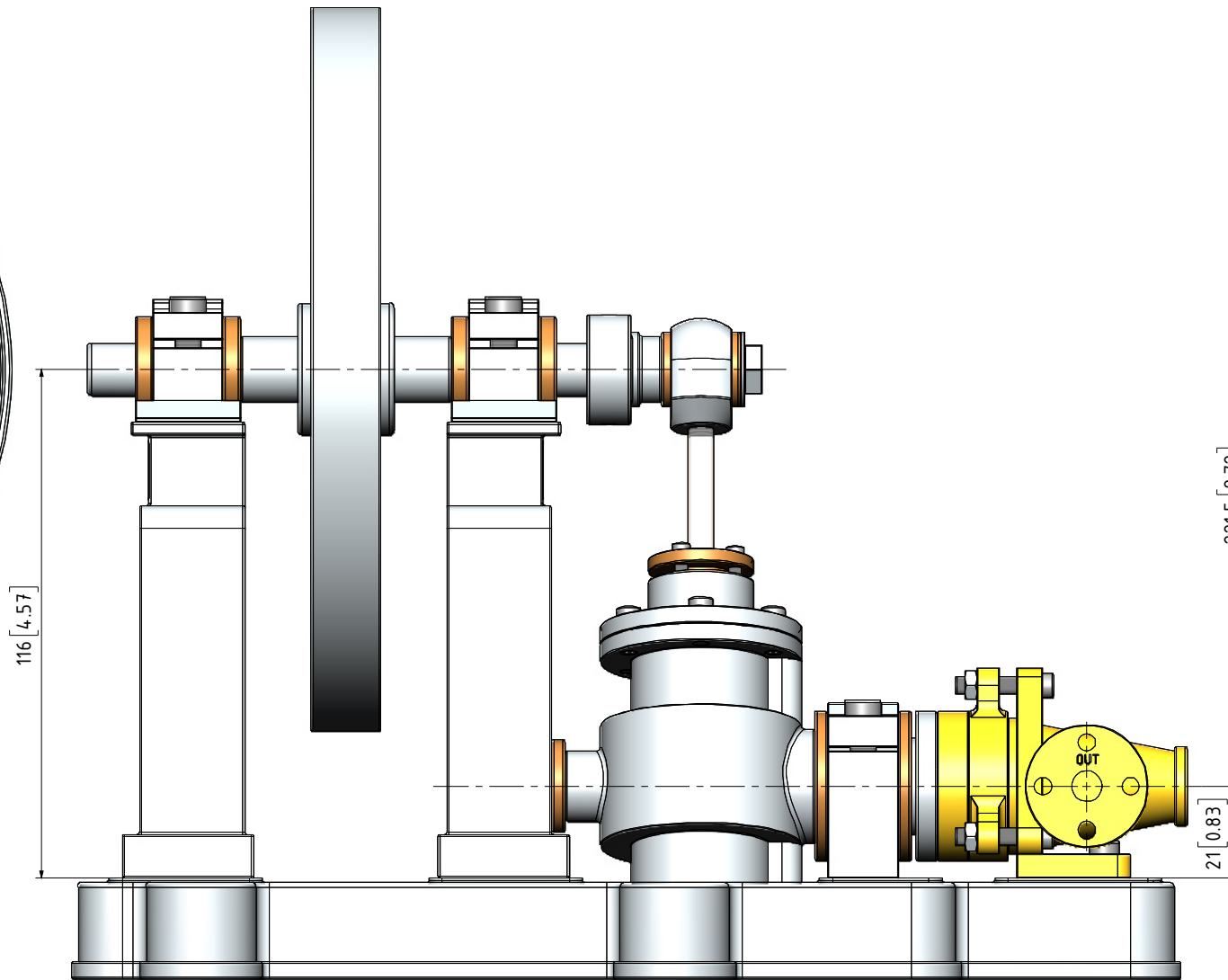
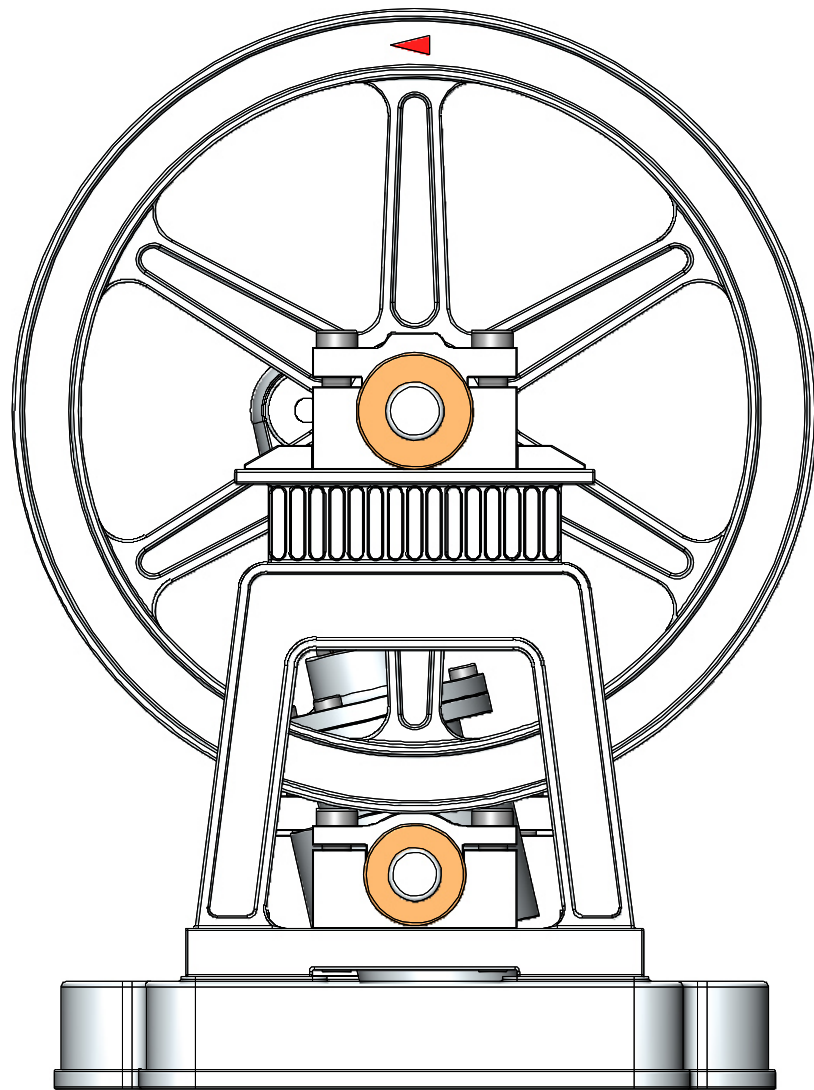


254.5 [10.02]

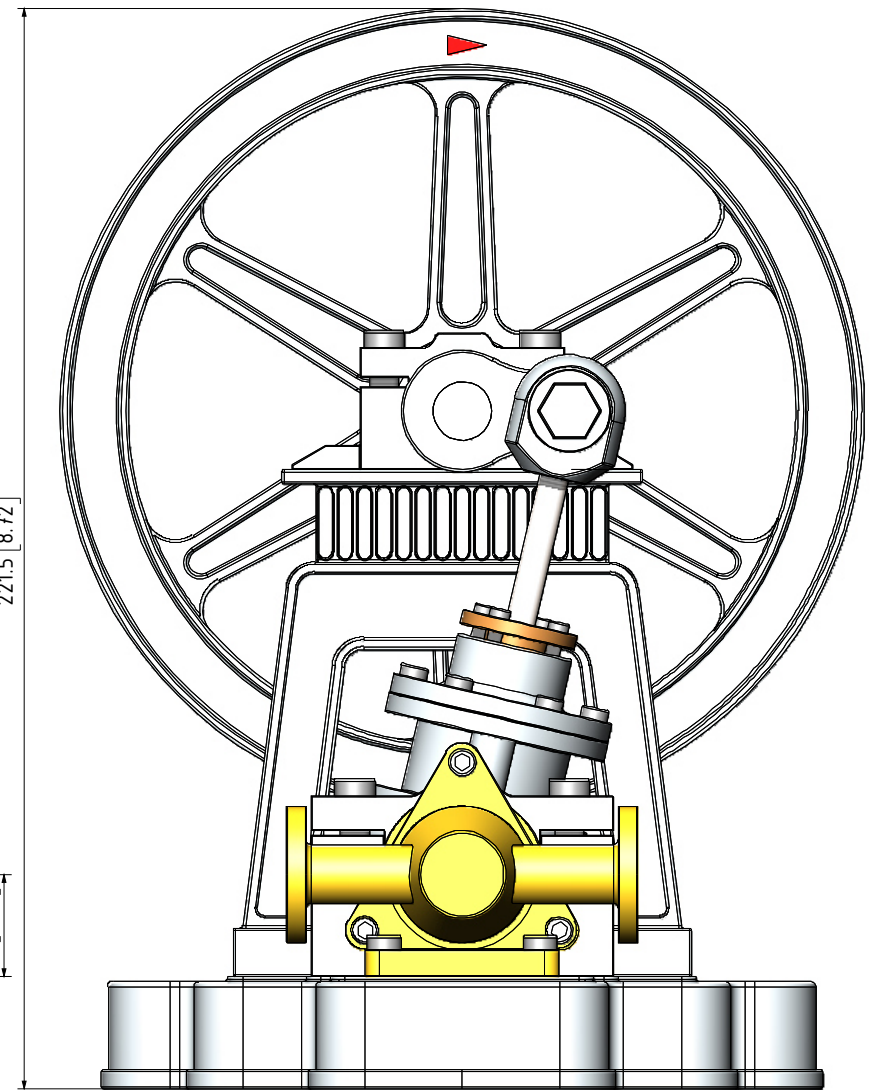
QTY.	PART NUMBER
1	09A-26-00-1-01-BASEPLATE
1	09A-26-00-1-02-CRANK SHAFT BEARING COLUMN
1	09A-26-00-1-02-CRANK SHAFT BEARING COLUMN
2	09A-26-00-1-03-CRANKSHAFT BEARING
1	09A-26-00-1-04-CYLINDER TRUNNION INNER BEARING
1	09A-26-00-1-05-CYLINDER TRUNNION OUTER BEARING
1	09A-26-00-1-06-STEAM IN STEAM OUT FLANGE UNIT
1	09A-26-00-1-07-PORT BLOCK
1	09A-26-00-2-01-CYLINDER
1	09A-26-00-2-02-LOWER CYLINDER COVER
1	09A-26-00-2-03-TOP CYLINDER COVER
1	09A-26-00-2-04-CRANKSHAFT+FLYWHEEL
1	09A-26-00-2-05-PISTON+ROD
1	09A-26-00-2-06-COMPRESSION SPRING
4	09A-26-00-M3x10 A-K CYL HEAD SCREW
2	09A-26-00-M3x8 A-K C-SINK SCREW
5	09A-26-00-M4 NUT
1	09A-26-00-M4 WASHER
3	09A-26-00-M4x20 A-K CYL HEAD SCREW
12	09A-26-00-M4x8 A-K CYL HEAD SCREW
2	09A-26-00-M5x14 A-K CYL HEAD SCREW
4	09A-26-00-M6x20 A-K CYL HEAD SCREW
2	09A-26-00-M6x30 A-K CYL HEAD SCREW
4	09A-26-00-M6x40 A-K CYL HEAD SCREW
2	09A-26-00-M6x48 A-K CYL HEAD SCREW



116 [4.57]

221.5 [8.72]

21 [0.83]



NOTES: FOUND SOME DRAWINGS/SKETCHES ON THE INTERNET AND ON THE MEM FORUM

TITLE  
B.HICK & SON OSCILLATING ENGINE (2HP)

DRAWING CONTENTS  
GENERAL ARRANGEMENT AND BILL OF MATERIAL

PROJECT No 09A-26-00  
JDW DRAUGHTING SERVICES  
J.A.M. DE WAAL, 12 BRIGHTWELL STREET PAKAPURA  
2110, NEW ZEALAND. PHONE: 0064 09 2988815. MOB:  
0211791000 E-MAIL: dewaal@xtra.co.nz.

PROJECTION  
DATE FEBRUARY 2020  
SHEET: 01 OF 03  
JDWDS  
MODEL SCALE: 1:1  
DWG SCALE: 1:1 @A3 OR AS SHOWN  
Copyright © J.A.M. DE WAAL PAKAPURA NZ  
A3 No: 09A-26-00-SHT01

DRAWINGS ARE FOR PERSONAL USE ONLY NOT FOR COMMERCIAL PURPOSES