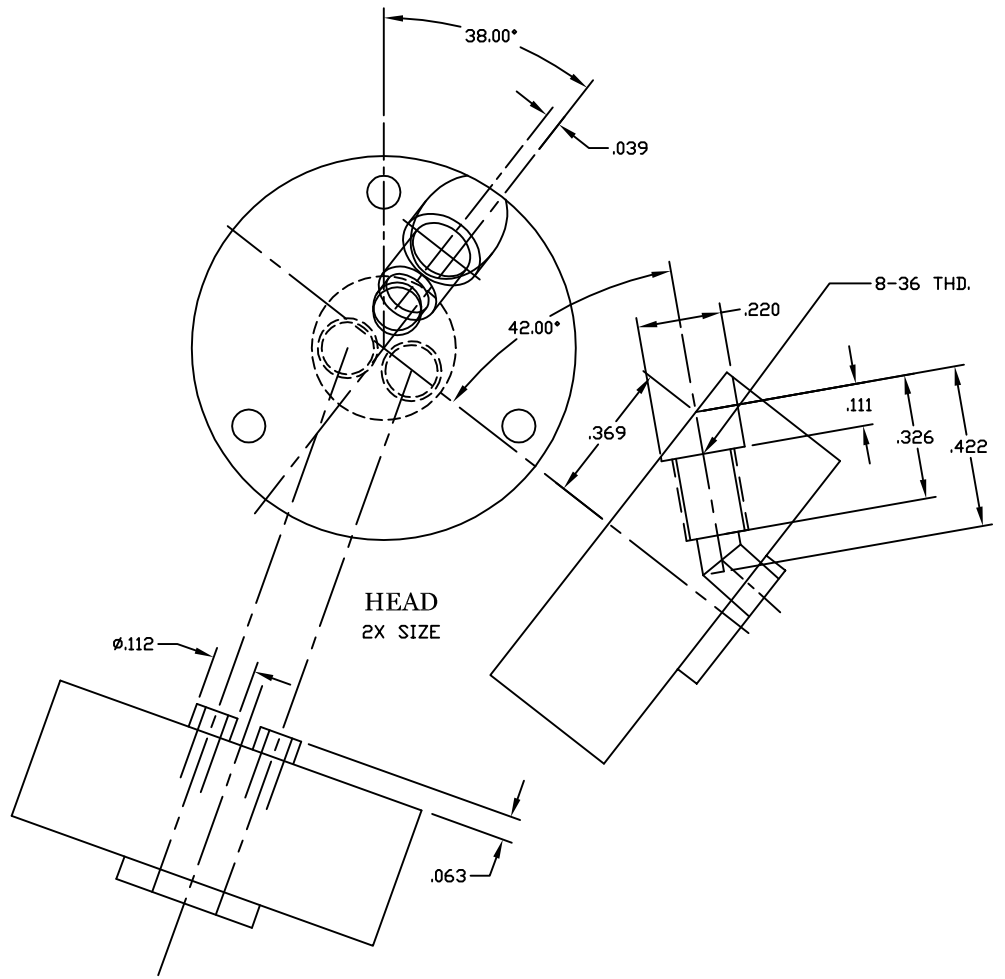
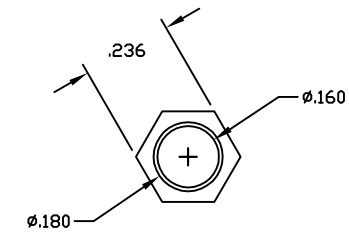


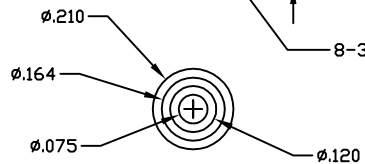
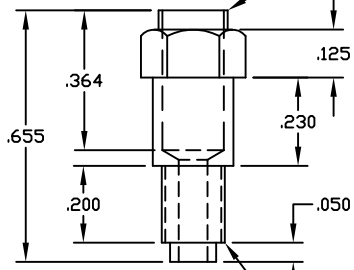
CYLINDER
1.5X SIZE



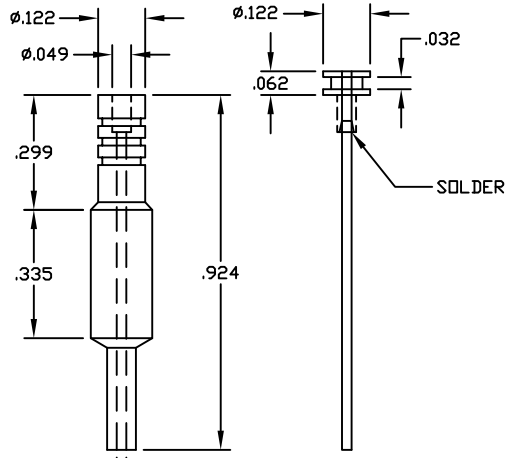
HEAD
2X SIZE



CRIMP AT ASSY



SPARK PLUG
2X SIZE



.025 MUSIC WIRE
SOLDER TO BRASS CAP

INSULATOR CORIAN

AIR COOLED VERSION
REVISIONS BY GEORGE D. BRITNELL
TINY HIT AND MISS