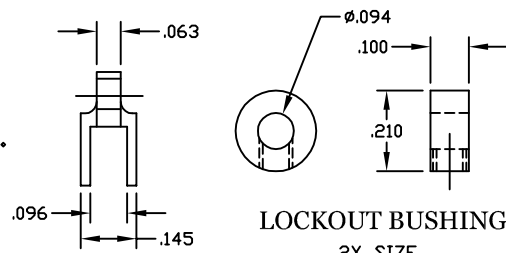


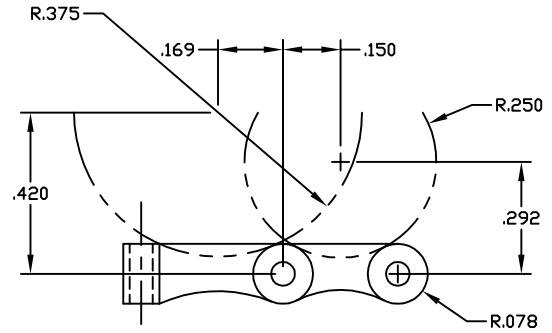
LOCKOUT LEVER

2X SIZE



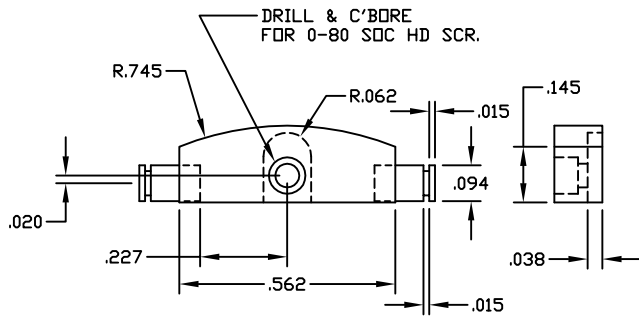
LOCKOUT BUSHING

2X SIZE



ROCKER ARM

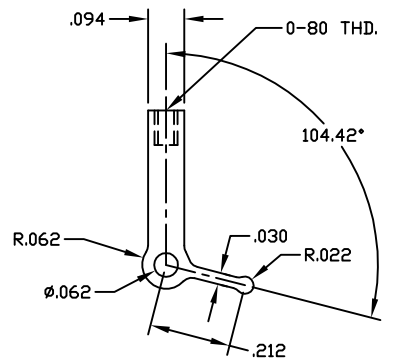
2X SIZE



GOVERNOR WEIGHT

2X SIZE

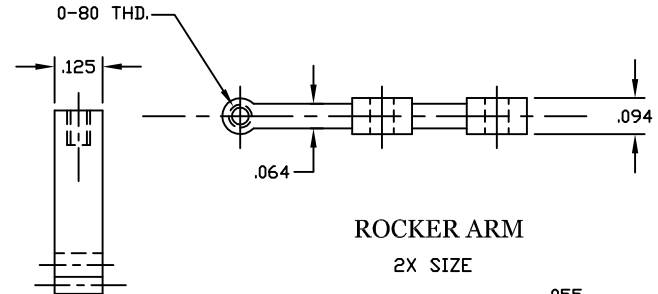
2 REQ'D



GOVERNOR ARM

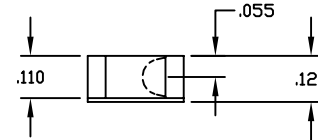
2X SIZE

2 REQ'D



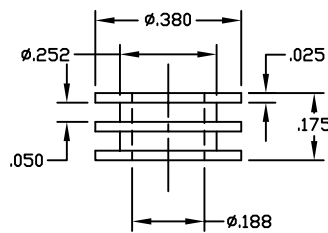
CAM FOLLOWER

2X SIZE



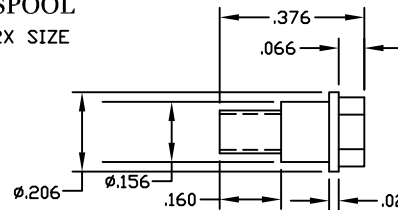
SPOOL

2X SIZE



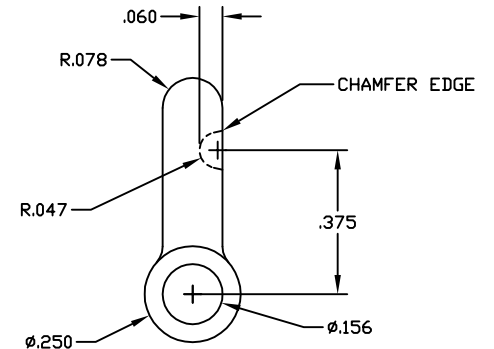
ARM BRACKET

2X SIZE



CAM FOLLOWER BOLT

2X SIZE



CAM FOLLOWER

2X SIZE

AIR COOLED VERSION

REVISIONS BY GEORGE D. BRITNELL

TINY HIT AND MISS