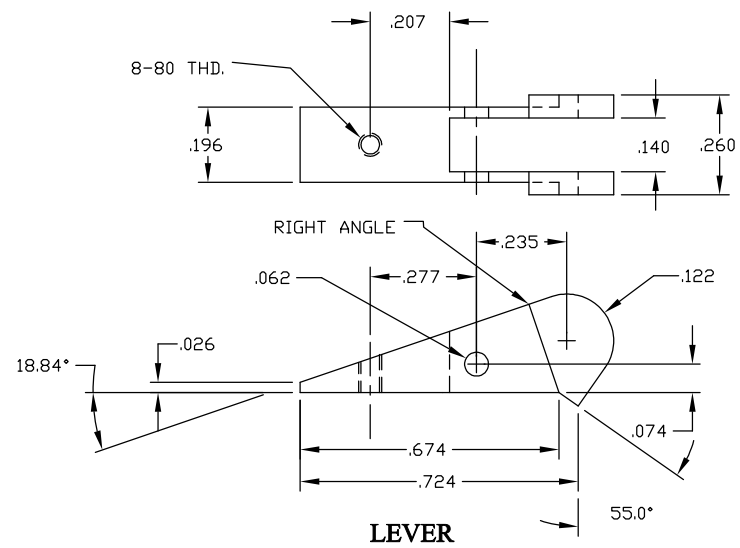
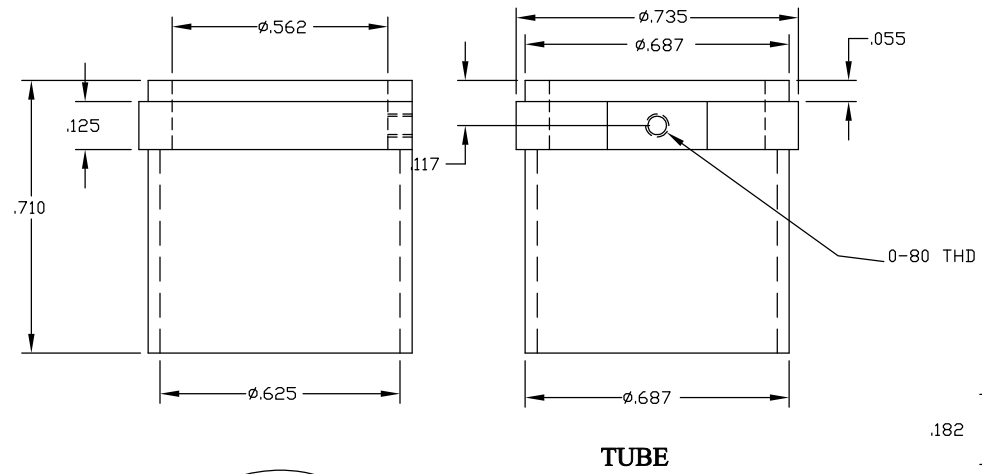


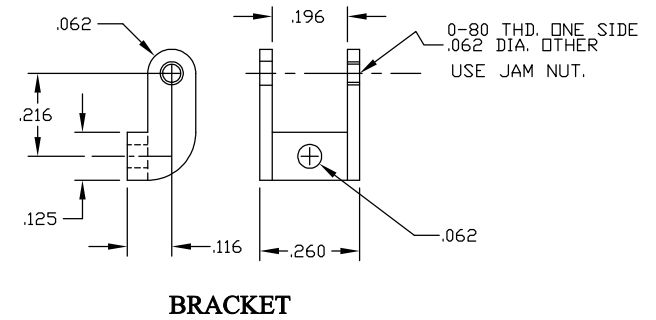
CAP



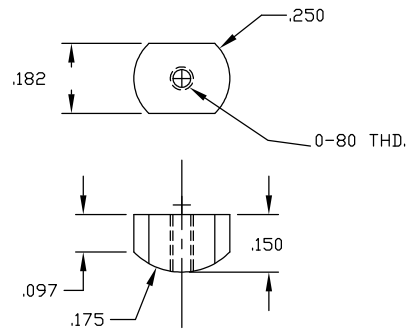
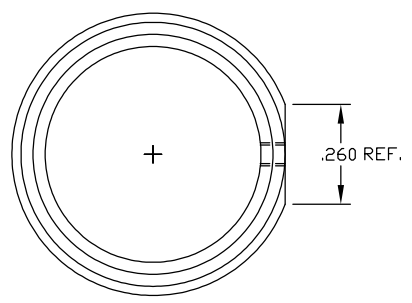
LEVER



TUBE



BRACKET



WEIGHT

BRASS
ADJUST SIZE TO CLOSE CAP

DRAWN BY: GEORGE D. BRITNELL	
SCALE: 2X SIZE	SHT. 1
DATE: NOV. 16, 2020	RAIN CAP
HOLT 75 ENGINE	