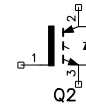


Designed By Ray C. Richter
 For personal use only. For commercial use
 please contact me at rrichter@unimatrixtech.com.
 ALL Copyrights enforced 2021.

OPTION

IRG4BC15UD--L (IRG4BC15UD-)



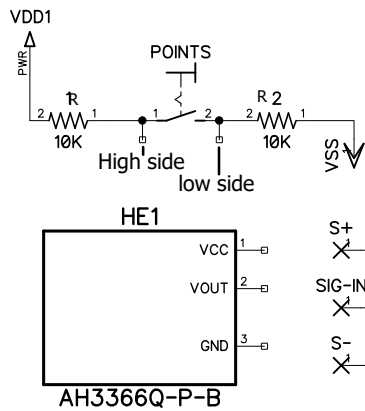
IGBT FGP3040G2-F085

OPTION

- POINTS
- no input capacitor required, CD4047B takes care of bounce.
 - can be set to give a positive or negative pulse.
 - timing NOT affected by rpm UNLESS you want it too.
 - use the CD4047B to adjust the dwell (coil charge time).
 - Once triggered cannot be retriggered by noise.

FOR POINTS

Place resistor either before or after depending if you want a positive pulse or a negative pulse.



Hall Effect Output WITH NO RESISTORS

+T Input/Q Output

+T Input/Q NOT Output

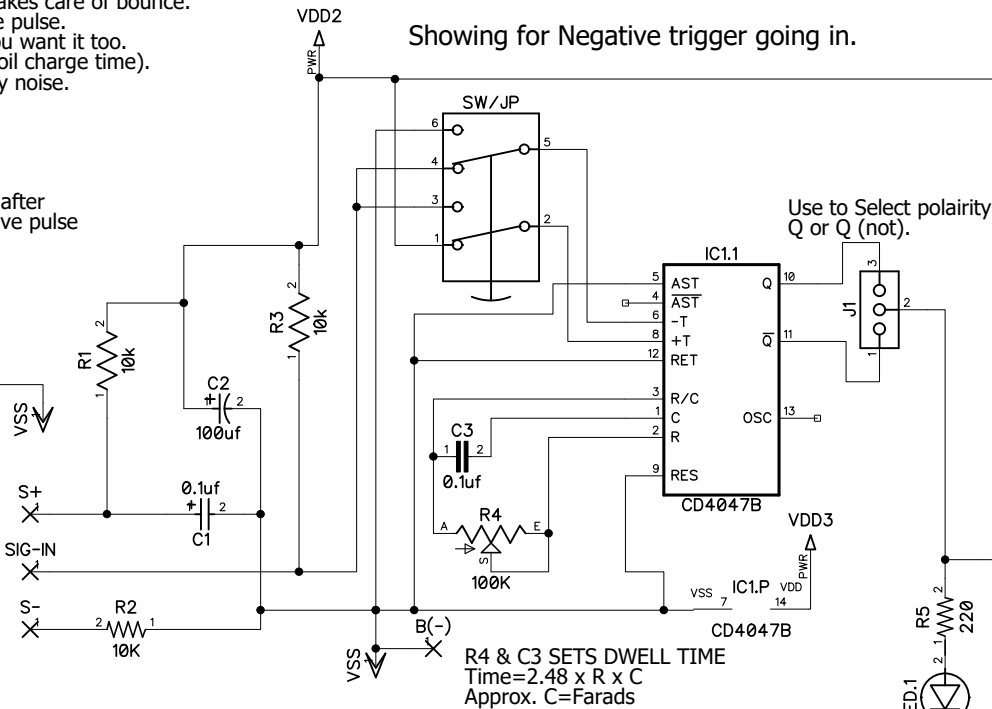
-T Input/Q Output

-T Input/Q NOT Output

This gives automatic timing advance.

4 to 18 volts

Showing for Negative trigger going in.



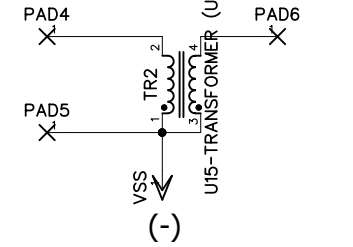
R4 & C3 SETS DWELL TIME
 $Time = 2.48 \times R \times C$
 Approx. C=Farads

Use to Select polarity Q or Q (not).

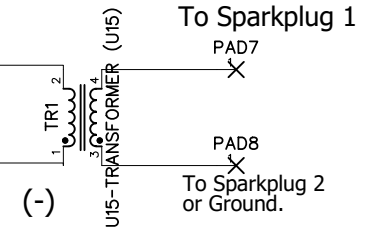


For R5 when using >7 volts use a 560 ohm resistor.

OPTION



OPTION



Ignition Using CD4047B

TITLE:		Simplest Sparky Overview	
Document Number:	VERY SIMPLE SPARKY		REV:
Date:	2021-07-26 10:17 PM	Sheet:	1/1