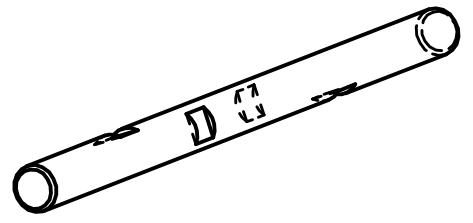
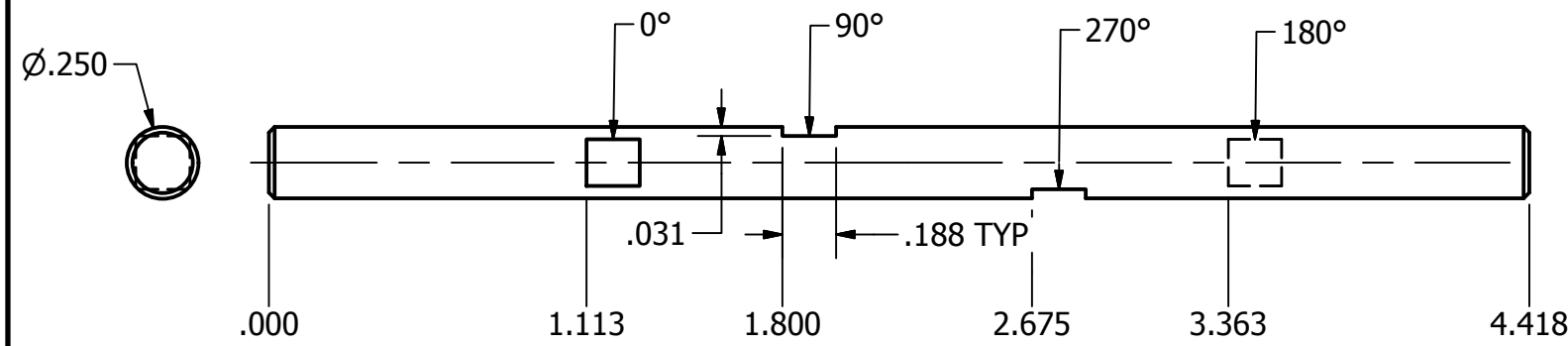
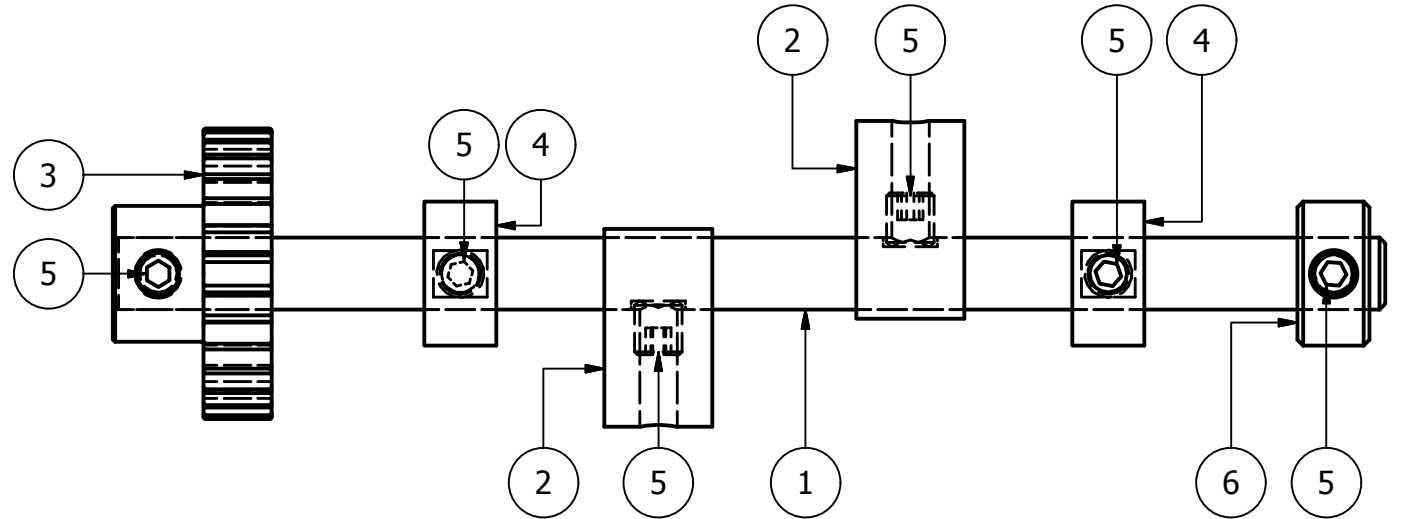
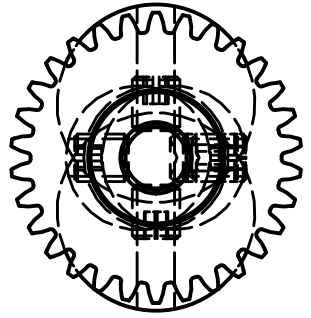


PARTS LIST			
ITEM	QTY	PART NUMBER	DESCRIPTION
1	1	Shaft, Piston Cam	MATERIA: STEEL
2	2	Cam, Piston	MATERIAL: 360 BRASS
3	1	Gear - Crank	MATERIAL: 360 BRASS
4	2	Cam, Valve	MATERIAL: 360 BRASS
5	6	0803COPS	10-32 X 1/4 CUP POINT SETSCREW
6	1	Collar, Shaft	MATERIAL: AL, BRASS, OR STEEL

**DRAWING FOR ASSEMBLY ILLUSTRATION ONLY.  
ASSEMBLE THESE PARTS INSIDE THE ENGINE BLOCK.**



DRAWN Rob	12/26/2021	Chirico Engine Works		
CHECKED		TITLE		
QA				
MFG				
APPROVED				
		SIZE B	DWG NO Assy - Cylinder Cam	REV
		SCALE	SHEET 1 OF 1	