

2

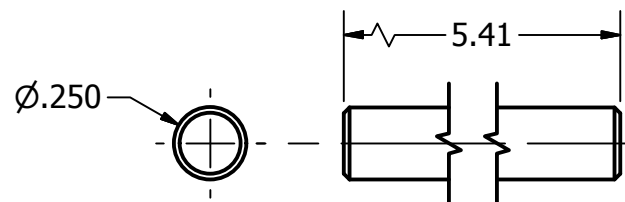
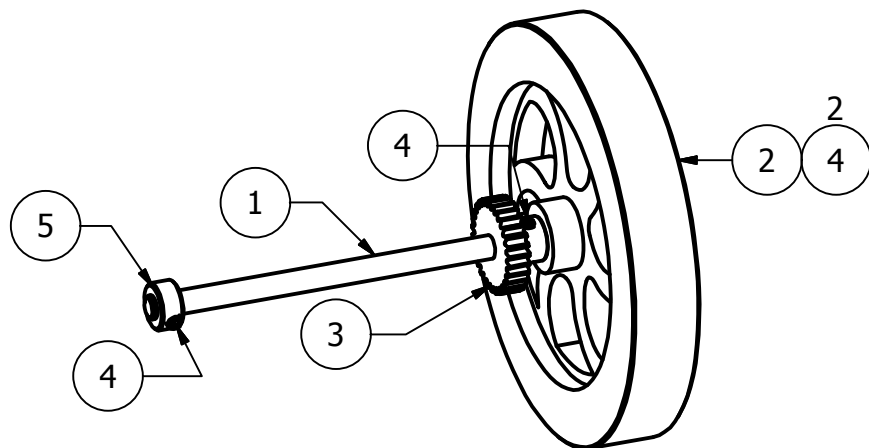


1

PARTS LIST

ITEM	QTY	PART NUMBER	DESCRIPTION
1	1	Shaft, Flywheel	MATERIAL: STEEL
2	1	Flywheel	MARTIN MODELS FW045-6S-C-RG-XXXX-CI
3	1	Gear - Crank	MATERIAL: 360 BRASS
4	4	0803COPS	10-32 X 1/4 CUP POINT SETSCREW
5	1	Collar, Shaft	MATERIAL: AL, BRASS, OR STEEL

DRAWING FOR ASSEMBLY ILLUSTRATION ONLY.
ASSEMBLE THESE PARTS INSIDE THE ENGINE BLOCK.



Shaft, Flywheel

DRAWN	12/26/2021	Chirico Engine Works	
Rob			
CHECKED			
QA			
MFG			
APPROVED		TITLE	
		FLYWHEEL SHAFT ASSEMBLY	
		SIZE	DWG NO
		A	Assy - Flywheel Shaft
		SCALE	REV

A

A

A

A

A

2



1

B

B

A

A



B

B