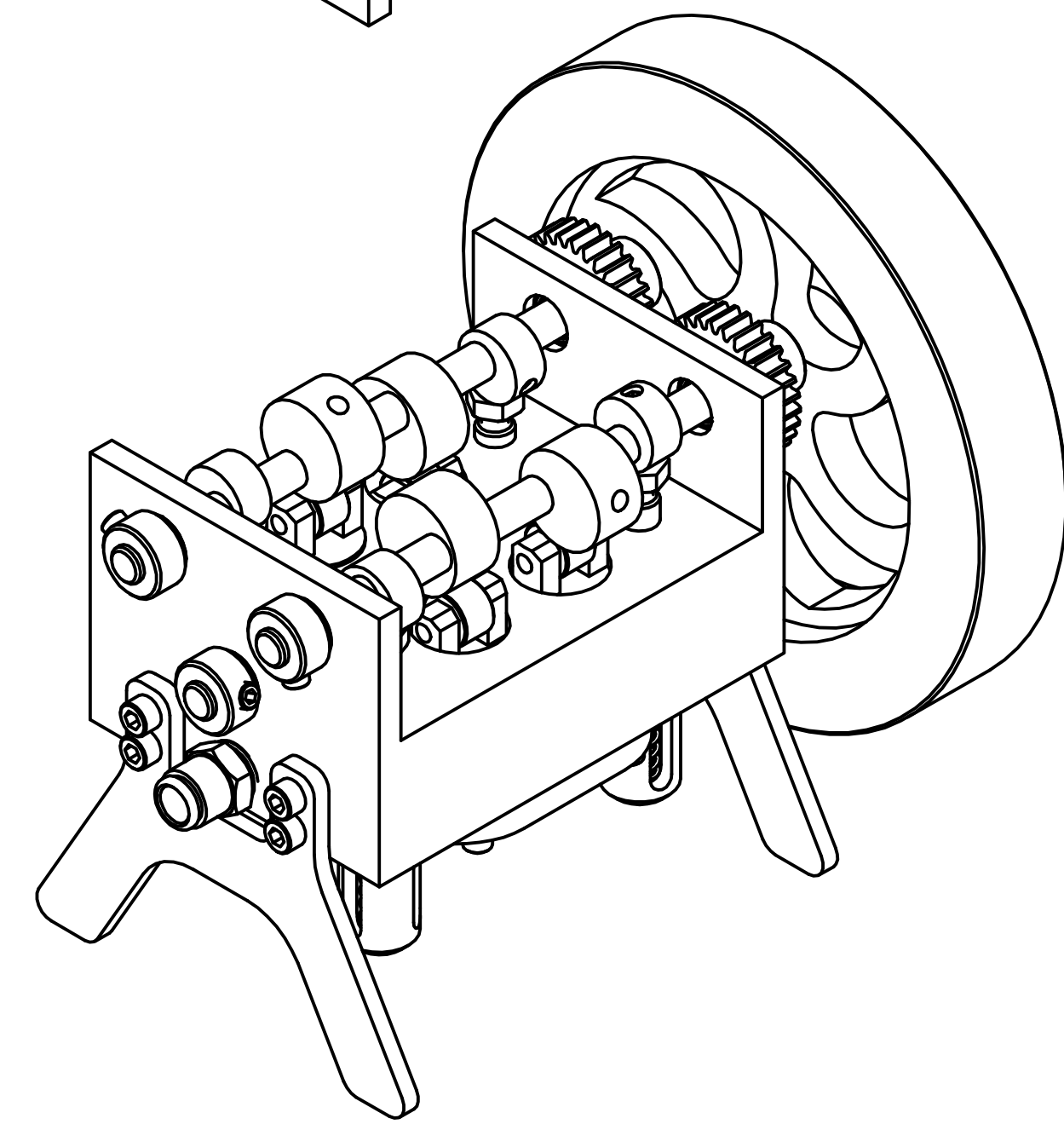
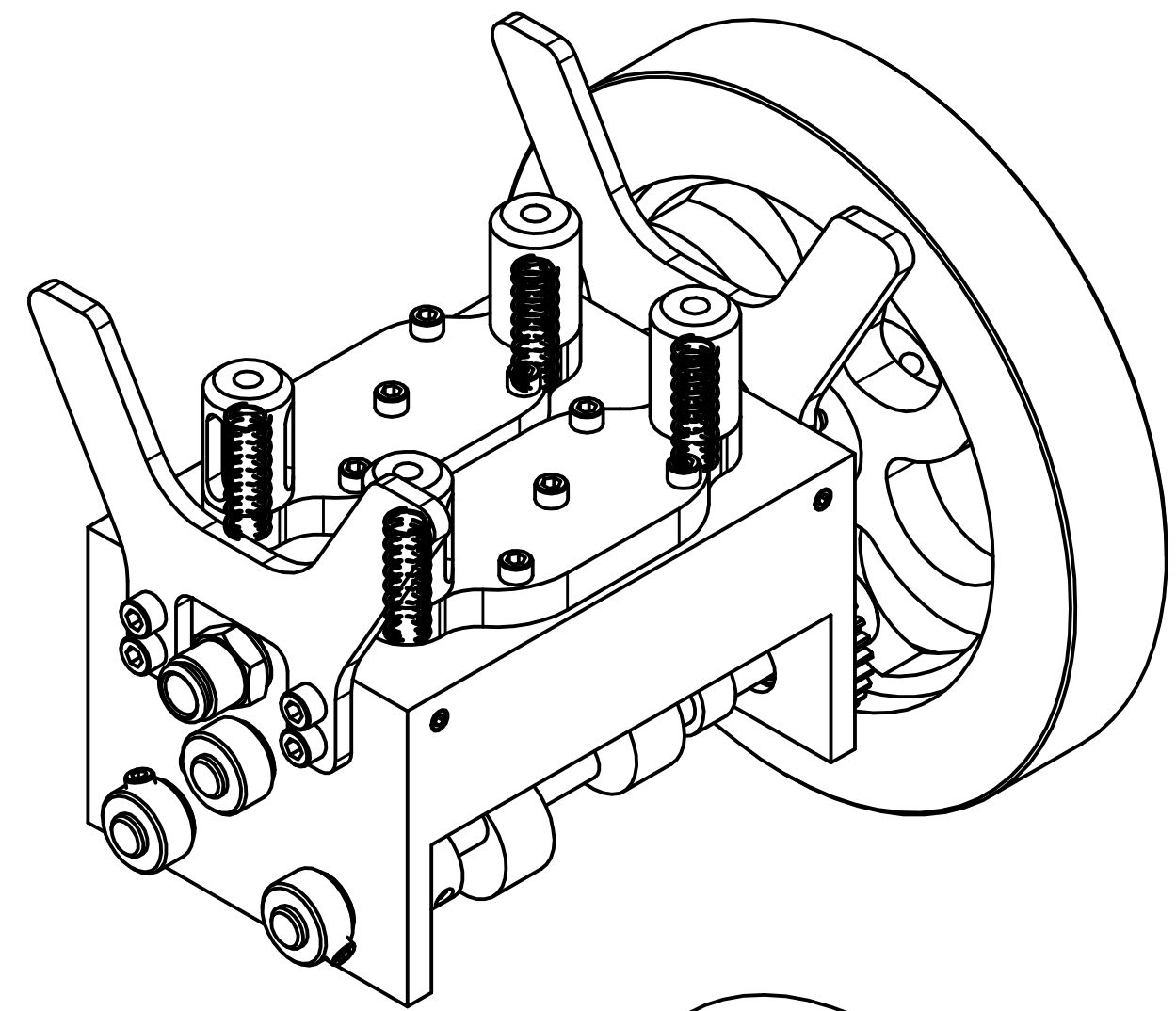
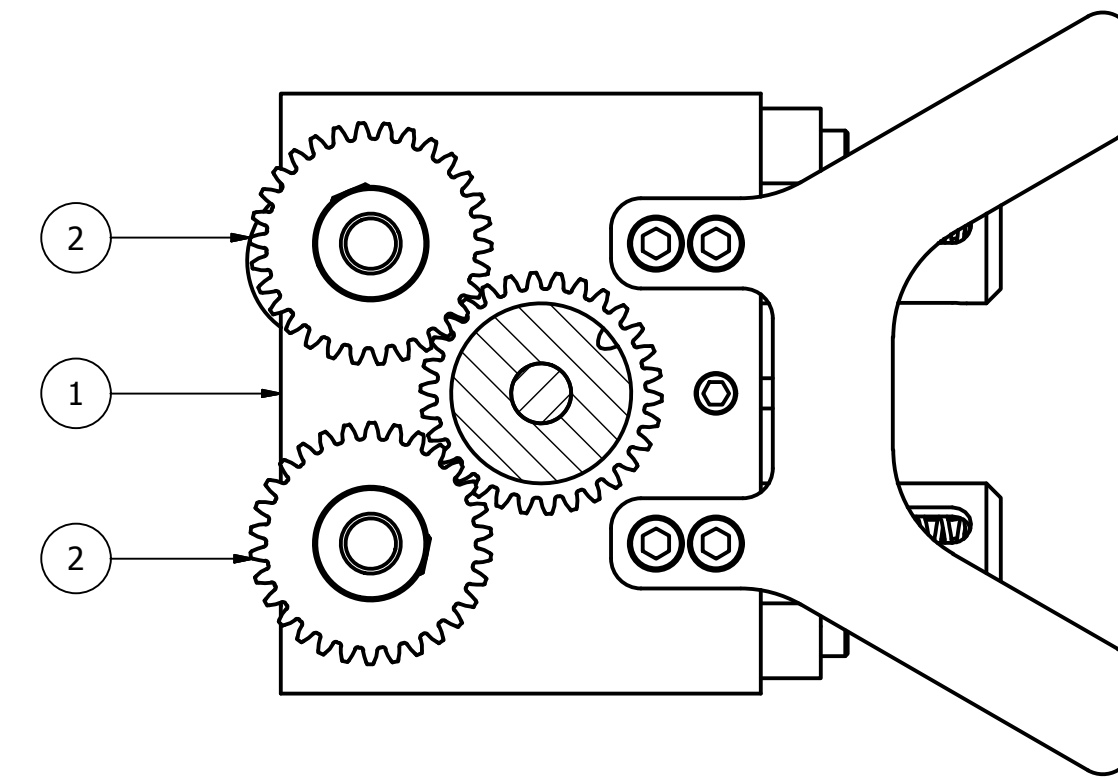
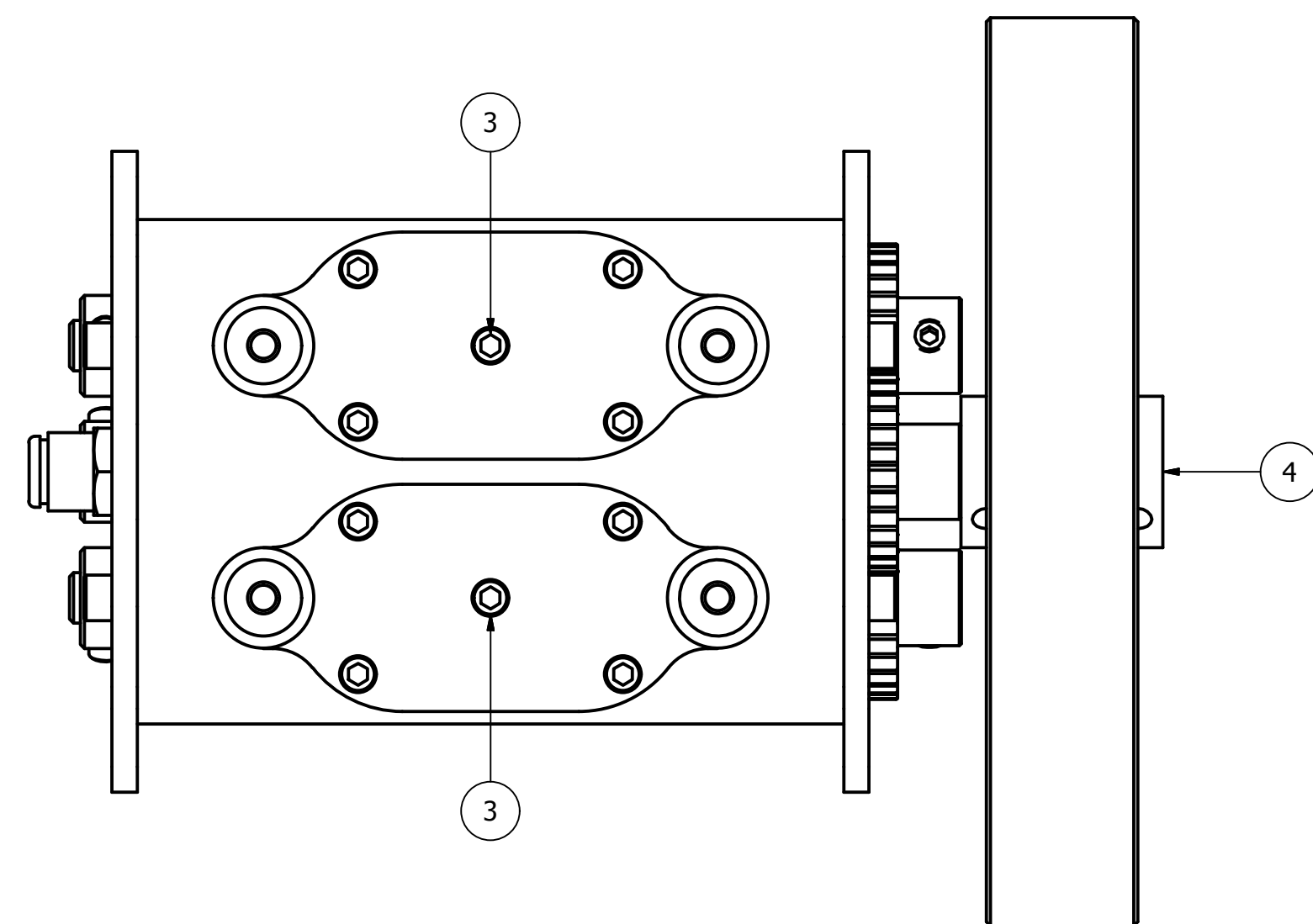
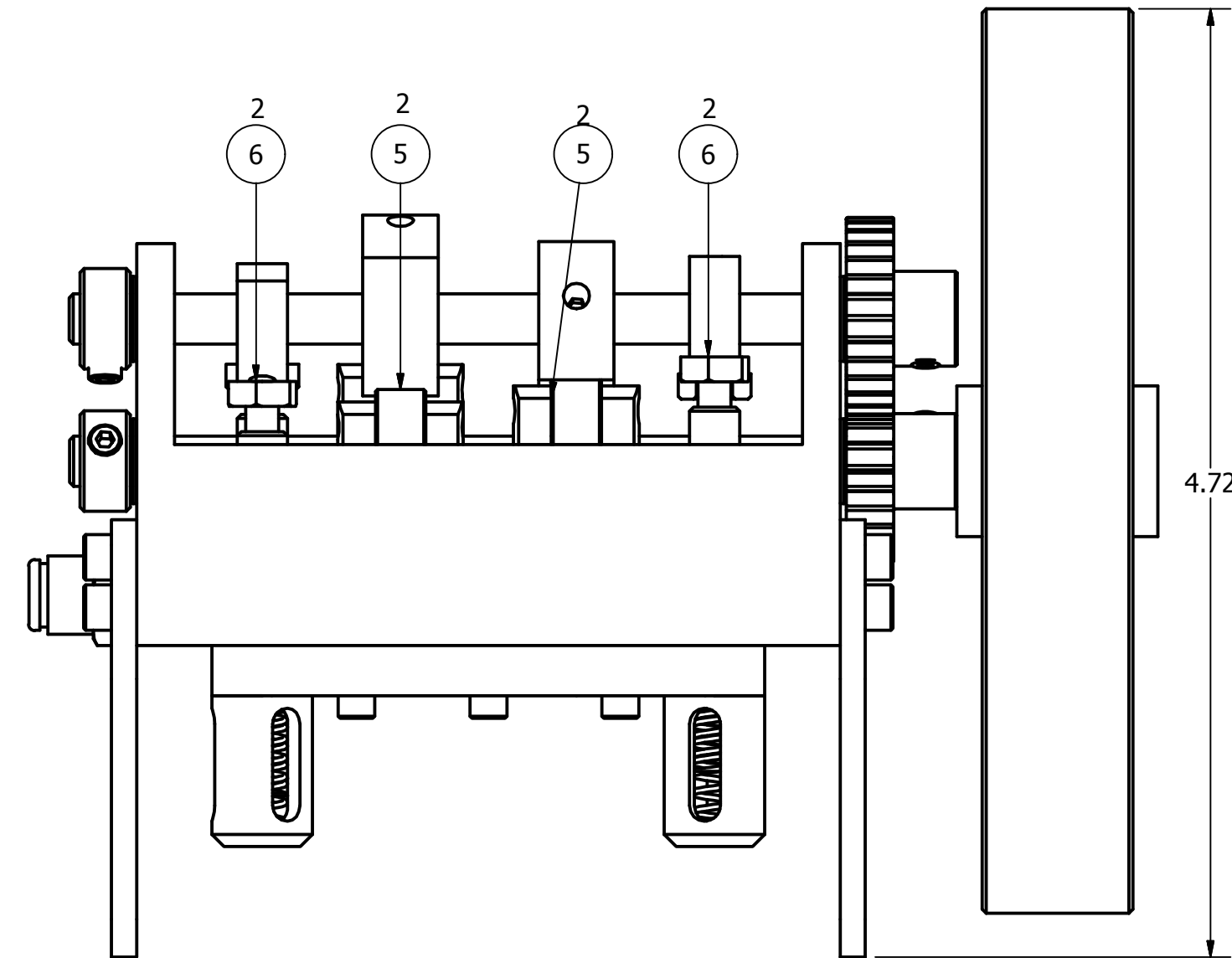
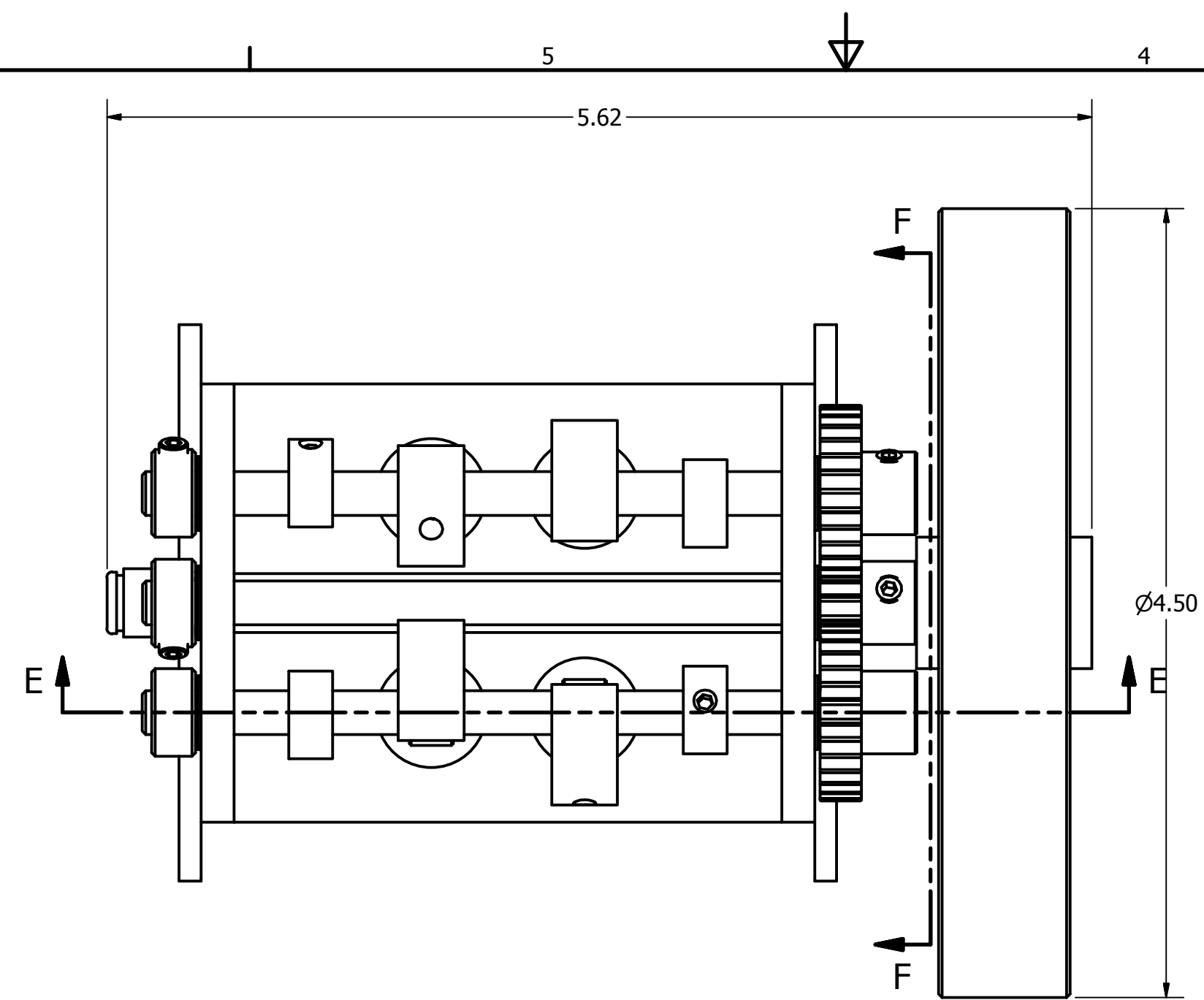


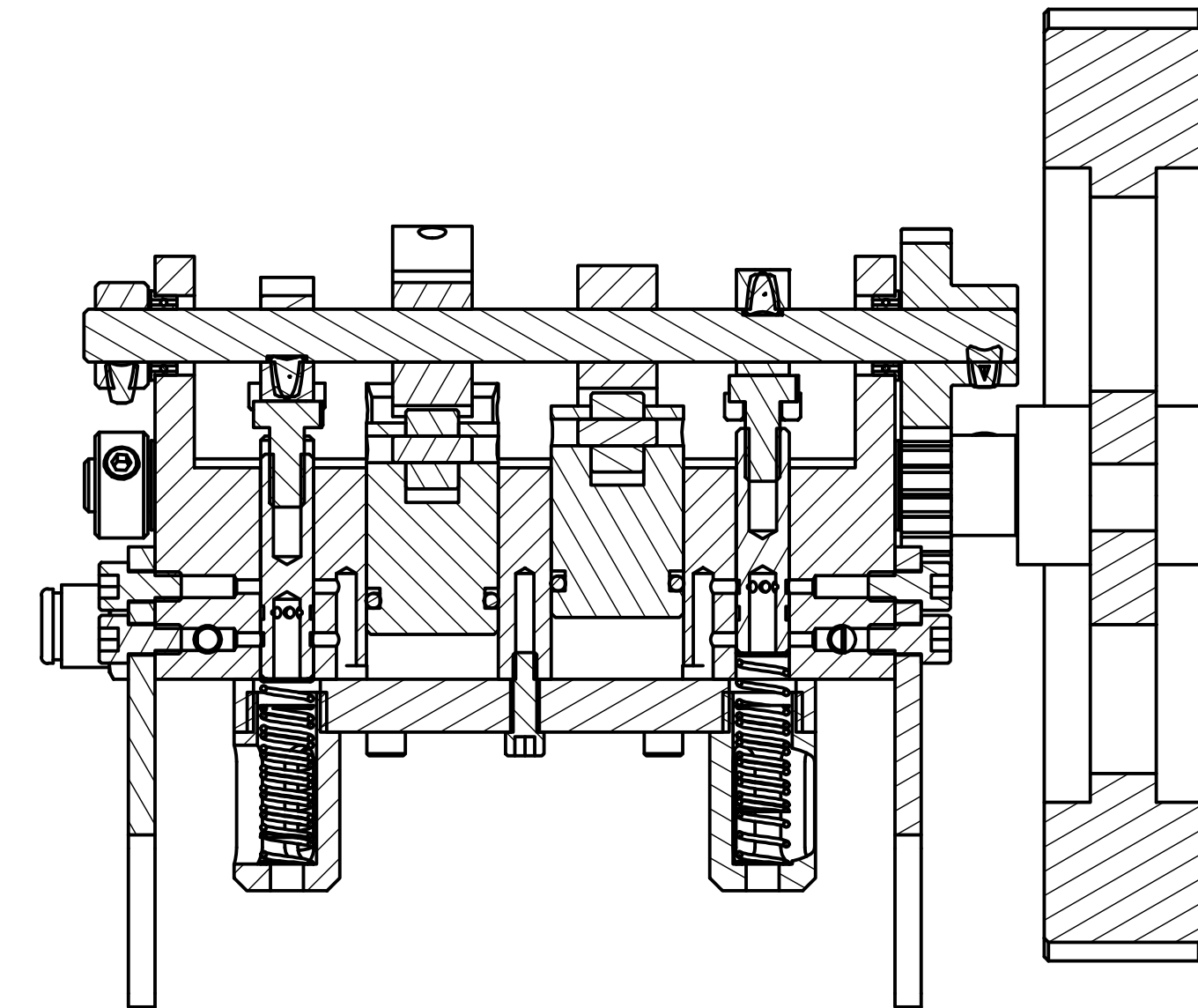
PARTS LIST			
ITEM	QTY	PART NUMBER	DESCRIPTION
1	1	Assy - Block	
2	2	Assy - Cylinder Cam	
3	2	Assy - Cylinder Head	
4	1	Assy - Flywheel Shaft	
5	4	Assy - Piston	
6	4	Assy, Valve	



ENGINE BASE/STAND TO SUPPORT THE ENGINE IS BASED UPON THE BUILDER'S PREFERENCES AND DISCRETION.



SECTION F-F



SECTION E-E

DRAWN	Rob	12/26/2021	Chirico Engine Works	
CHECKED			TITLE	
QA			FOUR SQUARE ENGINE	
MFG			SIZE	DWG NO
APPROVED			D	Assy - Four Square Engine
			SCALE	REV
				1