

2



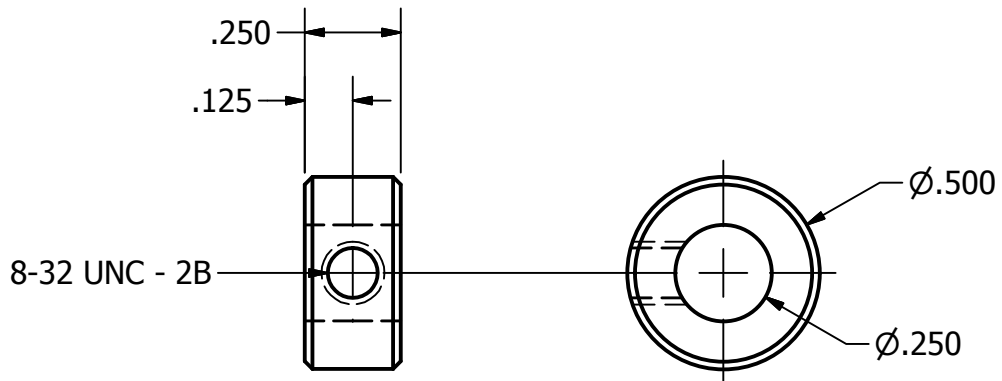
1

PARTS LIST

ITEM	QTY	PART NUMBER	DESCRIPTION
1	1	Collar, Shaft	MATERIAL: AL, BRASS, OR STEEL

B

B



A

A

DRAWN Rob	12/26/2021	Chirico Engine Works		
CHECKED				
QA		TITLE		
MFG		SHAFT STOP COLLAR		
APPROVED		SIZE A	DWG NO Collar, Shaft	REV
		SCALE		SHEET 1 OF 1

2



1