

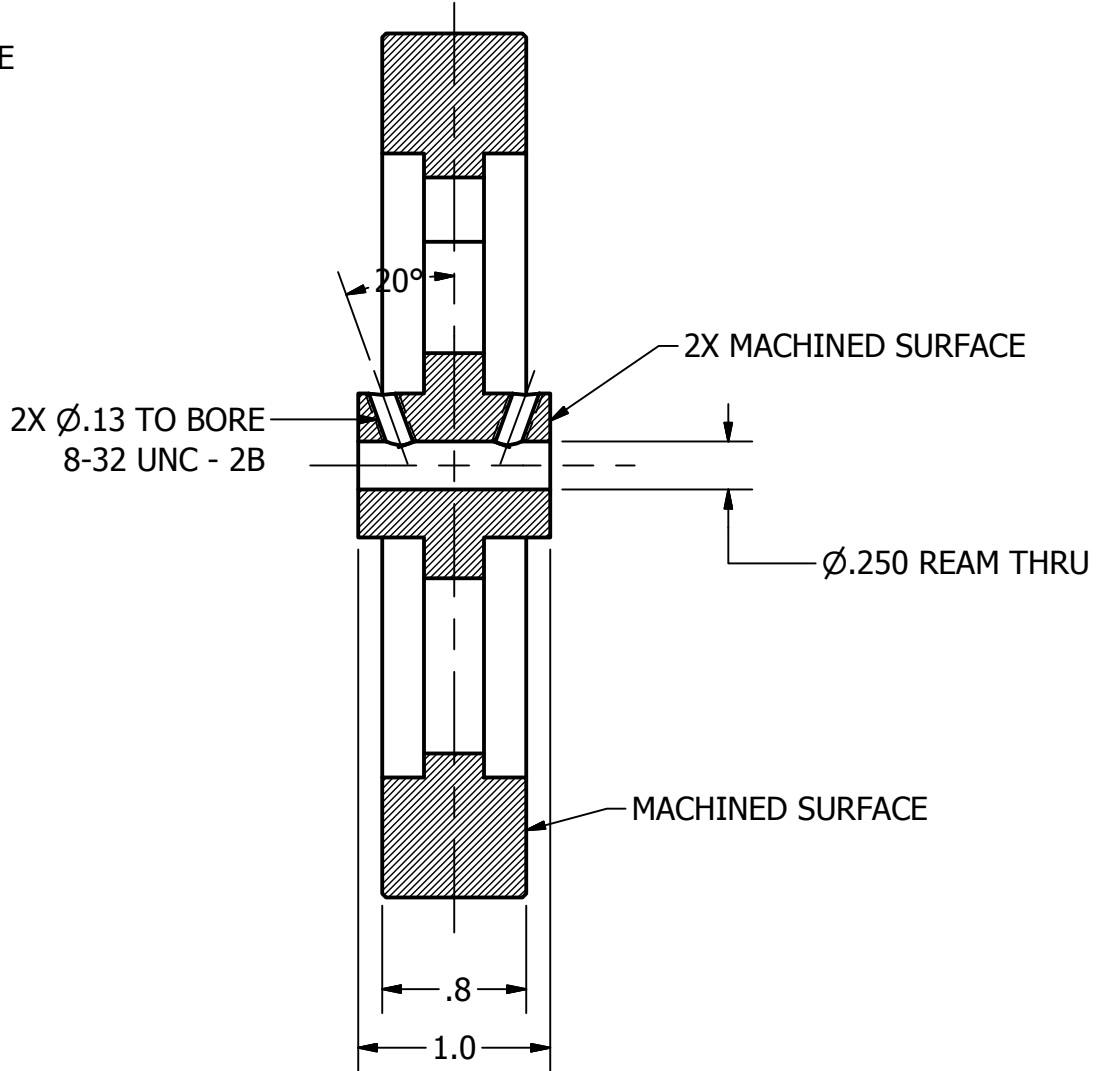
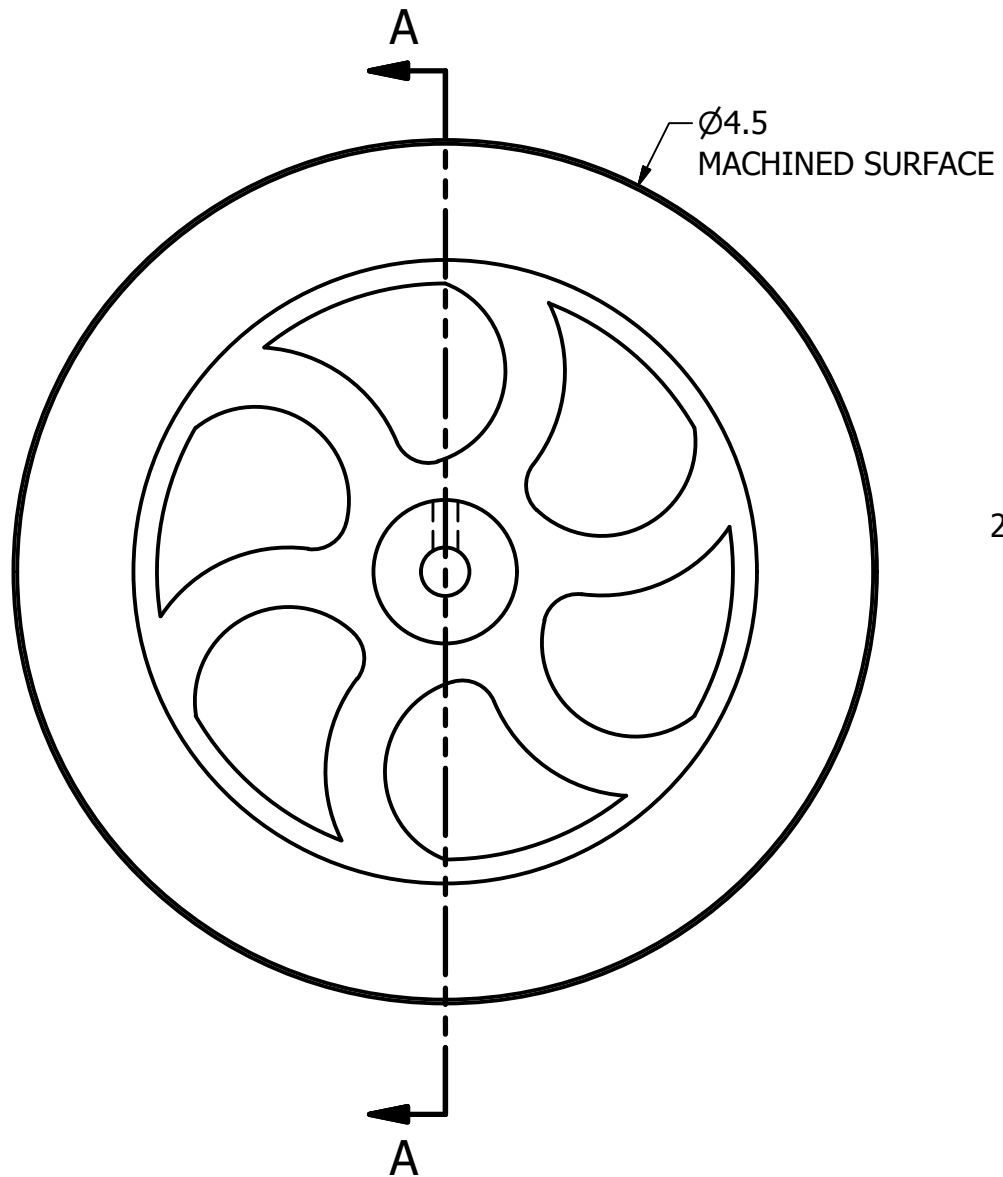
4

3

2

1

PARTS LIST			
ITEM	QTY	PART NUMBER	DESCRIPTION
1	1	Flywheel	MARTIN MODELS FW045-6S-C-RG-XXXX-CI



SECTION A-A

DRAWN Rob	11/7/2021	Chirico Engine Works		
CHECKED				
QA		TITLE		
MFG		FLYWHEEL, Martin Model & Pattern FW04-6S-C-RG-XXXX-CI		
APPROVED		SIZE B	DWG NO Flywheel	REV
		SCALE	SHEET 1 OF 1	

4

3

2

1