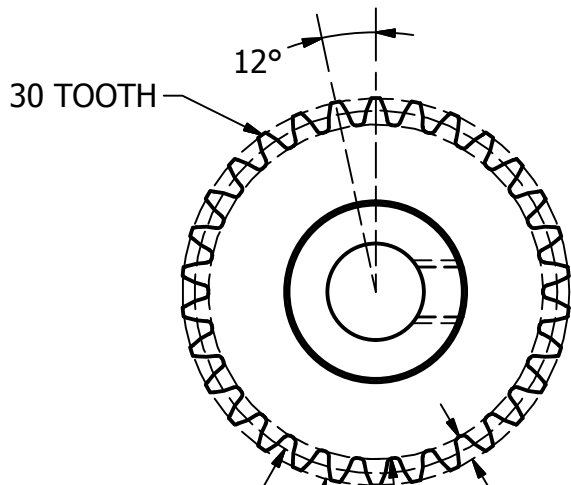
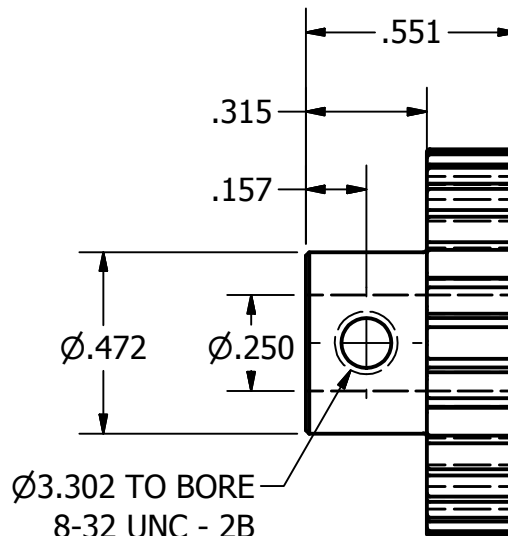


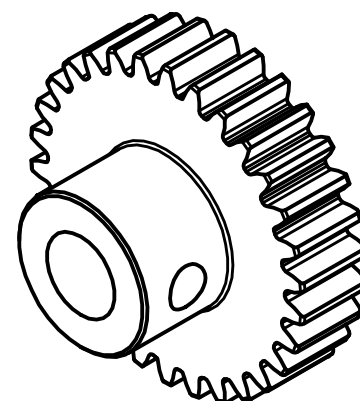
PARTS LIST			
ITEM	QTY	PART NUMBER	DESCRIPTION
1	1	Gear - Crank	MATERIAL: 360 BRASS



30 TOOTH
 12°
 Ø24.00 mm [.945 in] PITCH DIAMETER
 Ø25.60 mm [1.008 in] O.D.
 Ø22.15 mm [.872 in] ROOT DIA
 .068



Ø3.302 TO BORE
 8-32 UNC - 2B



DRAWN	11/7/2021	Chirico Engine Works	
Rob			
CHECKED			
QA			
MFG			
APPROVED		TITLE	
		GEAR	
		SIZE	DWG NO
		A	Gear - Crank
		SCALE	REV

TITLE		Chirico Engine Works	
GEAR		GEAR	
SIZE	DWG NO	REV	
A	Gear - Crank		
SCALE	SHEET 1 OF 1		