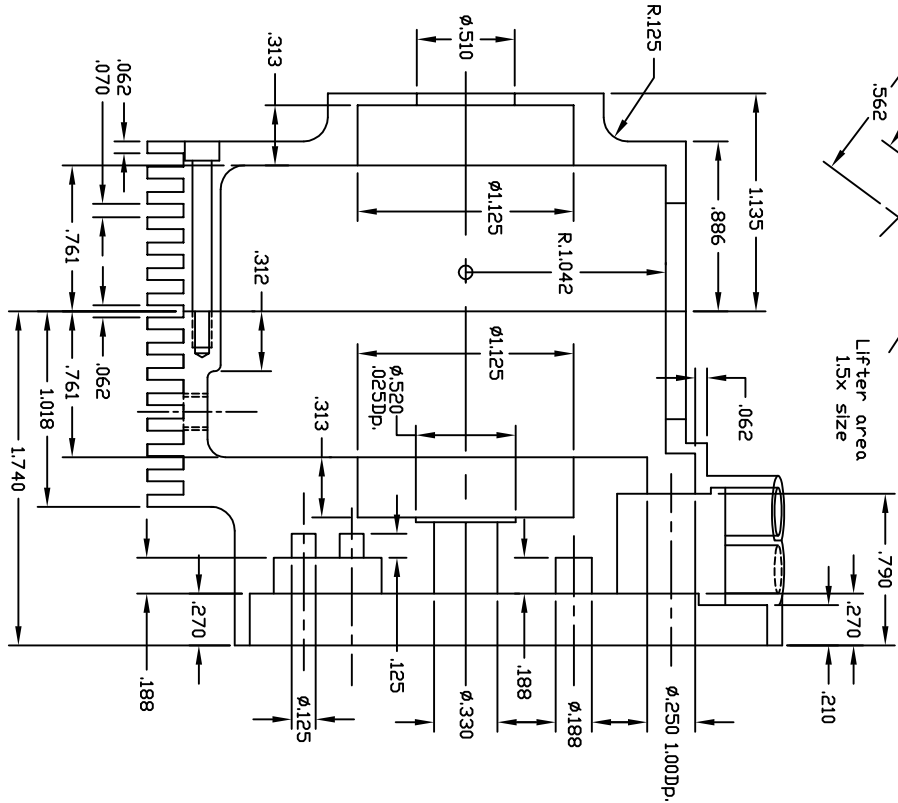
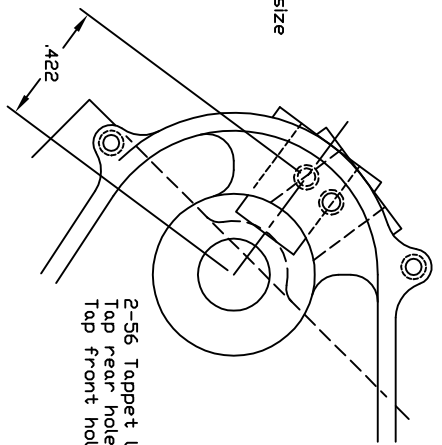
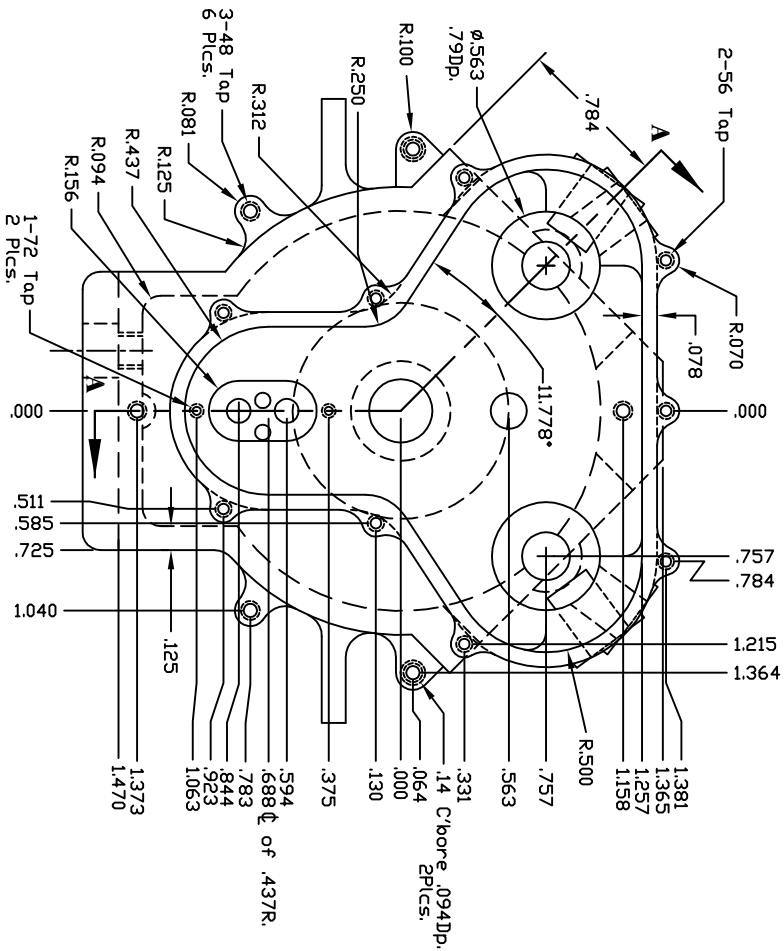


Views 1.5x size



Sect. A



CRANKCASE GEAR SIDE

Aluminum

NOTE:
Datum point is center of crank hole
Oil porting on separate sheet

DRAWN BY: GEORGE D. BRITNELL	SHT. 1
SCALE: FULL	
DATE: NOV. 11, 2009	
90 Deg. V Twin	