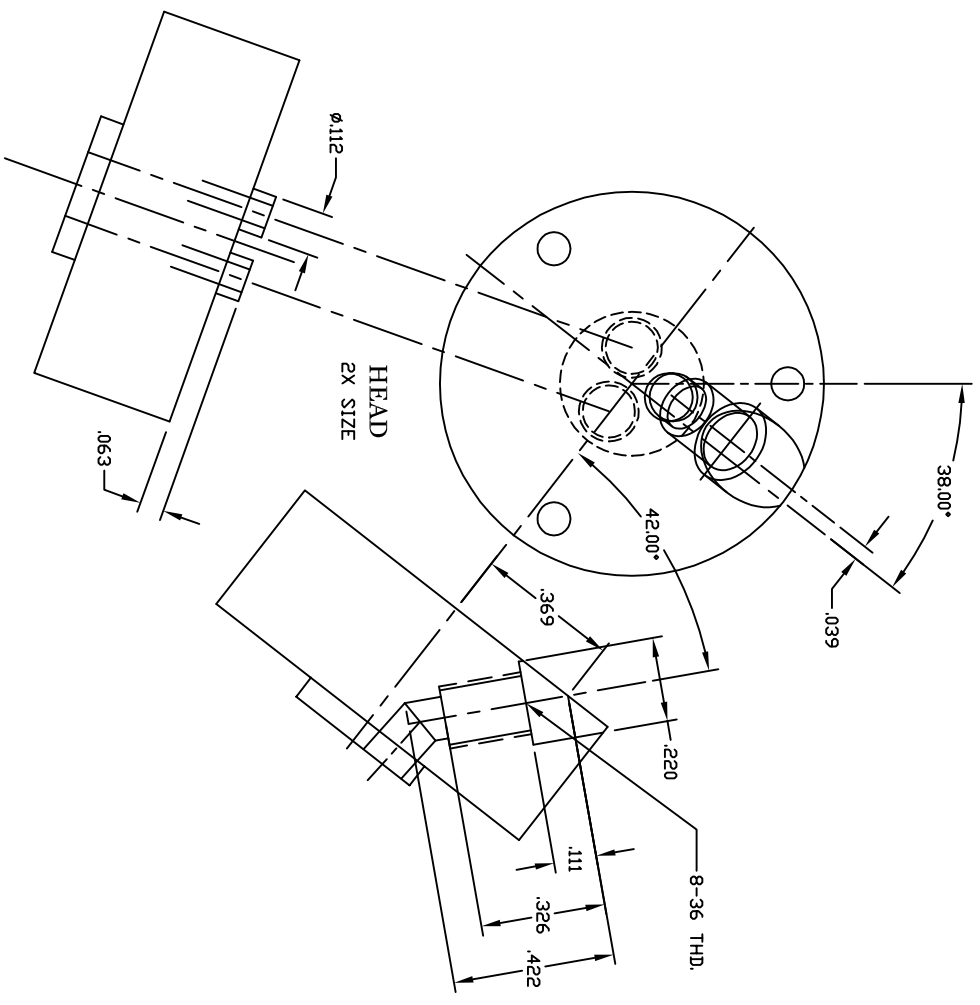
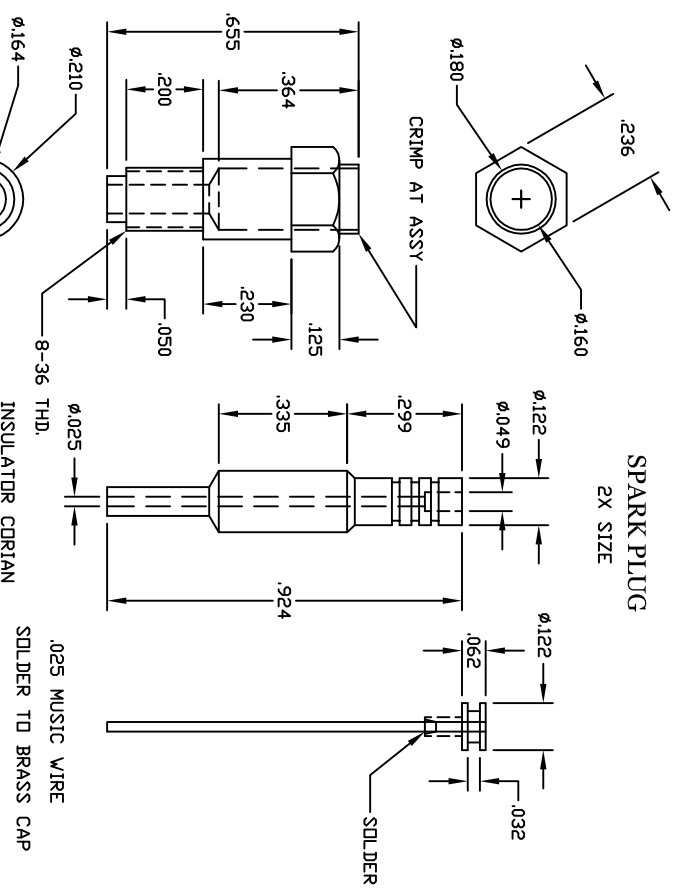


SPARK PLUG
2X SIZE



AIR COOLED VERSION

REVISIONS BY GEORGE D. BRITNELL

TINY HIT AND MISS