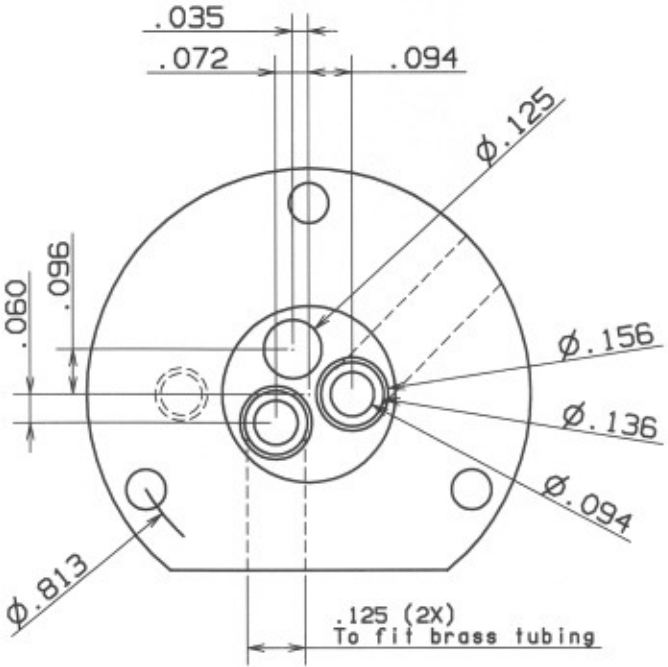
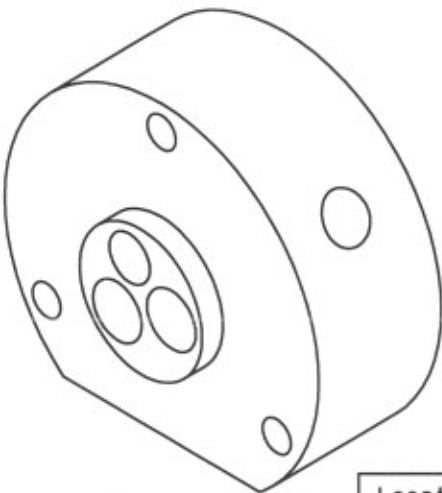
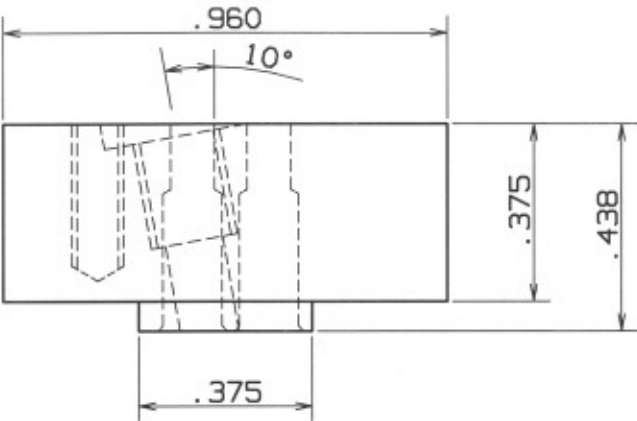
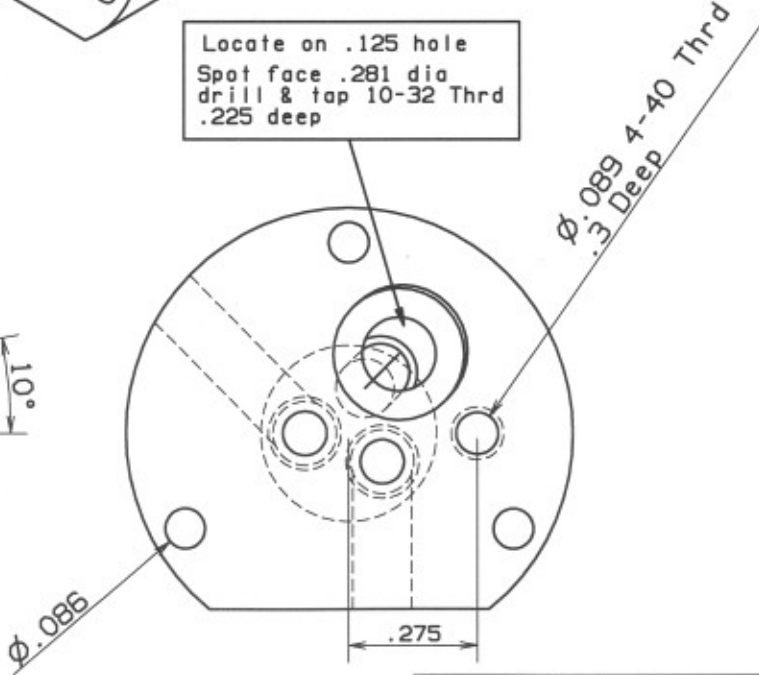
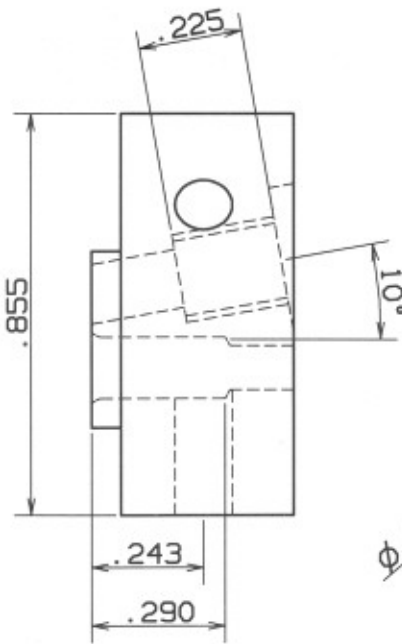


Brass



Locate on .125 hole
 Spot face .281 dia
 drill & tap 10-32 Thrd
 .225 deep



Lakeshore
 Machine & Repair
 8677 Paradise Beach Rd.
 Brainerd, TN 37401

This print is not for sale. It may be distributed freely for any noncommercial use.	DRAWN	A Tougas	DATE	02/20/2010	CMS NAME	Head
	CHECKED				SIZE	CMS NO.
	DESIGN				SCALE	None
					SHEET	9 of
					REV	B