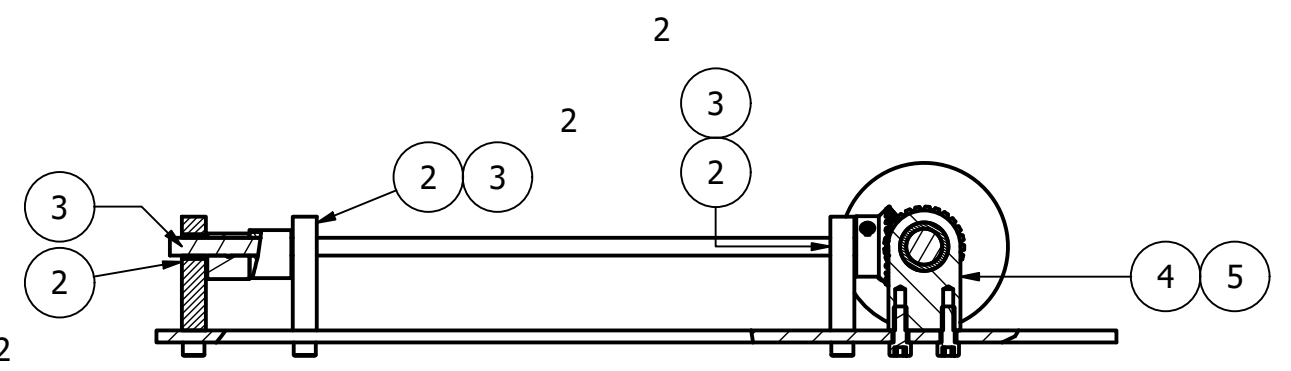
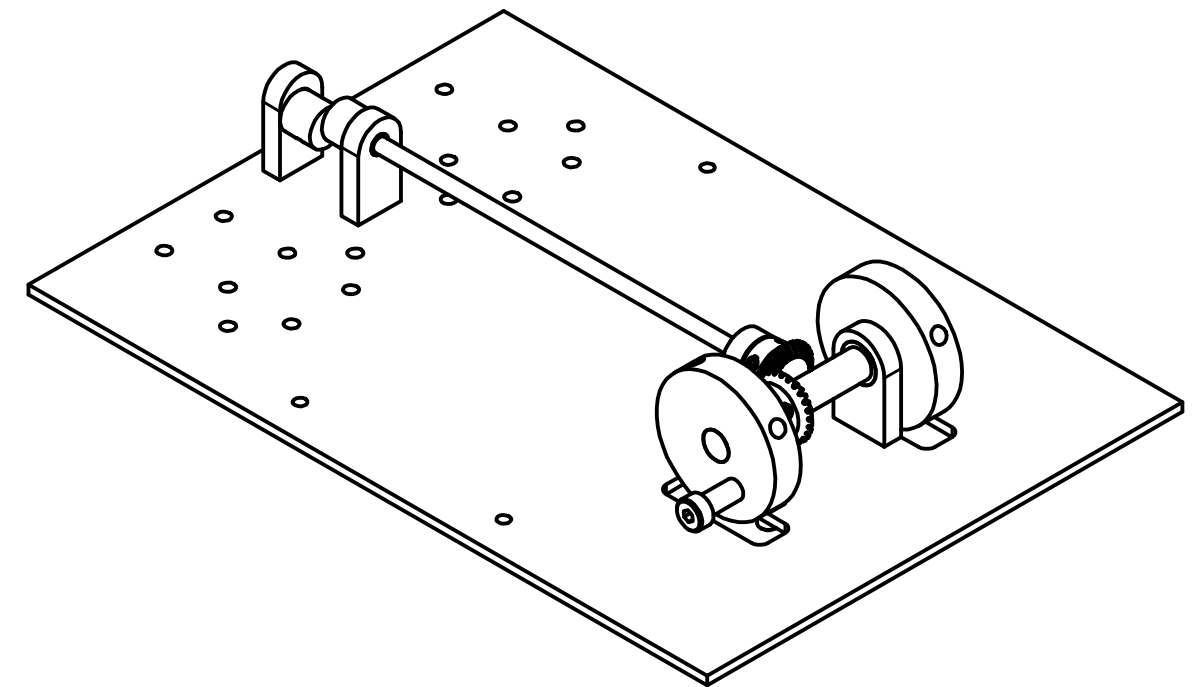
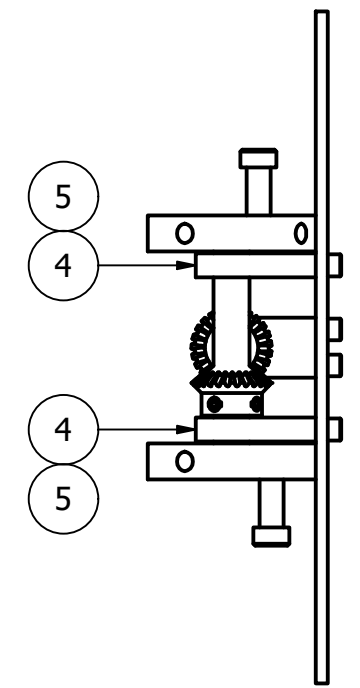
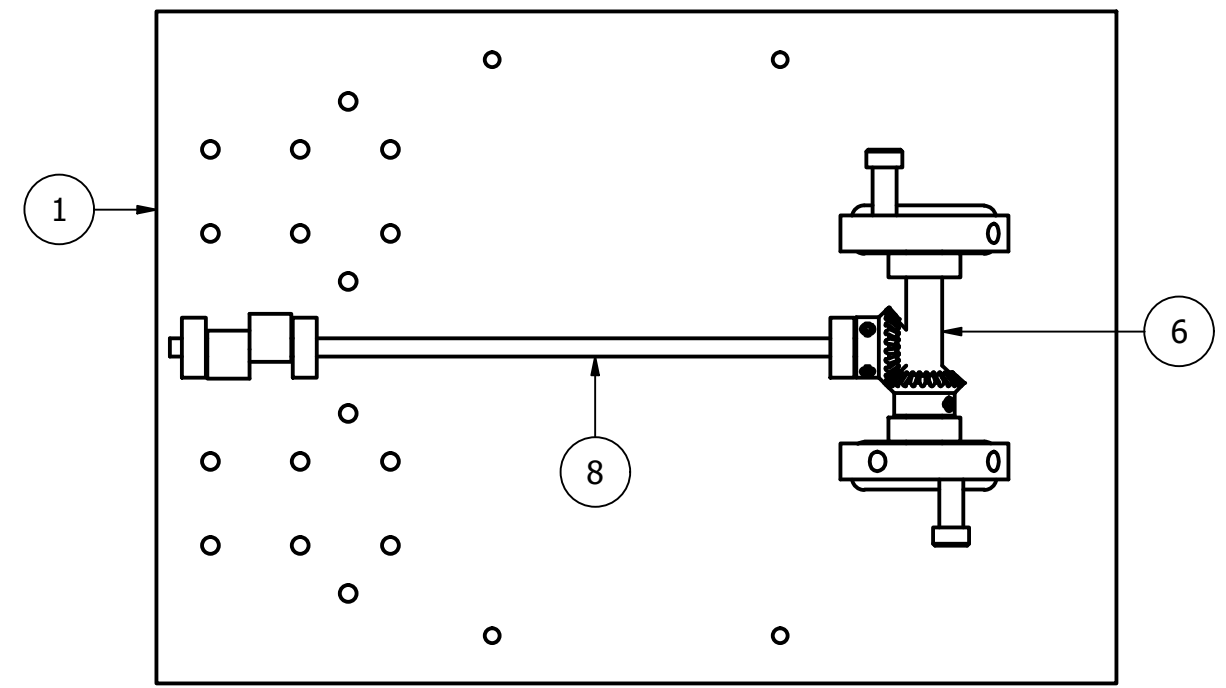


PARTS LIST			
ITEM	QTY	PART NUMBER	DESCRIPTION
1	1	Base Plate	1/8" THICK 6061 AL
2	3	Bearing Block, Cam Shaft	MATERIAL: 6061 AL
3	3	Bearing, Sleeve, .188 ID x .251 OD x .25 THK	
4	2	Bearing Block, Crank Shaft	MATERIAL: 6061 AL
5	2	Bearing, Sleeve, .375 ID x .502 OD x .25 THK	
6	1	Assy - Crankshaft	
8	1	Assy - Camshaft	
9	10	0606SHCS	#6-32 X 3/8" LG SHCS



DRAWN Rob	7/10/2022	Chirico Engine Works		
CHECKED		TITLE		
QA		BASE PLATE ASSEMBLY		
MFG		SIZE B	DWG NO Assy - Base	REV
APPROVED		SCALE	SHEET 1 OF 1	