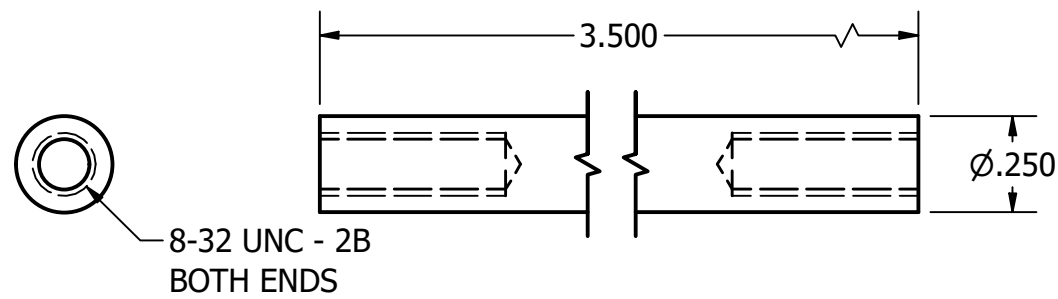
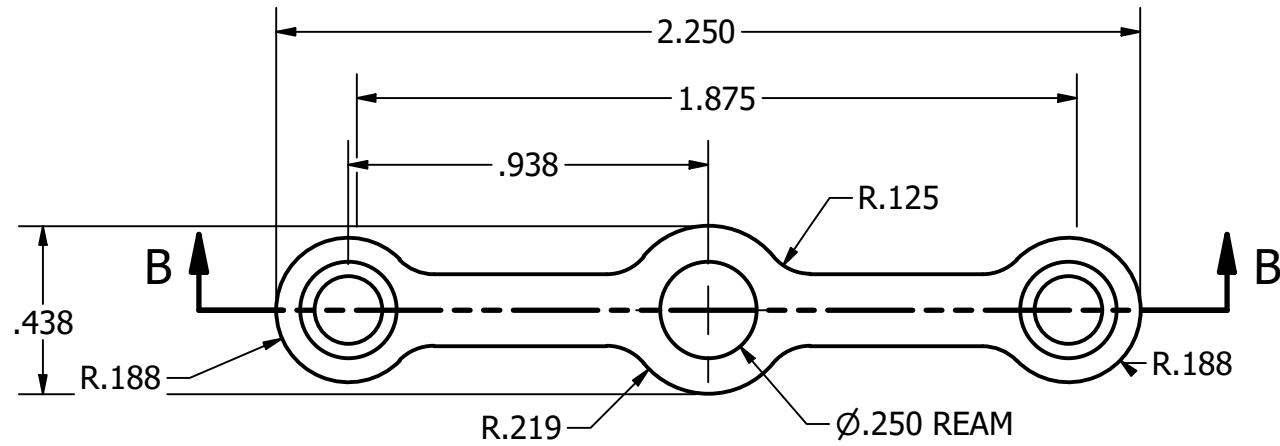


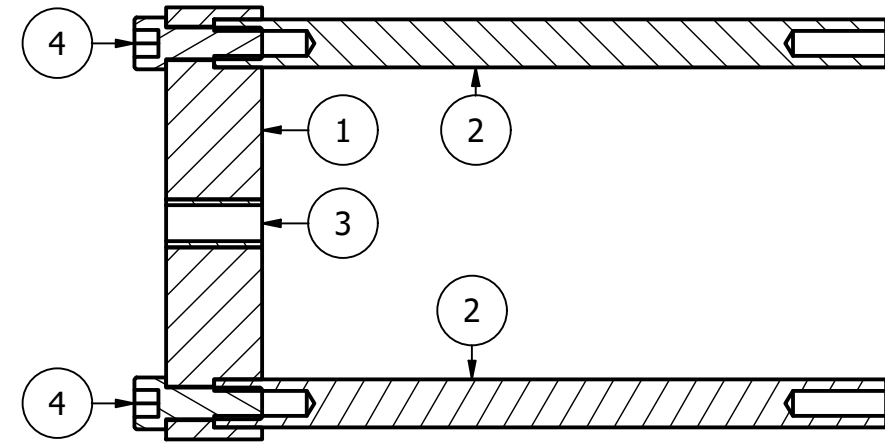
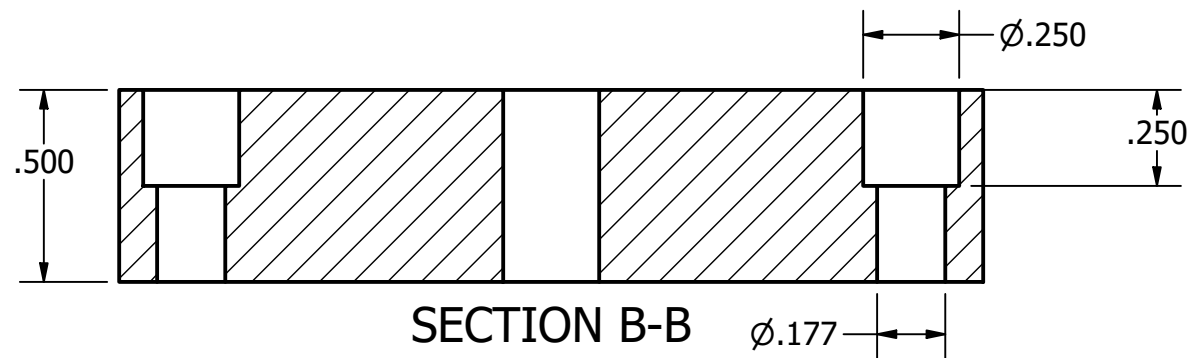
PARTS LIST			
ITEM	QTY	PART NUMBER	DESCRIPTION
1	1	Cross Slide 01	MATERIAL: 6061 AL
2	2	Cross Slide 02	MATERIAL: CRS
3	1	Bearing, Sleeve, .188 ID x .251 OD x .50 THK	
4	2	0808SHCS	#8-32 X 1/2" LG SHCS



Cross Slide 02



SECTION B-B
Cross Slide 01



SECTION A-A

DRAWN Rob	4/9/2022	Chirico Engine Works		
CHECKED		TITLE		
QA		CROSS SLIDE ASSEMBLY		
MFG		SIZE B	DWG NO Assy - Cross Slide	REV
APPROVED		SCALE	SHEET 1 OF 1	