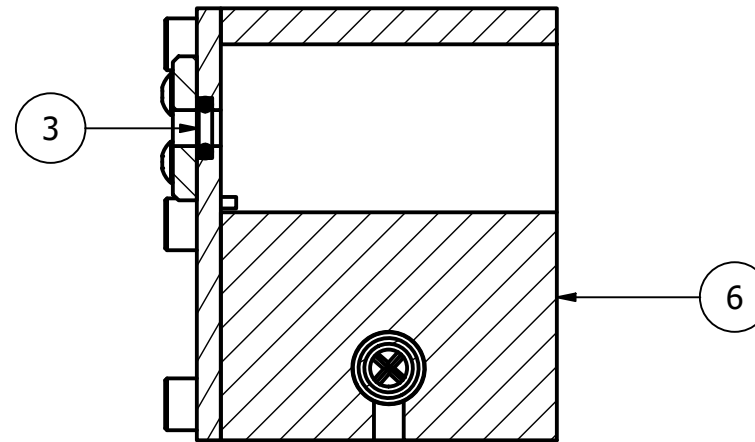
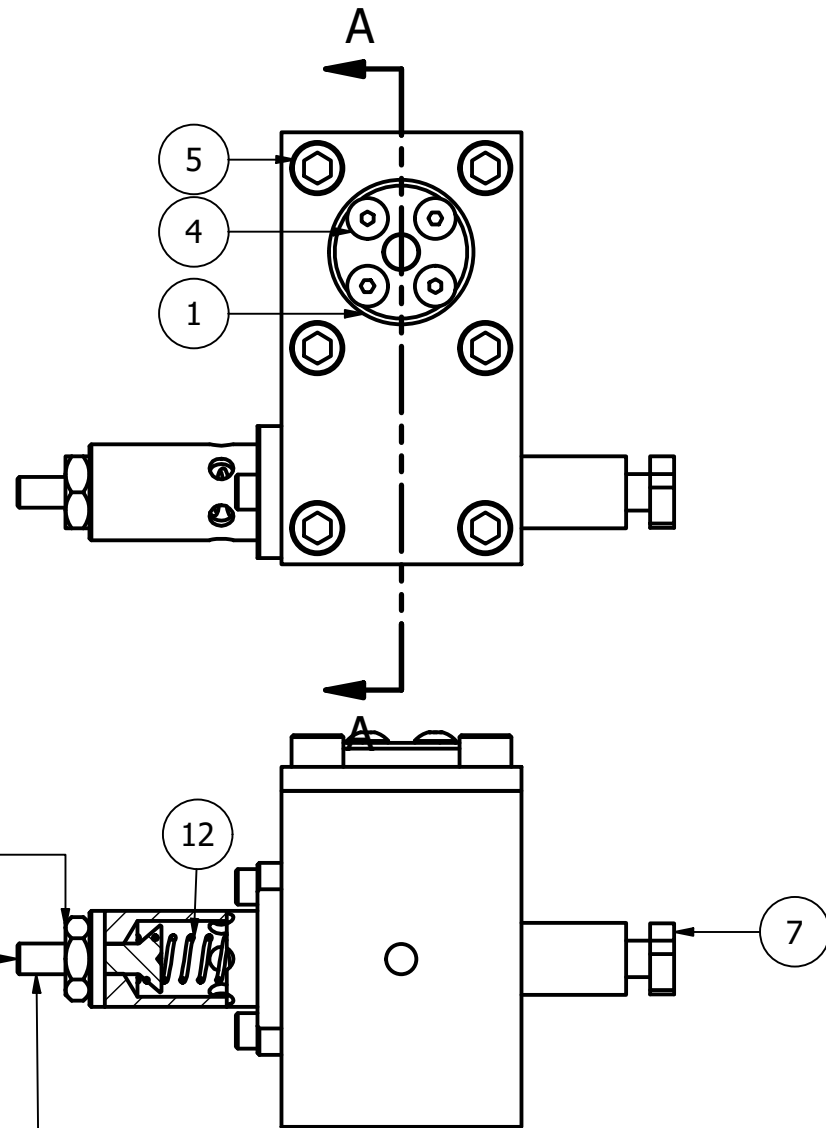
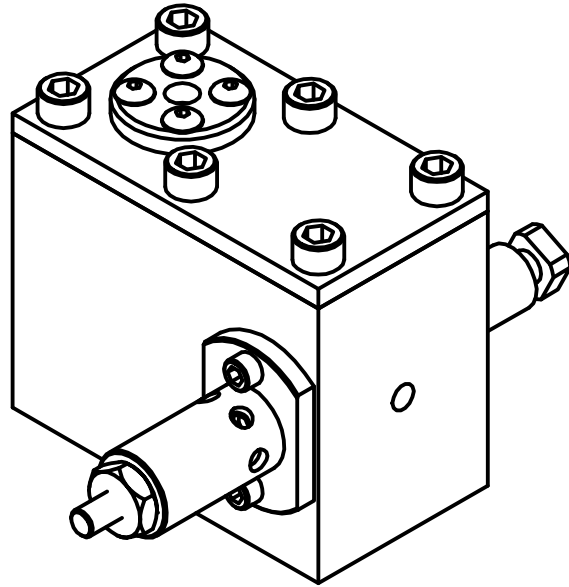
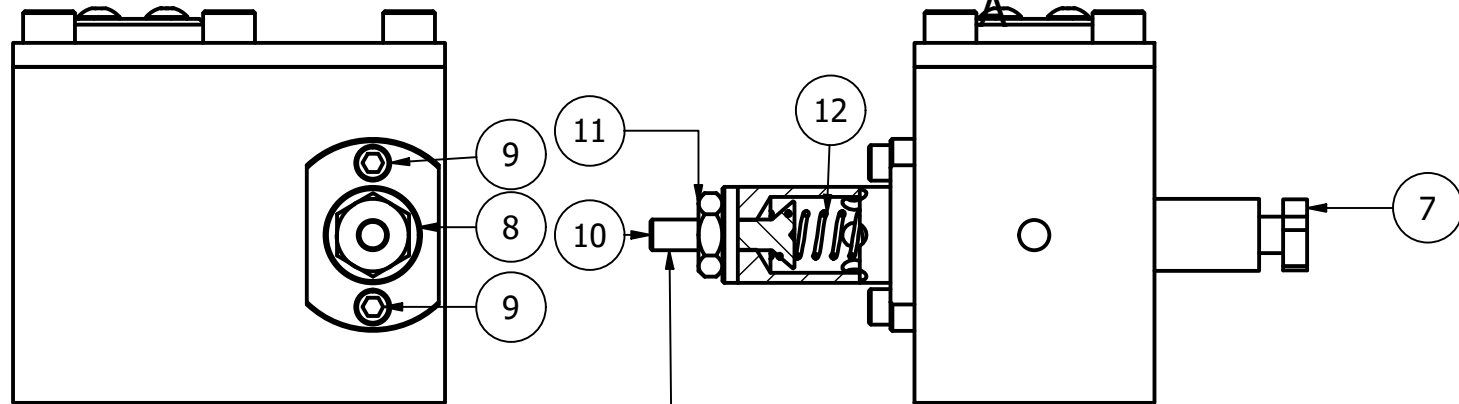


PARTS LIST			
ITEM	QTY	PART NUMBER	DESCRIPTION
1	1	Cylinder Head Seal Cap	Material: 360 Brass
2	1	Cylinder Head	MATERIAL: 360 BRASS
3	1	008 O-Ring	
4	4	0404BHCS	#4-40 X 1/4" LG BUTTON HEAD CAP SCREW
5	6	0806SHCS	#8-32 X 1/2" LG SHCS
6	1	Cylinder 02	MATERIAL: 6061 AL
7	1	Assy - Valve	
8	1	Valve Cage	Material: 6061 AL
9	2	#4-40 x 3/8" LG SHCS	
10	1	1112FHPS	#10-32 X 3/4" LG FLAT HEAD SCREW
11	1	1100NHS	10-32 HEX NUT
12	1	Spring, Compression, TBD	



SECTION A-A



ADJUST BOLT FOR
SPRING COMPRESSION

DRAWN Rob	4/9/2022	Chirico Engine Works	
CHECKED		TITLE	
QA		CYLINDER 02 ASSEMBLY	
MFG		SIZE B	DWG NO Assy - Cylinder 02
APPROVED		SCALE	REV
		SHEET 1 OF 1	