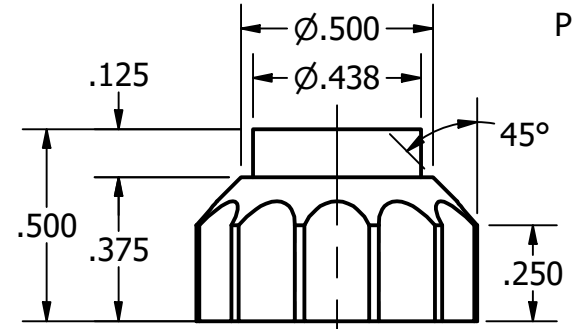
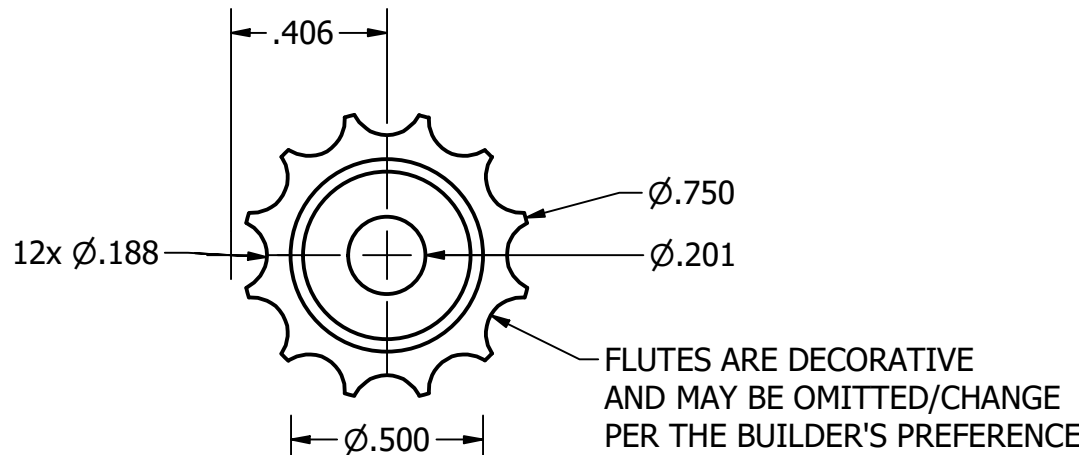
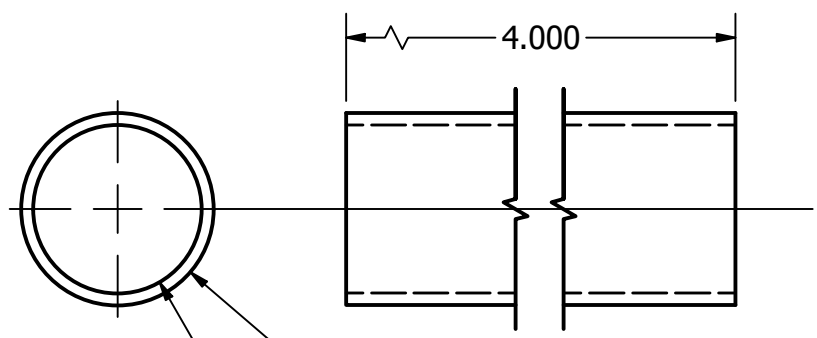


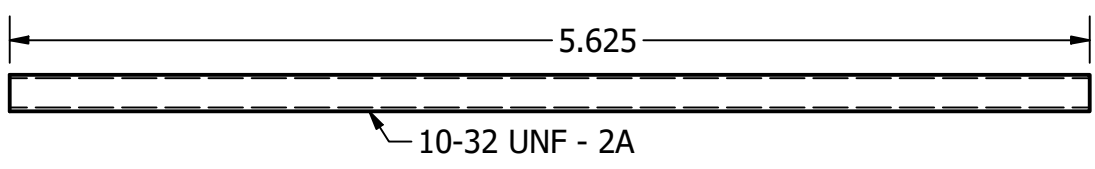
PARTS LIST			
ITEM	QTY	PART NUMBER	DESCRIPTION
1	1	Stand - 01	MATERIAL: 360 BRASS (Ø.500 OD X 1/32 WALL TUBE)
2	2	Stand - 02	MATERIAL: BRASS
3	1	Stand Allthread	#10-32 ALLTHREAD



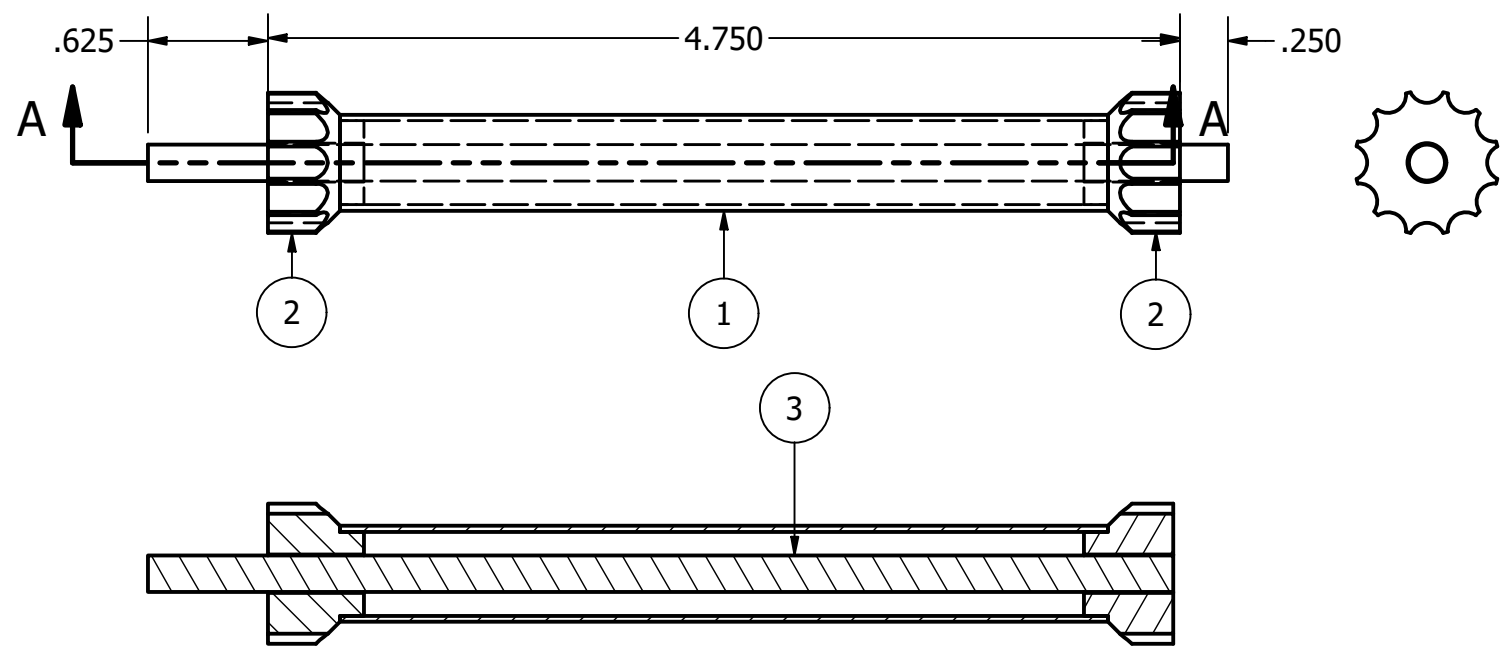
Stand - 02



Stand - 01



Stand Allthread



SECTION A-A

DRAWN Rob	4/3/2022	Chirico Engine Works		
CHECKED		TITLE		
QA		STAND ASSEMBLY		
MFG		SIZE B	DWG NO Assy - Stand	REV
APPROVED		SCALE	SHEET 1 OF 1	