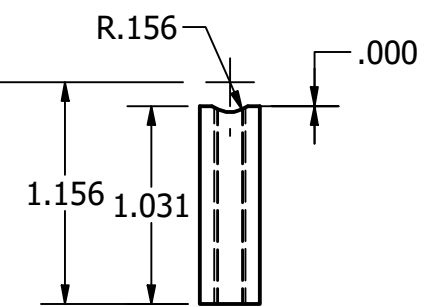
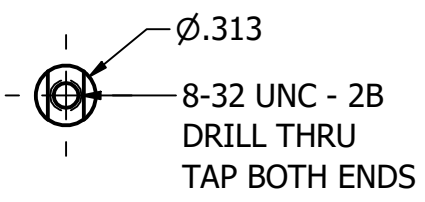
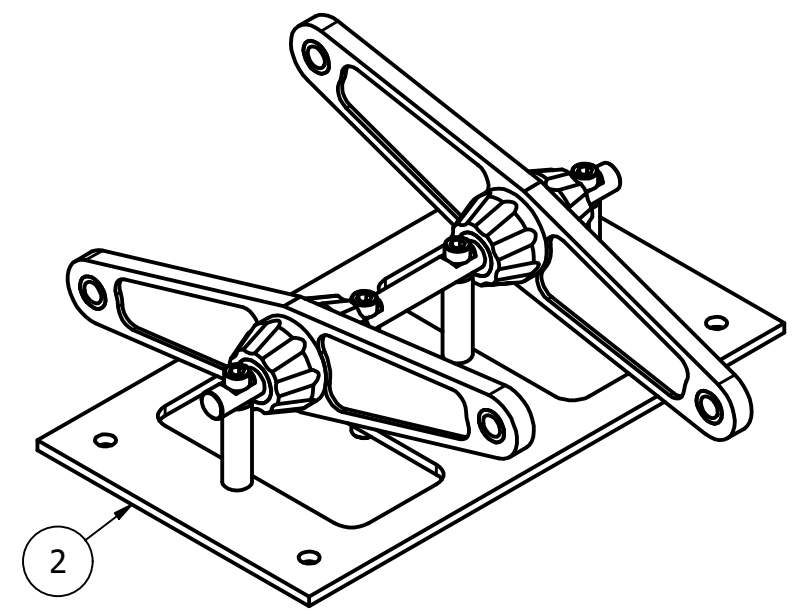
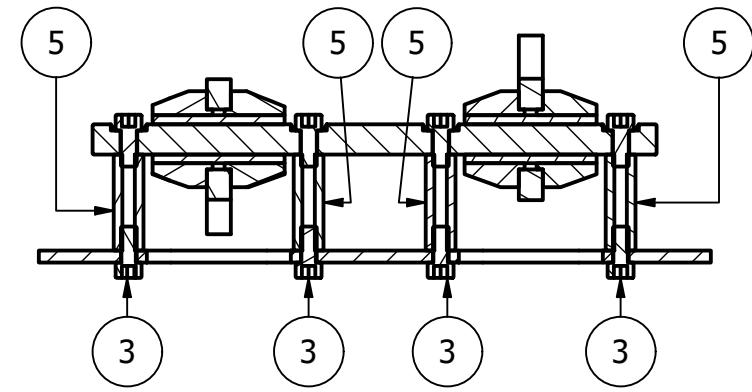
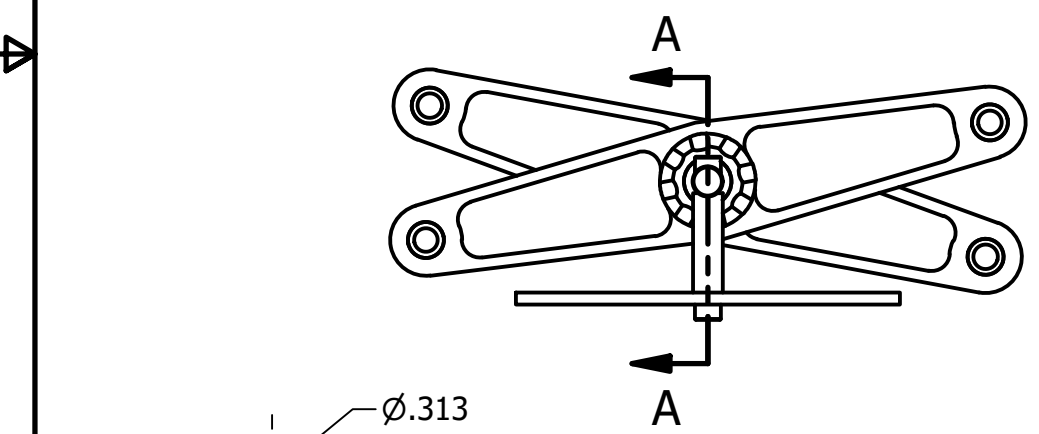


PARTS LIST			
ITEM	QTY	PART NUMBER	DESCRIPTION
1	2	Assy - Walking Beam	
2	1	Upper Plate	MATERIAL: 6061 AL, 1/8" THICK
3	8	0806SHCS	#8-32 X 1/2" LG SHCS
4	1	Beam Shaft, Main	MATERIAL: CRS, BRASS, OR SST
5	4	Bearing Block, Walking Bearm Main Bearing	MATERIAL: 6061 AL



Bearing Block, Walking Bearm Main Bearing

SECTION A-A

DRAWN Rob	6/19/2022	Chirico Engine Works		
CHECKED		TITLE		
QA		UPPER FRAME ASSMBLY		
MFG		SIZE B	DWG NO Assy - Upper Plate	REV
APPROVED		SCALE	SHEET 1 OF 1	