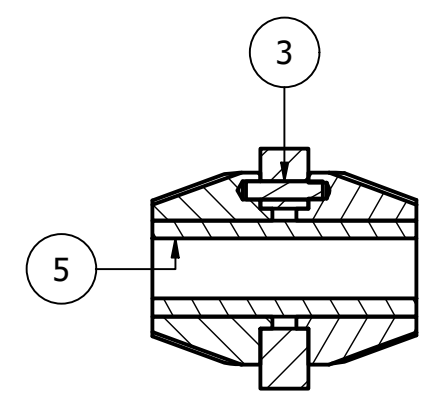
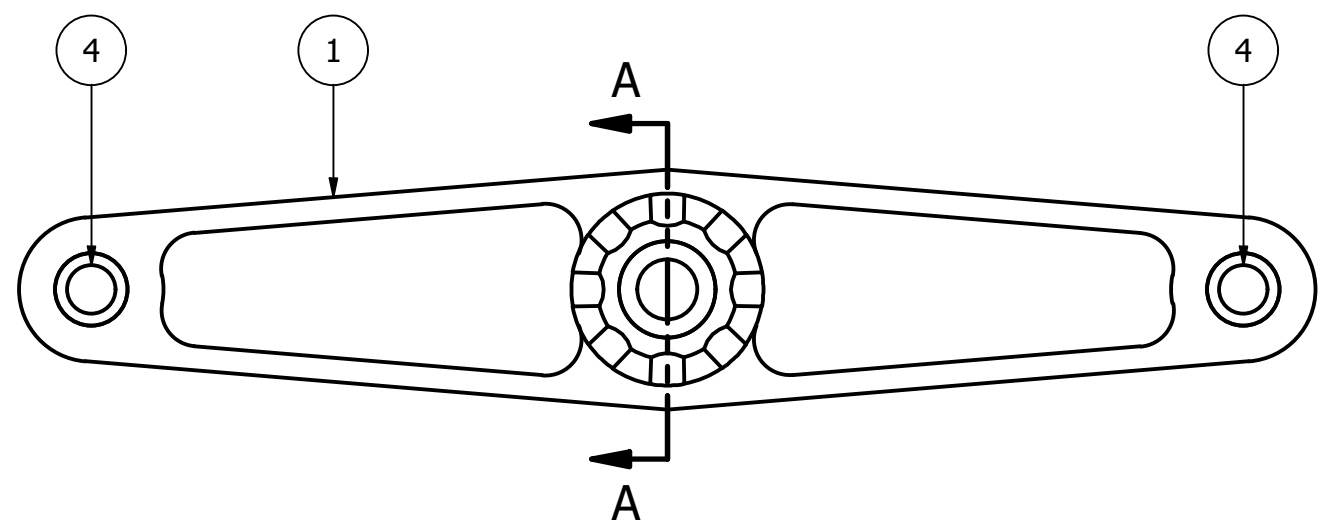
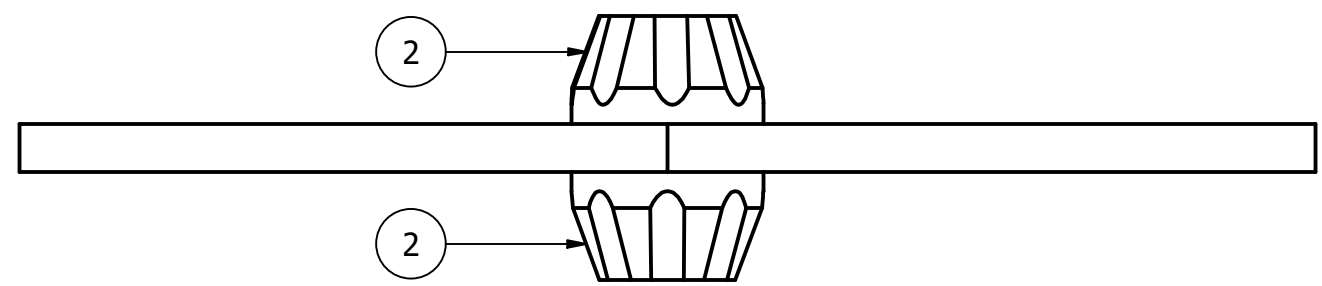


PARTS LIST			
ITEM	QTY	PART NUMBER	DESCRIPTION
1	1	Walking Beam	MATERIAL: 6061 AL
2	2	Spacer, Main Bearing	MATERIAL: 6061 AL
3	1	Pin - Walking Beam Assembly	Material: $\phi 3/32$ Roundstock (AL,Brass,crs)
4	2	Bearing, Sleeve, .250 ID x .375 OD x .25 THK	
5	1	Bearing, Sleeve, .313 ID x .500 OD x 1.375 THK	



SECTION A-A



Pin - Walking Beam Assembly

DRAWN Rob	6/19/2022	Chirico Engine Works		
CHECKED		TITLE		
QA		WALKING BEAM ASSEMBLY		
MFG		SIZE B	DWG NO Assy - Walking Beam	REV
APPROVED		SCALE	SHEET 1 OF 1	