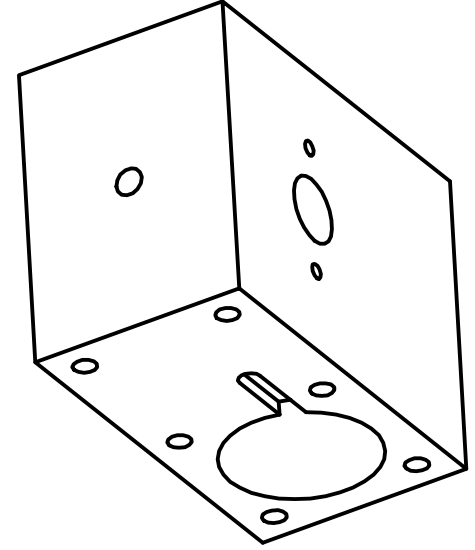
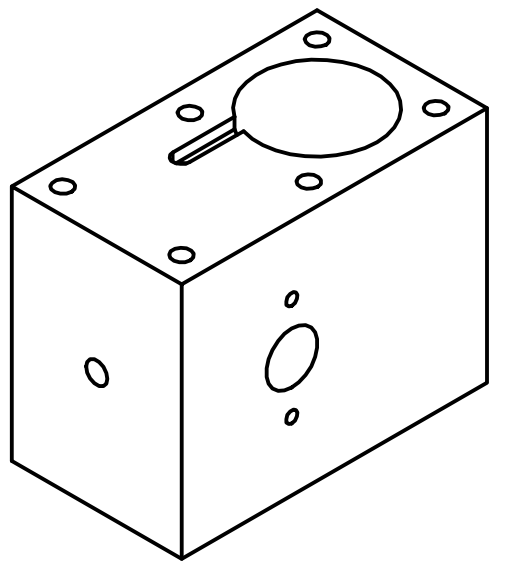
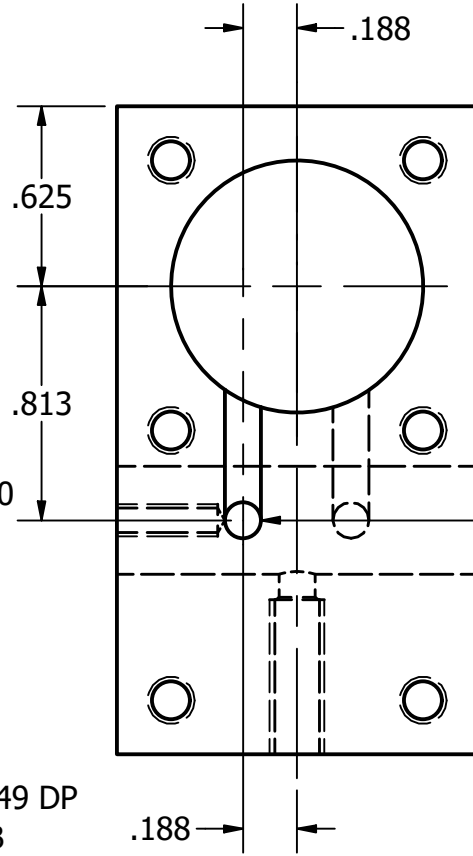
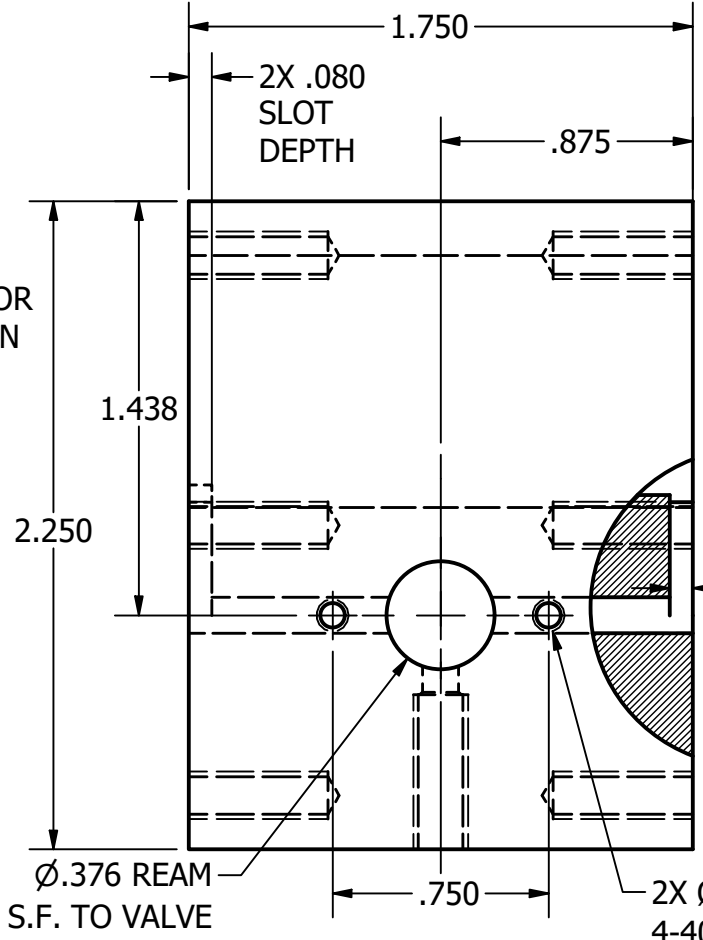
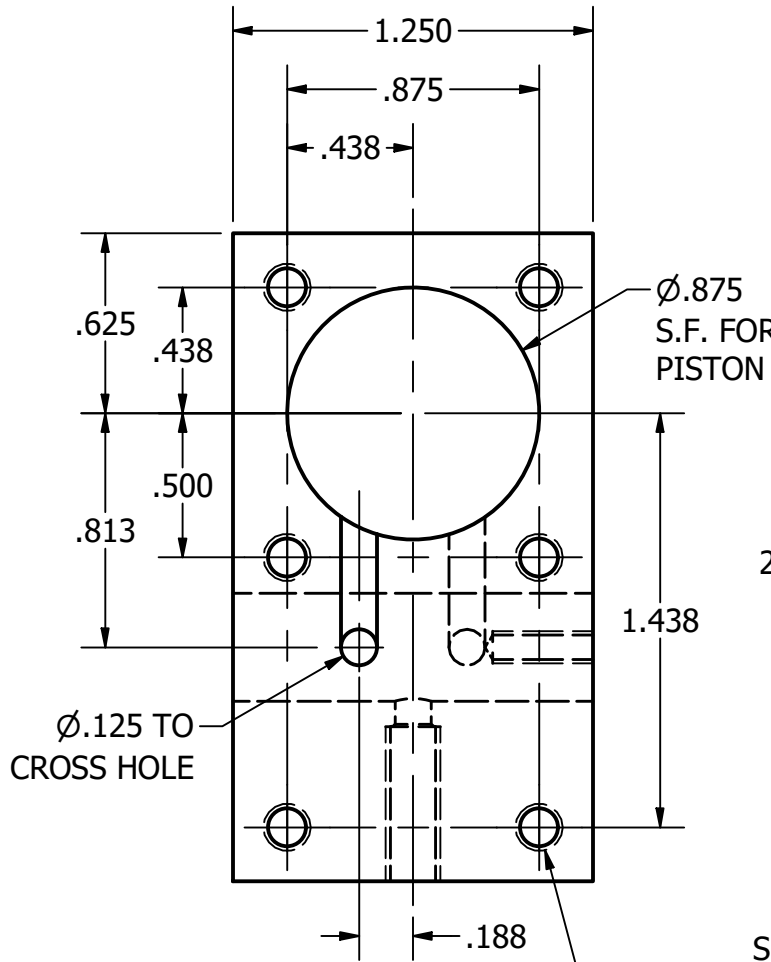
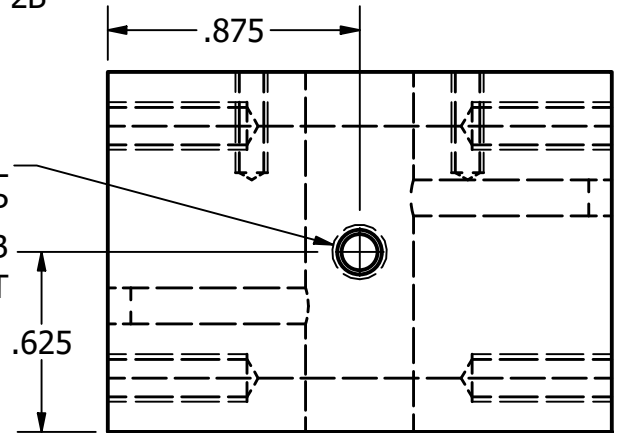


PARTS LIST			
ITEM	QTY	PART NUMBER	DESCRIPTION
1	1	Cylinder-01	Material: 6061 AL



6X 8-32 UNC - 2B
BOTH ENDS

Ø.125 TO CROSS DRILL
Ø.156 X .536 DP
10-32 UNF - 2B
SUPPLY PORT



DRAWN	4/3/2022	Chirico Engine Works	
Rob			
CHECKED		TITLE	
QA		Cylinder 01	
MFG			
APPROVED			
		SIZE	DWG NO
		B	Cylinder 01
		SCALE	REV