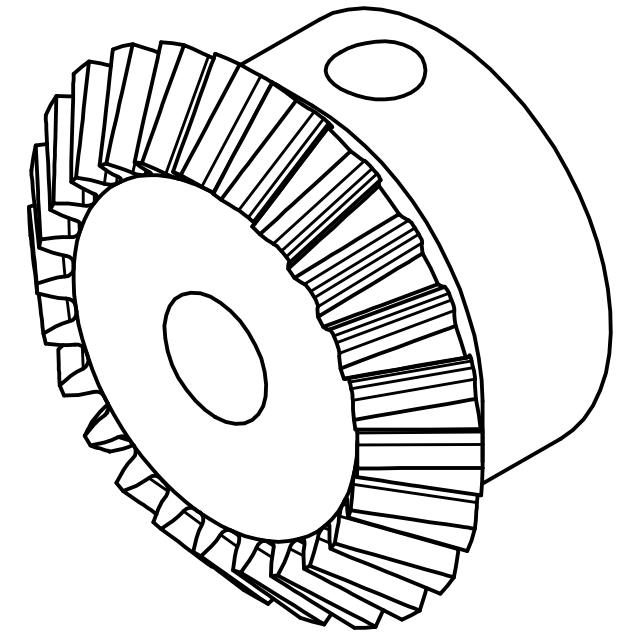
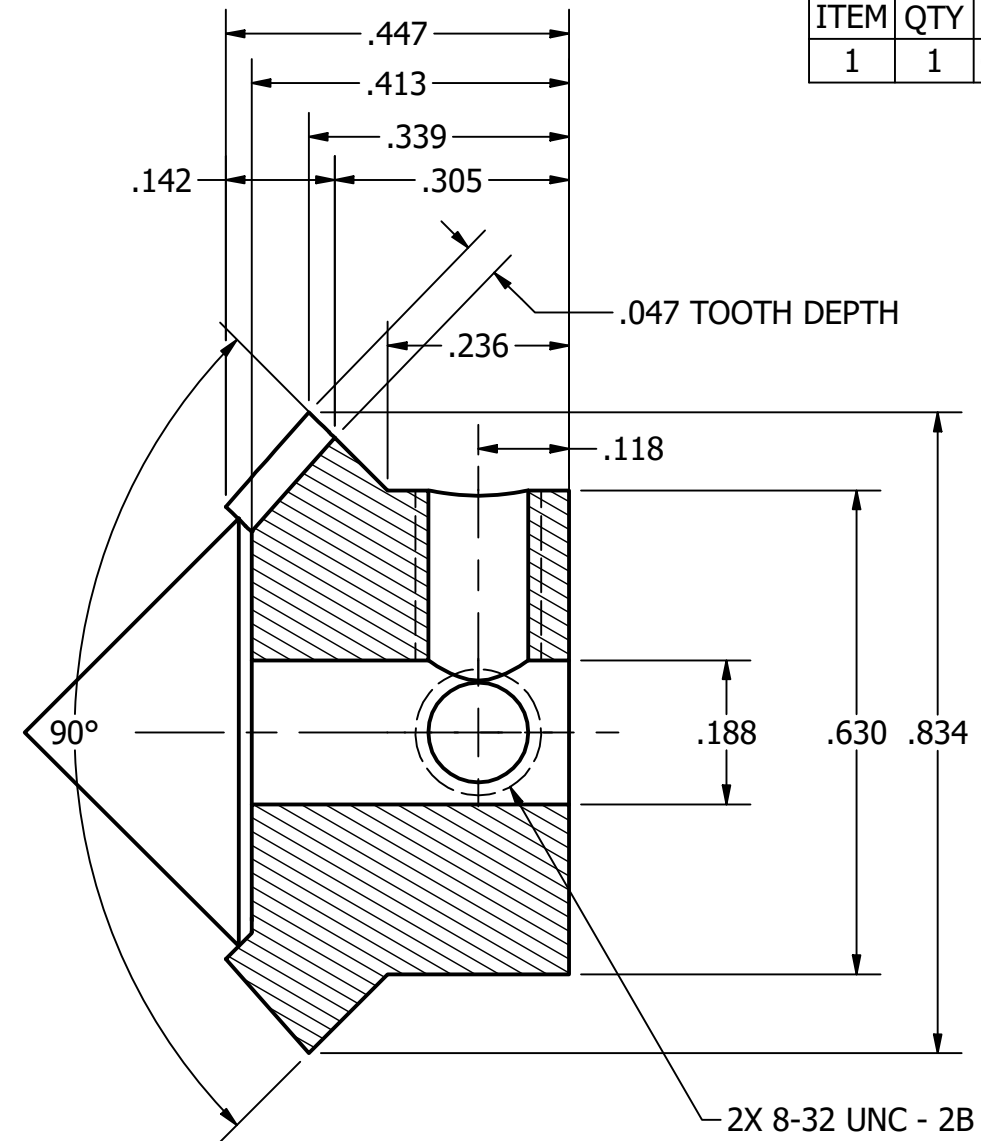
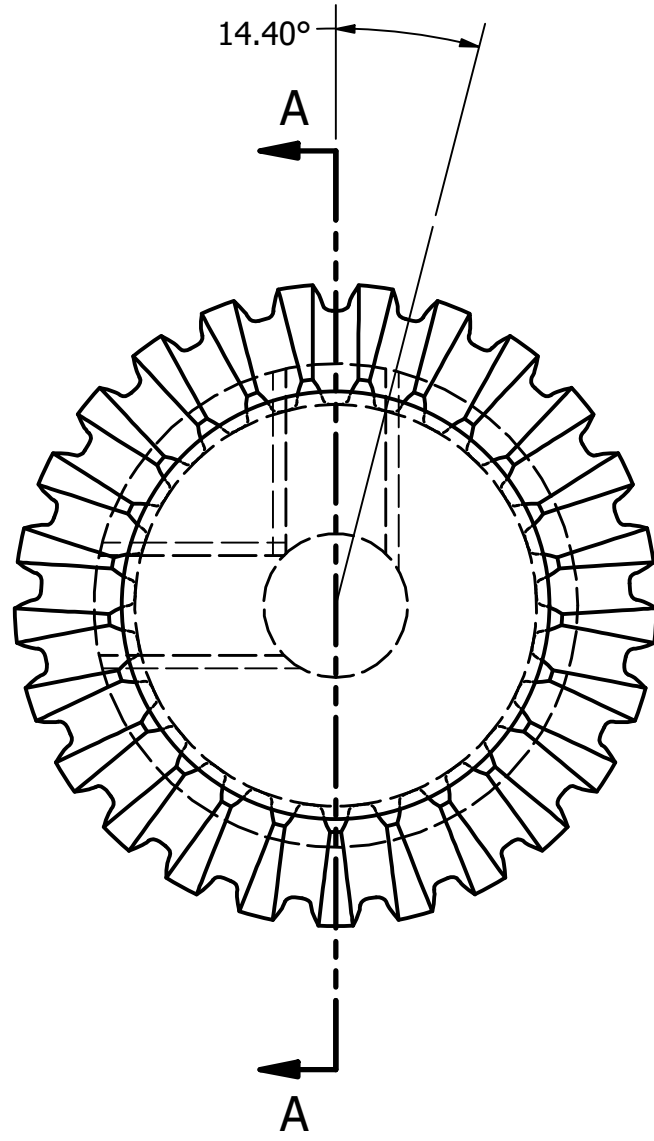


PARTS LIST			
ITEM	QTY	PART NUMBER	DESCRIPTION
1	1	Gear, Bevel, Cam Shaft	MATERIAL: 360 BRASS



SECTION A-A
2X 8-32 UNC - 2B
SPACED 90 DEG APART

DRAWN Rob	4/3/2022	Chirico Engine Works		
CHECKED				
QA		TITLE		
MFG		CAM BEVEL GEAR		
APPROVED		SIZE B	DWG NO	REV
			Gear, Bevel, Cam Shaft	
		SCALE	SHEET 1 OF 1	