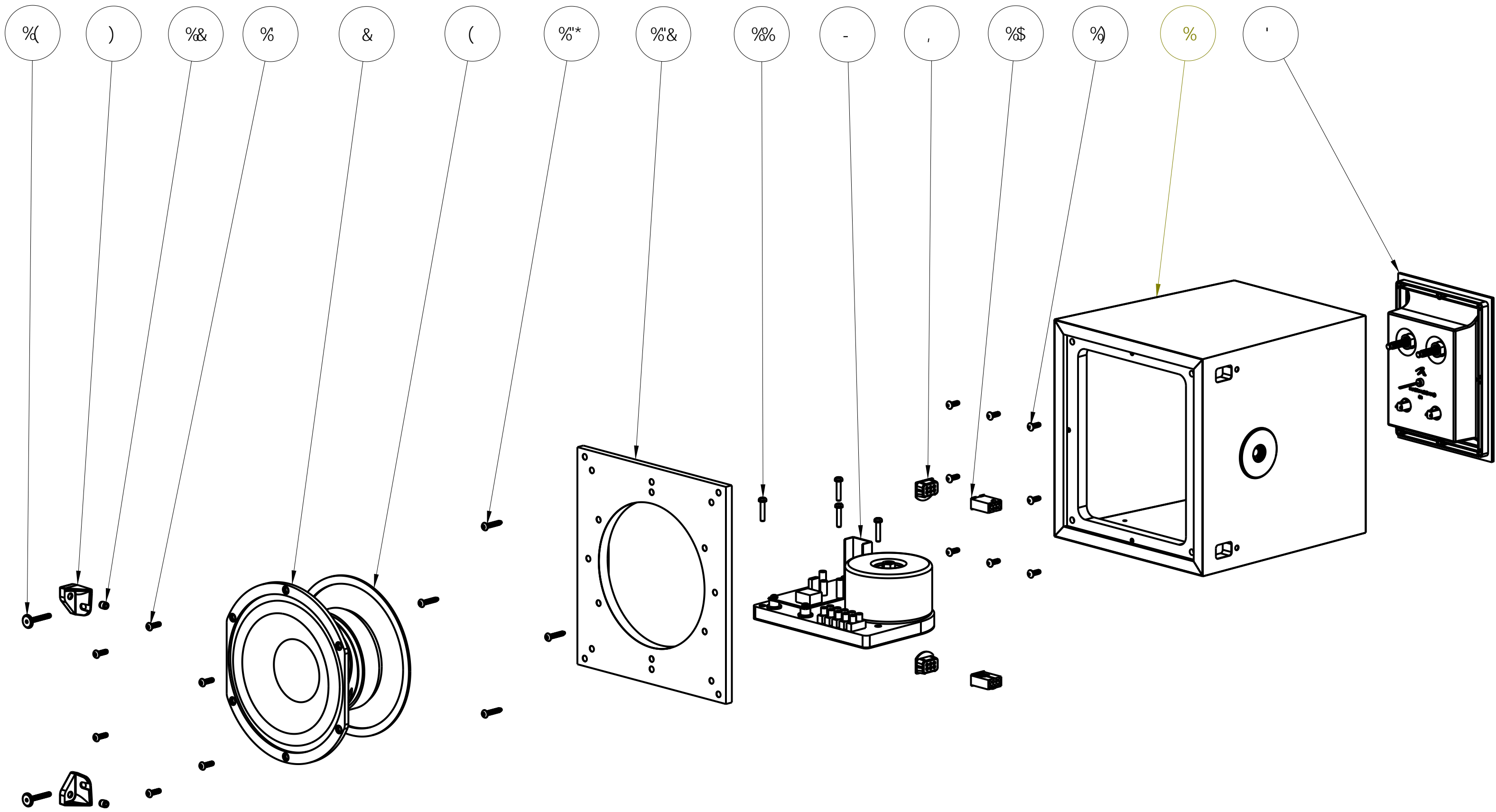


#DA BC"	D5FHBI A 69F	E HM
%	7 @ F, 7 UV]bYh@Zh5ggYa V'm	%
%&	7 @ F, 7 UV]bYh: fcbh	%
%*	A (1' &&a a 'G<7 K ccX GWYk 6i ftc b	(
&	7 @ F, K ccZYF57 € 7 ca a cb	%
'	7 @ F, 6UW_DUHY 5ggYa V'm	%
(7 @ F, ; Ug_YhK ccZYf	%
)	7 @ F, 6fX[Y'7cj YfA ci bh	%
,	7 @ F, K]Y; fca a Yh	&
-	7 @ F, 9YWfcbMgA ci bh]b[6cW_5ggYa V'm	%
-.	A' 1' % (a a 'DUB<YUX K ccX' GWYk	*
%\$	7 cbbYVhcb	&
%%	A (1' &\$a a 'DUB<YUX K ccX' GWYk	(
%&	A (1' +a a 'AcX' b' bgyfh	&
%	A (1' % (a a 'G<7 G6i ftc b	*
%{	A (1' \$a a 'G<7 G>76'	&
%}	A (1' ; a a 'G<7 DUg]WGWYk 6i ftc b	,



A	A 5FH B @C; 5B @X" &%%8Y Uk Ufy GfYYh @Jk fybWz?UbdJg **\$(*Z1 G5 D\cbY +,) "(- "\$% ' # U! '+) "(-)"' &\$: @B5A 9 7 @ F, 7 UV]bYh@ZhK]K 9YWFcbMg9 d cXYX 8F5K B. :>c\ b' GA' th 85H9. >Ub" %&\$&\$* I B @GG' C H: 9FK 69' GD97 ≠ 98 8-A 9B G€ BG 5F9-B A @@A 9HFG5B8 HC @F5B7 9G5F9. 897 A 5 @G' -" %) " 5B; @G' -") '\$ 8C ' BCH' G7 5 @ 8F5K B; A 5H@F -5@ : B G<. A @D5FH. F9J "\$\$\$ H: 9' B: CFA 5HCB '7 C BH5-B 98 'B' H: G 8F5K B: :G' H: 9CC @' DFC D' FHC :. A 5FH B @C; 5B 5BMF9DFC8I 7HCB 'B' D5FHC F' K < C @K +K CI HH 9K F #H B DFA GCB C: A 5FH B @C; 5B GDFC < 64H8"
B	
C	