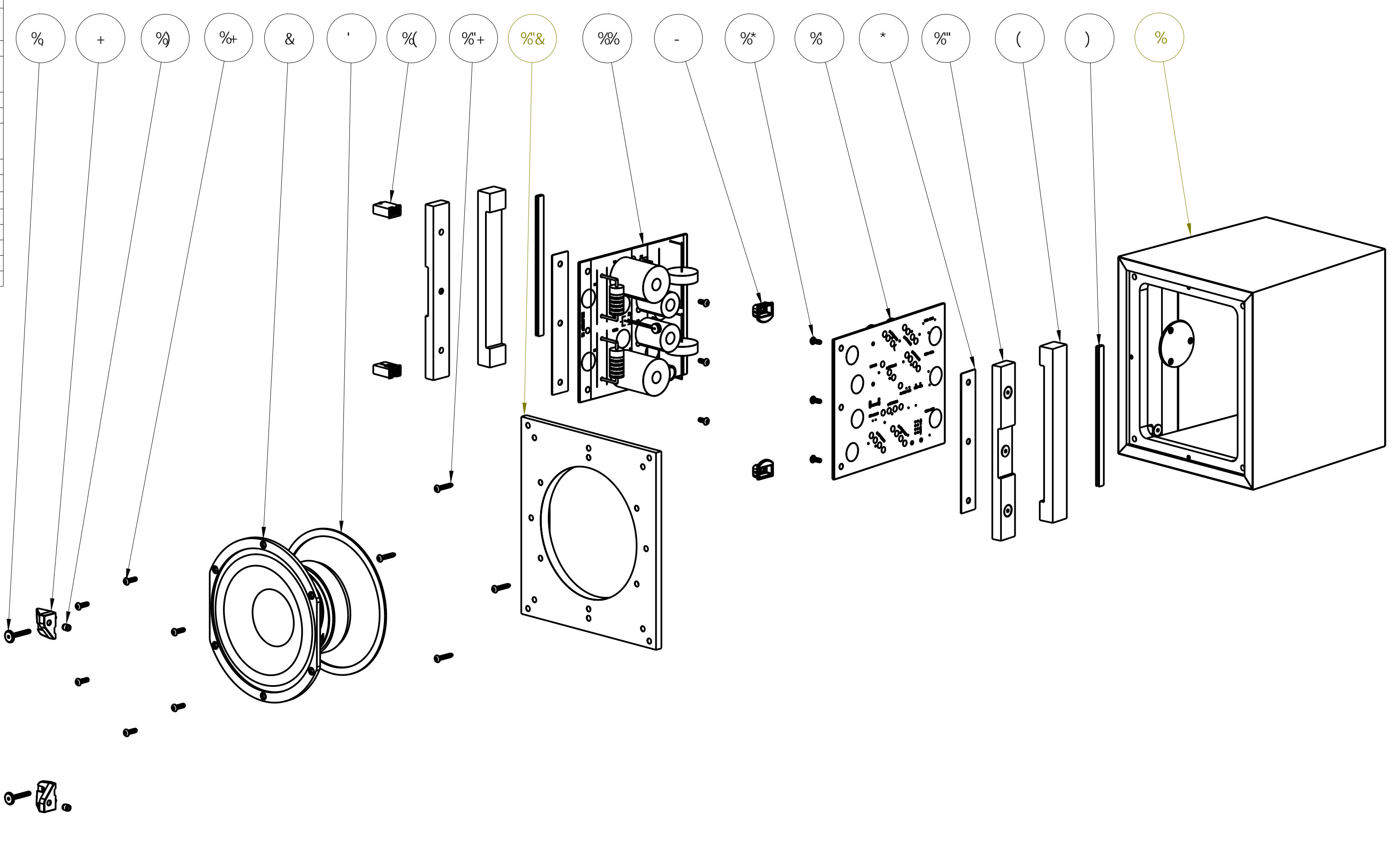


	%bW	&	()	*	+	,	-	%\$	%%	%&	%	%{	%}	%*	%+	%	%	&\$
5	#9A BC"	D5FHB5A 9	E HM																
	%	7 @ F, 7 UV]bYhF[\h	5ggYa Vm	%															
	%&	7 @ F, 7 UV]bYh: fcbh		%															
	%"	7 @ F, D7 6A ci bh[b[6cW_	&															
6	%+	"A (1'&&a a 'G<7 K ccX'	GNYk '6i Htc b	(
	&	7 @ F, K ccZf57 &	7 ca a cb	%															
	'	7 @ F, ; Ug_YhK ccZf		%															
7	(7 @ F, ; Ug_YhD7 6'	:cUa 'G ddcfh	&															
)	7 @ F, ; Ug_YhD7 6'9bX		&															
	*	7 @ F, ; Ug_YhD7 6		&															
8	+	7 @ F, '6fX[Y 7cj Yf	A ci bh	&															
	-	7 @ F, K]Y': fca a Yh		&															
	%&	67 @ F, 6D		%															
	%	67 @ F, <@		%															
	%{	7 cbbYVh]cb		&															
9	%}	A (1'+a a 'A cX' b'bgYfh		&															
	%"	A (1' %\$a a 'G<7 G6i Htc b		*															
	%+	A (1' %a a 'G<7 G6i Htc b		*															
	%	A (1' \$a a 'G<7 G>76'		&															



A 5FHB @C; 5B @X"
 &%%8Y Uk Ufy 'GfYYh
 @Jk fybWz?UbgJg
 **\$(*Zl G5
 D\cbY +,) "+(- "\$% ' #. Ul '+,)" +(-)"' &\$
 :@B5A 9.7 @F, 7 UV]bYhF[\hK # 9YWfcb]Mg9 d cXYX
8F5K B. >c\ b' G\c' h 85H9. >Ub" %&Z&\$S*
 I B @GG' C H: 9FK 49' GD97 = 98 8A 9B Gc BG
 5F9-B A @A 9HFG5B8 HC @F5B7 9G5F9.
 897 A 5 @G: -" %} " 5B; @G: -") S
 8C ' B C H' G7 5 @ 8F5K -B;
 A 5H@F -5@
 :B G<.
 A @D5FH. . F9J "" \$\$\$
 H: 9' -B: CFA 5HCB '7 CBH5-B98 'B 'H: G
 8F5K -B: -G H: 9CC @ 'DFC D'F HMC: '
A 5FHB @C; 5B 5BMF9DFC8I 7HCB 'B'
D5FHCF K <C @K #KCI Hk 9K F#H8
D9FA @GCB C: A 5FHB @C; 5B -GDFC <-6+H8"